



欧菱电梯配件

Ouling Elevator Components

2016



宁波欧菱电梯配件有限公司
Ningbo Ouling Elevator Components Co.,Ltd.

地址：中国·浙江 宁波市鄞州区东吴镇
Add: Dongwu Town Yinzhou District Ningbo City, Zhejiang, China

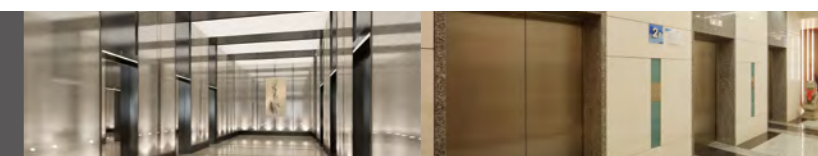
电话 / Tel: +86-574-28868671 28868672
传真 / Fax: +86-574-28868553 88489054

邮箱 / E-mail: nbouling@foxmail.com
网址 / Http://www.nbouling.com

本书为一般信息类出版物，我们保留随时更改产品设计和说明的权利。所有图片和颜色可能和实物有所不同，请以实物为准。
宁波欧菱电梯配件有限公司版权所有。

This manual is an ordinary information publications. We reserve the right to change the product design and instructions at any time. All the pictures and colors may be different from physical products, and in this case the physical objects shall prevail.

因为专业 所以卓越
OUTSTANDING SINCE
PROFESSIONAL



企业官网



微信公众号

OULING
Professional
Advantage

因为专业 所以卓越
Outstanding Since Professional

专业
优势

涉及领域 Product series

- ◎电梯轿厢、门机
- ◎层门装置、门扇
- ◎门套、地坎组件
- ◎安全部件

- ◎ Elevator car、Door operator
- ◎ Landing door device、Door panel
- ◎ Jamb、Sill and accessories
- ◎ Safety device



OULING
Enterprise
Philosophy

因为专业 所以卓越
Outstanding Since Professional

企业 理念

理念是欧菱人的核心思想，是欧菱的精神图腾。体现力臻完美，专注创新；诚心服务；精诚团结、和谐共赢；开拓进取，不断超越。

Eaterprise philosophy is the core thoughts of whole Ouling staff, and spiritual totem as well. It reflects striving for excellence focusing on innovation; sincere services; solidarity, co-win with harmony; forging ahead and continuously surpass.

◎企业宗旨：

因为专业，所以卓越

◎品牌理念：

力臻完美，精益求精，夯实品牌基石

◎管理理念：

以人为本，与时俱进，接轨时代步伐

◎技术理念：

永无止境，专注创新，创造独特价值

◎营销理念：

重诺守信，拓展价值，携手完美双赢

◎服务理念：

有求必应，以客为尊，服务尽善尽美

◎ Enterprise tenet:

Outstanding since professional

◎ Brand concept:

Aim at perfect, keep improving and take high class quality as the brand foundation.

◎ Management philosophy:

People oriented, keep pace with the times, integrating with modernization step.

◎ Technique concept:

Never end, devote to innovation, create unique value.

◎ Marketing philosophy:

Integrity first, expanding value, perfect win-win and hand in hand.

◎ Service concept:

Respect customers, do the best to solve any problem, service perfect.



OULING
Enterprise
Profile

因为专业 所以卓越
Outstanding Since Professional

企业 简介



欧菱总部

宁波欧菱电梯配件有限公司位于浙江省宁波市鄞州区东吴镇，从事电梯配件设计制造逾 20 年，积累了丰富的行业经验。公司主要生产电梯轿厢、门机、层门装置、门扇、门套、安全部件、各类客货梯地坎组件等系列产品以及其他电梯配件产品，其中门机、层门装置产品在国内市场占有率多年保持领先地位。

公司技术力量雄厚，管理体系完善，连续多年被行业相关部门评为用户满意服务单位；生产的门机、层门装置、安全部件等产品也连续多次被评为用户满意产品。近年来，研发成果斐然，共有 100 多项技术和产品获得国家专授权。公司先后被评为国家高新技术企业，市级工程技术中心、宁波市高成长企业、浙江省级专利示范企业；同时还连续多年入选了宁波市 50 佳及鄞州区 50 强企业。

Ningbo Ouling elevator components co., ltd. Located at dongwu town, yinzhou district, Ningbo, Zhejiang province, we are engaged in manufacturing elevator components for more than 20 years with rich experience. main products are: elevator car, door operators, landing door devices, door panel, jamb, safety devices, varied sill parts and other components.especially, door operators and landing door devices have kept leading market share for years.

Company has s strong technical force and complete management system. Company has been named as "customer satisfaction enterprise" by government department for several years, and our products are also named as "customer satisfaction products" many times. In recent years, we make rapid progress in research and development, We own more than 100 national patent, and many other honorary titles: "the National high and new technology enterprise", "Ningbo engineering technology center", "Ningbo high growth enterprise", "Zhejiang patent demonstration enterprise", "Top 50 enterprises of NINGBO" and "Top 50 enterprises of YINZHOU".



因为专业 所以卓越 Outstanding Since Professional

公司占地 150 余亩，建筑面积 8 万多平方米。拥有激光切割加工中心、智能焊接机器人、多工位加工中心、数控折弯机、大型级进式冲压设备、双闭式冲床、数控开槽机、自动化车削加工中心等多种先进的专业设备，具有年产门机 20 万台、层门 200 万套、安全部件 2 万套的年生产能力。

公司已与国内外 300 多家电梯制造商建立了长期合作关系，销售网络覆盖了国内主要的电梯生产聚集区域，除宁波本部外，在“电梯之乡”之称的浙江南浔建立了辐射长三角的销售物流中心，在华南、东北、华北设立销售分支机构，并拟以重庆为依托，建立辐射西南市场的销售公司。

公司始终坚持以科技创新为企业发展的动力，努力为客户提供高性价比的产品；为客户创造价值为己任，以诚信为先、服务至上的经营宗旨，竭诚为广大新老客户服务。



欧菱一区



欧菱二区

Company covers about 150mu (100,000square meters), building area covers 80,000square meters. There are: Laser cutting processing center, Automatic welding robot, multi position processing center, CNC bending machine, Large scale progressive stamping equipment, double closed punch press, CNC grooving machine, Automatic turning center, and other advanced professional equipments. annual production capacity is more than 200,000sets door operators, 2,000,000sets landing door devices and 20,000sets safety devices .

We have established long term business cooperation with about more than 300 domestic and overseas elevator companies. Our selling network covers almost all domestic lift industry areas. Except Ningbo headquarter, we have established selling logistics center in Nanxun, Zhejiang, to serve whole Yangtze River delta. We also have selling branches in Southern area of China, northeast area, Northern area of China. now we are planning to establish selling company in Chongqing city to enlarge and serve southwest selling market .

We are always insisting on technology innovation as driving force for enterprise development, devote to provide better products and better services; take responsibility of benefiting customers, to be honest, to be trustworthy, to do best to service all customers.



欧菱南浔厂区



欧菱南浔厂区

OULING
Qualification
Honor

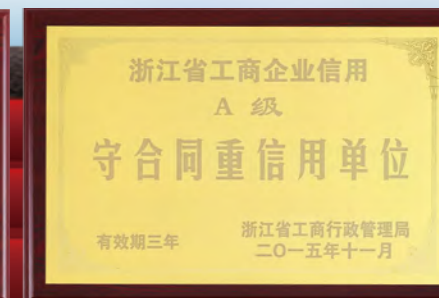
因为专业 所以卓越
Outstanding Since Professional

**资质
荣誉**

公司拥有 100 多项技术和产品获得国家专利授权、并先后荣获多年入选宁波市工业 50 强企业、高新技术企业、科技创新先进单位等各项荣誉。累累硕果见证了欧菱企业卓越实力，同时也展现了欧菱人敢于挑战创新，持续拼搏的精神。

We owns more than 100 national patents of the technologies and products , and we have been awarded a number of honorary titles such as "Ningbo Top 50 Industrial Enterprises", "High-tech Enterprise" and "Advanced Science and Technology Enterprise" in the past years. Fruitful achievements witness the remarkable strength of Ouling, and also demonstrate the spirit of Ouling's staff – dare to challenge, to innovate and struggle continuously.

二十多载磨砺 铸就欧菱品牌
Over two decades of efforts and hard work
achieve Ouling as a renowned brand



OULING
Enterprise
competent

因为专业 所以卓越
Outstanding Since Professional

**企业
实力**

- ◎ 激光切割加工中心
- ◎ Laser cutting processing center
- ◎ 自动焊接机器人
- ◎ Automatic welding robot
- ◎ 高速连续级进冲压设备
- ◎ High speed progressive stamping equipment
- ◎ 聚氨酯自动浇注流水线
- ◎ Automatic polyurethane pouring production line

公司拥有国内外高端研发生产设备，设备有激光切割加工中心、自动焊接机器人，高速连续级进冲压设备，聚氨酯自动浇注流水线等。在生产与研发上处于行业领先水平。先进的硬件设备实现了生产及研发的规范化。

The company has domestic and overseas high-end R&D and production equipments, including laser cutting processing center, automatic welding robots, high-speed progressive stamping equipment and automatic polyurethane casting lines, etc. It is playing a leading role in the industry production and R&D. Advanced hardware facilities ensure the standardization of production and R&D.



- ◎ 多工位转塔冲床 ◎ Multi position turret punch press
- ◎ 自动化装配流水线 ◎ Automatic assembly line
- ◎ 数控折弯机 ◎ CNC bending machine



因为专业 所以卓越
Outstanding Since Professional

门系统系列 Door System	01-04	◎ OMJ-16 中分交流永磁同步门机 2-Leafs Center Opening Permanent Magnet Synchronous Operator
	05-08	◎ OMJ-09X 中分三相变频异步门机 2-Leafs Center Opening VVVF Door Operator
	09-12	◎ OMJ-11X / 12X 中分交流永磁变频异步门机 2-Leafs Center Opening Permanent Magnet Asynchronous Door Operator
	13-14	◎ OMJ-01 / 01D 中分三相变频异步门机 2-Leafs Center Opening VVVF Door Operator
	15-16	◎ OMJ 系列客梯轿门、地坎、护脚板 Door Panel, Sill and Accessories for Door Operator
	17-18	◎ OCM01-B / H 中分式层门装置 (重锤式强迫关门) 2-Leafs Center Opening Landing Door Device(Common Weight Type)
	19-20	◎ OCM01-C / I 中分式层门装置 (拉簧式强迫关门) 2-Leafs Center Opening Landing Door Device(Common Spring Type)
	21-22	◎ OCM01-D 中分式层门装置 (重锤式强迫关门) 2-Leafs Center Opening Landing Door Device(Common Weight Type)
	23-24	◎ OCM01-BW 中分式层门装置 (重锤式强迫关门) 2-Leafs Center Opening Landing Door Device(Common Weight Type)
	25-26	◎ OCM01-BF 中分式层门装置 (防火型) 2-Leafs Center Opening Landing Door Device(Fireproof Type)
	27-30	◎ OCM 系列中分层门 / 门套 / 地坎 / 护脚板 Landing Door Panel / Jamb Sill / Apron and Accessories
	31-32	◎ OMJ-17 中分双折交流永磁同步门机 (轿架直梁安装) 4-Leafs Center Opening Permanent Magnet Synchronous Door Operator(Straight Beam Installation)
	33-34	◎ OMJ-17A 中分双折交流永磁同步门机 (轿顶安装) 4-Leafs Center Opening Permanent Magnet Synchronous Door Operator(Car Top Installation)
	35-38	◎ OCM-05 / 05A 中分双折层门装置 4-Leafs Center Opening Landing Door Device
	39-40	◎ OMJ-18 旁开双折交流永磁同步门机 (轿架直梁安装) 2-Leafs Side Opening Permanent Magnet Synchronous Door Operator(Straight Beam Installation)
	41-42	◎ OMJ-18A 旁开双折交流永磁同步门机 (轿顶安装) 2-Leafs Side Opening Permanent Magnet Synchronous Door Operator(Car Top Installation)
43-46	◎ OCM-02A / 06 旁开双折层门装置 2-Leafs Side Opening Landing Door Device	
47-50	◎ OMJ-19 旁开单折永磁同步门机 Single-Leaf Side Opening Permanent Magnet Synchronous Door Operator	
51-52	◎ OCM-19 旁开单折层门装置 Single-Leaf Side Opening Landing Door Device	

53-56	◎ OMJ-20 中分双折永磁同步门机 4-Leafs Center Permanent Magnet Synchronous Door Operator
57-58	◎ OCM-20 中分双折层门装置 4-Leafs Center Opening Landing Door Device
59-62	◎ OMJ-21 旁开双折永磁同步门机 2-Leafs Side Opening Permanent Magnet Synchronous Door Operator
63-64	◎ OMJ-22 旁开三折门机装置 3-Leafs Side Opening Door Operator
65-66	◎ OCM-22 旁开三折层门装置 3-Leafs Side Opening Landing Door Device
67-68	◎ OMJ-23 中分三折门机装置 6-Leafs Center Opening Door Operator
69-70	◎ OCM-23 中分三折层门装置 6-Leafs Center Opening Landing Door Device
71	◎ OMJ 客梯系列门机主要零部件 Components For Door
72	◎ OCM 客梯系列层门主要零部件 Components For Landing Door Device
73-74	◎ 货梯地坎系列 Sill Series

配件系列 Accessories	75-78	◎ 电梯配套件系列 Elevator Fittings Series
----------------------------	-------	---------------------------------------

安全部件系列 Safety Device	79-80	◎ XS240-A 防溜车型单向限速器 Non-Slip One-Way Governor
	81-82	◎ XS240 单向限速器 One-Way Governor
	83-84	◎ XS240W 单向无机房限速器 One-Way Machine Roomless Governor
	85-86	◎ XS260(XS260A) 双向限速器 Two-Way Governor
	87	◎ ZJ240 涨紧装置 Tensioning Device
	88	◎ ZJ240A 涨紧装置 Tensioning Device
	89	◎ ZJ240B 涨紧装置 Tensioning Device
	90	◎ ZJ260A(Φ200) ZJ260(Φ240) 涨紧装置 Tensioning Device

OMJ 系列

中分交流永磁同步门机

2-Leafs Center Opening Permanent Magnet Synchronous Operator



- 识别号: OMJ-16 (前壁门楣安装) OMJ-16A (轿顶安装) OMJ-16B (轿架直梁安装)
- 特征:
- 采用永磁同步电机, 额定转矩大, 效率高, 环保节能
 - 采用同步带直接传动, 无滑差, 无需润滑, 运行平稳噪音更低
 - 采用具有轿门锁功能的同步门刀, 实现门挂板上安装, 结构更紧凑
 - 采用全闭环控制技术, 安全可靠, 调试简便

- Serial NO: OMJ-16 (On Car Front-Wall Installation) OMJ-16A (Car Top Installation) OMJ-16B (Straight Beam Installation)
- Feature:
- With permanent magnet motor, wide torque range, high efficiency, environmental protection, energy saving
 - The synchronous belt drive directly, no slip, no lubrication, running smoothly in lower noise
 - The door is equipped with synchronous door vane with door lock function and can be installed on door hanger to make the structure more compact
 - Full-closed-loop control technology, safe, reliable and easy to adjust

主要附件图 / Accessories:

通用件 General Parts



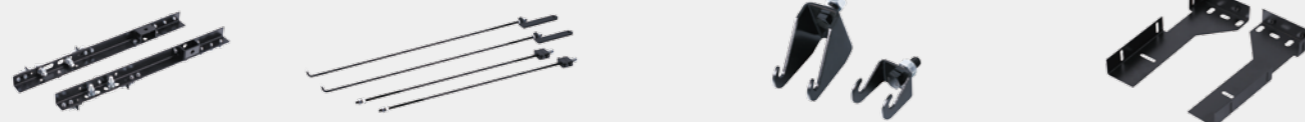
- 变频器 (可选) Inverter(optional) Drawing NO:NICE-D-A-SOP4-OL2
- AAD03040D
- IMS-DC20P2B1-A
- (带轿门锁) 同步门刀 (with door lock function) Synchronous door vane Drawing NO:OMJ16.2-01
- 门机小封包 Door operator fixings Drawing NO:OMJ16.3

前壁门楣安装 For Car Front-Wall Installation 轿顶安装 For Car Top Installation



- 门楣安装支架 Installation brackets Drawing NO:OMJ16-1
- 轿顶安装支架 Installation brackets Drawing NO:OMJ01-01/ OMJ01-02
- 轿顶安装 C 型管 (选配) Fixing pipe for car top installation(optional) Drawing NO:OMJ01-03
- 加强安装支架 Strengthened installation bracket Drawing NO:OMJ11-1B

轿架直梁安装 For Straight Beam Installation

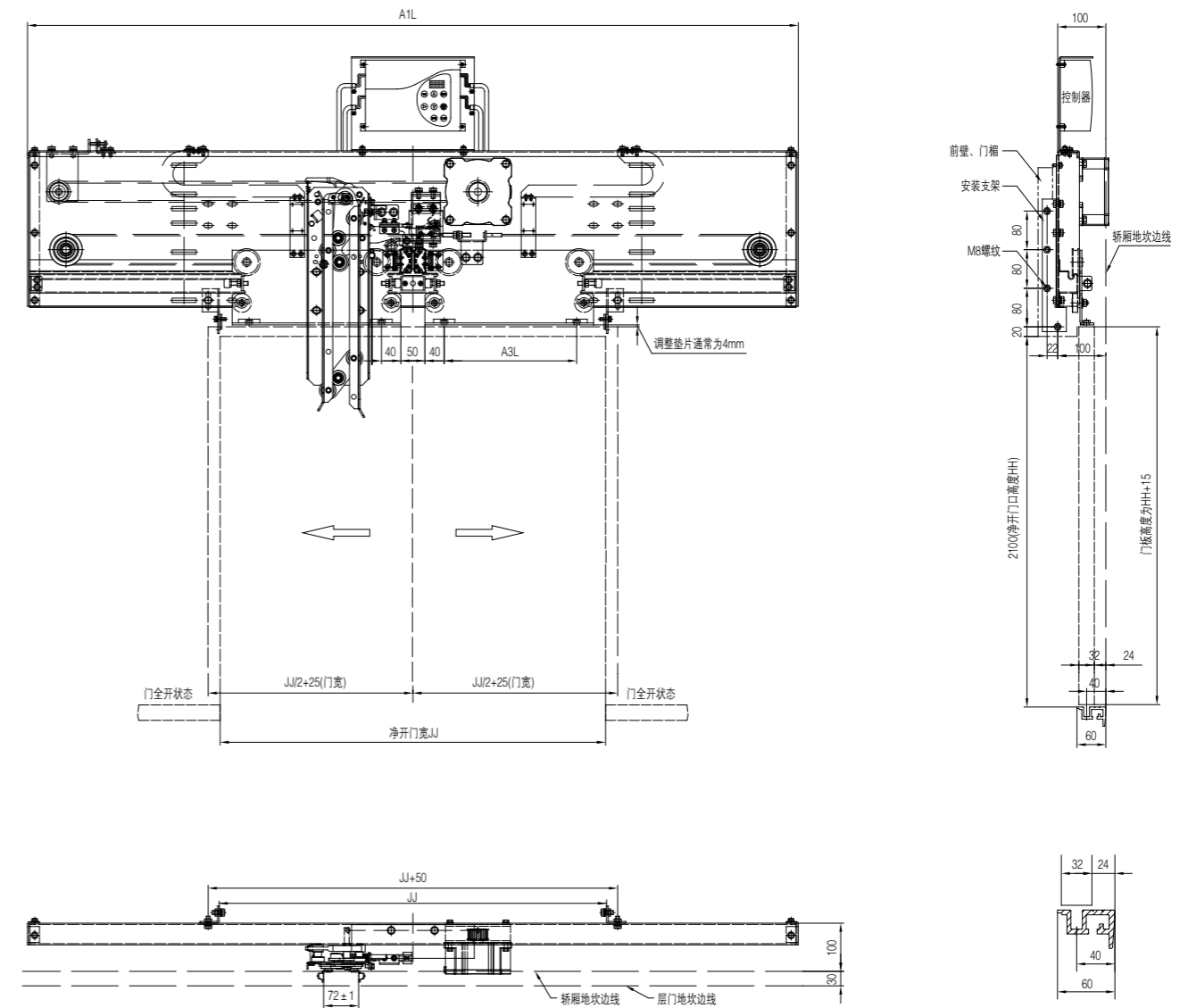


- 安装臂组件 Installation arm module Drawing NO:OMJ01.23D
- 直拉杆组件 / 长拉杆组件 Straight tie-rod module / long tie-rod module Drawing NO:OMJ01.25/OMJ01.24
- 大拉钩 / 小拉钩 Big pull hook / small pull hook Drawing NO:OMJ01.26/OMJ01.32
- 安装侧板组件 Side bracket for installation Drawing NO:OMJ16.1.11

OMJ 系列 中分交流永磁同步门机 (前壁门楣安装) 示意图

2-Leafs Center Opening Permanent Magnet Synchronous Operator (On Car Front-Wall Installation) Schematic Diagram

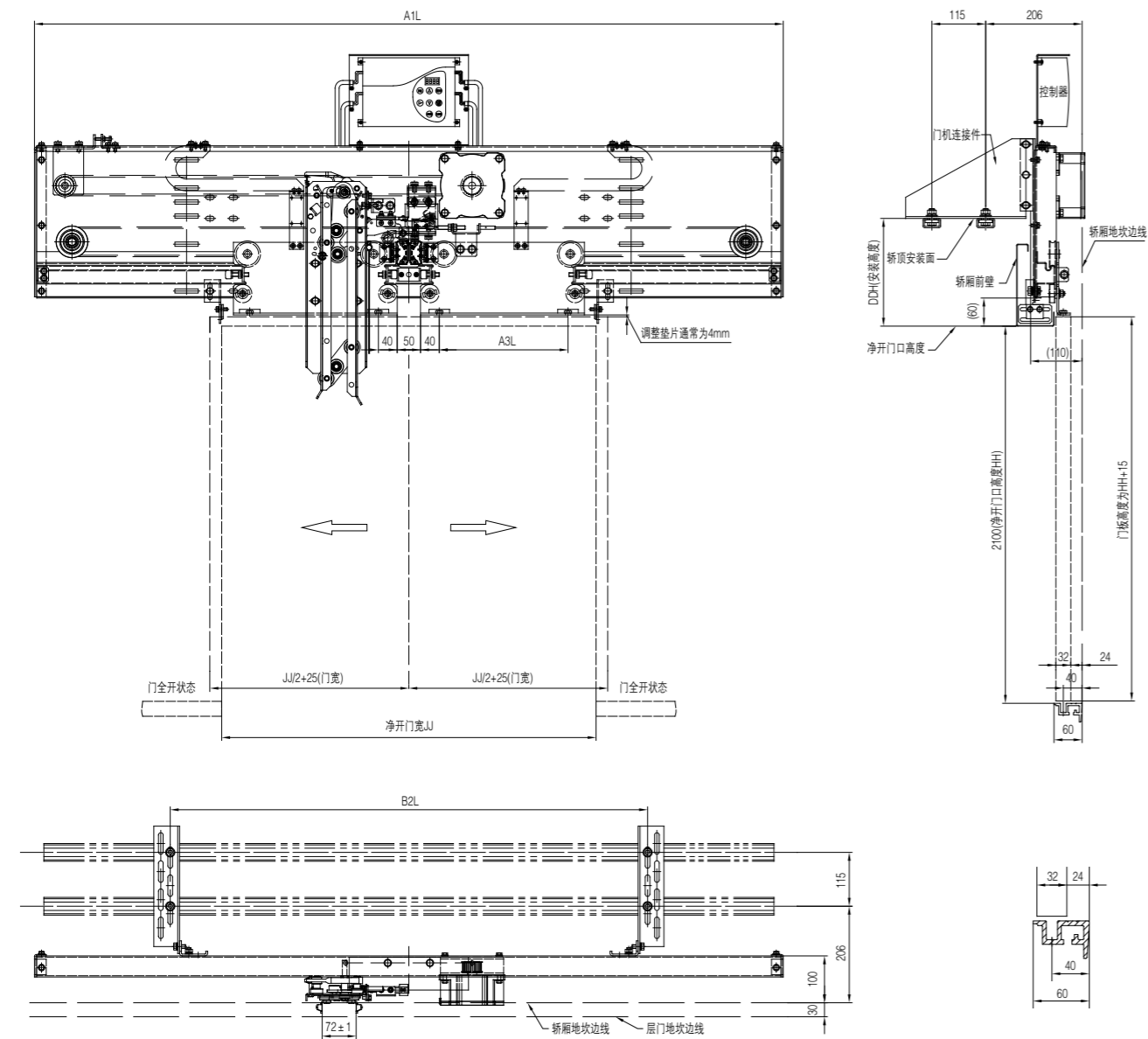
识别号: OMJ-16 (前壁门楣安装)
Serial NO: OMJ-16 (On Car Front-Wall Installation)



净开门宽 JJ	600	650	700	750	800	850	900	950	1000	1050	1100	1150	1200
A1L	1200	1300	1400	1500	1600	1700	1800	1900	2000	2100	2200	2300	2400
A3L	175	200	225	250	275	300	325	350	375	400	425	450	475

OMJ 系列 中分交流永磁同步门机 (轿顶安装) 示意图 2-Leafs Center Opening Permanent Magnet Synchronous Operator (Car Top Installation) Schematic Diagram

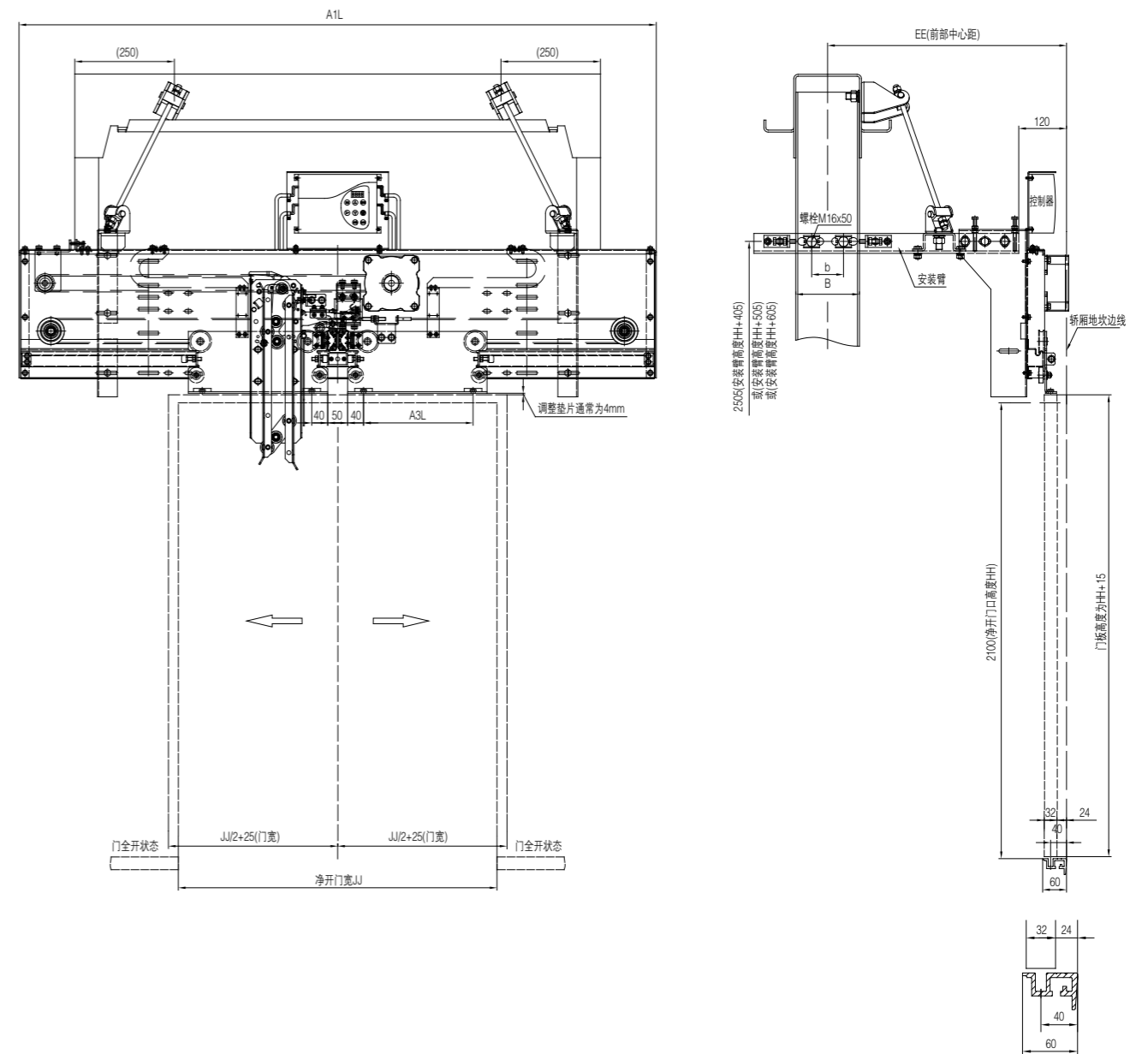
识别号: OMJ-16A (轿顶安装)
Serial NO: OMJ-16A (Car Top Installation)



净开门宽 JJ	600	650	700	750	800	850	900	950	1000	1050	1100	1150	1200
A1L	1200	1300	1400	1500	1600	1700	1800	1900	2000	2100	2200	2300	2400
A3L	175	200	225	250	275	300	325	350	375	400	425	450	475
B2L	820	870	920	970	1020	1070	1120	1170	1220	1270	1320	1370	1420

OMJ 系列 中分交流永磁同步门机 (轿架直梁安装) 示意图 2-Leafs Center Opening Permanent Magnet Synchronous Operator (Straight Beam Installation) Schematic Diagram

识别号: OMJ-16B (轿架直梁安装)
Serial NO: OMJ-16B (Straight Beam Installation)

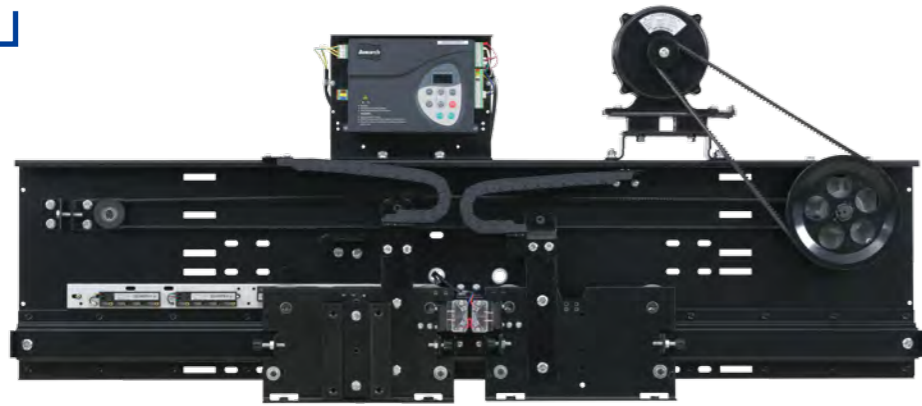


净开门宽 JJ	600	650	700	750	800	850	900	950	1000	1050	1100	1150	1200
A1L	1200	1300	1400	1500	1600	1700	1800	1900	2000	2100	2200	2300	2400
A3L	175	200	225	250	275	300	325	350	375	400	425	450	475

OMJ 系列

中分三相变频异步门机

2-Leafs Center Opening VVVF Door Operator



识别号: OMJ-09X (前壁门楣安装) OMJ-09XA (轿顶安装) OMJ-09XB (轿架直梁安装)

特征:
 ○采用同步带传动,无滑差,无需润滑,运行平稳噪音更低
 ○采用具有轿门开门限制功能的异步门刀,实现门挂板上安装
 ○采用 VVVF 变频控制技术,调试简便,安全可靠
 ○采用扁平型电机,S形压制导轨,结构更紧凑

Serial NO: OMJ-09X (On Car Front-Wall Installation) OMJ-09XA (Car Top Installation) OMJ-09XB (Straight Beam Installation)

Feature:
 ○ The synchronous belt drive directly, no slip, no lubrication, running smoothly in lower noise
 ○ The door is equipped with asynchronous vane with function of limiting car door opening and can be installed on door hanger plate
 ○ VVVF control system, safe, reliable, easy to adjust
 ○ Flat shape motor, S-shaped guide rail, more compact structure

主要附件图 / Accessories:

通用件 General Parts

变频器 (可选) Inverter(optional)
Drawing NO:NICE-D-A-SOP4-OL2

AAD03040D

FCNA1010

门刀组件
Door vane module
Drawing NO:OMJ09.2

门机小封包
Door operator fixings
Drawing NO:OMJ01.34

前壁门楣安装 For Car Front-Wall Installation **轿顶安装 For Car Top Installation**

门楣安装支架
Installation brackets
Drawing NO:OMJ16-1

轿顶安装支架
Installation brackets
Drawing NO:OMJ01-01/OMJ01-02

轿顶安装 C 型管 (选配)
Fixing pipe for car top installation(optional)
Drawing NO:OMJ01-03

加强安装支架
Strengthened installation bracket
Drawing NO:OMJ11-1B

轿架直梁安装 For Straight Beam Installation

安装臂组件
Installation arm module
Drawing NO:OMJ01.23D

直拉杆组件 / 长拉杆组件
Straight tie-rod module / long tie-rod module
Drawing NO:OMJ01.25/OMJ01.24

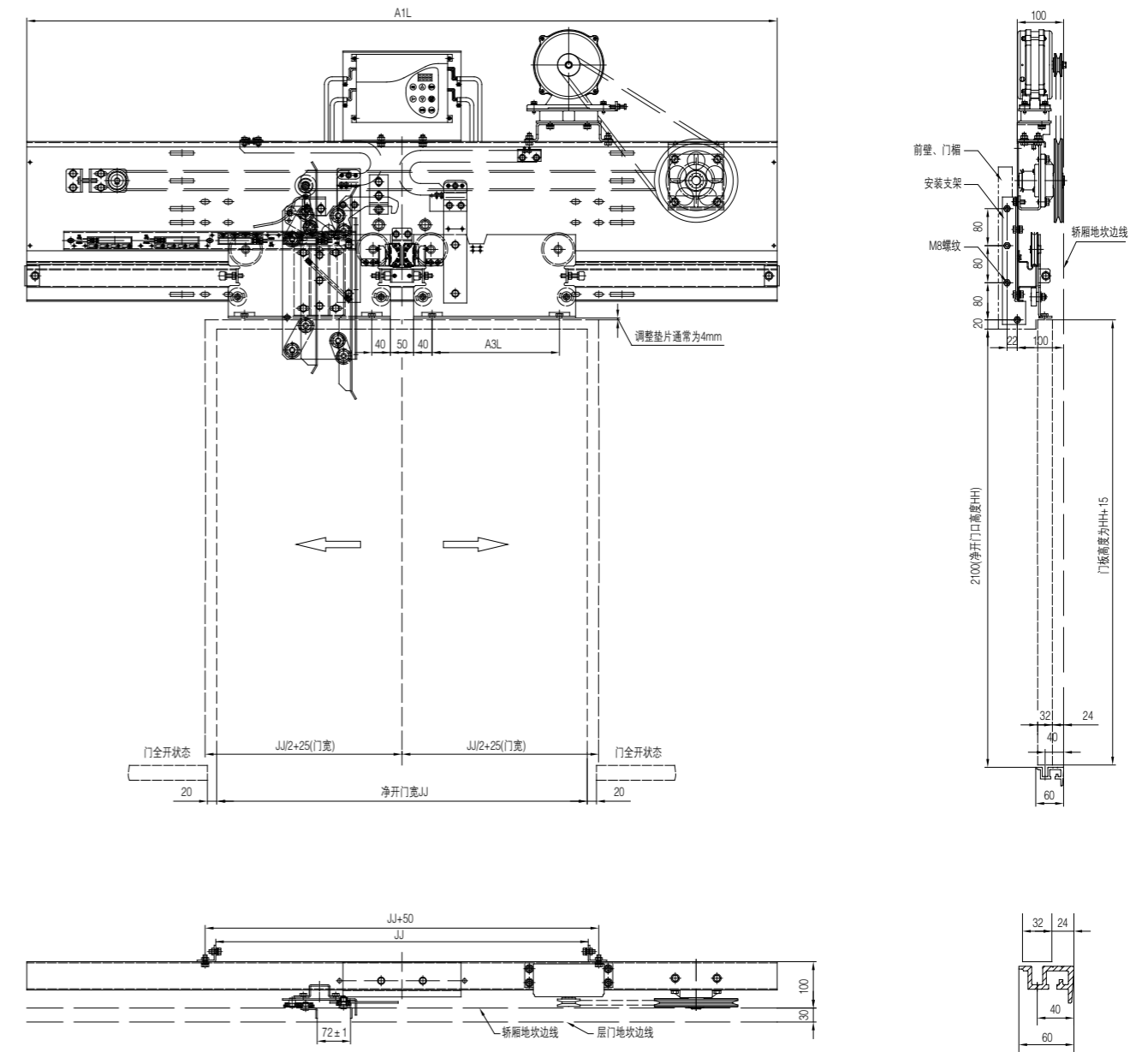
大拉钩 / 小拉钩
Big pull hook / small pull hook
Drawing NO:OMJ01.26/OMJ01.32

安装侧板组件
Side bracket for installation
Drawing NO:OMJ01.7

OMJ 系列 中分三相变频异步门机 (前壁门楣安装) 示意图

2-Leafs Center Opening VVVF Door Operator (On Car Front-Wall Installation) Schematic Diagram

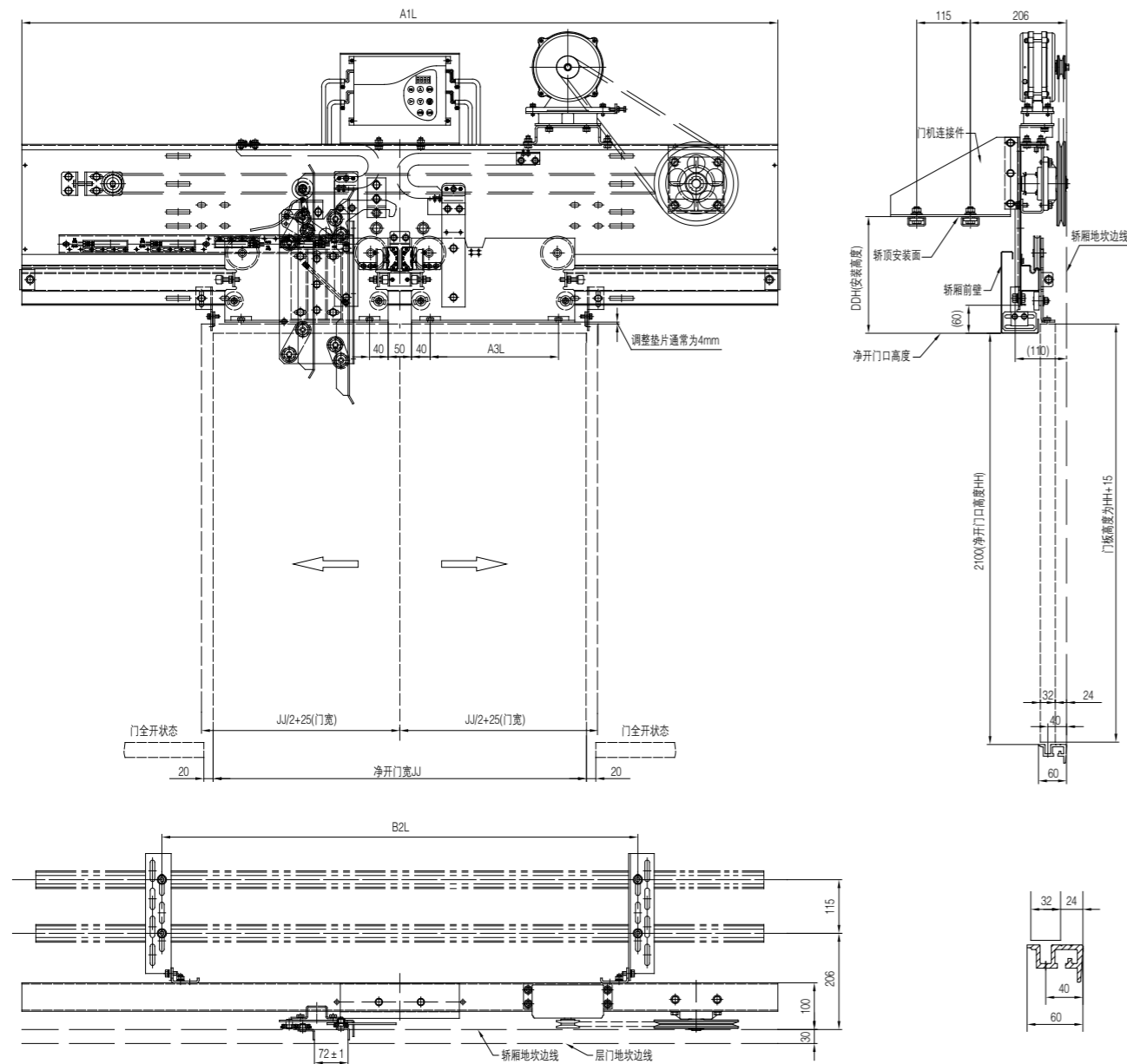
识别号: OMJ-09X (前壁门楣安装)
Serial NO: OMJ-09X (On Car Front-Wall Installation)



净开门宽 JJ	650	700	750	800	850	900	950	1000	1050	1100	1150	1200
A1L	1320	1420	1520	1620	1720	1820	1920	2020	2120	2220	2320	2420
A3L	200	225	250	275	300	325	350	375	400	425	450	475

OMJ 系列 中分三相变频异步门机 (轿顶安装) 示意图
 2-Leafs Center Opening VVVF Door Operator (Car Top Installation)
 Schematic Diagram

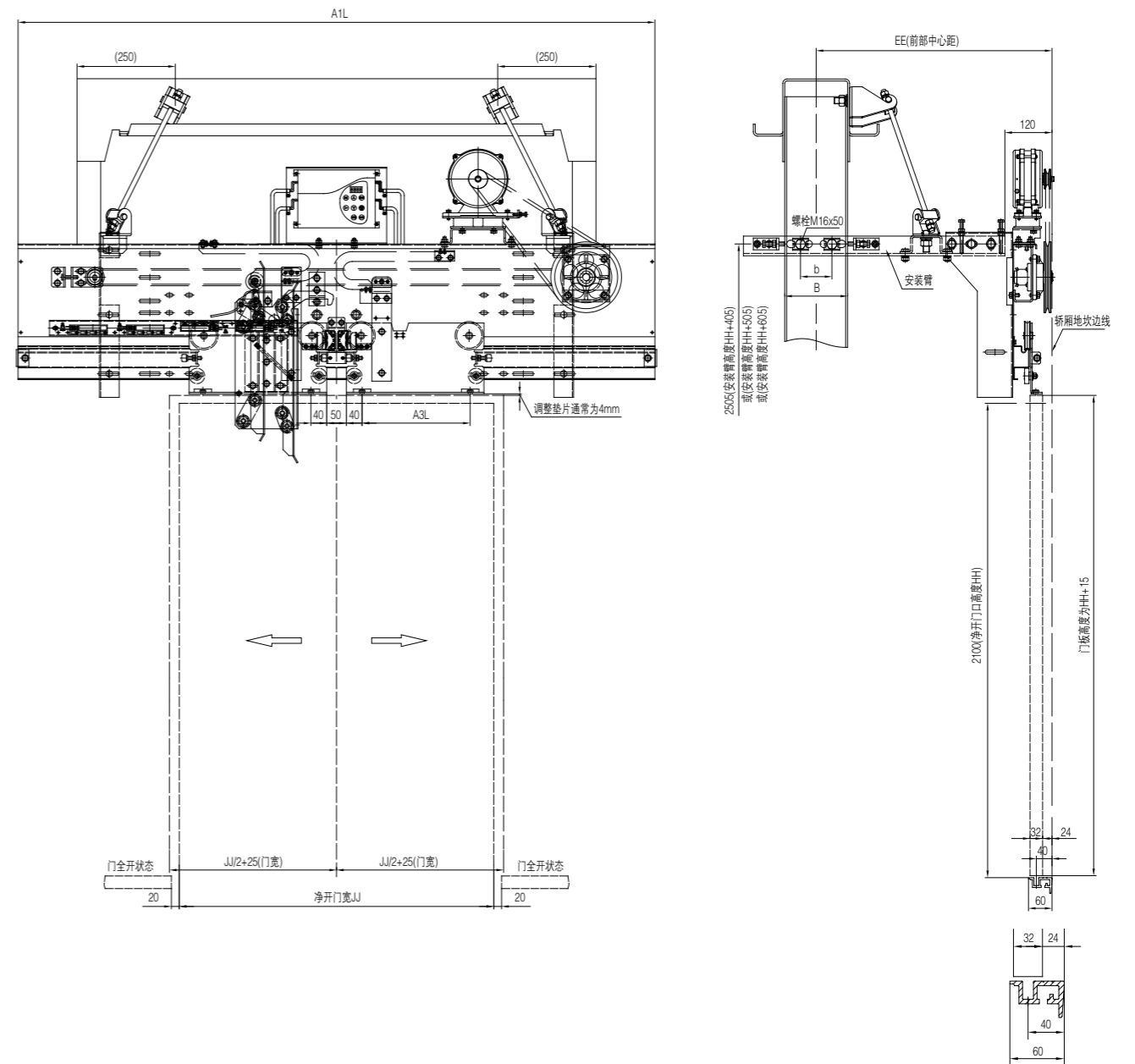
识别号: OMJ-09XA (轿顶安装)
 Serial NO: OMJ-09XA (Car Top Installation)



净开门宽 JJ	650	700	750	800	850	900	950	1000	1050	1100	1150	1200
A1L	1320	1420	1520	1620	1720	1820	1920	2020	2120	2220	2320	2420
A3L	200	225	250	275	300	325	350	375	400	425	450	475
B2L	870	920	970	1020	1070	1120	1170	1220	1270	1320	1370	1420

OMJ 系列 中分三相变频异步门机 (轿架直梁安装) 示意图
 2-Leafs Center Opening VVVF Door Operator (Straight Beam Installation)
 Schematic Diagram

识别号: OMJ-09XB (轿架直梁安装)
 Serial NO: OMJ-09XB (Straight Beam Installation)



净开门宽 JJ	650	700	750	800	850	900	950	1000	1050	1100	1150	1200
A1L	1320	1420	1520	1620	1720	1820	1920	2020	2120	2220	2320	2420
A3L	200	225	250	275	300	325	350	375	400	425	450	475

OMJ 系列

中分交流永磁变频异步门机

2-Leafs Center Opening Permanent Magnet Asynchronous Door Operator



- 识别号: OMJ-11X / 12X (前壁门楣安装) OMJ-11XA / 12XA (轿顶安装) OMJ-11XB / 12XB (轿架直梁安装)
 OMJ-11X 系列喷塑钢板 OMJ-12X 系列镀锌钢板
- 特征:
 ●采用永磁同步电机, 额定转矩大, 效率高, 环保节能
 ●采用同步带直接传动, 无滑差, 无需润滑, 运行平稳噪音更低
 ●采用具有轿门开门限制功能的异步门刀, 实现门挂板上安装
 ●采用全闭环控制技术, 调试简便, 安全可靠
- Serial NO: OMJ-11X / 12X (On Car Front-Wall Installation) OMJ-11XA / 12XA (Car Top Installation) OMJ-11XB / 12XB (Straight Beam Installation)
 OMJ-11X (Spray Paint Material) OMJ-12X (Zinc-Plated Material)
- Feature:
 ● With permanent magnet motor, wide torque range, high efficiency, environmental protection, energy saving
 ● The synchronous belt drive directly, no slip, no lubrication, running smoothly in lower noise
 ● The car is equipped with asynchronous vane with function of limiting car door opening and can be installed on door hanger
 ● Full-closed-loop control technology, safe, reliable and easy to adjust

主要附件图 / Accessories:

通用件 General Parts

变频器 (可选) Inverter(optional)
Drawing NO:NICE-D-A-SOP4-OL2

AAD03040D

IMS-DC20P2B1-A

门刀组件
Door vane module
Drawing NO:OMJ09.2

门机小封包
Door operator fixings
Drawing NO:OMJ01.34

前壁门楣安装 For Car Front-Wall Installation

门楣安装支架
Installation brackets
Drawing NO:OMJ16-1

轿顶安装支架
Installation brackets
Drawing NO:OMJ01-01/ OMJ01-02

轿顶安装 C 型管 (选配)
Fixing pipe for car top installation(optional)
Drawing NO:OMJ01-03

加强安装支架
Strengthened installation bracket
Drawing NO:OMJ11-1B

轿架直梁安装 For Straight Beam Installation

安装臂组件
Installation arm module
Drawing NO:OMJ01.23D

直拉杆组件 / 长拉杆组件
Straight tie-rod module / long tie-rod module
Drawing NO:OMJ01.25/OMJ01.24

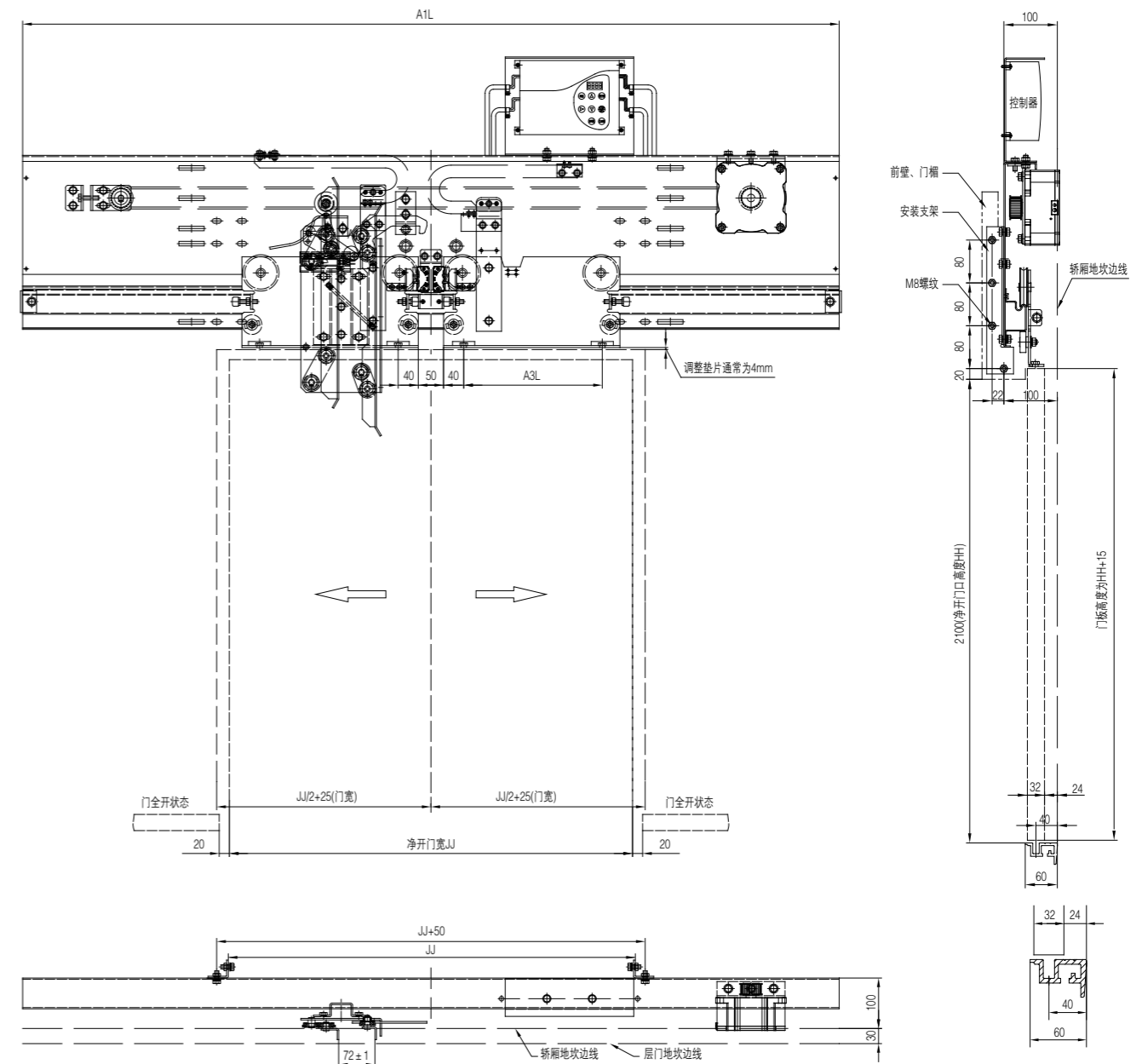
大拉钩 / 小拉钩
Big pull hook / small pull hook
Drawing NO:OMJ01.26/OMJ01.32

安装侧板组件
Side bracket for installation
Drawing NO:OMJ01.7

OMJ 系列 中分交流永磁变频异步门机 (前壁门楣安装) 示意图

2-Leafs Center Opening Permanent Magnet Asynchronous Door Operator (On Car Front-Wall Installation) Schematic Diagram

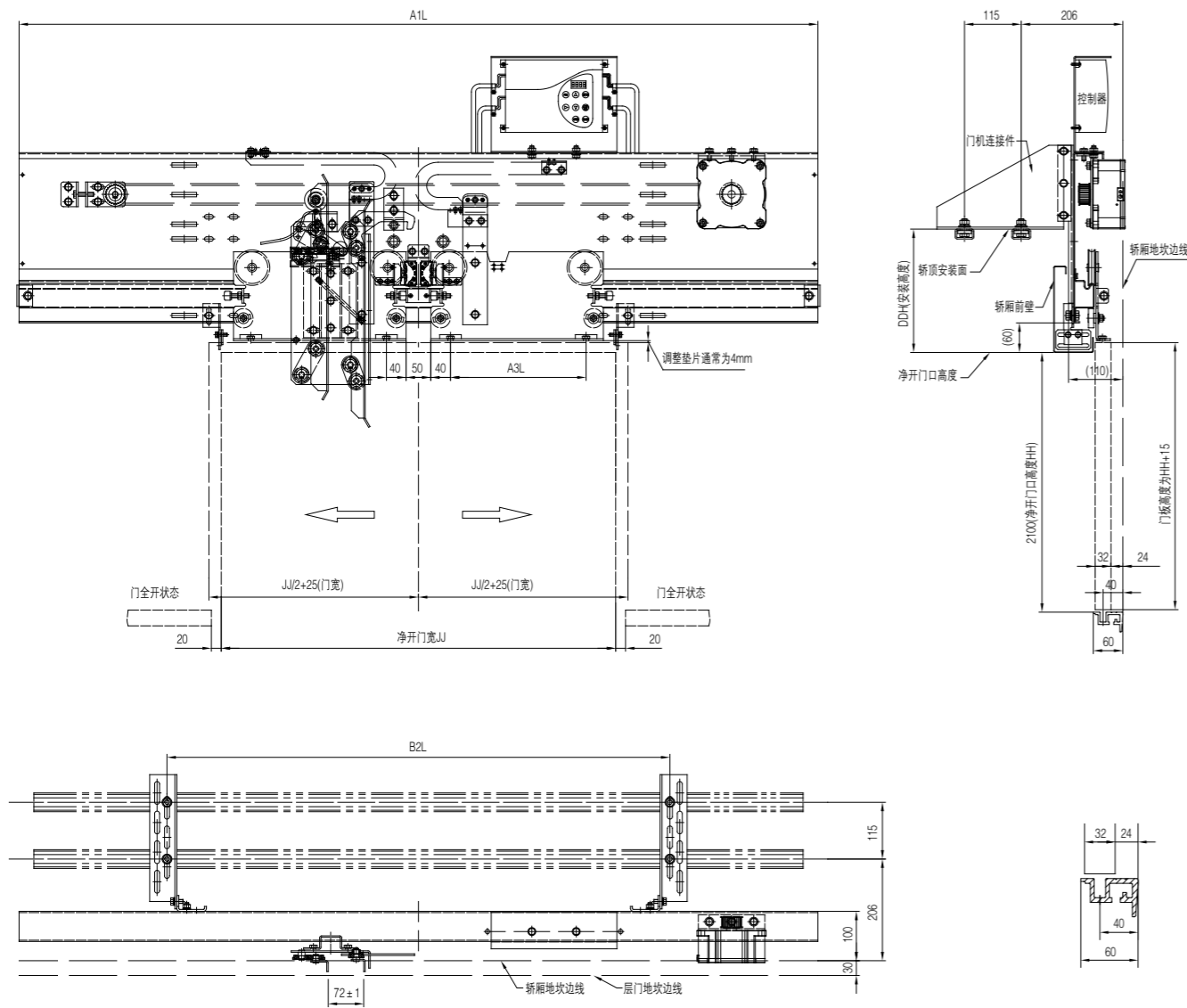
识别号: OMJ-11X / 12X (前壁门楣安装)
 Serial NO: OMJ-11X / 12X (On Car Front-Wall Installation)



净开门宽 JJ	650	700	750	800	850	900	950	1000	1050	1100	1150	1200
A1L	1320	1420	1520	1620	1720	1820	1920	2020	2120	2220	2320	2420
A3L	200	225	250	275	300	325	350	375	400	425	450	475

OMJ 系列 中分交流永磁变频异步门机 (轿顶安装) 示意图
 2-Leafs Center Opening Permanent Magnet Asynchronous Door Operator
 (Car Top Installation) Schematic Diagram

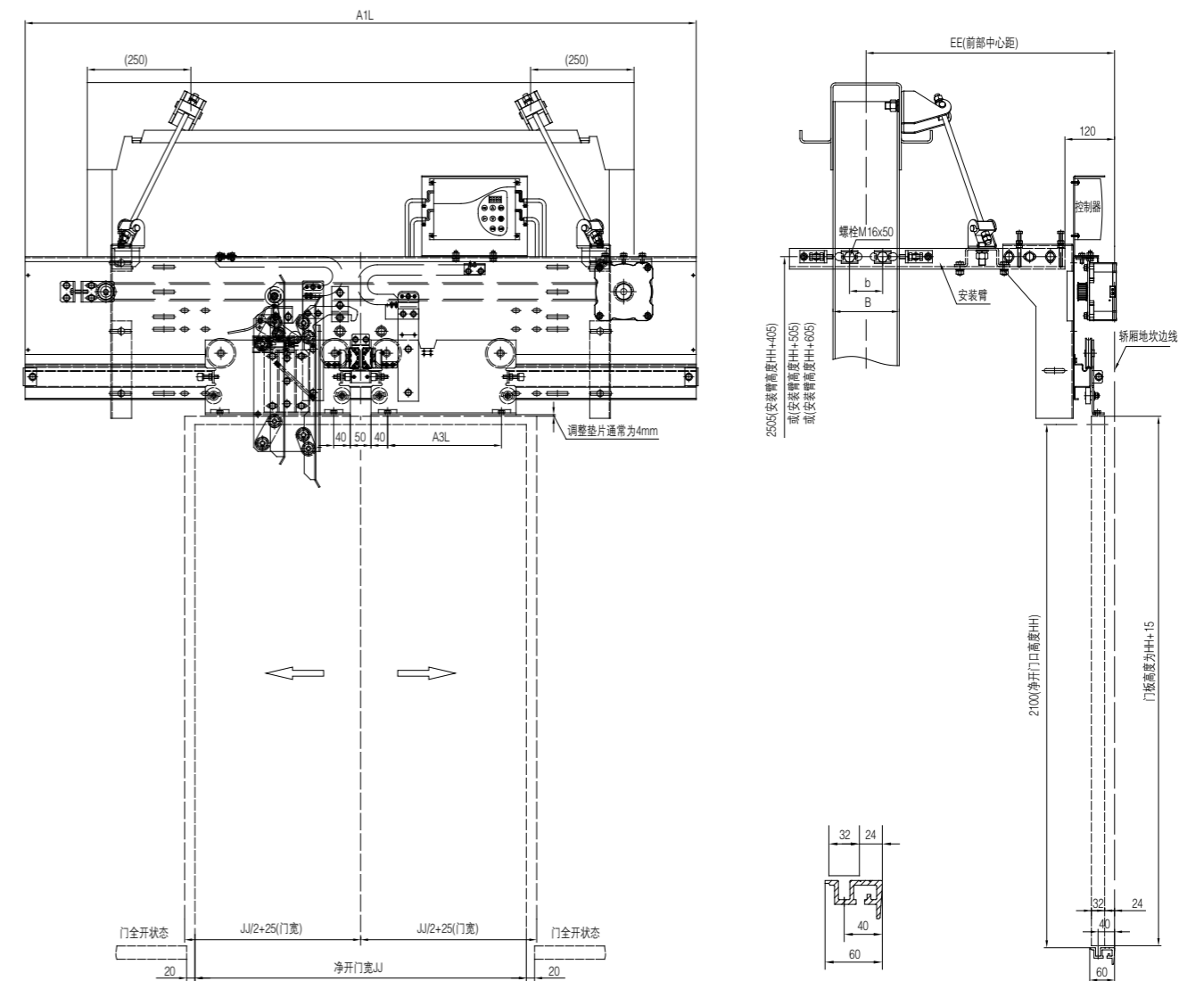
识别号: OMJ-11XA /12XA (轿顶安装)
 Serial NO: OMJ-11XA /12XA (Car Top Installation)



净开门口宽 JJ	650	700	750	800	850	900	950	1000	1050	1100	1150	1200
A1L	1320	1420	1520	1620	1720	1820	1920	2020	2120	2220	2320	2420
A3L	200	225	250	275	300	325	350	375	400	425	450	475
B2L	870	920	970	1020	1070	1120	1170	1220	1270	1320	1370	1420

OMJ 系列 中分交流永磁变频异步门机 (轿架直梁安装) 示意图
 2-Leafs Center Opening Permanent Magnet Asynchronous Door Operator
 (Straight Beam Installation) Schematic Diagram

识别号: OMJ-11XB /12XB (轿架直梁安装)
 Serial NO: OMJ-11XB /12XB (Straight Beam Installation)

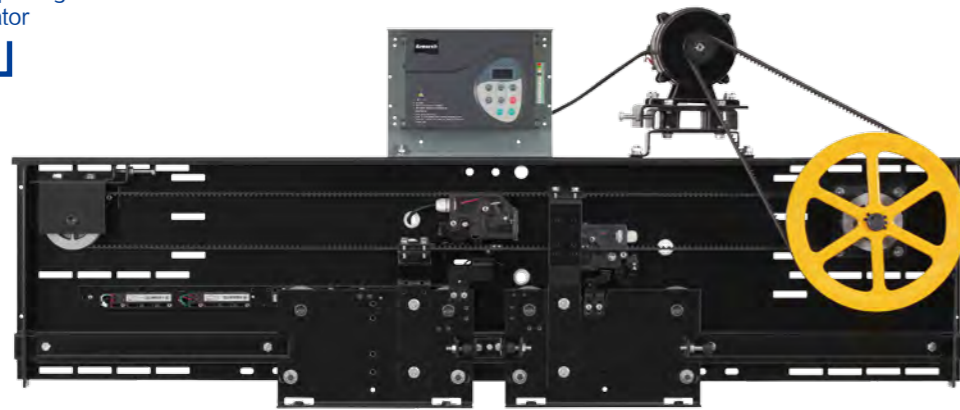


净开门口宽 JJ	650	700	750	800	850	900	950	1000	1050	1100	1150	1200
A1L	1320	1420	1520	1620	1720	1820	1920	2020	2120	2220	2320	2420
A3L	200	225	250	275	300	325	350	375	400	425	450	475

OMJ 系列

中分三相变频异步门机

2-Leafs Center Opening
VVVF Door Operator



识别号: OMJ-01 (轿架直梁安装) OMJ-01D (轿顶安装)

- 特 征:
- 采用新型同步带传动, 无滑差, 无需润滑, 运行平稳噪音更低
 - 采用 VVVF 变频控制技术, 可选配开门限制装置, 安全可靠, 调试简便
 - 采用异步门刀, 可实现门板与挂板上安装, 具有机械锁紧力
 - 采用 S 形压制导轨, 结构更紧凑

Serial NO: OMJ-01 (Straight Beam Installation) OMJ-01D (Car Top Installation)

- Feature:
- The synchronous belt drive directly, no slip, no lubrication, running smoothly in lower noise
 - Asynchronous door vane used, installation on door panel or door hanger, with mechanical blocking force.
 - VVVF control system, door opening limiter, safe, reliable, easy to adjust
 - Press rail in S-shaped, more compact structure

主要附件图 / Accessories:

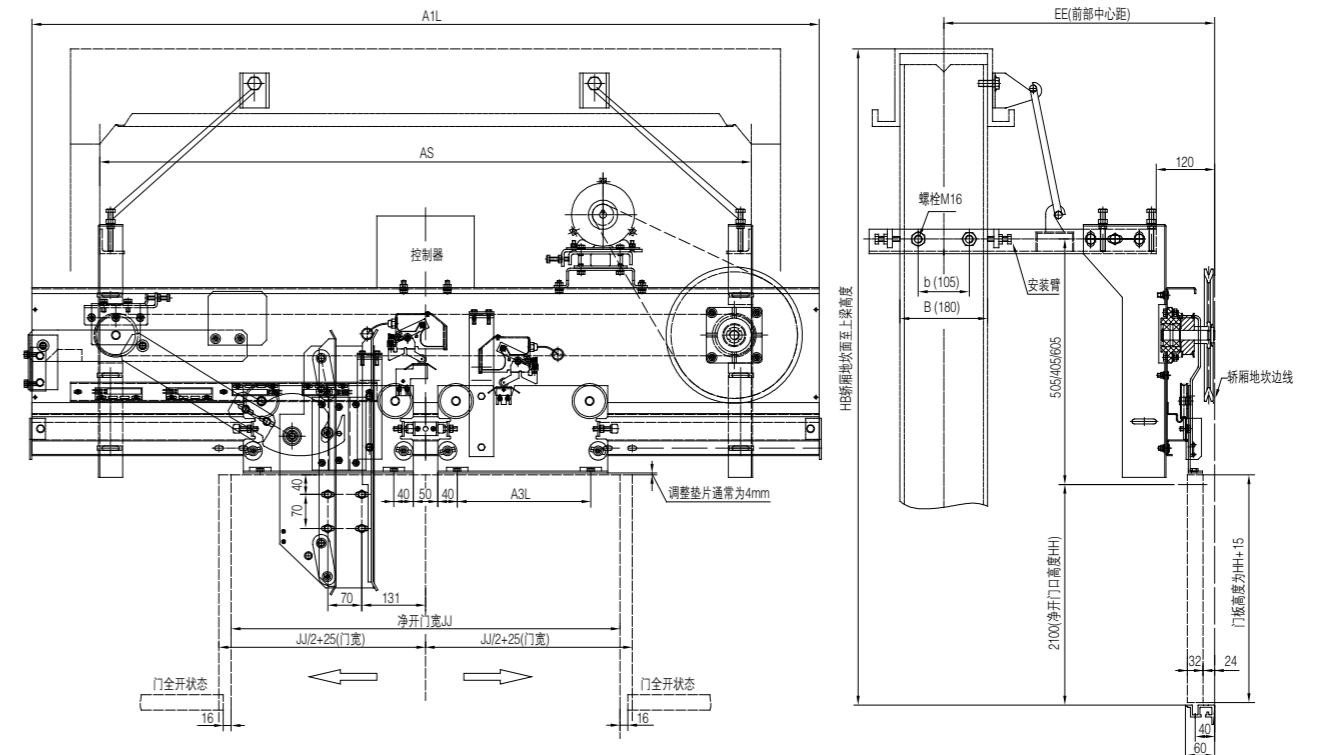
通用件 General Parts				
变频器 (可选) Inverter(Optional) Drawing NO:NICE-D-A-SOP4-OL2	AAD03011DK	门刀 / 连杆 Door vane / connecting rod Drawing NO:A1024A300S OMJ01.28B	门机小封包 Door operator fixings Drawing NO:OMJ01.34	电线导向组件 Wire conduit Drawing NO:OMJ01.29/OMJ01.30
轿架直梁安装 For Straight Beam Installation				
挂板式门刀安装座 (选配) Stand for door vane on hanger (optional) Drawing NO:A1024A300.6S	开门限制装置 (选配) Door opening limiter(optional) Drawing NO:OPJ307B	安装侧板组件 Side bracket for installation Drawing NO:OMJ01.7	安装臂组件 Installation arm module Drawing NO:OMJ01.23D	大拉钩 / 小拉钩 Big pull hook / small pull hook Drawing NO:OMJ01.26/OMJ01.32
轿顶安装 For Car Top Installation				
直拉杆组件 / 长拉杆组件 Straight tie-rod module / long tie-rod module Drawing NO:OMJ01.25/OMJ01.24	轿顶安装支架 Installation brackets Drawing NO:OMJ01-01/ OMJ01-02	轿顶安装 C 型管 (选配) Fixing pipe for car top installation(optional) Drawing NO:OMJ01-03	加强安装支架 Strengthened installation bracket Drawing NO:OMJ11-1B	

OMJ 系列 中分三相变频异步门机安装示意图

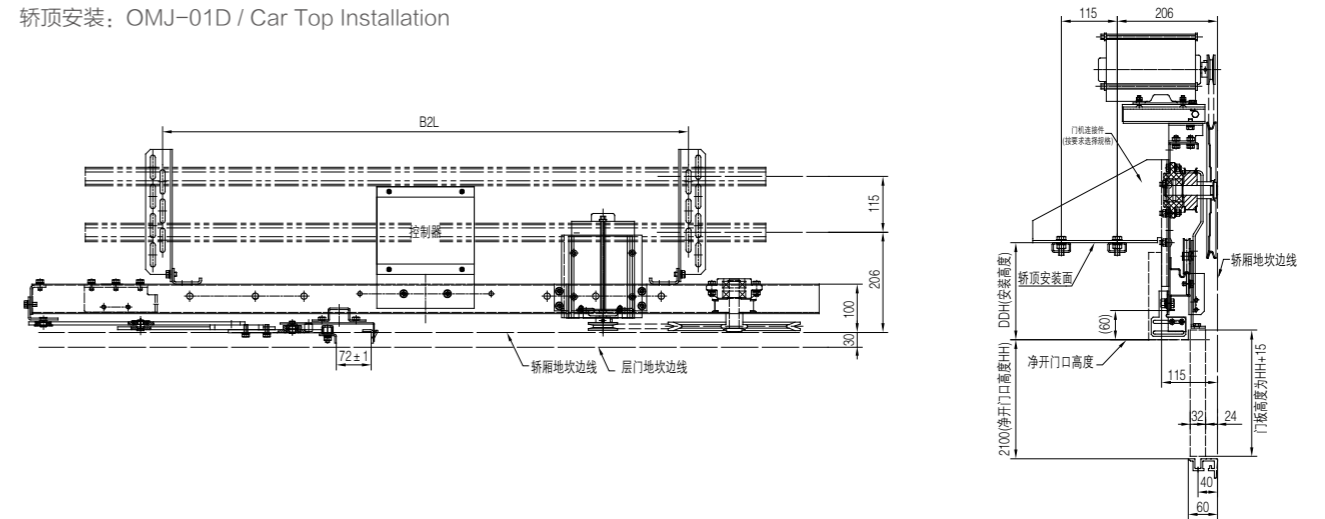
2-Leafs Center Opening VVVF Door Operator Installation Schematic Diagram

识别号: OMJ-01 (轿架直梁安装) OMJ-01D (轿顶安装)
Serial NO: OMJ-01 (Straight Beam Installation) OMJ-01D (Car Top Installation)

轿架直梁安装: OMJ-01 / Straight Beam Installation



轿顶安装: OMJ-01D / Car Top Installation



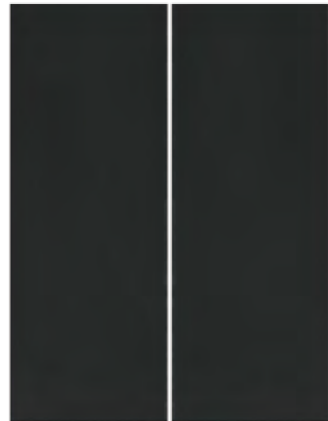
净开门 JJ	650	700	750	800	850	900	950	1000	1050	1100	1150	1200
A1L	1360	1460	1560	1660	1760	1860	1960	2060	2160	2260	2360	2460
A3L	200	225	250	275	300	325	350	375	400	425	450	475
B2L	830	930	930	1020	1020	1220	1220	1220	1420	1420	1520	1520

HB,HH,AS,EE,B,b 根据客户指令确定

OMJ 系列

客梯轿门 / 地坎 / 护脚板

Door Panel, Sill and Accessories for Door Operator



轿门 / Panel
Drawing NO: OP J0801



门封条 / Door Sealer
Drawing NO: OPJ0901.1-1



橡胶撞头 / Rubber Stopper
Drawing NO: OPJ0901.1-2



轿门地坎 / Car Sill
Drawing NO: OMJ01.12



轿门护脚板 / Landing Apron
Drawing NO: DK 012-1

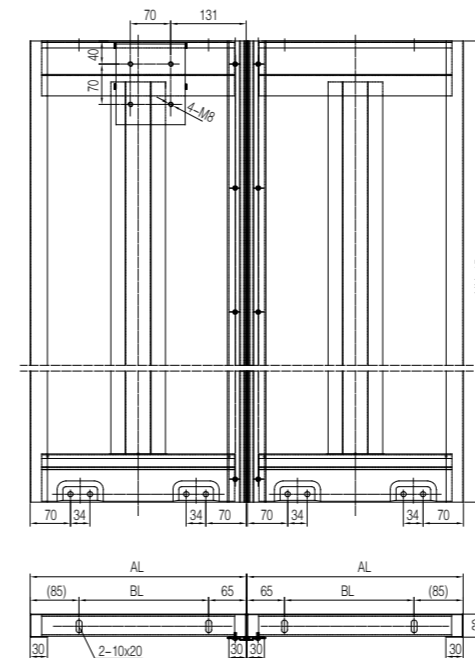
标准配置 / Standard Accessories:

序号 / NO.	部件名称 / Name	材料 / Material		备注 / Remarks
1	轿门 / Panel	冷板 / Steel	喷漆 / Painted	按色标可选 / As Below Colour
		不锈钢 / Stainless Steel	发纹 / Hairline	本色 / Natural
1.1	门封条 / Door Sealer	橡胶 / Rubber		可选 / Optional
1.2	橡胶撞头 / Rubber Stopper	橡胶 / Rubber		可选 / Optional
2	轿门地坎 / Car Sill	铝合金 / ALU.		本色 / Natural
3	轿门护脚板 / Landing Apron	镀锌板 / Galvanized Plate		

三种色标: 烟灰 果绿 驼色 Three Color Codes: Smoky Grey, Apple Green, Camel

OMJ 系列 客梯轿门、地坎、护脚板安装示意图 Door Panel, Sill and Accessories for Door Operator Installation Schematic Diagram

中分轿门 / Center Car Door
Drawing No:OPJ0801

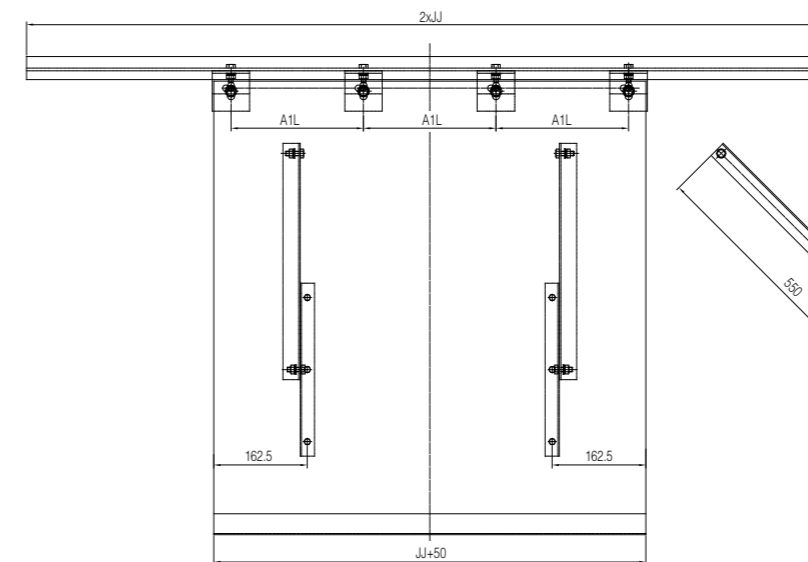


轿门参数表 / Door Parameters

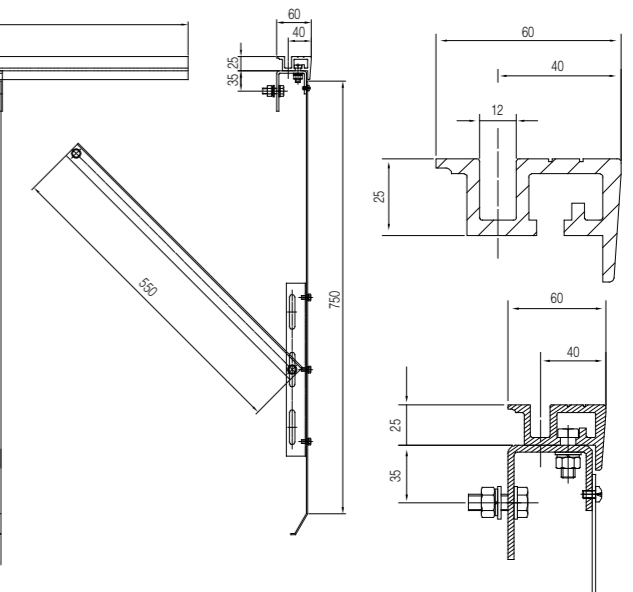
净门口高 HH	HH+15	A	B
2000	2015	215	40
2100	2115	225	45
2200	2215	240	27.5

净开门宽 JJ	700	750	800	850	900	950	1000	1050	1100	1150	1200	非标 Non-standard
AL	375	400	425	450	475	500	525	550	575	600	625	0.5JJ+25
BL	225	250	275	300	325	350	375	400	425	450	475	0.5JJ-125

中分轿门地坎组件 / Center Car Door Sill Module
Drawing No:DK012



轿门地坎 / Car Sill
Drawing No:OMJ01.12



地坎、护脚板参数表 / Sill, Apron Sizes

净开门 JJ	700	750	800	850	900	950	1000	1050	1100	1150	1200
2xJJ	1400	1500	1600	1700	1800	1900	2000	2100	2200	2300	2400
JJ+50	750	800	850	900	950	1000	1050	1100	1150	1200	1250
A1L	230	230	260	260	300	300	330	330	360	360	400

OCM 系列

中分式层门装置 (重锤式强迫关门)

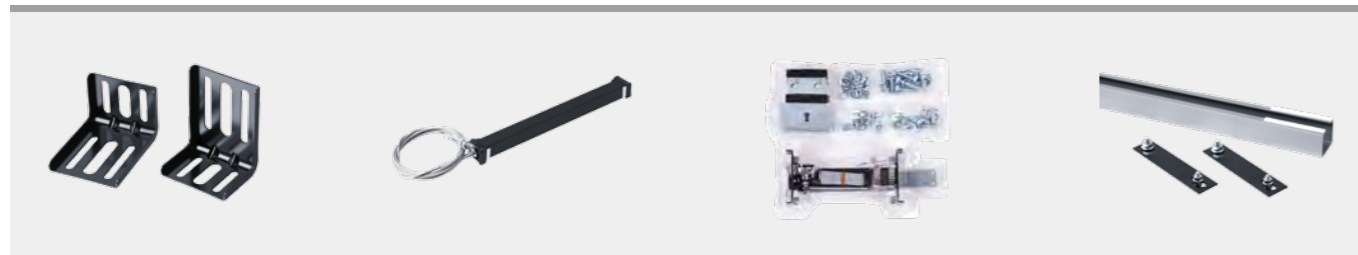
2-Leafs Center Opening Landing Door Device
(Common Weight Type)



- 识别号: OCM01-B (聚胺脂门挂轮) OCM01-H (尼龙门挂轮)
- 特征:
 ●开锁方式为门板上开锁, 通过 45Kg 摆锤冲击试验
 ●采用重锤强迫关门方式, 重锤与导向管置于层门门板内侧
 ●门锁通过国家电梯检测中心测试合格, 取得 CE、CU-TR 认证
 ●门锁适用电压: AC220V、DC110V

- Serial NO: OCM01-B (With Polyurethane Wheels) OCM01-H (With Nylon Wheels)
- Feature:
 ● Unlocking hole on landing panel, passed 45kg pendulum impact test
 ● Closing by weight type, weight and guiding pipe fixed at inner side of landing panel
 ● Door lock qualified by the NATIONAL ELEVATOR INSPECTION CENTER, with CE、CU-TR certificate
 ● Voltage for door lock: AC220V, DC110V

主要附件图 / Accessories:



上坎安装座 Installation stand
Drawing NO:A1066E 100.7

重锤组件 Weight module
Drawing NO:D252000

层门小封包 Fixings
Drawing NO:A1066E 100.20BX

导向管组件 Guiding pipe module
Drawing NO:D224000



触点开关 Contact switch
Drawing NO:A1035A600

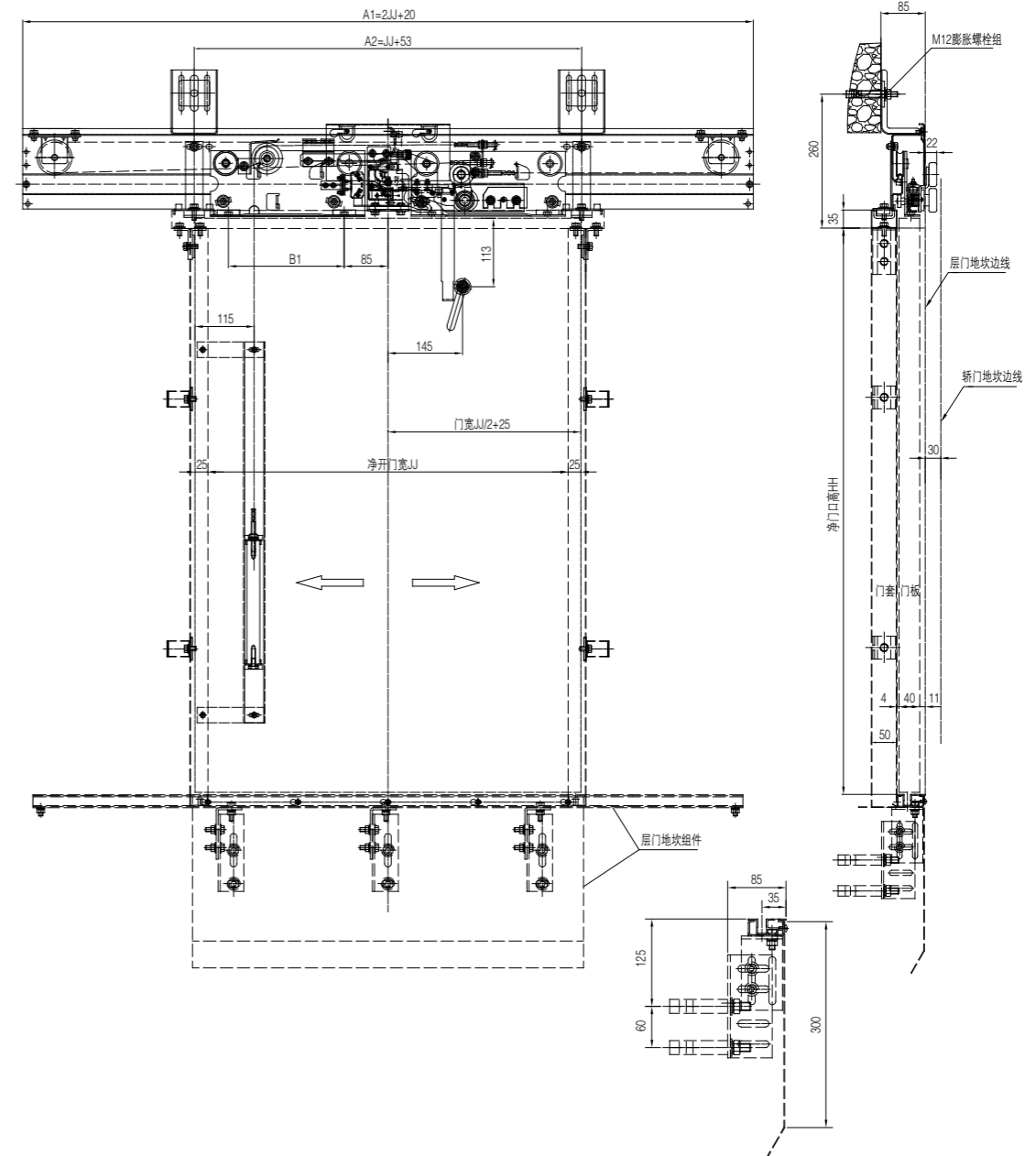
(中分) 轿门锁撞弓 (选配)
Hitting bow for door lock(optional)
Drawing NO:OPJ315

联锁装置 / 互锁钩 (选配)
Interlock/lock hook(optional)
Drawing NO:OCM01B4.1.4
OCM01B4.1.5

远程开锁拉绳装置 / 救命绳装置 (选配)
Remote pull rope device for unlocking(optional)
Drawing NO:A1026110Y

OCM 系列 中分式层门装置 (重锤式强迫关门) 安装示意图 2-Leafs Center Opening Landing Door Device (Common Weight Type) Installation Schematic Diagram

识别号: OCM01-B (聚胺脂门挂轮) OCM01-H (尼龙门挂轮)
Serial NO:OCM01-B (With Polyurethane Wheels) OCM01-H(With Nylon Wheels)



净开门 JJ	600	650	700	750	800	850	900	950	1000	1050	1100	1150	1200
A1	1220	1320	1420	1520	1620	1720	1820	1920	2020	2120	2220	2320	2420
B1	175	200	225	250	275	300	325	350	375	400	425	450	475

OCM 系列

中分式层门装置 (拉簧式强迫关门)

2-Leafs Center Opening Landing Door Device
(Common Spring Type)



识别号: OCM01-C (聚胺脂门挂轮) OCM01-I (尼龙门挂轮)

- 特征:
- 开锁方式为门板上开锁, 通过 45Kg 摆锤冲击试验
 - 采用拉簧强迫关门方式, 拉簧置于层门装置内上侧
 - 可配有有框玻璃门板
 - 门锁通过国家电梯检测中心测试合格, 取得 CE、CU-TR 认证
 - 门锁适用电压: AC220V、DC110V

Serial NO: OCM01-C (With Polyurethane Wheels) OCM01-I (With Nylon Wheels)

- Feature:
- Unlocking hole on landing panel, passed 45kg pendulum impact test
 - Closing by spring type, spring assembled on inner top of landing device
 - Suitable for glass door panels
 - Door lock qualified by the NATIONAL ELEVATOR INSPECTION CENTER, with CE、CU-TR certificate
 - Voltage for door lock: AC220V, DC110V

主要附件图 / Accessories:



上坎安装座 Installation stand
Drawing NO:A1066E 100.7

拉簧组件 Spring module
Drawing NO:A1066E 100CL

层门小封包 Fixings
Drawing NO:A1066E 100.20BX

触点开关 Contact switch
Drawing NO:A1035A600



5.(中分) 轿门锁撞弓 (选配)
Hitting bow for door lock(optional)
Drawing NO:OPJ315

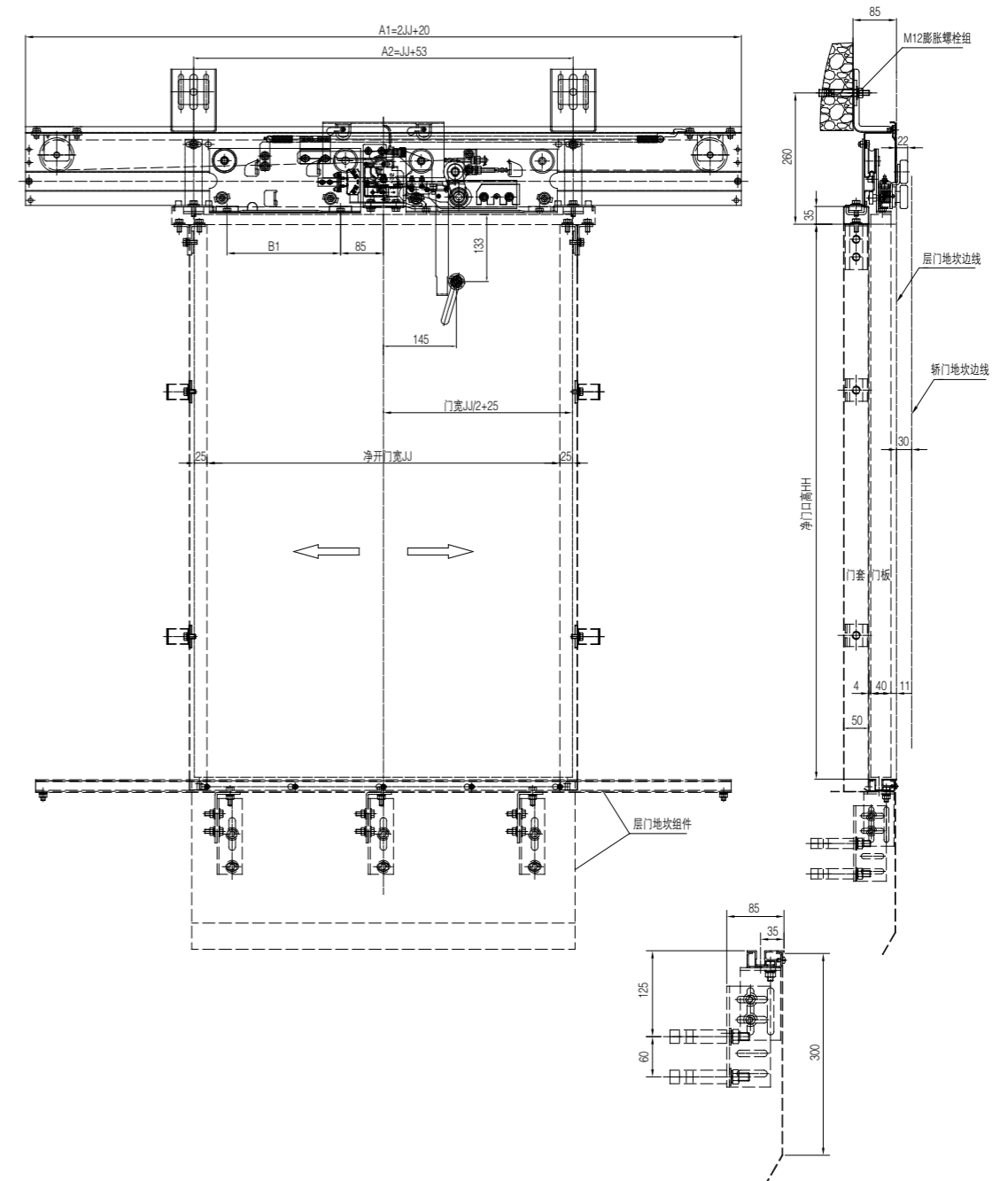
联锁装置 / 互锁钩 (选配)
Interlock/lock hook(optional)
Drawing NO:OCM01B4.1.4 / OCM01B4.1.5

远程开锁拉绳装置 / 救命绳装置 (选配)
Remote pull rope device for unlocking(optional)
Drawing NO:A1026110Y

OCM 系列 中分式层门装置 (拉簧式强迫关门) 安装示意图 2-Leafs Center Opening Landing Door Device (Common Spring Type) Installation Schematic Diagram

识别号: OCM01-C (聚胺脂门挂轮) OCM01-I (尼龙门挂轮)

Serial NO:OCM01-C (With Polyurethane Wheels) OCM01-I (With Nylon Wheels)

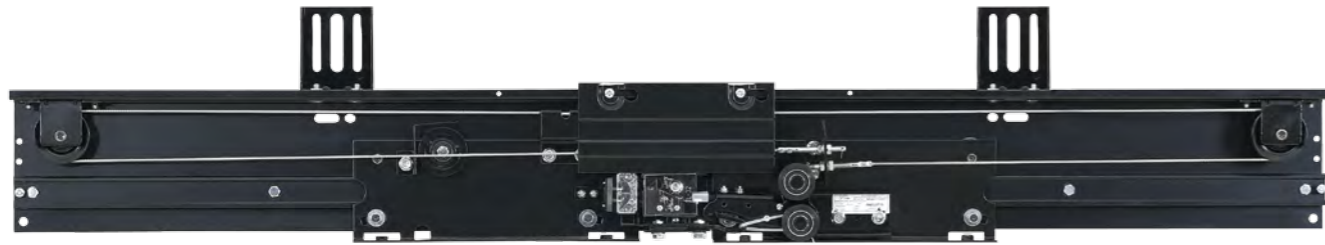


净开门 JJ	600	650	700	750	800	850	900	950	1000	1050	1100	1150	1200
A1	1220	1320	1420	1520	1620	1720	1820	1920	2020	2120	2220	2320	2420
B1	175	200	225	250	275	300	325	350	375	400	425	450	475

OCM 系列

中分式层门装置 (重锤式强迫关门)

2-Leafs Center Opening Landing Door Device
(Common Weight Type)



- 识别号: OCM01-D (型材导轨)
 特征:
 - 开锁方式为门板上开锁, 通过 45Kg 摆锤冲击试验
 - 采用重锤强迫关门方式, 重锤与导向管置于层门门板内侧
 - 采用型材导轨结构
 - 门锁通过国家电梯检测中心测试合格, 取得 CE、CU-TR 认证
 - 门锁适用电压: AC220V、DC110V

- Serial NO: Serial NO:OCM01-D (With Separate Rail)
 Feature:
 - Unlocking hole on landing panel, passed 45kg pendulum impact test
 - Closing by weight type, weight and guiding pipe fixed at inner side of landing panel
 - With separate rail
 - Door lock qualified by the NATIONAL ELEVATOR INSPECTION CENTER, with CE、CU-TR certificate
 - Voltage for door lock: AC220V, DC110V

主要附件图 / Accessories:

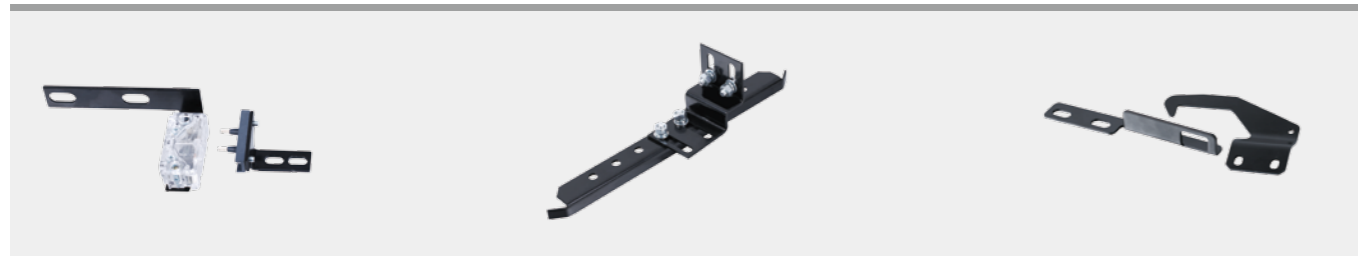


上坎安装座 Installation stand
Drawing NO:A1066E 100.7

重锤组件 Weight module
Drawing NO:D252000

层门小封包 Fixings
Drawing NO:A1066E 100.20BX

导向管组件 Guiding pipe module
Drawing NO:D224000



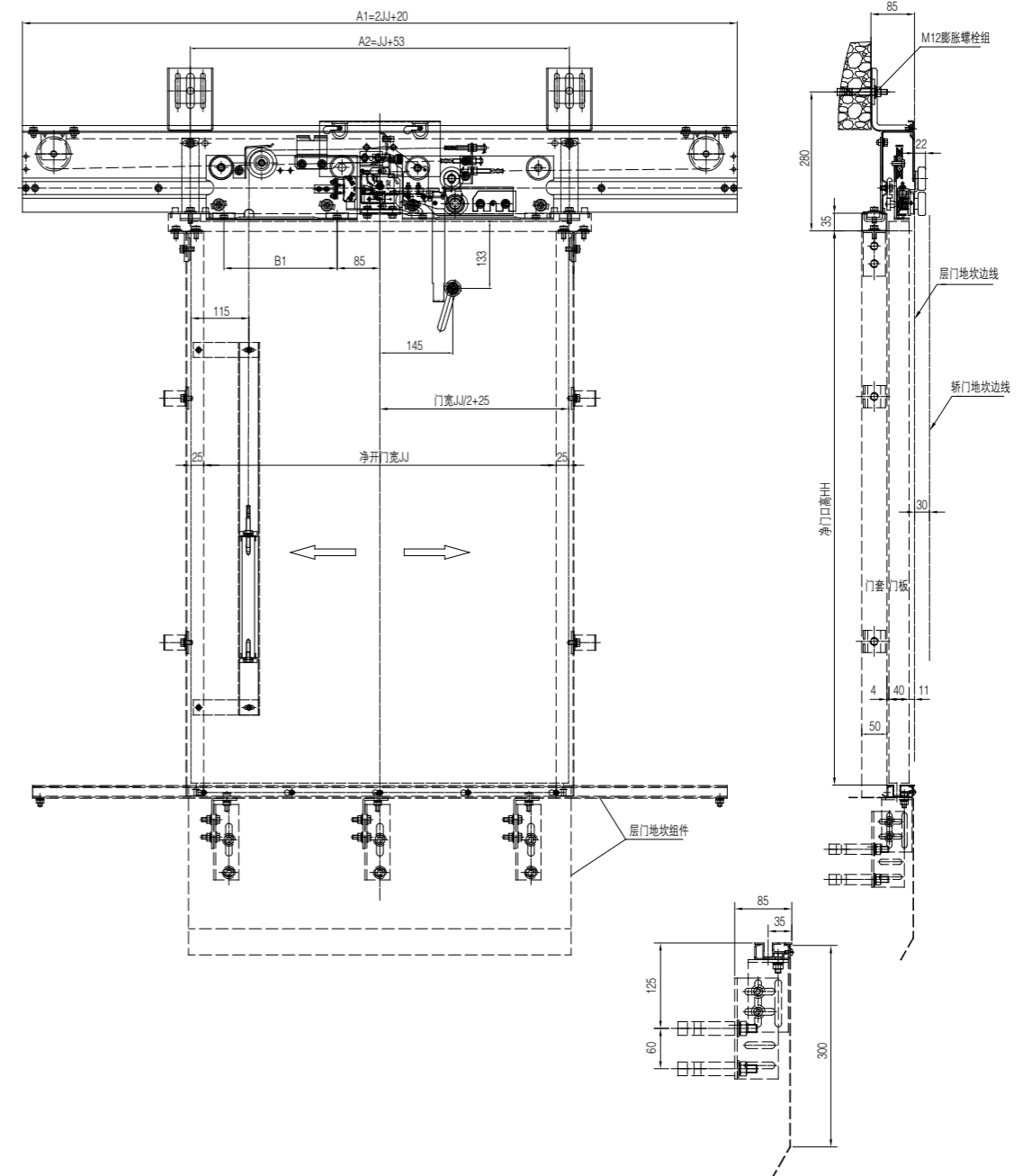
触点开关 Contact switch
Drawing NO:A1035A600

(中分) 轿门锁撞弓 (选配)
Hitting bow for door lock(optional)
Drawing NO:OPJ315

联锁装置 / 互锁钩 (选配)
Interlock/lock hook(optional)
Drawing NO:OCM01B4.1.4 / OCM01B4.1.5

OCM 系列 中分式层门装置 (重锤式强迫关门) 安装示意图 2-Leafs Center Opening Landing Door Device (Common Weight Type) Installation Schematic Diagram

识别号: OCM01-D (型材导轨)
Serial NO:OCM01-D (With Separate Rail)



净开宽度 JJ	600	650	700	750	800	850	900	950	1000	1050	1100	1150	1200
A1	1220	1320	1420	1520	1620	1720	1820	1920	2020	2120	2220	2320	2420
B1	175	200	225	250	275	300	325	350	375	400	425	450	475

OCM 系列

中分式层门装置 (重锤式强迫关门)

2-Leafs Center Opening Landing Door Device
(Common Weight Type)



- 识别号: OCM01-BW (重锤旁置型)
- 特征:
- 开锁方式为门板上开锁, 通过 45Kg 摆锤冲击试验
 - 采用重锤强迫关门方式, 重锤与导向管置于层门装置一侧
 - 可配有有框玻璃门板
 - 门锁通过国家电梯检测中心测试合格, 取得 CE、CU-TR 认证
 - 门锁适用电压: AC220V、DC110V

- Serial NO: OCM01-BW (Side Weight Type)
- Feature:
- Unlocking hole on landing panel, passed 45kg pendulum impact test
 - Closing by weight type, weight and guiding pipe fixed at one side of landing device
 - Suitable for glass door panels
 - Door lock qualified by the NATIONAL ELEVATOR INSPECTION CENTER, with CE、CU-TR certificate
 - Voltage for door lock: AC220V, DC110V

主要附件图 / Accessories:

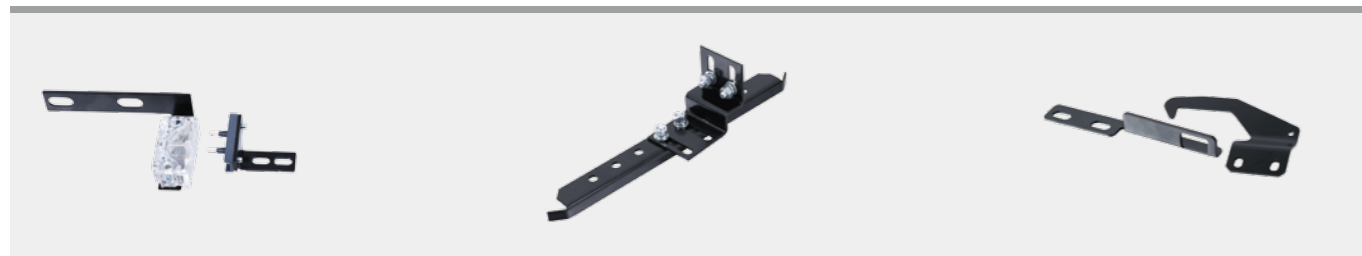


上坎安装座 Installation stand
Drawing NO:A1066E 100.7

重锤组件 Weight module
Drawing NO:D252000BW

层门小封包 Fixings
Drawing NO:A1066E 100.20BX

导向管组件 Guiding pipe module
Drawing NO:A1025B700BW



触点开关 Contact switch
Drawing NO:A1035A600

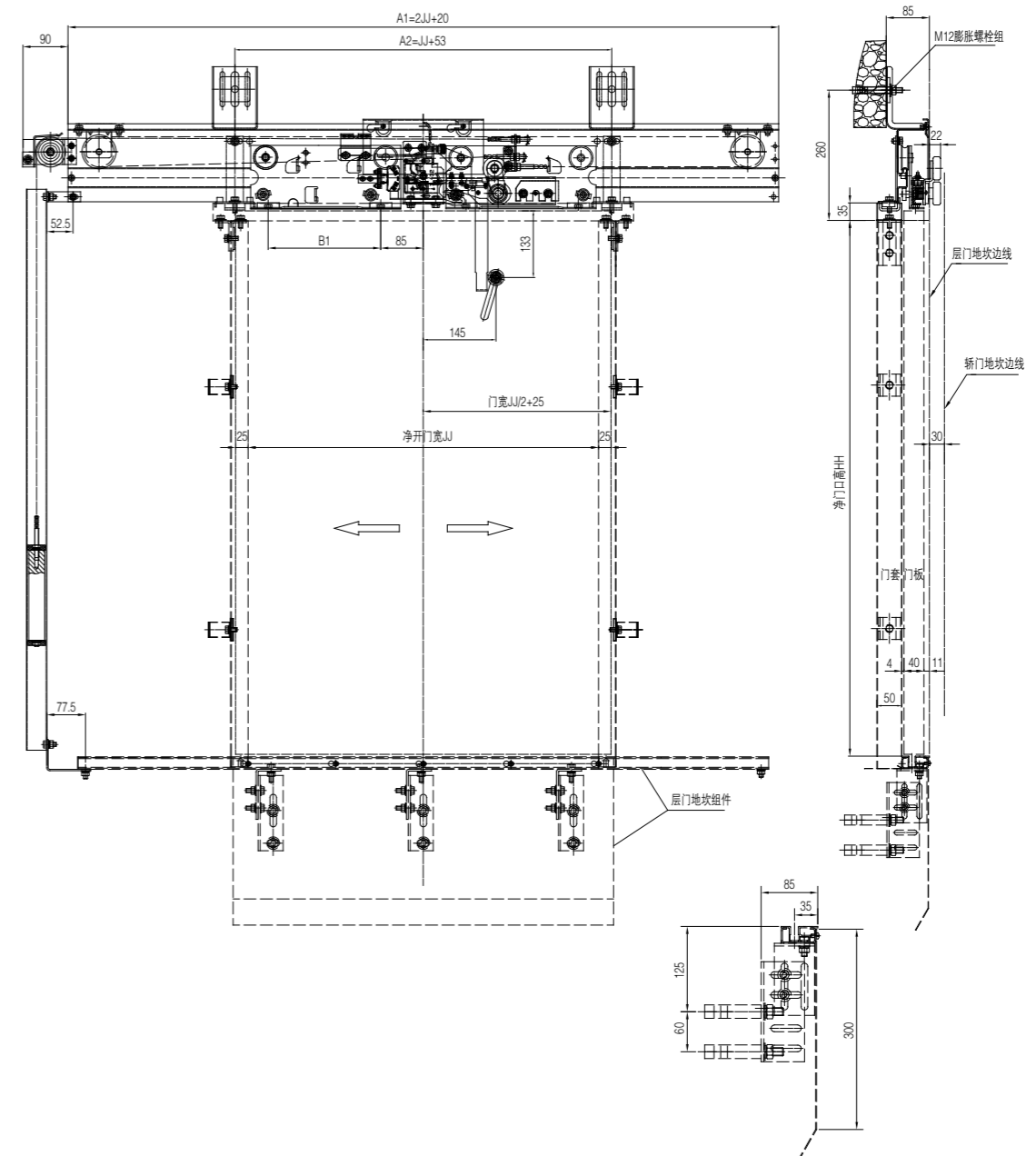
(中分) 轿门锁撞弓 (选配)
Hitting bow for door lock(optional)
Drawing NO:OPJ315

联锁装置 / 互锁钩 (选配)
Interlock/lock hook(optional)
Drawing NO:OCM01B4.1.4 / OCM01B4.1.5

OCM 系列 中分式层门装置 (重锤式强迫关门) 安装示意图

2-Leafs Center Opening Landing Door Device (Common Weight Type) Installation Schematic Diagram

识别号: OCM01-BW (重锤旁置型)
Serial NO: OCM01-BW (Side Weight Type)



净开门 JJ	600	650	700	750	800	850	900	950	1000	1050	1100	1150	1200
A1	1220	1320	1420	1520	1620	1720	1820	1920	2020	2120	2220	2320	2420
B1	175	200	225	250	275	300	325	350	375	400	425	450	475

OCM 系列

中分式层门装置 (防火型)

2-Leafs Center Opening Landing Door Device (Fireproof Type)



- 识别号: OCM01-BF (防火型)
 特征:
 - 防火层门符合 EN81-58, GB/T24480, GOST30247.3 120min 防火认证要求
 - 开锁方式为门板上开锁, 通过 45Kg 摆锤冲击试验
 - 采用重锤强迫关门方式, 重锤与导向管置于层门门板内侧
 - 门锁通过国家电梯检测中心测试合格, 取得 CE、CU-TR 认证
 - 门锁适用电压: AC220V、DC110V

- Serial NO: OCM01-BF (Fireproof)
 Feature:
 - Quality conform to EN81-58, GB/T24480, GOST30247.3 120min fireproof certificate requirements
 - Unlocking hole on landing panel, passed 45kg pendulum impact test
 - Closing by weight type, weight and guiding pipe fixed at inner side of landing panel
 - Door lock qualified by the NATIONAL ELEVATOR INSPECTION CENTER, with CE、CU-TR certificate
 - Voltage for door lock: AC220V, DC110V

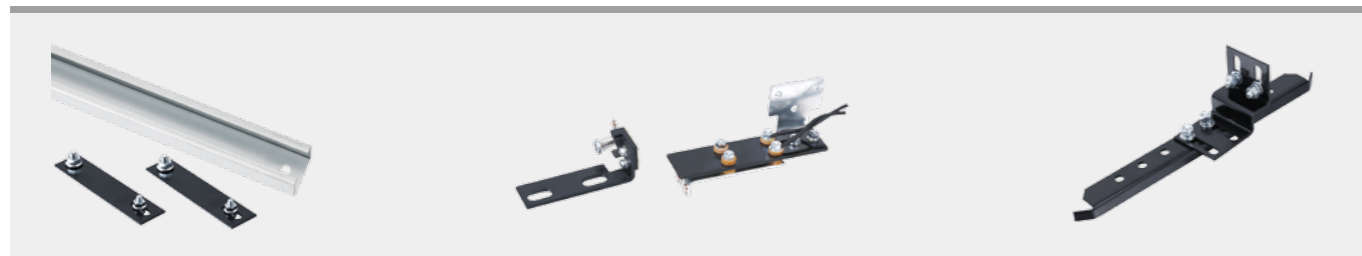
主要附件图 / Accessories:



上坎安装座 Installation stand
Drawing NO:A1066E 100.7

重锤组件 Weight module
Drawing NO:D252000BF

层门小封包 Fixings
Drawing NO:A1027A300.7BF



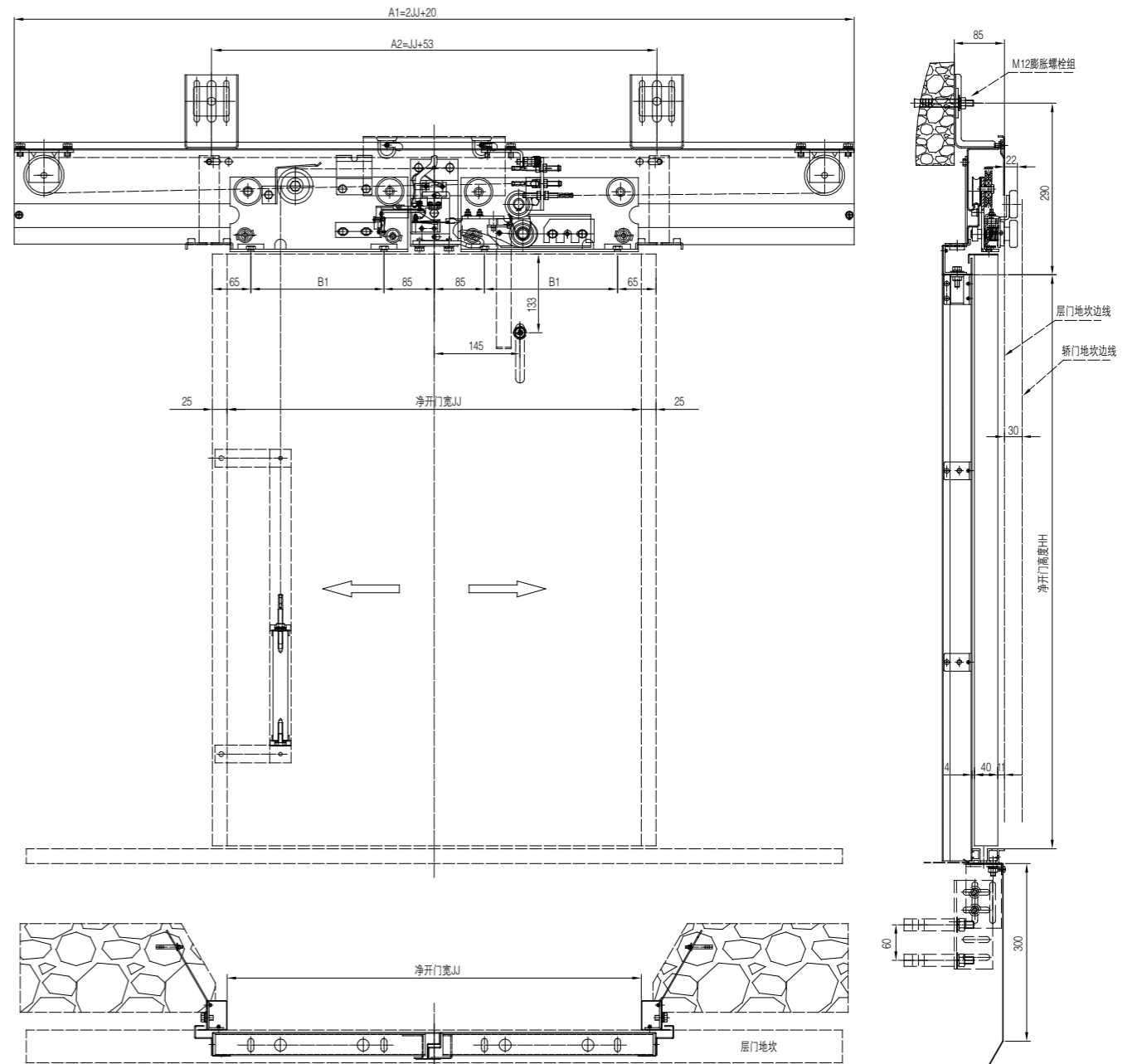
导向管组件 Guiding pipe module
Drawing NO:A1025B700BF

(防火) 被动门开关
Fire proof passive door switch
Drawing NO:D231000F

(中分) 轿门锁撞弓 (选配)
Hitting bow for door lock(optional)
Drawing NO:OPJ315

OCM 系列 中分式层门装置 (防火型) 安装示意图 2-Leafs Center Opening Landing Door Device (Fireproof Type) Installation Schematic Diagram

识别号: OCM01-BF (防火型)
 Serial NO: OCM01-BF (Fireproof)



净开门 JJ	650	700	750	800	850	900	950	1000	1050	1100	1150	1200
A1	1320	1420	1520	1620	1720	1820	1920	2020	2120	2220	2320	2420
B1	200	225	250	275	300	325	350	375	400	425	450	475

OCM 系列

中分层门 / 门套 / 地坎 / 护脚板

Landing Door Panel / Jamb / Sill
Apron and Accessories

中分层门门扇
Landing door panel
Drawing NO: OPJ0901



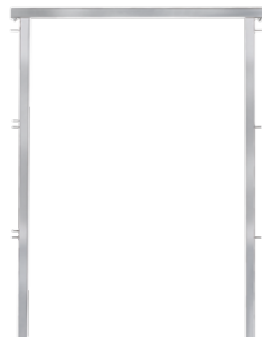
门封条
Door Sealer
Drawing NO: OPJ0901.1-1



橡胶撞头
Rubber Stopper
Drawing NO: OPJ0901.1-2



中分门套组件
Landing door jamb
Drawing NO: OPJ1001B



门套连接件
Assembly parts for jamb
Drawing NO: OPJ1001C-8



(防火型) 中分层门门扇
Fireproof landing door panel
Drawing NO: OPJ0911



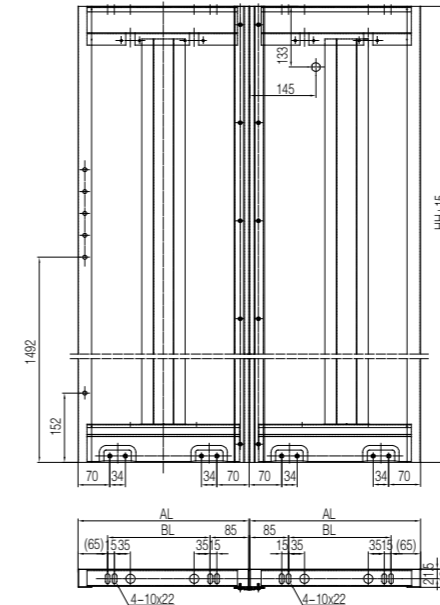
(防火型) 中分门套组件
Fireproof landing door Jamb
Drawing NO: OPJ1011



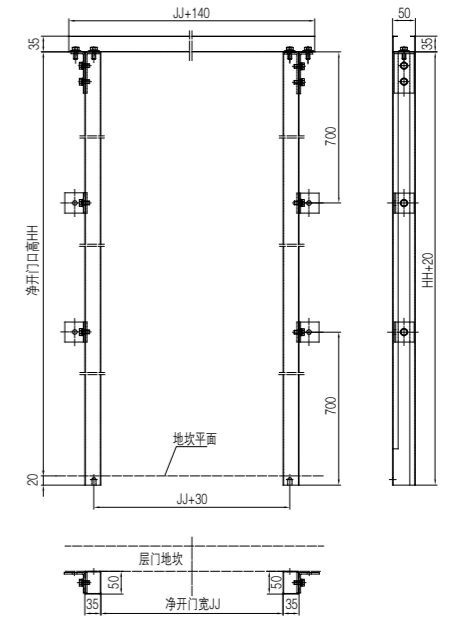
OCM 系列 中分层门 / 门套 / 地坎 / 护脚板安装示意图

Landing Door Panel, Jamb, Sill, Apron and Accessories
Installation Schematic Diagram

中分层门门扇
Landing Door Panel
Drawing NO: OPJ0901

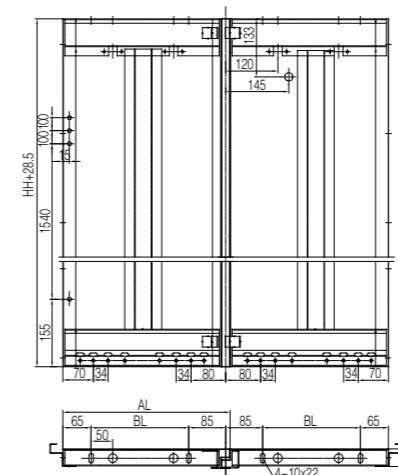


中分门套组件
Landing Door Jamb
Drawing NO: OPJ1001B

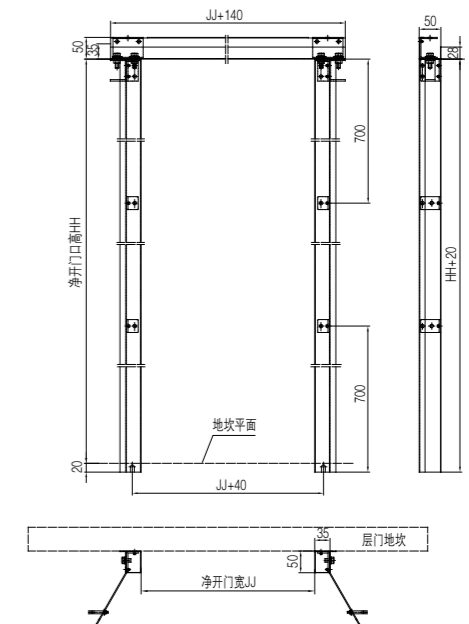


净开门 JJ	700	750	800	850	900	950	1000	1050	1100	1150	1200	非标 Non-standard
AL	375	400	425	450	475	500	525	550	575	600	625	0.5JJ+25
BL	225	250	275	300	325	350	375	400	425	450	475	0.5JJ-125

(防火型) 中分层门门扇
Fireproof Landing Door Panel
Drawing NO: OPJ0911



(防火型) 中分门套组件
Fireproof Landing Door Jamb
Drawing NO: OPJ1011



净开门 JJ	650	700	750	800	850	900	950	1000	1050	1100	1150	1200	非标 Non-standard
AL	360	385	410	435	460	485	510	535	560	585	610	635	0.5JJ+35
BL	200	225	250	275	300	325	350	375	400	425	450	475	0.5JJ-125

OCM 系列

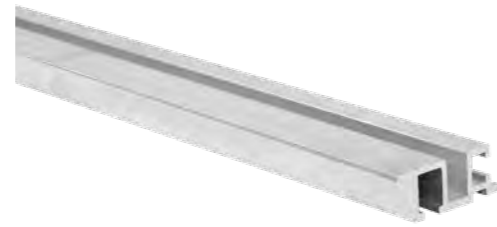
中分层门 / 门套 / 地坎 / 护脚板

Landing Door Pane / Jamb / Sill
Apron and Accessories

层门组合地坎
Landing Composite Alu. Sill
Drawing NO: DK01.1.1Y



层门铝地坎
Landing Solid Alu. Sill
Drawing NO:A1066E100.12/DK01.1D.1



地坎安装附件
Sill Fixings
Drawing NO: DK01.1FB-A1(M12*100)
DK01.1FB-A2(M10*100)



层门护脚板
Landing Apron
Drawing NO: DK01.1-1



地坎安装座
Sill Brackets
Drawing NO: DK01.1A-1 / DK01.1.2Y /
DK01.1H-1H



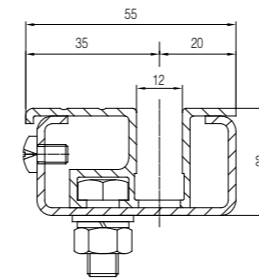
地坎档泥板
Splash Board
Drawing NO:DK01.1-3



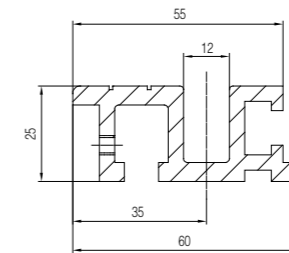
OCM 系列 中分层门、门套、地坎、护脚板安装示意图

Landing Door Panel, Jamb, Sill, Apron and Accessories
Installation Schematic Diagram

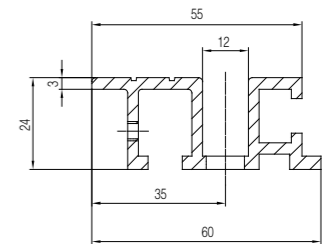
层门组合地坎
Landing Composite Alu. Sill
Drawing NO:DK01.1.1LY



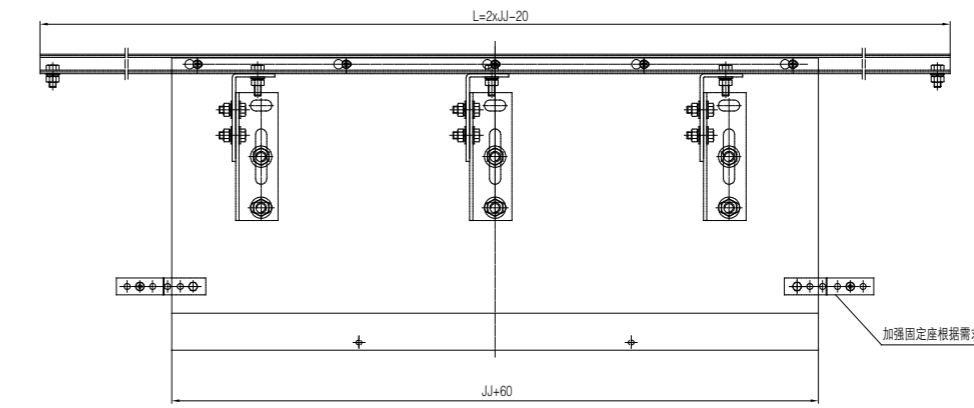
层门铝地坎
Landing Solid Alu. Sill
Drawing NO:A1066E100.12



层门铝地坎
Alu. Sill
Drawing NO:DK01.1D.1

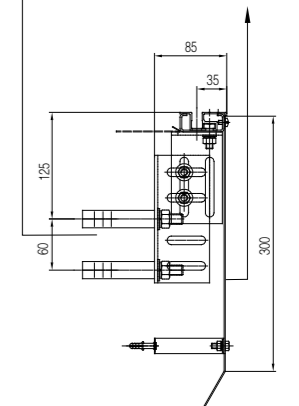


中分层门地坎组件
Landing Door Panel
Sill Module
Drawing NO:DK01.1CY



地坎安装附件
Sill Fixings
Drawing NO:DK01.1FB-A1(M12*100)
DK01.1FB-A2(M10*100)

层门护脚板
Landing Apron
Drawing NO:DK01.1-1



净开门宽 JJ	600	650	700	750	800	850	900	950	1000	1050	1100	1150	1200
L	1180	1280	1380	1480	1580	1680	1780	1880	1980	2080	2180	2280	2380
JJ+60	660	710	760	810	860	910	960	1010	1060	1110	1160	1210	1260
A1L	225	250	275	300	325	350	375	400	425	450	475	500	525

OMJ 系列

中分双折交流永磁同步门机 (轿架直梁安装)

4-Leafs Center Opening Permanent Magnet Synchronous Door Operator (Straight Beam Installation)



识别号: OMJ-17 (轿架直梁安装)

- 特征:
- 采用永磁同步电机, 额定转矩大, 效率高, 环保节能
 - 采用同步带直接传动, 无滑差, 无需润滑, 运行平稳噪音更低
 - 采用具有轿门锁功能的同步门刀, 实现门挂板上安装, 结构更紧凑
 - 采用全闭环控制技术, 调试简便, 安全可靠

Serial NO: OMJ-17 (Straight Beam Installation)

- Feature:
- With permanent magnet motor, wide torque range, high efficiency, environmental protection, energy saving
 - The synchronous belt drive directly, no slip, no lubrication, running smoothly in lower noise
 - The door is equipped with synchronous door vane with door lock function and can be installed on door hanger to make the structure more compact
 - Full-closed-loop control technology, safe, reliable and easy to adjust

主要附件图 / Accessories:



变频器 (可选) Inverter(optional)
Drawing NO:NICE-D-A-SOP4-OL2

AADD03040D

安装臂组件
Installation arm module
Drawing NO:OMJ05.5C

直拉杆组件 / 长拉杆组件
Straight tie-rod module / long tie-rod module
Drawing NO:OMJ02.5/OMJ02.6



大拉钩 / 小拉钩
Big pull hook / small pull hook
Drawing NO:OMJ01.26/OMJ01.32

(带轿门锁) 同步门刀
(with door lock function)
Synchronous door vane
Drawing NO:OMJ16.2-02

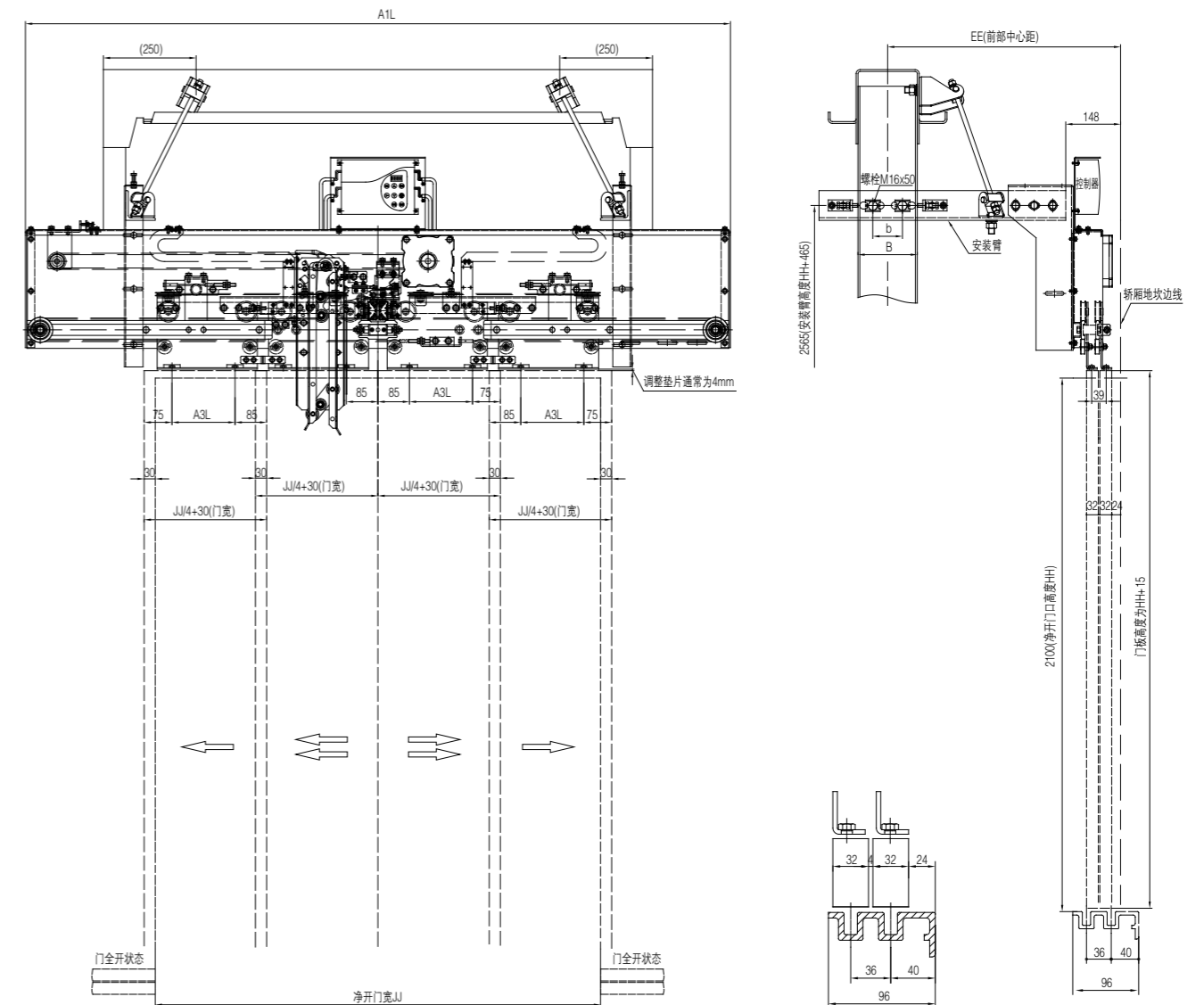
安装侧板组件
Side bracket for installation
Drawing NO:OMJ17.1.11

门机小封包 Door operator fixings
Drawing NO:OMJ17.2

OMJ 系列 中分双折交流永磁同步门机 (轿架直梁安装) 示意图 4-Leafs Center Opening Permanent Magnet Synchronous Door Operator (Straight Beam Installation) Schematic Diagram

识别号: OMJ-17 (轿架直梁安装)

Serial NO: OMJ-17 (Straight Beam Installation)



净开门宽 JJ	1200	1300	1400	1500	1600	1700	1800	1900	2000	2100	2200	2300	2400	2500	2600	2700	2800	2900	3000
A1L	1900	2050	2200	2350	2500	2650	2800	2950	3100	3250	3400	3550	3700	3850	4000	4150	4300	4450	4600
A3L	170	195	220	245	270	295	320	345	370	395	420	445	470	495	520	545	570	595	620

OMJ 系列

中分双折交流永磁同步门机 (轿顶安装)

4-Leafs Center Opening Permanent Magnet Synchronous Door Operator (Car Top Installation)



- 识别号: OMJ-17A (轿顶安装)
- 特征:
- 采用永磁同步电机, 额定转矩大, 效率高, 环保节能
 - 采用同步带直接传动, 无滑差, 无需润滑, 运行平稳噪音更低
 - 采用具有轿门锁功能的同步门刀, 实现门挂板上安装, 结构更紧凑
 - 采用全闭环控制技术, 调试简便, 安全可靠

- Serial NO: OMJ-17A (Car Top Installation)
- Feature:
- With permanent magnet motor, wide torque range, high efficiency, environmental protection, energy saving
 - The synchronous belt drive directly, no slip, no lubrication, running smoothly in lower noise
 - The door is equipped with synchronous door vane with door lock function and can be installed on door hanger to make the structure more compact
 - Full-closed-loop control technology, safe, reliable and easy to adjust

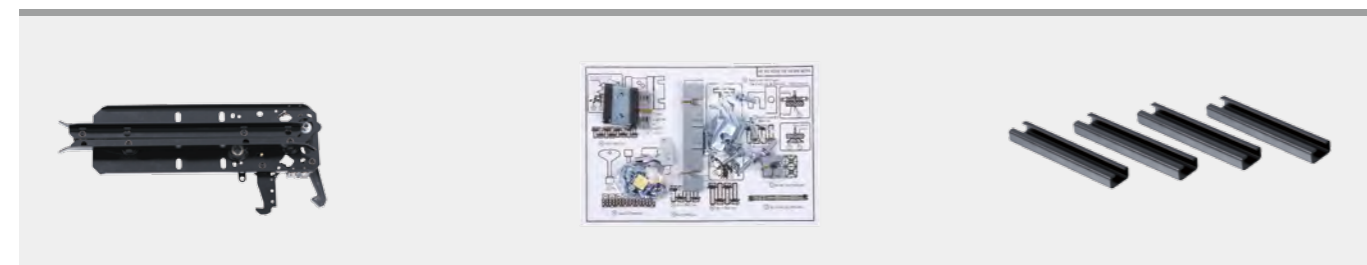
主要附件图 / Accessories:



变频器 (可选) Inverter(optional)
Drawing NO:NICE-D-A-SOP4-OL2

AADD03040D

轿顶安装支架 Installation bracket
Drawing NO:OMJ05JD-1



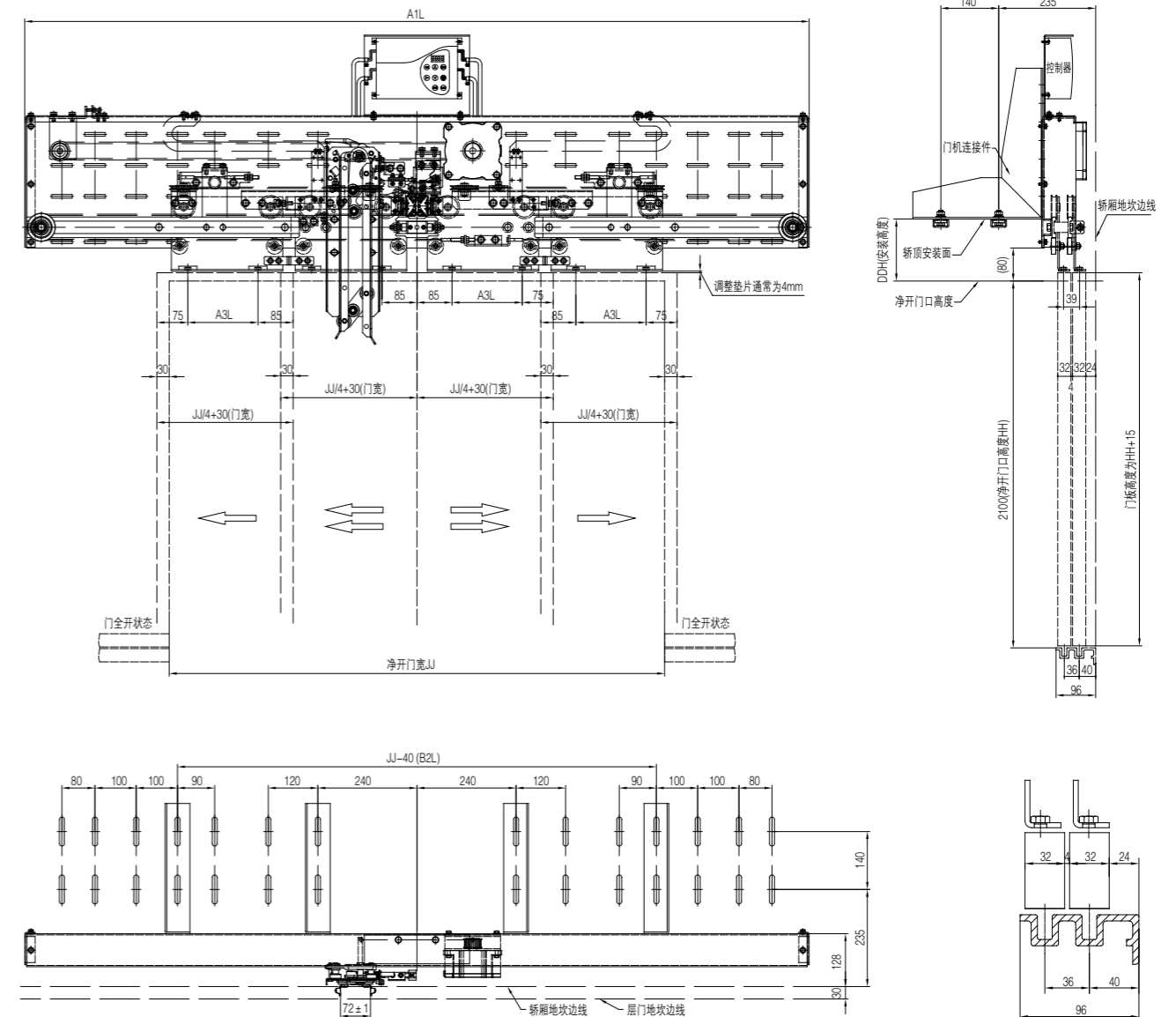
(带轿门锁) 同步门刀
(with door lock function) Synchronous door vane
Drawing NO:OMJ16.2-02

门机小封包 Door operator fixings
Drawing NO:OMJ17.2

轿顶安装 C 型管 (选配)
Fixing pipe for car top installation(optional)
Drawing NO:OMJ01-03

OMJ 系列 中分双折交流永磁同步门机 (轿顶安装) 示意图 4-Leafs Center Opening Permanent Magnet Synchronous Door Operator (Car Top Installation) Schematic Diagram

识别号: OMJ-17A (轿顶安装)
Serial NO: OMJ-17A (Car Top Installation)

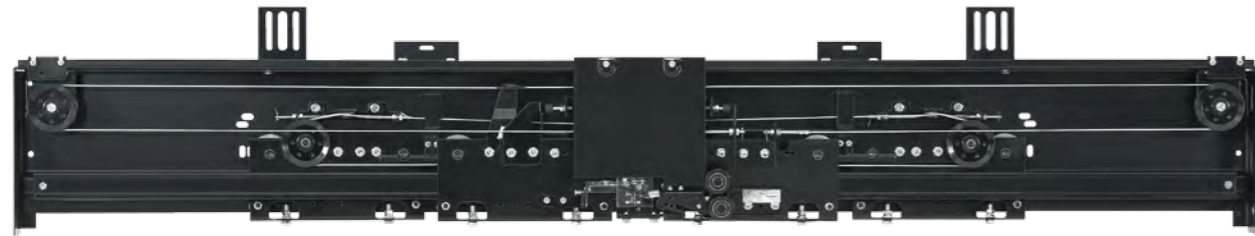


净开门宽 JJ	1200	1300	1400	1500	1600	1700	1800	1900	2000	2100	2200	2300	2400	2500	2600	2700	2800	2900	3000
A1L	1900	2050	2200	2350	2500	2650	2800	2950	3100	3250	3400	3550	3700	3850	4000	4150	4300	4450	4600
A3L	170	195	220	245	270	295	320	345	370	395	420	445	470	495	520	545	570	595	620
B2L	1160	1260	1360	1460	1560	1660	1760	1860	1960	2060	2160	2260	2360	2460	2560	2660	2760	2860	2960

OCM 系列

中分双折层门装置

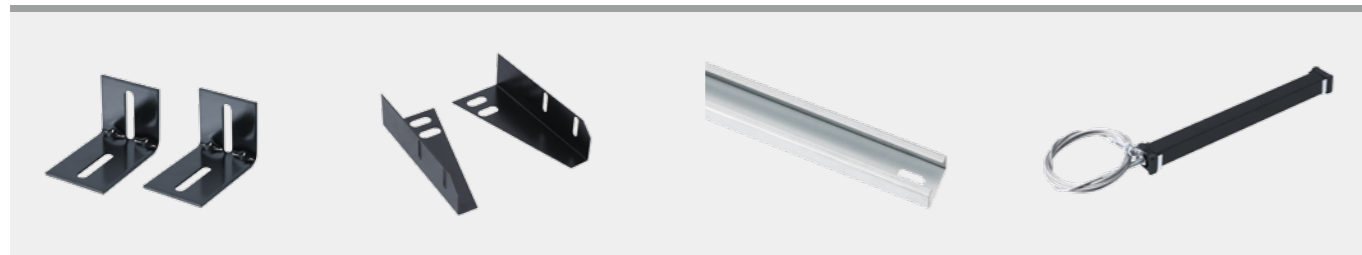
4-Leafs Center Opening Landing Door Device



识别号: OCM-05 (112 型地坎)
 特征:
 ●采用重锤强迫关门方式, 重锤与导向管置于层门装置两侧
 ●开锁方式为门板上开锁, 通过 45Kg 摆锤冲击试验
 ●门锁通过国家电梯检测中心测试合格, 取得 CE、CU-TR 认证
 ●门锁适用电压: AC220V、DC110V

Serial NO: OCM-05 (With Sill in 112mm Width)
 Feature:
 ● Closing by weight type, weight and guiding pipe fixed at 2 sides of landing device
 ● Unlocking hole on landing panel, passed 45kg pendulum impact test
 ● Door lock qualified by the NATIONAL ELEVATOR INSPECTION CENTER, with CE、CU-TR certificate
 ● Voltage for door lock: AC220V, DC110V

主要附件图 / Accessories:



上坎架安装座 Installation stand
Drawing NO:OCM03.1-4

侧安装板 Side bracket for installation
Drawing NO:OCM05.2

导向管槽 Guiding pipe
Drawing NO:OCM05.3

重锤组件 Weight module
Drawing NO:OCM05.4



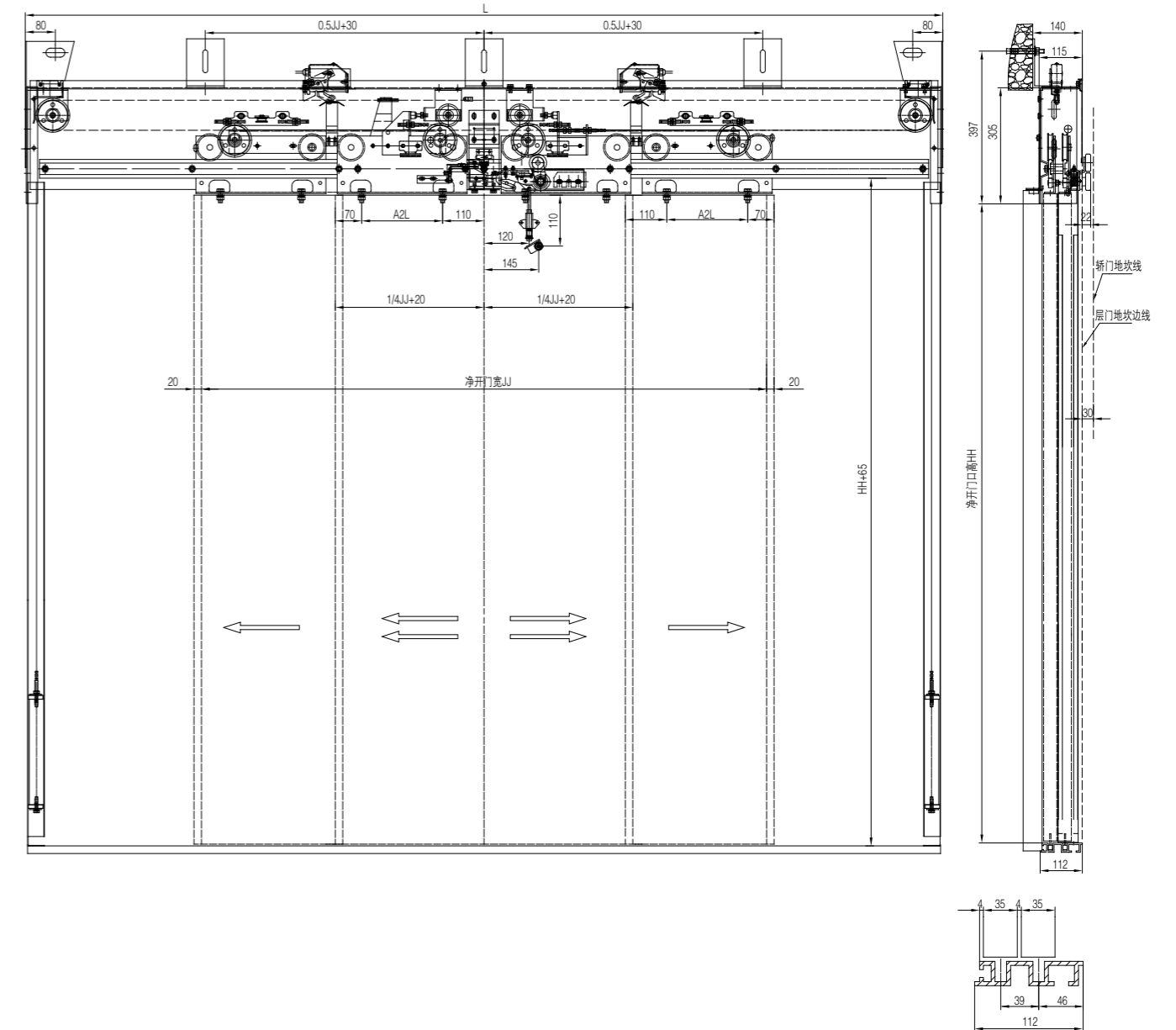
轿门锁撞弓 Hitting bow for door lock
Drawing NO:OPJ314

层门小零件组件 Spare parts
Drawing NO:OCM05.5

DS131 轿门开关 131 Door switch
Drawing NO:A1055C131

OCM-05 中分双折层门装置安装示意图 4-Leafs Center Opening Landing Door Device Installation Schematic Diagram

识别号: OCM-05 (112 型地坎)
Serial NO:OCM-05 (With Sill in 112mm Width)



净开门JJ	1400	1500	1600	1700	1800	1900	2000	2100	2200	2300	2400	2500	2600	2700	2800	2900	3000
L	2286	2436	2586	2736	2886	3036	3186	3336	3486	3636	3786	3936	4086	4236	4386	4536	4686
A2L	190	215	240	265	290	315	340	365	390	415	440	465	490	515	540	565	590

OCM 系列

中分双折层门装置

4-Leafs Center Opening Landing Door Device

OCM-05A 中分双折层门装置安装示意图

4-Leafs Center Opening Landing Door Device Installation Schematic Diagram

识别号: OCM-05A (96 型地坎)
Serial NO:OCM-05A (With Sill in 96mm Width)



- 识别号: OCM-05A (96 型地坎)
- 特征:
- 采用重锤强迫关门方式, 重锤与导向管置于快门门板边缘
 - 开锁方式为门板上开锁, 通过 45Kg 摆锤冲击试验
 - 门锁通过国家电梯检测中心测试合格, 取得 CE、CU-TR 认证
 - 门锁适用电压: AC220V、DC110V

- Serial NO: OCM-05A (With Sill in 96mm Width)
- Feature:
- Closing by weight type, weight and guiding pipe fixed at 2 sides of landing panels
 - Unlocking hole on landing panel, passed 45kg pendulum impact test
 - Door lock qualified by the NATIONAL ELEVATOR INSPECTION CENTER, with CE、CU-TR certificate
 - Voltage for door lock: AC220V, DC110V

主要附件图 / Accessories:



上坎架安装座 Installation stand
Drawing NO:OCM03.1-4

侧安装板 Side bracket for installation
Drawing NO:OCM05A.11

导向管槽 Guiding pipe
Drawing NO:OCM02A-1

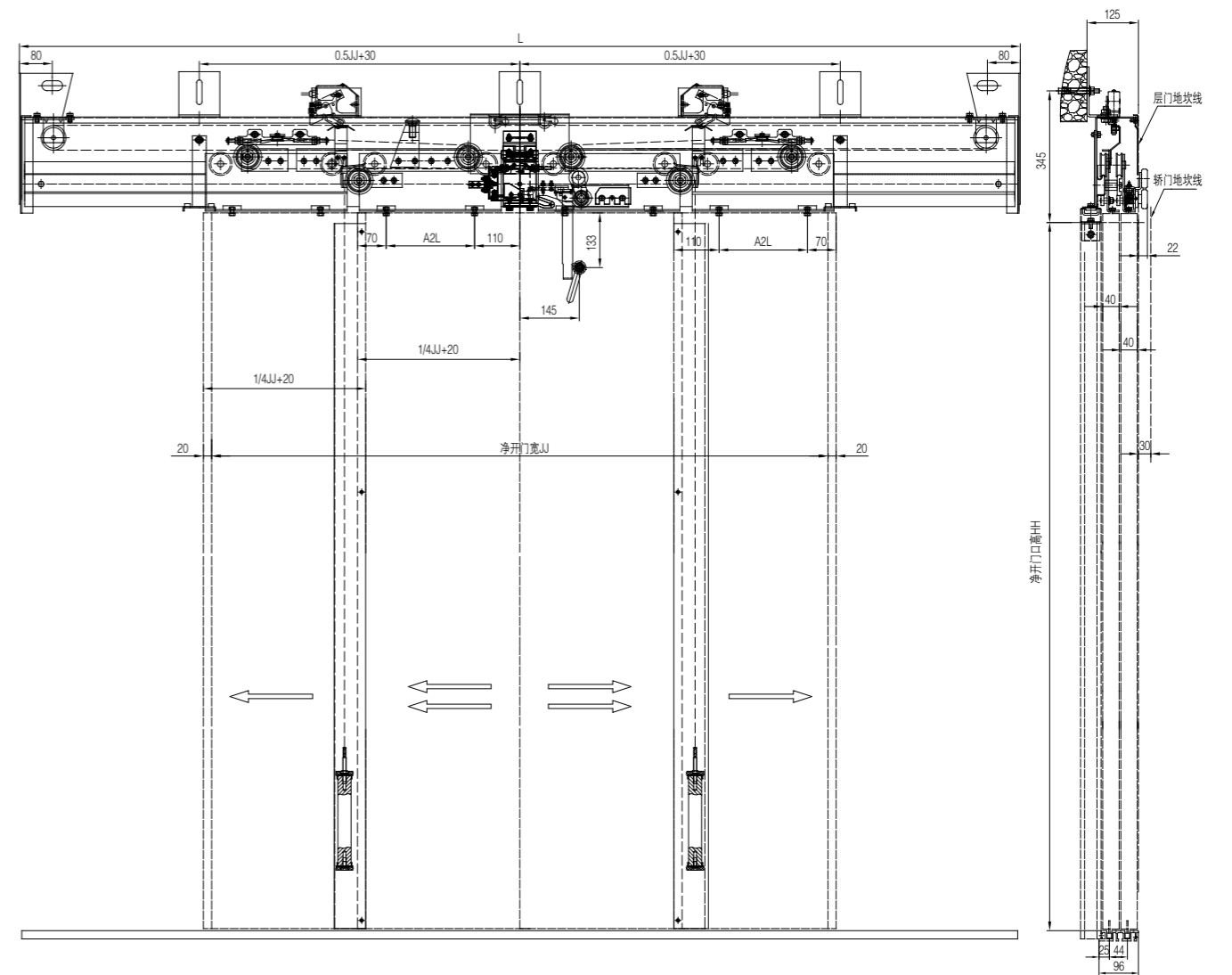
重锤组件 Weight module
Drawing NO:OCM05A.4



轿门锁撞弓 Hitting bow for door lock
Drawing NO:OPJ314

层门小零件组件 Spare parts
Drawing NO:OCM05A.7

DS131 轿门开关 131 Door switch
Drawing NO:A1055C131



净开门 JJ	1400	1500	1600	1700	1800	1900	2000	2100	2200	2300	2400	2500	2600	2700	2800	2900	3000
L	2286	2436	2586	2736	2886	3036	3186	3336	3486	3636	3786	3936	4086	4236	4386	4536	4686
A2L	190	215	240	265	290	315	340	365	390	415	440	465	490	515	540	565	590

OMJ 系列

旁开双折交流永磁同步门机 (轿架直梁安装)

2-Leafs Side Opening Permanent Magnet Synchronous Door Operator (Straight Beam Installation)



识别号: OMJ-18 (轿架直梁安装)

- 特征:
- 采用永磁同步电机, 额定转矩大, 效率高, 环保节能
 - 采用同步带直接传动, 无滑差, 无需润滑, 运行平稳噪音更低
 - 采用具有轿门锁功能的同步门刀, 实现门挂板上安装, 结构更紧凑
 - 采用全闭环控制技术, 调试简便, 安全可靠

Serial NO: OMJ-18 (Straight Beam Installation)

- Feature:
- With permanent magnet motor, wide torque range, high efficiency, environmental protection, energy saving
 - The synchronous belt drive directly, no slip, no lubrication, running smoothly in lower noise
 - The door is equipped with synchronous door vane with door lock function and can be installed on door hanger to make the structure more compact
 - Full-closed-loop control technology, safe, reliable and easy to adjust

主要附件图 / Accessories:



变频器 (可选) Inverter(optional)
Drawing NO:NICE-D-A-SOP4-OL2

AAD03040D

安装臂组件
Installation arm module
Drawing NO:OMJ06.2D

直拉杆组件 / 长拉杆组件
Straight tie-rod module / long tie-rod module
Drawing NO:OMJ02.5/OMJ02.6



大拉钩 / 小拉钩
Big pull hook / small pull hook
Drawing NO:OMJ01.26/OMJ01.32

(带轿门锁) 同步门刀
(with door lock function) Synchronous door vane
Drawing NO:OMJ16.2-02

安装侧板组件
Side bracket for installation
Drawing NO:OMJ17.1.11



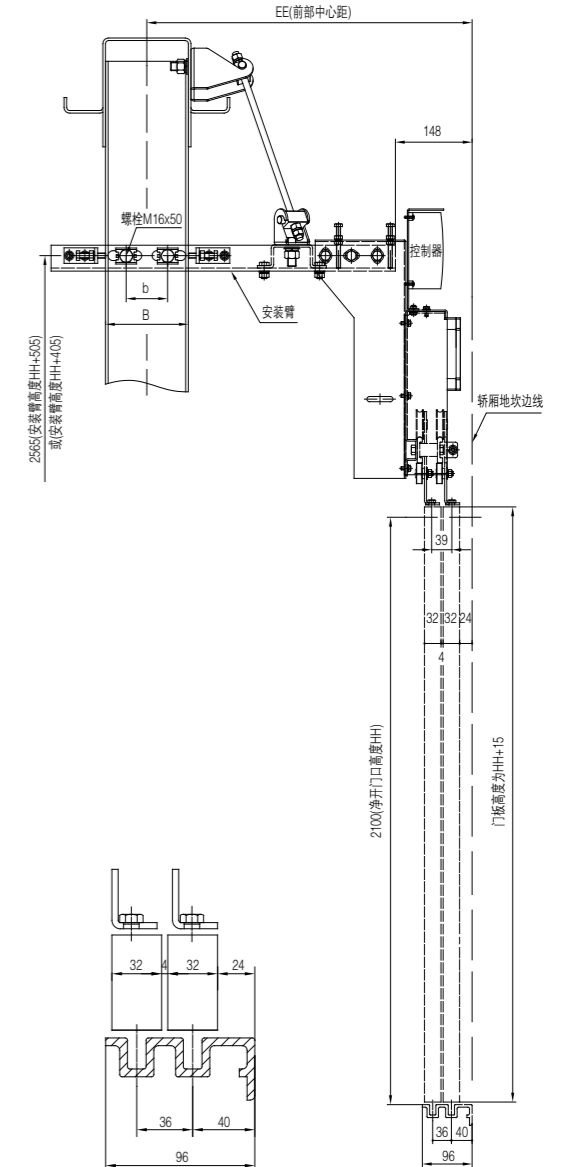
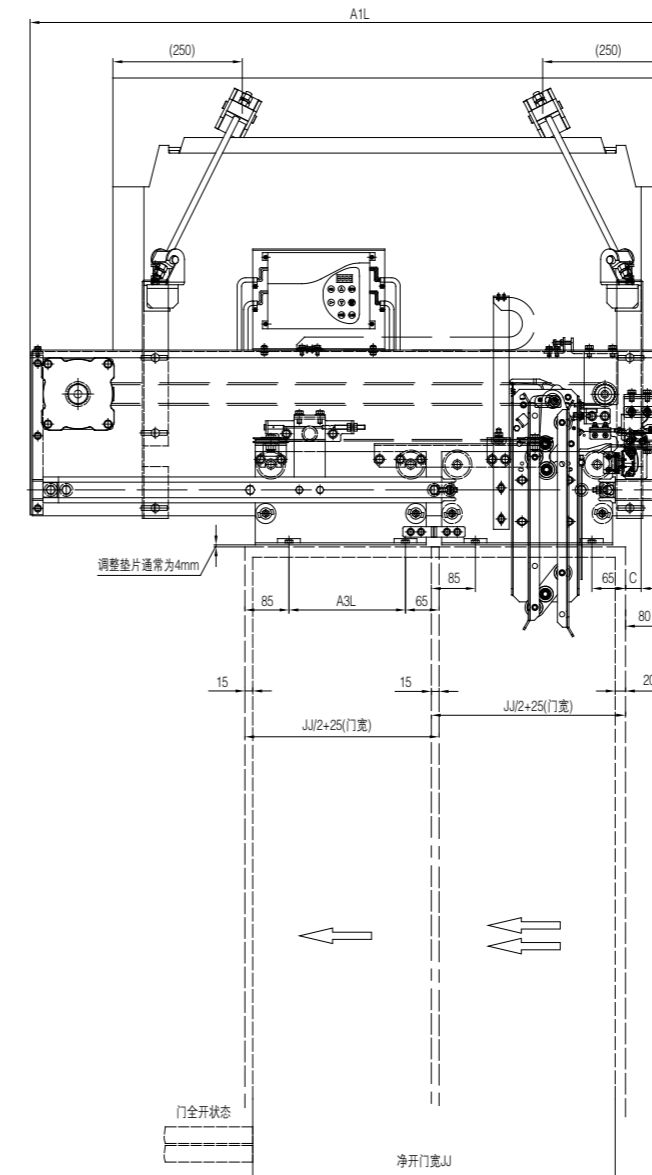
门机小封包
Door operator fixings
Drawing NO:OMJ18.2

OMJ 系列 旁开双折交流永磁同步门机 (轿架直梁安装) 示意图 (图示为左开门)

2-Leafs Side Opening Permanent Magnet Synchronous Door Operator (Straight Beam Installation) Schematic Diagram (Below Shown is Left Opening)

识别号: OMJ-18 (轿架直梁安装)

Serial NO: OMJ-18 (Straight Beam Installation)



净开门宽JJ	700	750	800	850	900	950	1000	1050	1100	1150	1200	1250	1300	1350	1400	1450	1500	1550	1600	1650	1700	1750	1800
A1L	1230	1305	1380	1455	1530	1605	1680	1755	1830	1905	1980	2055	2130	2205	2280	2355	2430	2505	2580	2655	2730	2805	2880
A3L	225	250	275	300	325	350	375	400	425	450	475	500	525	550	575	600	625	650	675	700	725	750	775

OMJ 系列

旁开双折交流永磁同步门机 (轿顶安装)

2-Leafs Side Opening Permanent Magnet Synchronous Door Operator (Car Top Installation)



- 识别号: OMJ-18A (轿顶安装)
- 特征:
- 采用永磁同步电机, 额定转矩大, 效率高, 环保节能
 - 采用同步带直接传动, 无滑差, 无需润滑, 运行平稳噪音更低
 - 采用具有轿门锁功能的同步门刀, 实现门挂板上安装, 结构更紧凑
 - 采用全闭环控制技术, 调试简便, 安全可靠

- Serial NO: OMJ-18A (Car Top Installation)
- Feature:
- With permanent magnet motor, wide torque range, high efficiency, environmental protection, energy saving
 - The synchronous belt drive directly, no slip, no lubrication, running smoothly in lower noise
 - The door is equipped with synchronous door vane with door lock function and can be installed on door hanger to make the structure more compact
 - Full-closed-loop control technology, safe, reliable and easy to adjust

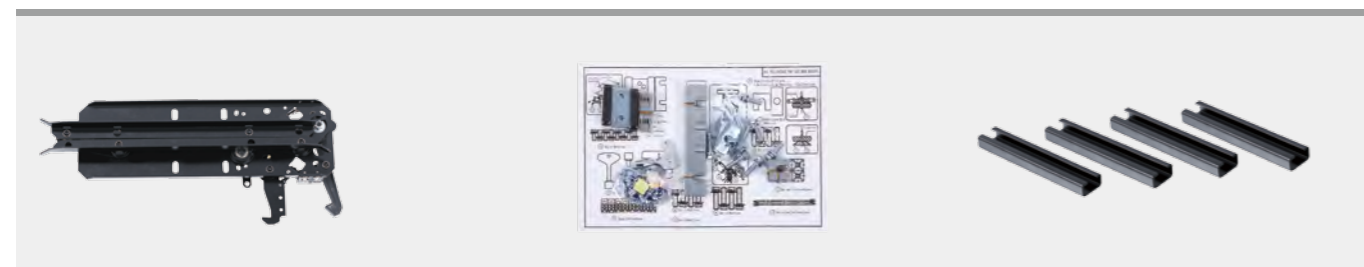
主要附件图 / Accessories:



变频器 (可选) Inverter(optional)
Drawing NO:NICE-D-A-SOP4-OL2

AA03040D

轿顶安装支架 Installation bracket
Drawing NO:OMJ01-01/OMJ01-02



(带轿门锁) 同步门刀
(with door lock function) Synchronous door vane
Drawing NO:OMJ16.2-02

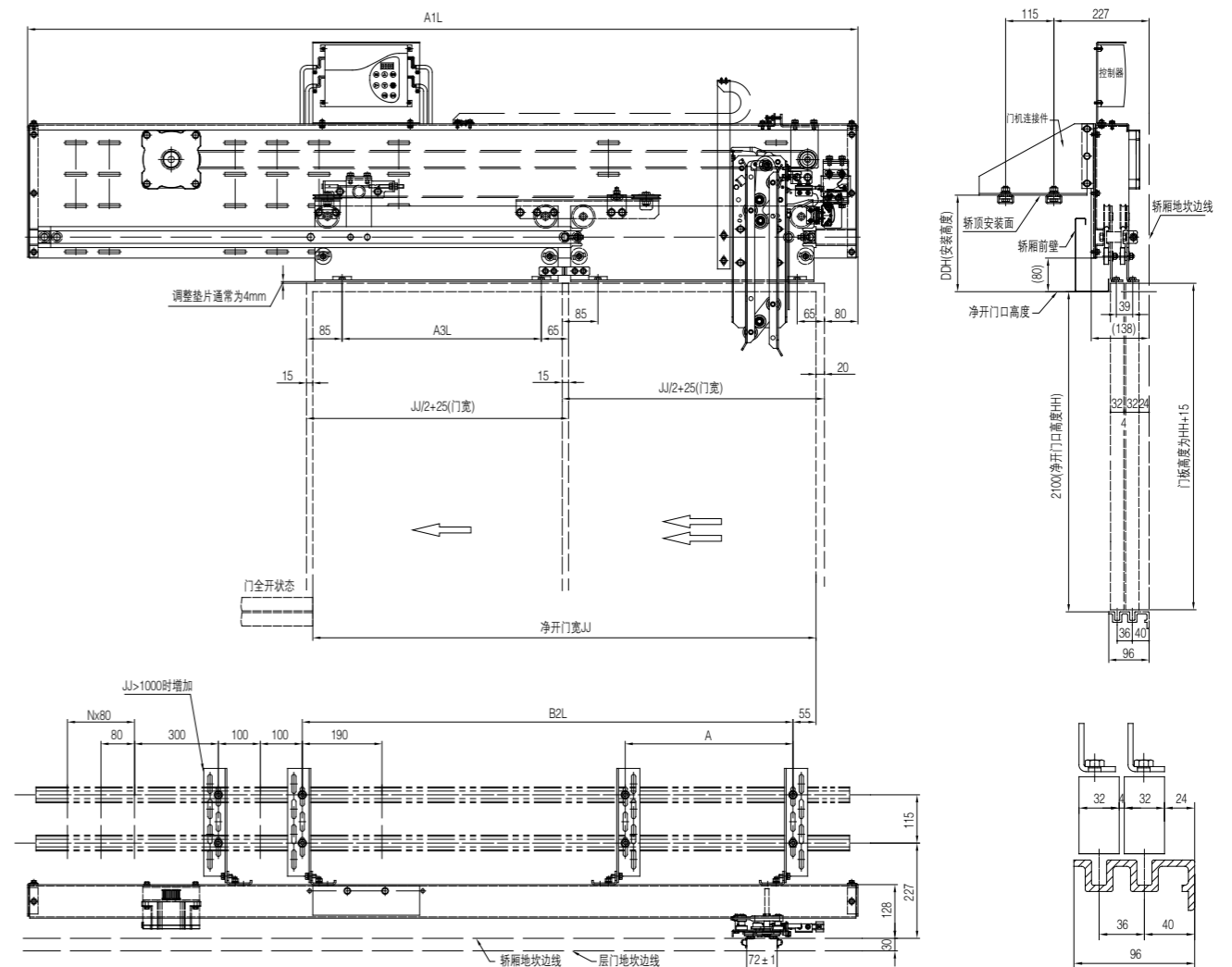
门机小封包 Door operator fixings
Drawing NO:OMJ18.2

轿顶安装 C 型管 (选配)
Fixing pipe for car top installation(optional)
Drawing NO:OMJ01-03

OMJ 系列 旁开双折交流永磁同步门机 (轿顶安装) 示意图 (图示为左开门)

2-Leafs Side Opening Permanent Magnet Synchronous Door Operator (Car Top Installation) Schematic Diagram (Below Shown is Left Opening)

识别号: OMJ-18A (轿顶安装)
Serial NO: OMJ-18A (Car Top Installation)



净开门宽 JJ	700	750	800	850	900	950	1000	1050	1100	1150	1200	1250	1300	1350	1400	1450	1500	1550	1600	1650	1700	1750	1800
A1L	1230	1305	1380	1455	1530	1605	1680	1755	1830	1905	1980	2055	2130	2205	2280	2355	2430	2505	2580	2655	2730	2805	2880
A3L	225	250	275	300	325	350	375	400	425	450	475	500	525	550	575	600	625	650	675	700	725	750	775
A	-	-	-	-	-	-	-	-	-	-	-	-	-	-	-	525	550	575	600	625	650	675	700
B2L	670	720	770	820	870	920	970	1020	1070	1120	1170	1220	1270	1320	1370	1420	1470	1520	1570	1620	1670	1720	1770

OCM 系列

旁开双折层门装置

2-Leafs Side Opening Landing Door Device

OCM-02A 旁开双折层门装置安装示意图 (图示为左开门)

2-Leafs Side Opening Landing Door Device Installation Schematic Diagram (Below Shown is Left Opening)

识别号: OCM-02A (96 型地坎)
Serial NO:OCM-02A (With Sill in 96mm Width)



- 识别号: OCM-02A (96 型地坎)
- 特征:
- 采用重锤强迫关门方式, 重锤与导向管置于快门门板边缘
 - 开锁方式为门板上开锁, 通过 45Kg 摆锤冲击试验
 - 门锁通过国家电梯检测中心测试合格, 取得 CE、CU-TR 认证
 - 门锁适用电压: AC220V、DC110V
- Serial NO: OCM-02A (With Sill in 96mm Width)
- Feature:
- Closing by weight type, weight and guiding pipe fixed at 2 sides of landing panels
 - Unlocking hole on landing panel, passed 45kg pendulum impact test
 - Door lock qualified by the NATIONAL ELEVATOR INSPECTION CENTER, with CE、CU-TR certificate
 - Voltage for door lock: AC220V, DC110V

主要附件图 / Accessories:



上坎安装座 Installation stand
Drawing NO:A1066E 100.7

侧安装板 Side bracket for installation
Drawing NO:OCM05.2

导向管槽 Guiding pipe
Drawing NO:OCM02A-1

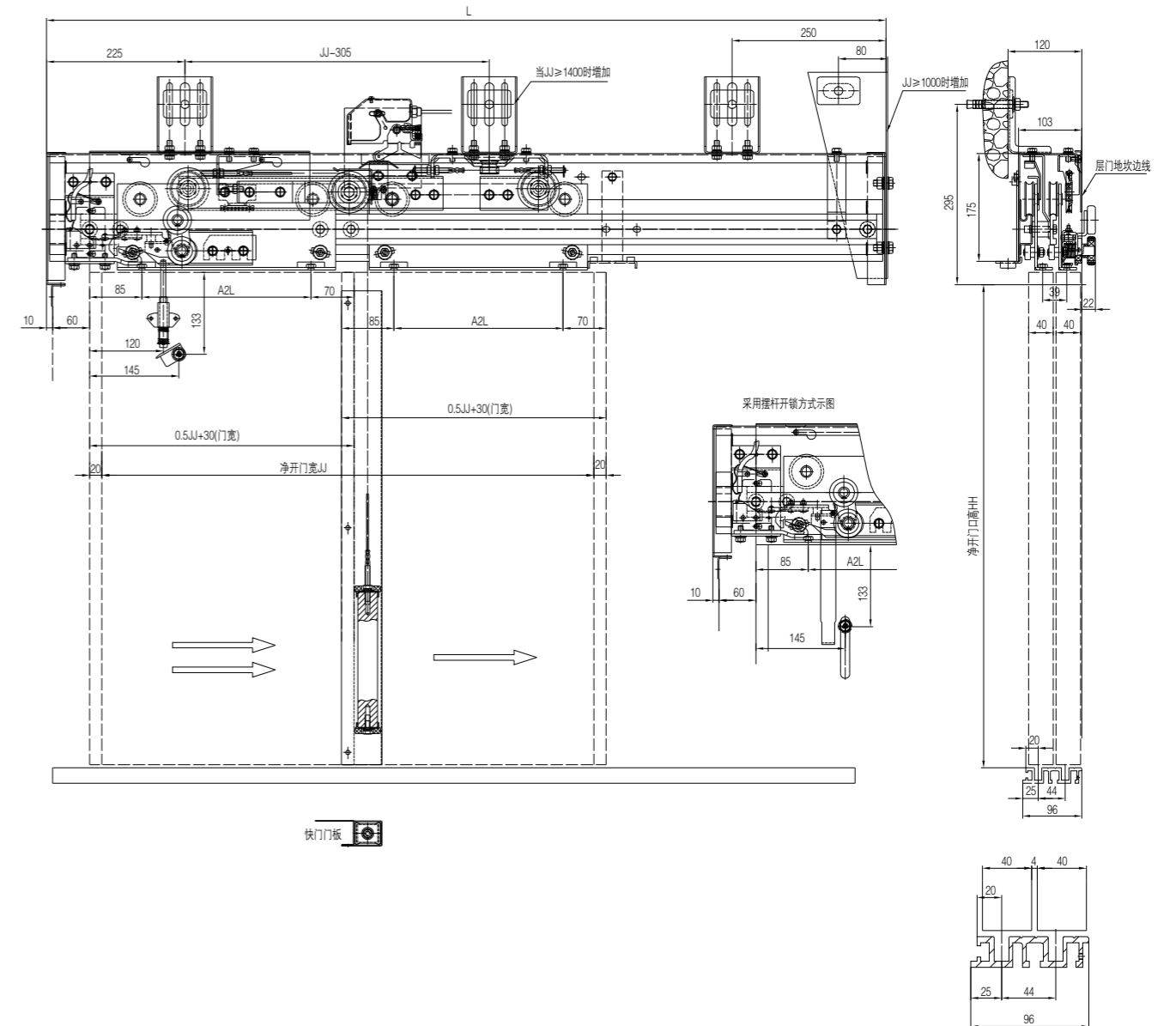
重锤组件 Weight module
Drawing NO:OCM02A.3



轿门锁撞弓 Hitting bow for door lock
Drawing NO:OPJ314

层门小零件组件 Spare parts
Drawing NO:OCM02A.2

DS131 轿门开关 131 Door switch
Drawing NO:A1055C131



净开门 JJ	700	800	900	1000	1100	1200	1300	1400	1500	1600	1700	1800
L	1215	1365	1515	1665	1815	1965	2115	2265	2415	2565	2715	2865
A2L	225	275	325	375	425	475	525	575	625	675	725	775
备注	HH ≥ 2000						HH ≥ 2100			HH ≥ 2200		

OCM 系列

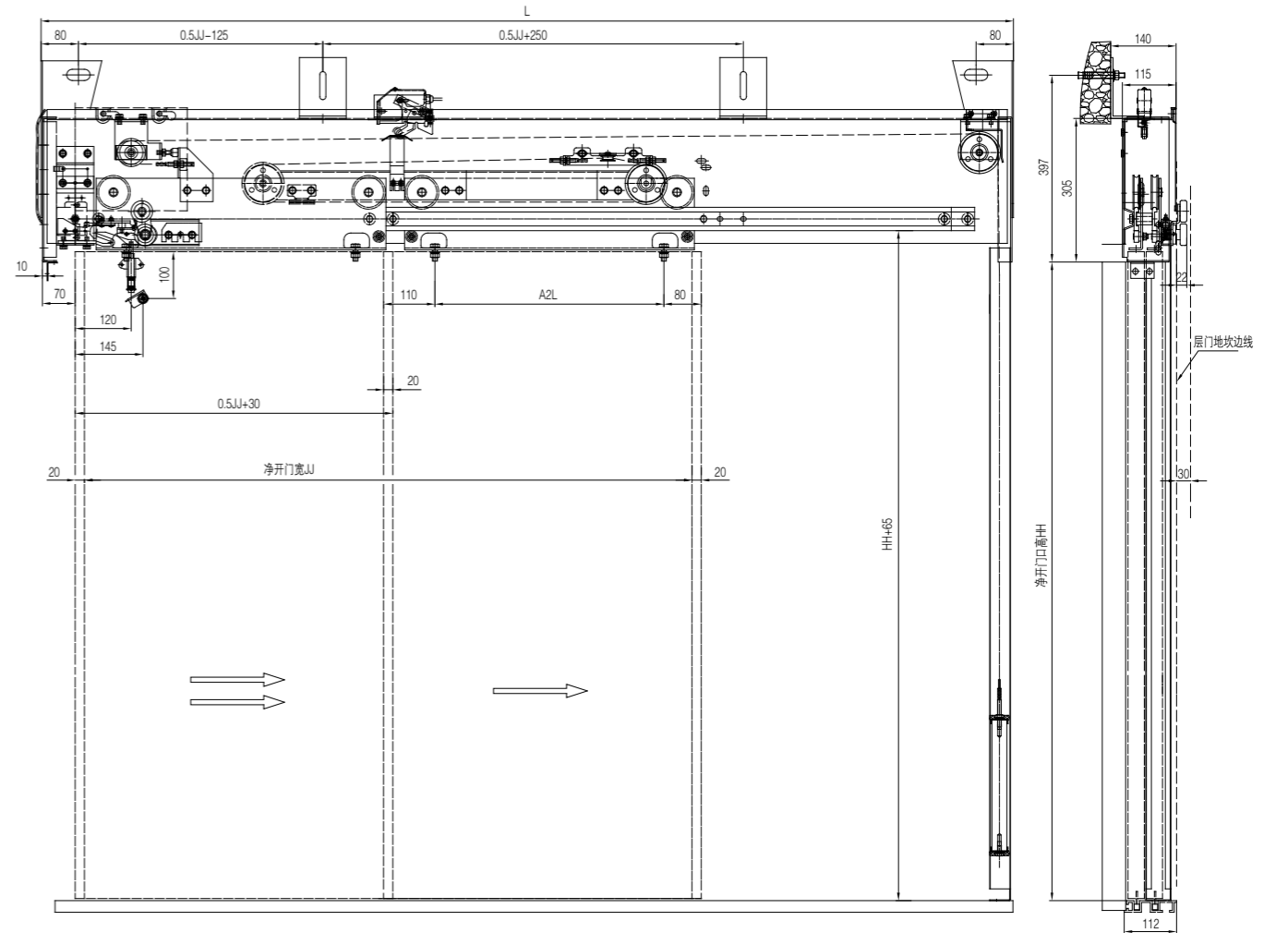
旁开双折层门装置

2-Leafs Side Opening Landing Door Device

OCM-06 旁开双折层门装置安装示意图 (图示为左开门)

2-Leafs Side Opening Landing Door Device Installation Schematic Diagram (Below Shown is Left Opening)

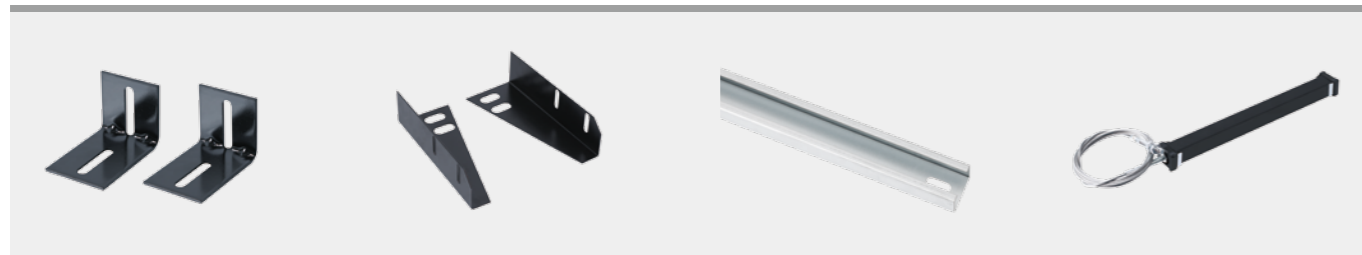
识别号 : OCM-06 (112 型地坎)
Serial NO:OCM-06 (With Sill in 112mm Width)



识别号: OCM-06 (112 型地坎)
特征:
 ●采用重锤强迫关门方式, 重锤与导向管置于层门装置一侧
 ●开锁方式为门板上开锁, 通过 45Kg 摆锤冲击试验
 ●门锁通过国家电梯检测中心测试合格, 取得 CE、CU-TR 认证
 ●门锁适用电压: AC220V、DC110V

Serial NO: OCM-06A (With Sill in 112mm Width)
Feature:
 ● Closing by weight type, weight and guiding pipe fixed at one side of landing device
 ● Unlocking hole on landing panel, passed 45kg pendulum impact test
 ● Door lock qualified by the NATIONAL ELEVATOR INSPECTION CENTER, with CE、CU-TR certificate
 ● Voltage for door lock: AC220V, DC110V

主要附件图 / Accessories:



上坎架安装座 Installation stand
Drawing NO:OCM03.1-4

侧安装板 Side bracket for installation
Drawing NO:OCM05.2

导向管槽 Guiding pipe
Drawing NO:OCM06.4

重锤组件 Weight module
Drawing NO:OCM06.2



轿门锁撞弓 Hitting bow for door lock
Drawing NO:OPJ314

层门小零件组件 Spare parts
Drawing NO:OCM06.3

DS131 轿门开关 131 Door switch
Drawing NO:A1055C131

净开门 JJ	1000	1100	1200	1300	1400	1500	1600	1700	1800
L	1781	1931	2081	2231	2381	2531	2681	2831	2981
A2L	340	390	440	490	540	590	640	690	740
备注	当 JJ > 1700 时, HH ≥ 2200								

OMJ 系列

旁开单折永磁同步门机

Single-Leaf Side Opening Permanent Magnet Synchronous Door Operator



识别号: OMJ-19 (前壁门楣安装) OMJ-19A (轿顶安装) OMJ-19B (轿架直梁安装)
 特征:
 ○ 门机采用永磁同步电机, 额定转矩大, 节能环保, 运行平稳
 ○ 同步门刀与轿门锁一体, 安装调试方便, 故障率低, 开关门效率高
 ○ 平时时轿门锁与厅门锁同时开锁, 非平层开锁采用牵引钢丝绳
 ○ 本门机符合 GB7588 一号修改单要求

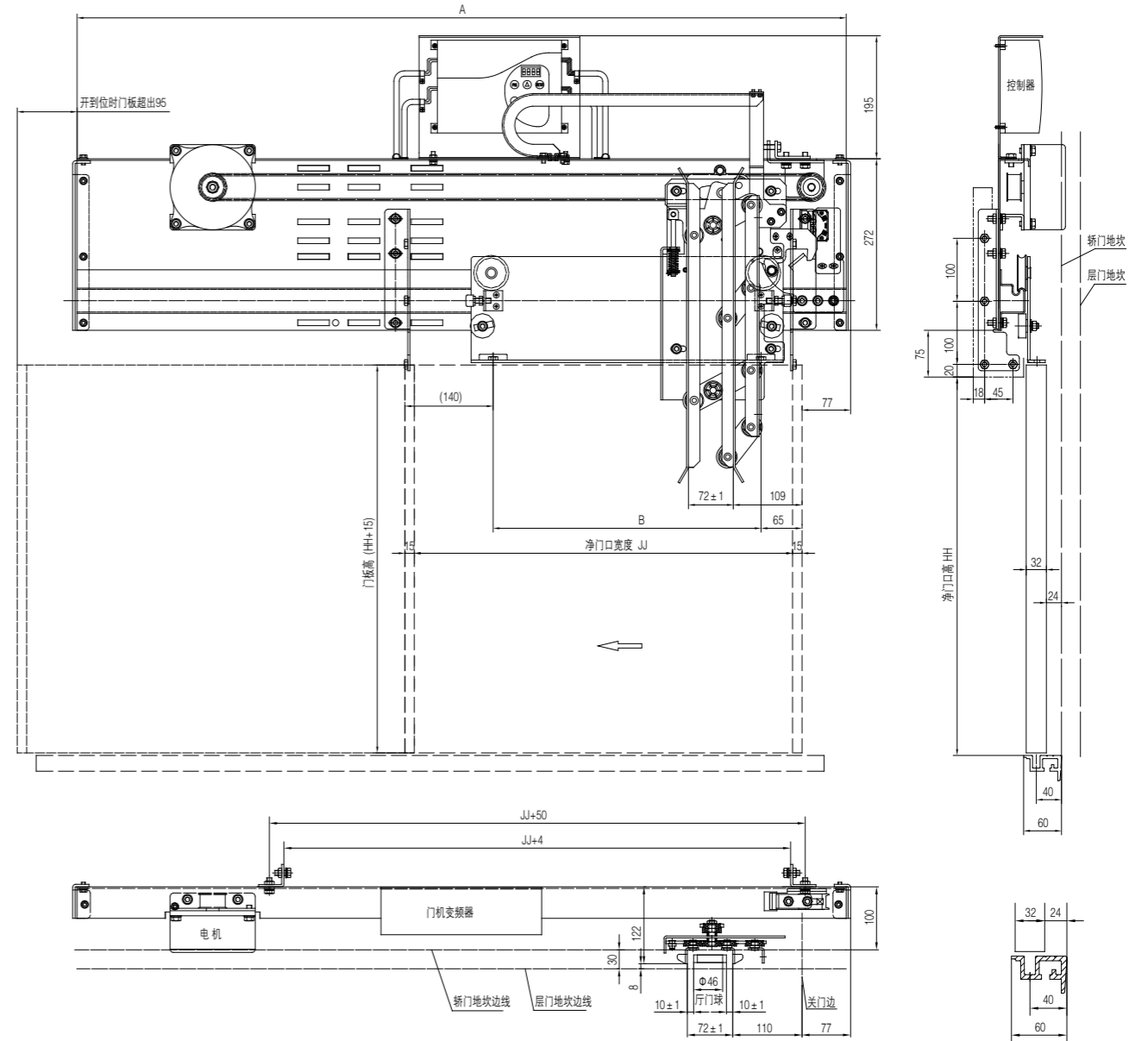
Serial NO: OMJ-19 (On Car Front-Wall Installation) OMJ-19A (Car Top Installation) OMJ-19B (Straight Beam Installation)
 Feature:
 ○ Equipped with PM synchronous motor, wide torque range, environmental protection, energy saving, running smoothly
 ○ Synchronous door vane integrated with car door lock, easy to install and adjust, lower fault rate, improve operating efficiency
 ○ Car door lock and landing door lock are unlocked synchronously when leveling, while traction wire rope is used for unlocking when unleveling
 ○ This door operator conforms to the requirements of GB7588 Modification

主要附件图 / Accessories:

通用件 General Parts			
变频器 (可选) Inverter(optional) Drawing NO:NICE-D-A-SOP4-OL2	AAD03040D	IMS-DC20P2B1-A (带轿门锁) 同步门刀 (with door lock function) Synchronous door vane Drawing NO:OMD-19	门机小封包 Door operator fixings Drawing NO:OMJ19-1
前壁门楣安装 For Car Front-Wall Installation		轿顶安装 For Car Top Installation	
门楣安装支架 Installation brackets Drawing NO:OMJ19-2	轿顶安装支架 Installation brackets Drawing NO:OMJ01-01/ OMJ01-02	轿顶安装 C 型管 (选配) Fixing pipe for car top installation(optional) Drawing NO:OMJ01-03	加强安装支架 Strengthened installation bracket Drawing NO:OMJ11-1B
轿架直梁安装 For Straight Beam Installation			
安装臂组件 Installation arm module Drawing NO:OMJ01.23D	直拉杆组件 / 长拉杆组件 Straight tie-rod module / long tie-rod module Drawing NO:OMJ01.25/OMJ01.24	大拉钩 / 小拉钩 Big pull hook / small pull hook Drawing NO:OMJ01.26/OMJ01.32	安装侧板组件 Side bracket for installation Drawing NO:OMJ19-3

OMJ 系列 旁开单折永磁同步门机 (前壁门楣安装) 示意图 (图示为左开门) Single-Leaf Side Opening Permanent Magnet Synchronous Door Operator (On Car Front-Wall Installation) Schematic Diagram (Below Shown is Left Opening)

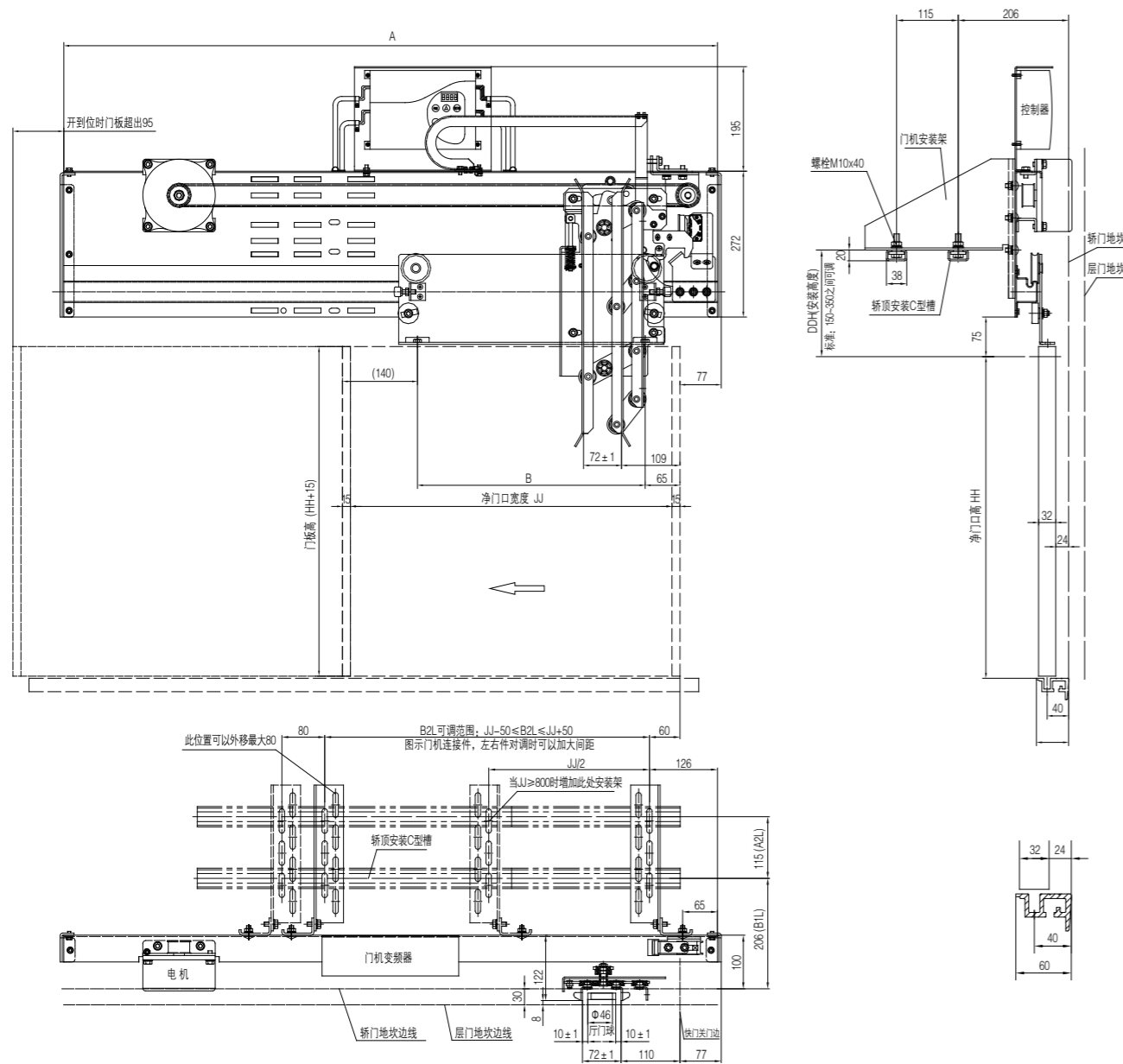
识别号: OMJ-19 (前壁门楣安装)
 Serial NO:OMJ-19 (On Car Front-Wall Installation)



净开门宽 JJ	600	650	700	750	800	850	900
A=2JJ+20	1220	1320	1420	1520	1620	1720	1820
B=JJ-175	425	475	525	575	625	675	725

OMJ 系列 旁开单折永磁同步门机 (轿顶安装) 示意图 (图示为左开门)
 Single-Leaf Side Opening Permanent Magnet Synchronous Door Operator
 (Car Top Installation) Schematic Diagram (Below Shown is Left Opening)

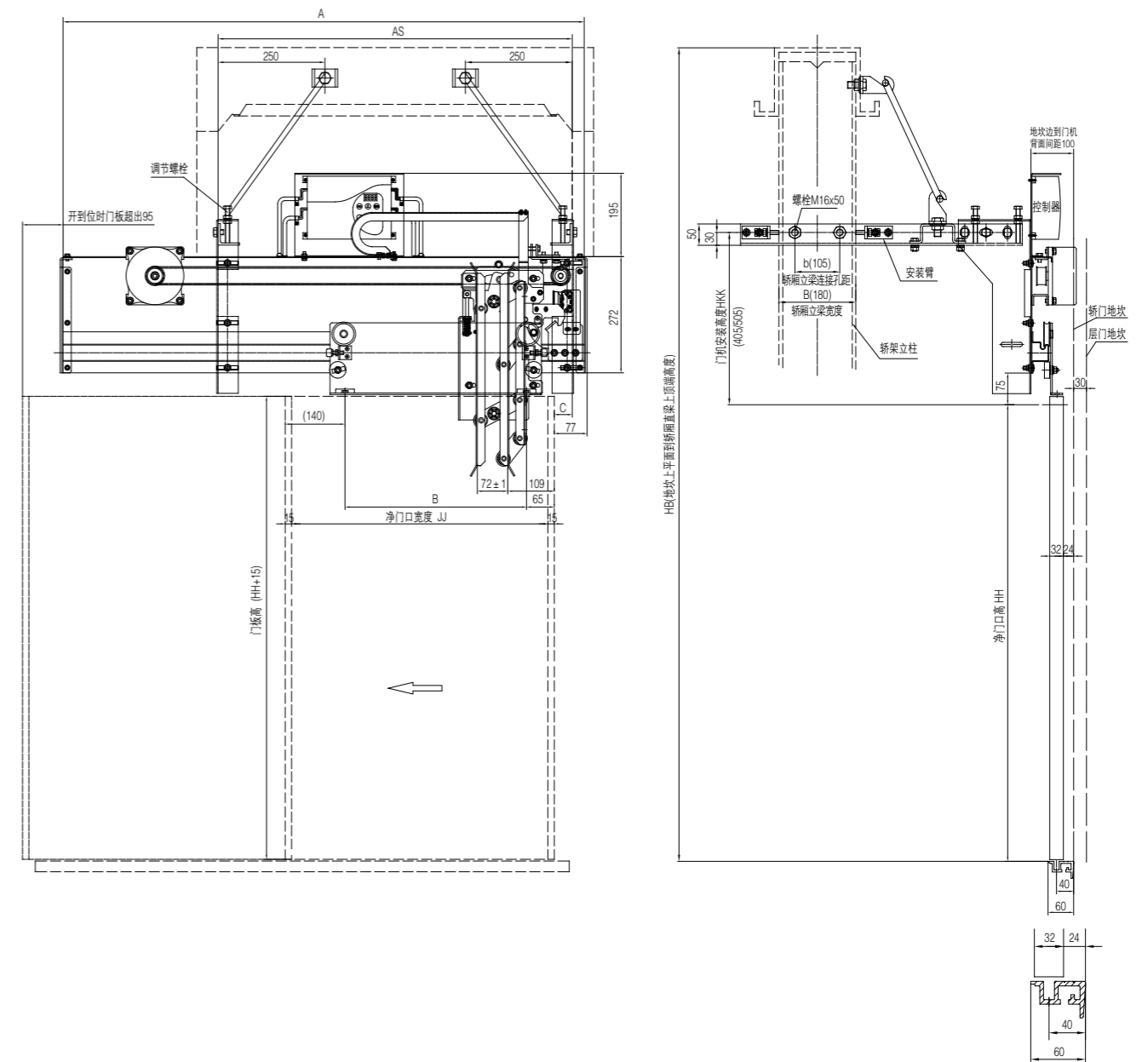
识别号: OMJ-19A (轿顶安装)
 Serial OMJ-19A (Car Top Installation)



净开门宽 JJ	600	650	700	750	800	850	900
A=2JJ+20	1220	1320	1420	1520	1620	1720	1820
B=JJ-175	425	475	525	575	625	675	725
B2L=JJ	600	650	700	750	800	850	900

OMJ 系列 旁开单折永磁同步门机 (轿架直梁安装) 示意图 (图示为左开门)
 Single-Leaf Side Opening Permanent Magnet Synchronous Door Operator
 (Straight Beam Installation) Schematic Diagram (Below Shown is Left Opening)

识别号: OMJ-19B (轿架直梁安装)
 Serial NO:OMJ-19B (Straight Beam Installation)

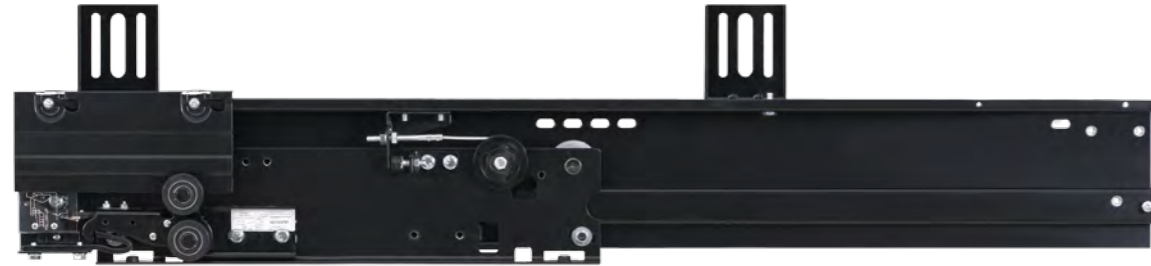


净开门宽 JJ	600	650	700	750	800	850	900
A=2JJ+20	1220	1320	1420	1520	1620	1720	1820
B=JJ-175	425	475	525	575	625	675	725

OCM 系列

旁开单折层门装置

Single-Leaf Side Opening Landing Door Device



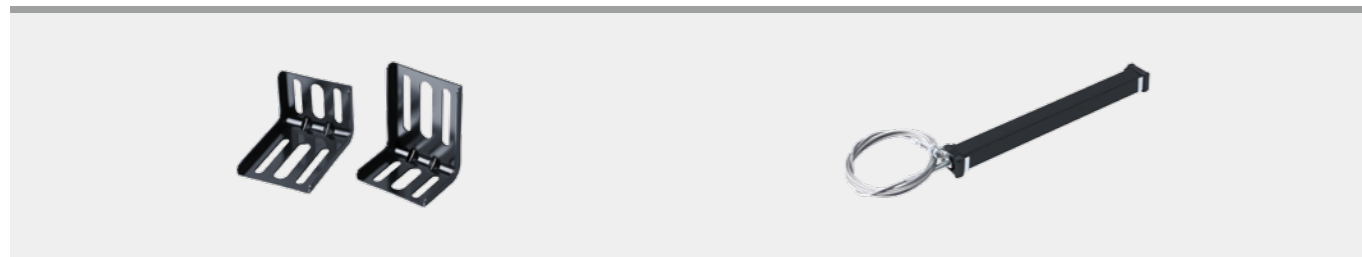
识别号: OCM-19

- 特征:
- 通过 45Kg 摆锤冲击试验, 符合 GB7855 一号修改单要求
 - 采用重锤强迫关门方式, 重锤与导向管置于门板内侧
 - 门锁通过国家电梯检测中心测试合格, 取得 CE、CU-TR 认证
 - 门锁适用电压: AC220V、DC220V

Serial NO: OCM-19

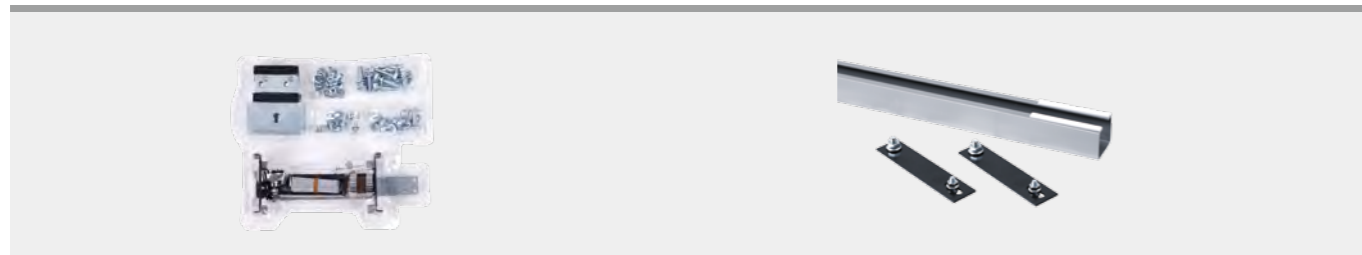
- Feature:
- Passed 45-kilogram pendulum impact test, conform to the requirements of No.1 Amendment of GB7588
 - Closing by weight type, weight and guiding pipe fixed at inner side of landing panel
 - Door lock qualified by the NATIONAL ELEVATOR INSPECTION CENTER, with CE, CU-TR certificate
 - Voltage for door lock: AC220V, DC220V

主要附件图 / Accessories:



上坎安装座 Installation stand
Drawing NO:A1066E 100.7

重锤组件 Weight module
Drawing NO:OCM19-1

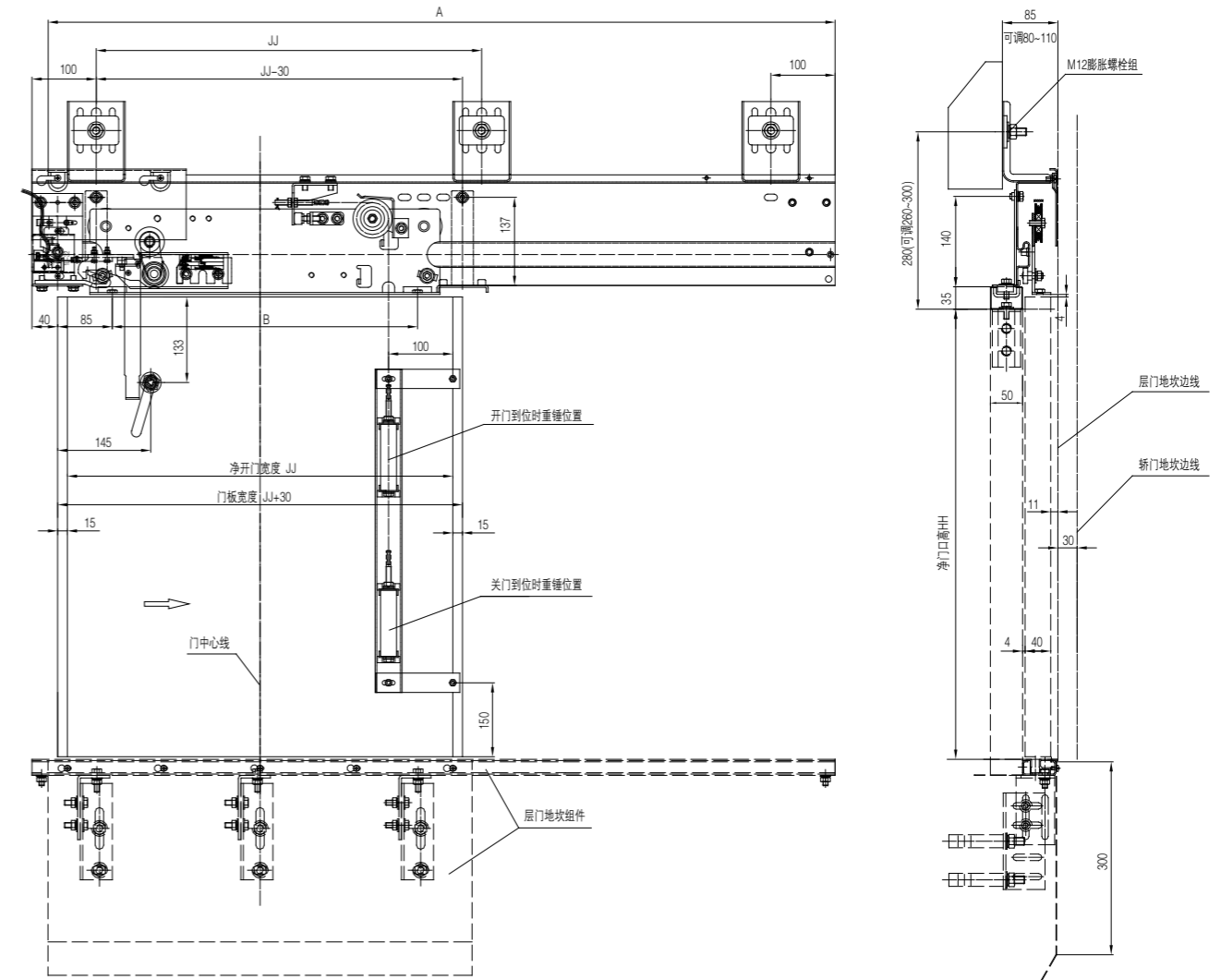


层门小封包 Fixings
Drawing NO:OCM19-2

导向管组件 Guiding pipe module
Drawing NO:D224000

OCM 系列 旁开单折层门装置安装示意图 (图示为左开门) Single-Leaf Side Opening Landing Door Device Installation Schematic Diagram (Below Shown is Left Opening)

识别号: OCM-19
Serial NO: OCM-19

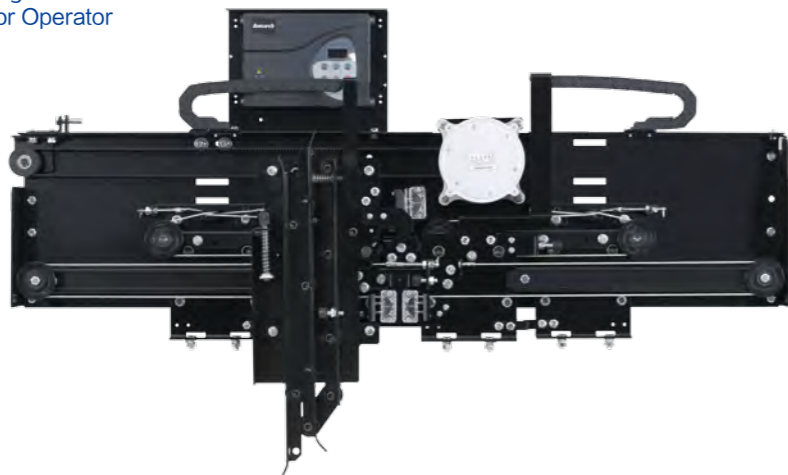


JJ	600	650	700	750	800	850	900
A=2JJ+50	1250	1350	1450	1550	1650	1750	1850
B=JJ-125	475	525	575	625	675	725	775

OMJ 系列

中分双折永磁同步门机

4-Leafs Center Opening Permanent Magnet Synchronous Door Operator



识别号: OMJ-20 (前壁门楣安装) OMJ-20A (轿顶安装) OMJ-20B (轿架直梁安装)

- 特征:
- 门机采用永磁同步电机, 额定转矩大, 节能环保, 运行平稳
 - 同步门刀与轿门锁一体, 安装调试方便, 故障率低, 开关门效率高
 - 平层时轿门锁与厅门锁同时开锁, 非平层开锁采用牵引钢丝绳
 - 本门机符合 GB7588 一号修改单要求

Serial NO: OMJ-20 (On Car Front-Wall Installation) OMJ-20A (Car Top Installation) OMJ-20B (Straight Beam Installation)

- Feature:
- Equipped with PM synchronous motor, wide torque range, environmental protection, energy saving, running smoothly
 - Synchronous door vane integrated with car door lock, easy to install and adjust, lower fault rate, improve operating efficiency
 - Car door lock and landing door lock are unlocked synchronously when leveling, while traction wire rope is used for unlocking when unleveling
 - This door operator conforms to the requirements of GB7588 Modification

主要附件图 / Accessories:

通用件 General Parts



变频器 (可选) Inverter(optional)
Drawing NO:NICE-D-A-SOP4-OL2



AAD03040D



(带轿门锁) 同步门刀 (with door lock function)
Synchronous door vane
Drawing NO:OMD-19



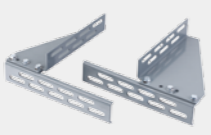
门机小封包
Door operator fixings
Drawing NO:OMJ20-1

前壁门楣安装 For Car Front-Wall Installation

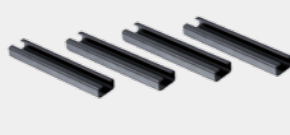


门楣安装支架
Installation brackets
Drawing NO:OMJ20-2

轿顶安装 For Car Top Installation



轿顶安装支架
Installation brackets
Drawing NO:OMJ01-01/ OMJ01-02



轿顶安装 C 型管 (选配)
Fixing pipe for car top installation(optional)
Drawing NO:OMJ01-03



加强安装支架
Strengthened installation bracket
Drawing NO:OMJ11-1B

轿架直梁安装 For Straight Beam Installation



安装臂组件
Installation arm module
Drawing NO:OMJ06.2D



直拉杆组件 / 长拉杆组件
Straight tie-rod module / long tie-rod module
Drawing NO:OMJ02.5/OMJ02.6



大拉钩 / 小拉钩
Big pull hook / small pull hook
Drawing NO:OMJ01.26/OMJ01.32

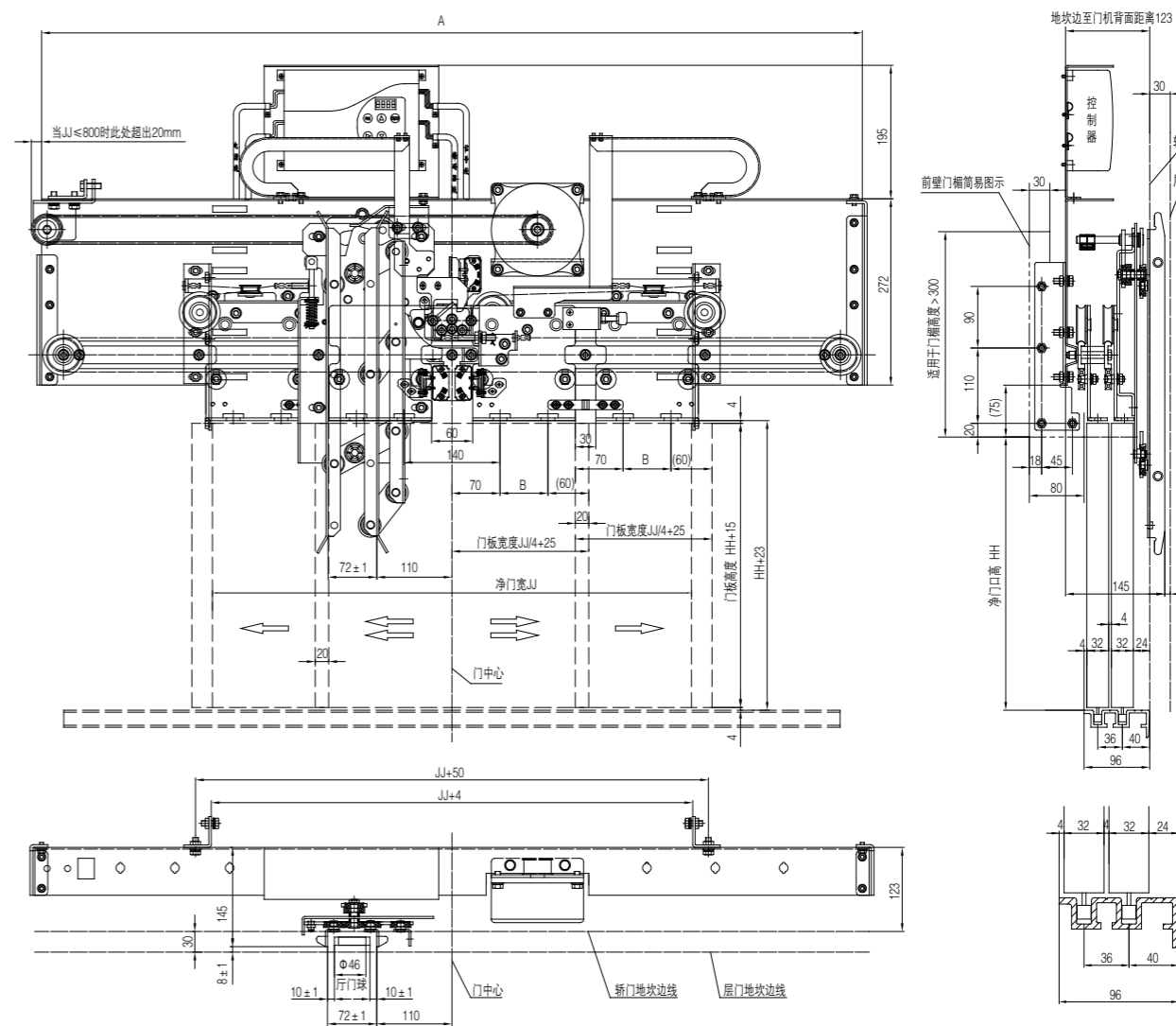


安装侧板组件
Side bracket for installation
Drawing NO:OMJ20-3

OMJ 系列 中分双折永磁同步门机 (前壁门楣安装) 示意图

4-Leafs Center Opening Permanent Magnet Synchronous Door Operator (On Car Front-Wall Installation) Schematic Diagram

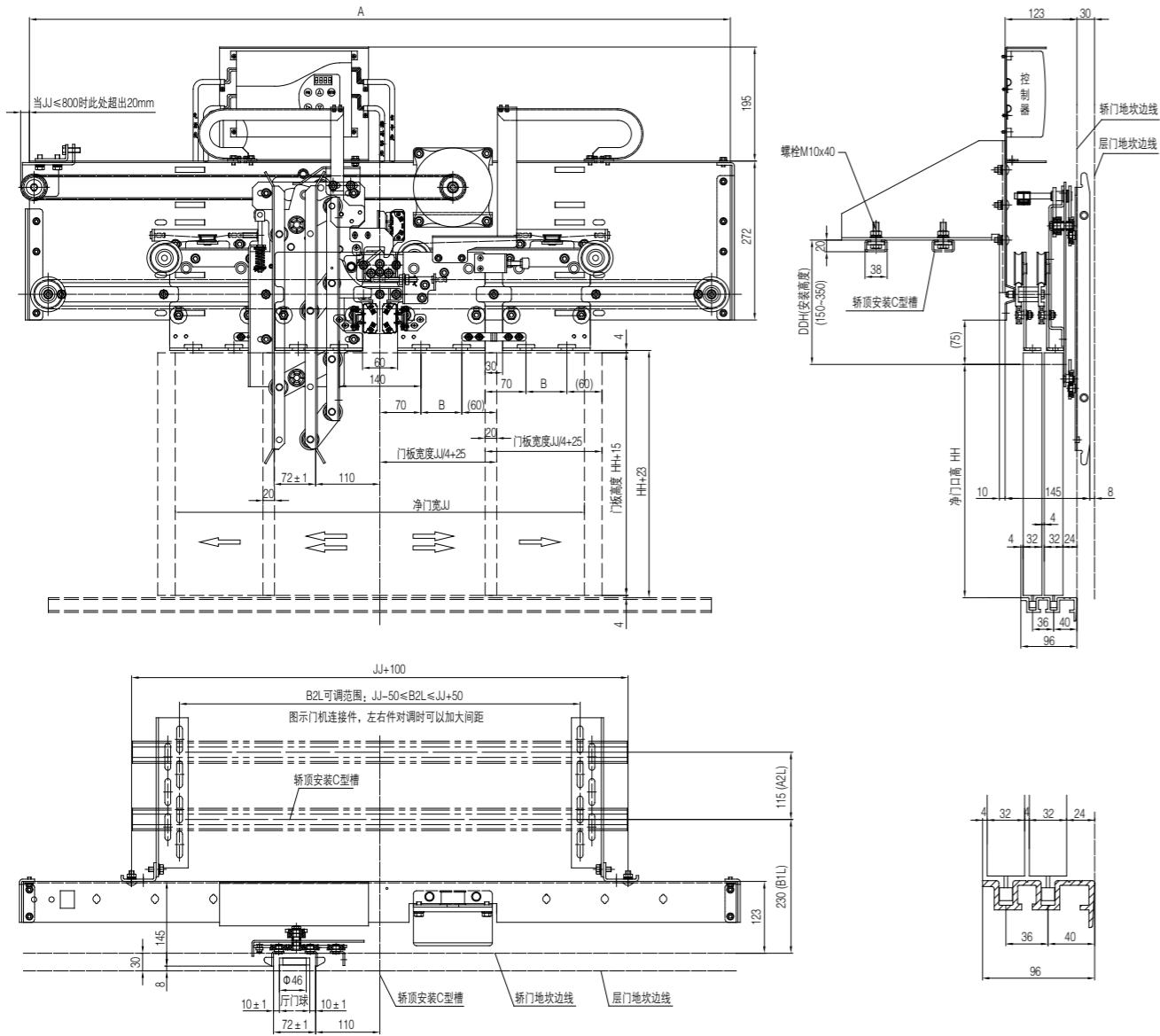
识别号: OMJ-20 (前壁门楣安装)
Serial OMJ-20 (On Car Front-Wall Installation)



JJ	700	750	800	850	900	950	1000	1050	1100	1150	1200	1250	1300	1350	1400
A	1200	1275	1350	1425	1500	1575	1650	1725	1800	1875	1950	2025	2100	2175	2250
B	70	82	95	107	120	132	145	157	170	182	195	207	220	232	245

OMJ 系列 中分双折永磁同步门机 (轿顶安装) 示意图
 4-Leafs Center Opening Permanent Magnet Synchronous Door Operator
 (Car Top Installation) Schematic Diagram

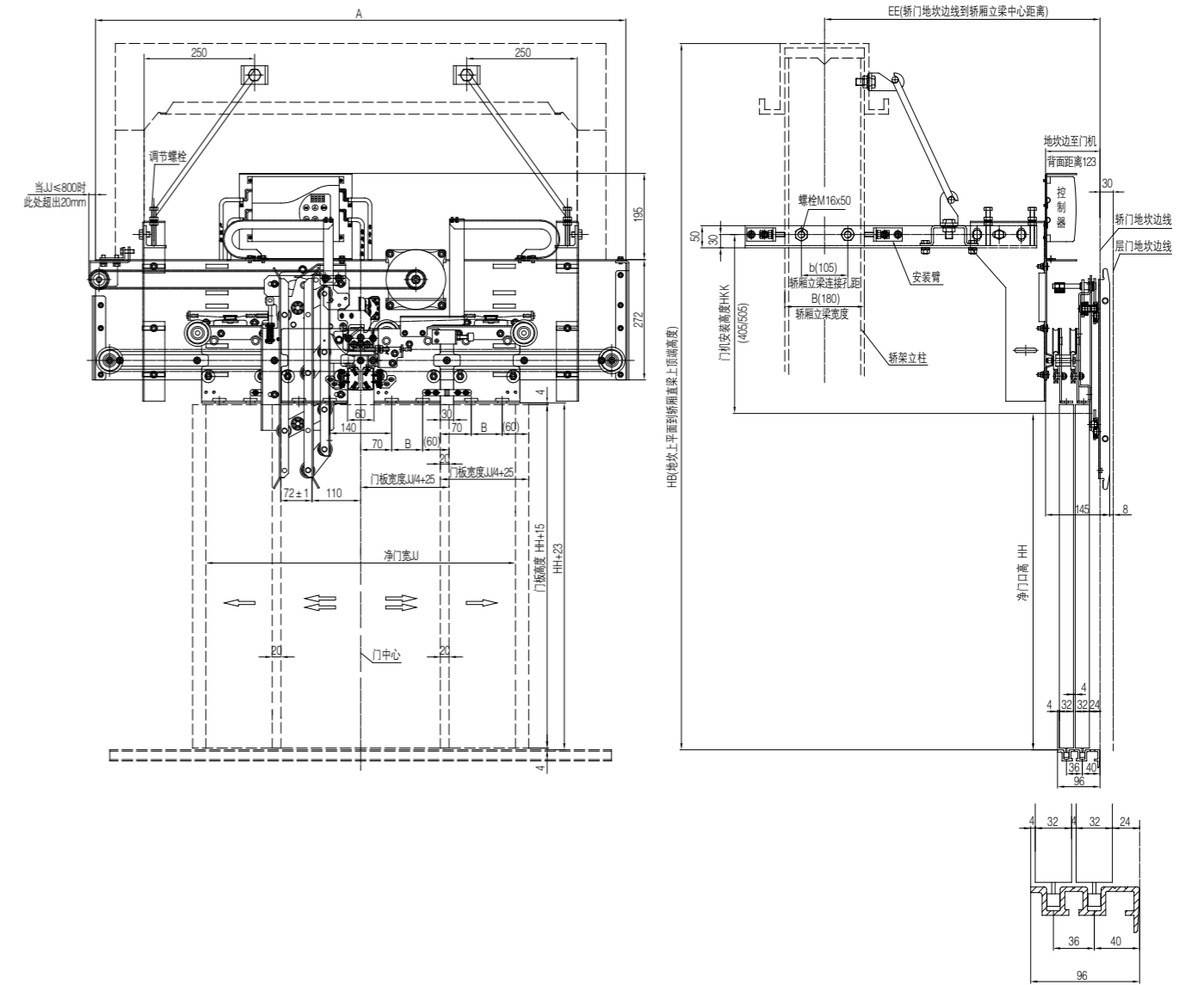
识别号: OMJ-20A (轿顶安装)
 Serial NO: OMJ-20A (Car Top Installation)



JJ	700	750	800	850	900	950	1000	1050	1100	1150	1200	1250	1300	1350	1400
A	1200	1275	1350	1425	1500	1575	1650	1725	1800	1875	1950	2025	2100	2175	2250
B	70	82	95	107	120	132	145	157	170	182	195	207	220	232	245
B2L	700	750	800	850	900	950	1000	1050	1100	1150	1200	1250	1300	1350	1400

OMJ 系列 中分双折永磁同步门机 (轿架直梁安装) 示意图
 4-Leafs Center Opening Permanent Magnet Synchronous Door Operator
 (Straight Beam Installation) Schematic Diagram

识别号: OMJ-20B (轿架直梁安装)
 Serial OMJ-20B (Straight Beam Installation)



JJ	700	750	800	850	900	950	1000	1050	1100	1150	1200	1250	1300	1350	1400
A	1200	1275	1350	1425	1500	1575	1650	1725	1800	1875	1950	2025	2100	2175	2250
B	70	82	95	107	120	132	145	157	170	182	195	207	220	232	245

OCM 系列

中分双折层门装置

4-Leafs Center Opening Landing Door Device

OCM 系列 中分双折层门装置安装示意图

4-Leafs Center Opening Landing Door Device Installation Schematic Diagram

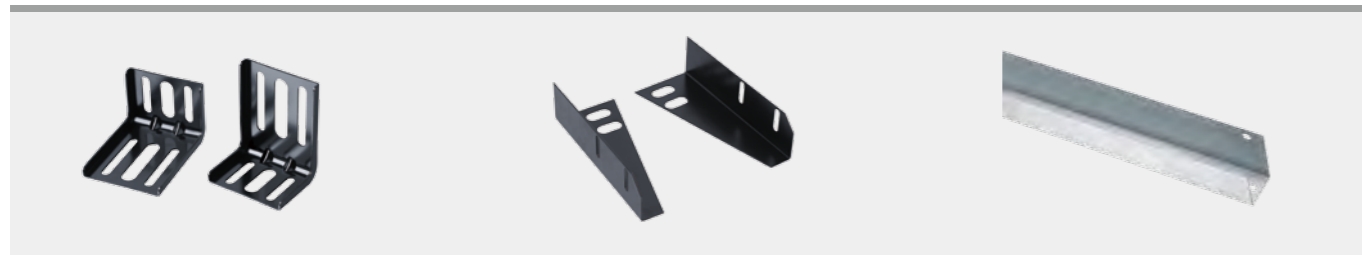
识别号: OCM-20
Serial NO: OCM-20



- 识别号: OCM-20
- 特征:
- 通过 45Kg 摆锤冲击试验, 符合 GB7855 一号修改单要求
 - 采用重锤强迫关门方式, 重锤与导向管置于门板内侧
 - 门锁通过国家电梯检测中心测试合格, 取得 CE 认证
 - 门锁适用电压: AC220V、DC220V

- Serial NO: OCM-20
- Feature:
- Passed 45-kilogram pendulum impact test, conforms to the requirements of No.1 Amendment of GB7588
 - Closing by weight type, weight and guiding pipe fixed at inner side of landing panel
 - Door lock qualified by the NATIONAL ELEVATOR INSPECTION CENTER, with CE certificate
 - Voltage for door lock: AC220V, DC220V

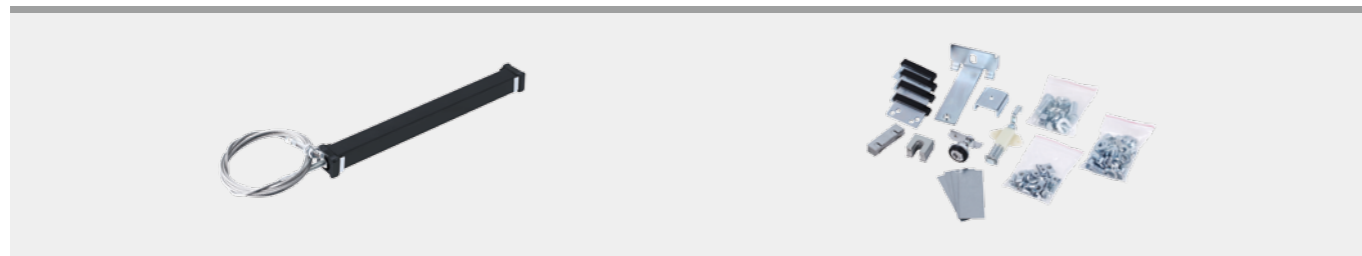
主要附件图 / Accessories:



上坎安装座 Installation stand
Drawing NO:A1066E 100.7

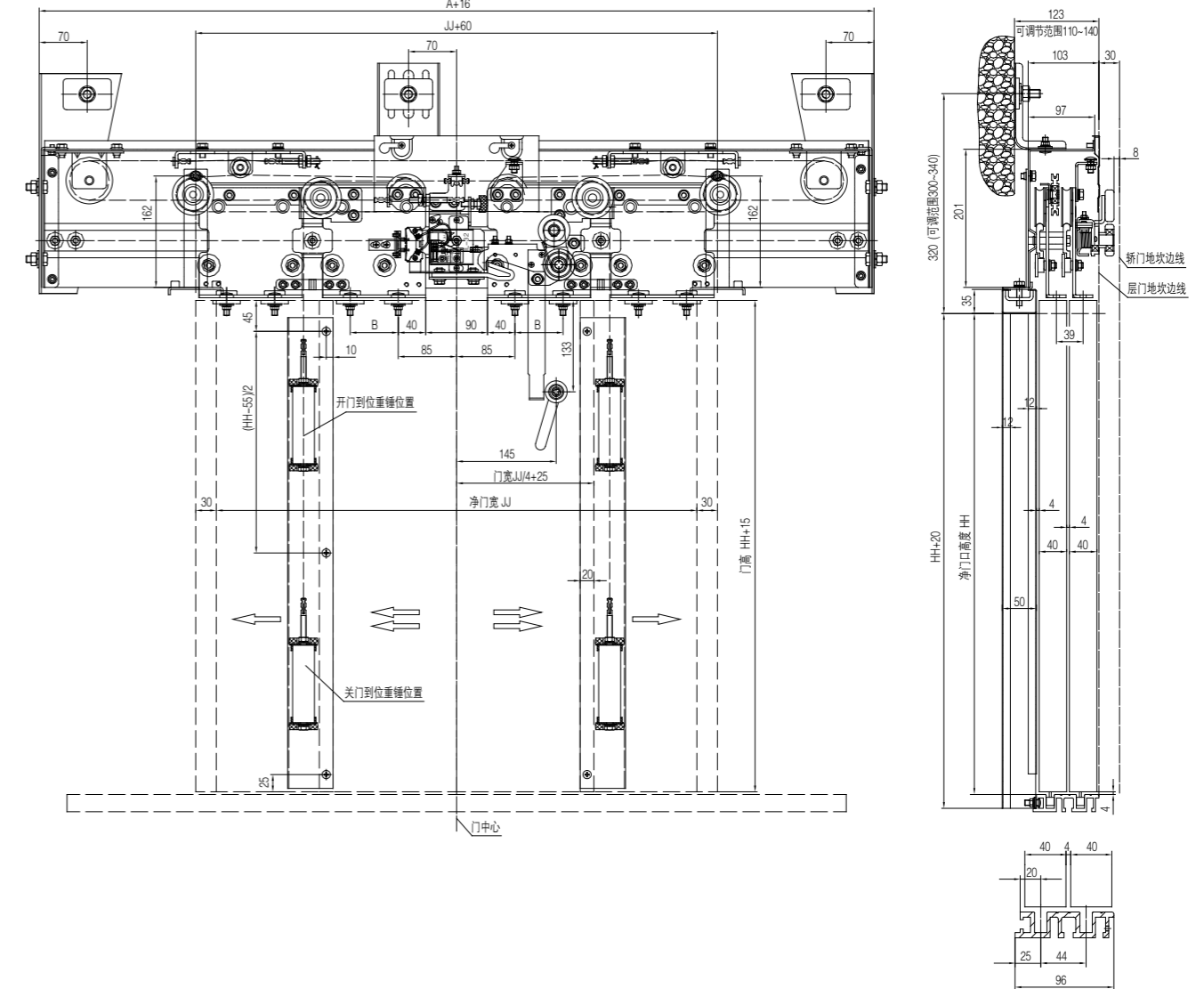
侧安装板 Side bracket for installation
Drawing NO:OCM20-1

导向管槽 Guiding pipe
Drawing NO:OCM02A-1



重锤组件 Weight module
Drawing NO:OCM20-2

层门小零件组件 Spare parts
Drawing NO:OCM20-3



JJ	700	750	800	850	900	950	1000	1050	1100	1150	1200	1250	1300	1350	1400
A	1200	1275	1350	1425	1500	1575	1650	1725	1800	1875	1950	2025	2100	2175	2250
B	70	82	95	107	120	132	145	157	170	182	195	207	220	232	245

OMJ 系列

旁开双折永磁同步门机

2-Leafs Side Opening Permanent Magnet Synchronous Door Operator



识别号: OMJ-21 (前壁门楣安装) OMJ-21A (轿顶安装) OMJ-21B (轿架直梁安装)

特征:

- 门机采用永磁同步电机, 额定转矩大, 节能环保, 运行平稳
- 同步门刀与轿门锁一体, 安装调试方便, 故障率低, 开关门效率高
- 平时时轿门锁与厅门锁同时开锁, 非平层开锁采用牵引钢丝绳
- 本门机符合 GB7588 一号修改单要求

Serial NO: OMJ-21 (On Car Front-Wall Installation) OMJ-21A (Car Top Installation) OMJ-21B (Straight Beam Installation)

Feature:

- Equipped with PM synchronous motor, wide torque range, environmental protection, energy saving, running smoothly
- Synchronous door vane integrated with car door lock, easy to install and adjust, lower fault rate, improve operating efficiency
- Car door lock and landing door lock are unlocked synchronously when leveling, while traction wire rope is used for unlocking when unleveling
- This door operator conforms to the requirements of GB7588 Modification

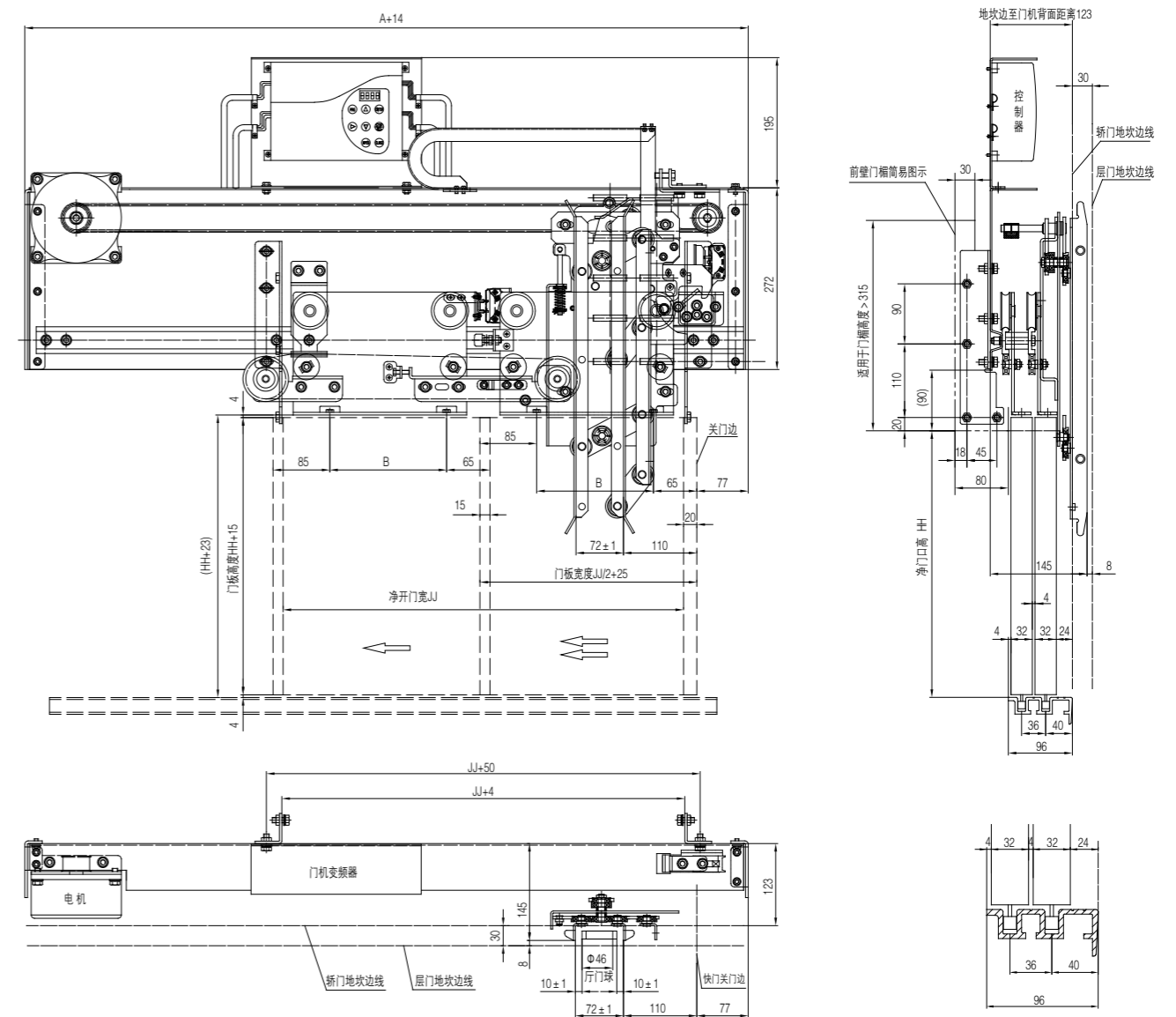
主要附件图 / Accessories:

通用件 General Parts			
变频器 (可选) Inverter(optional) Drawing NO:NICE-D-A-SOP4-OL2	AAD03040D	(带轿门锁) 同步门刀 (with door lock function) Synchronous door vane Drawing NO:OMD-19	门机小封包 Door operator fixings Drawing NO:OMJ21-1
前壁门楣安装 For Car Front-Wall Installation		轿顶安装 For Car Top Installation	
门楣安装支架 Installation brackets Drawing NO:OMJ21-2	轿顶安装支架 Installation brackets Drawing NO:OMJ01-01/ OMJ01-02	轿顶安装 C 型管 (选配) Fixing pipe for car top installation(optional) Drawing NO:OMJ01-03	加强安装支架 Strengthened installation bracket Drawing NO:OMJ11-1B
轿架直梁安装 For Straight Beam Installation			
安装臂组件 Installation arm module Drawing NO:OMJ06.2D	直拉杆组件 / 长拉杆组件 Straight tie-rod module / long tie-rod module Drawing NO:OMJ02.5/OMJ02.6	大拉钩 / 小拉钩 Big pull hook / small pull hook Drawing NO:OMJ01.26/OMJ01.32	安装侧板组件 Side bracket for installation Drawing NO:OMJ21-3

OMJ 系列 旁开双折永磁同步门机 (前壁门楣安装) 示意图 (图示为左开门)

2-Leafs Side Opening Permanent Magnet Synchronous Door Operator (On Car Front-Wall Installation) Schematic Diagram (Below Shown is Left Opening)

识别号: OMJ-21 (前壁门楣安装)
Serial OMJ-21 (On Car Front-Wall Installation)

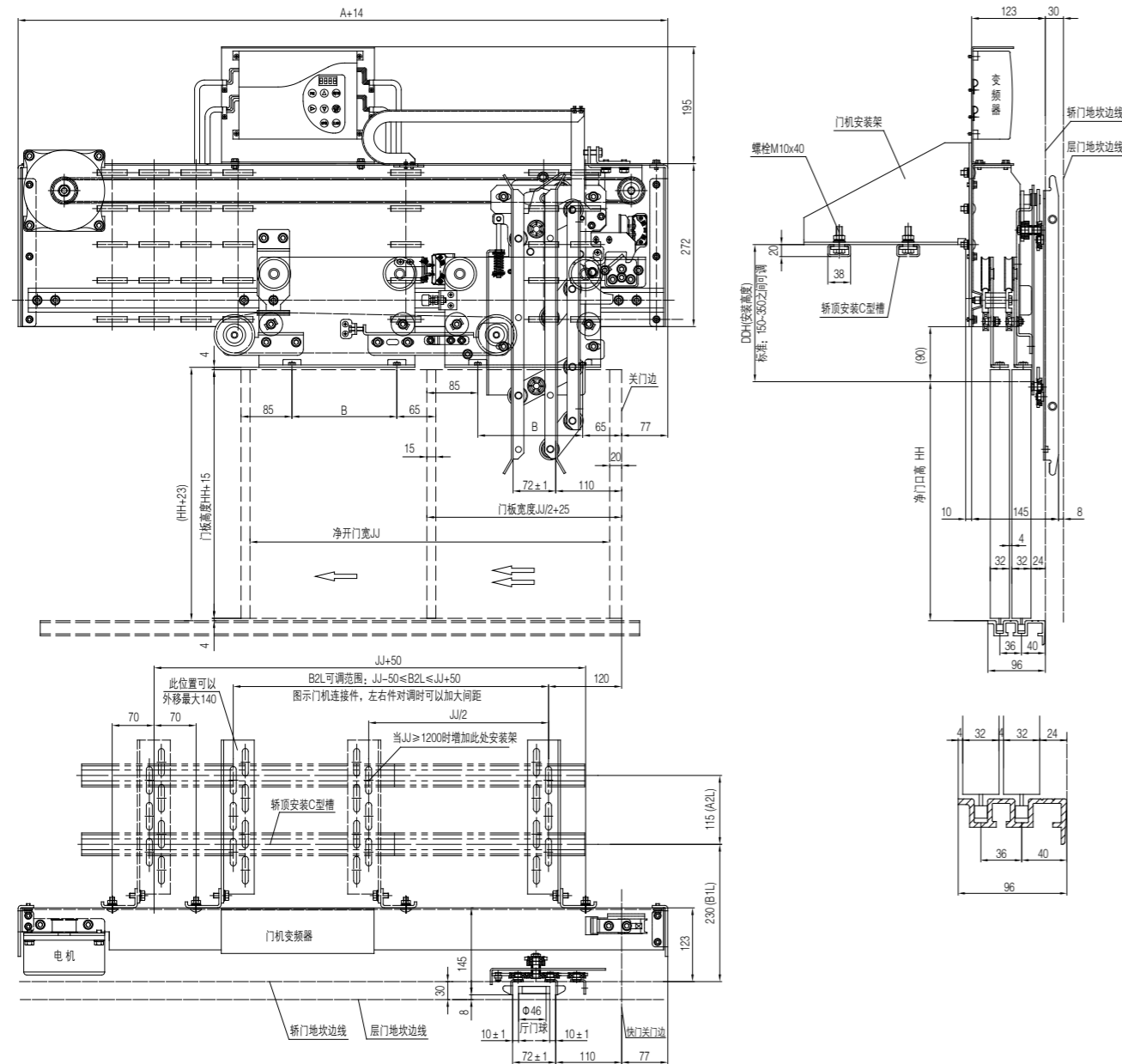


JJ	600	650	700	750	800	850	900	950	1000	1050	1100	1150	1200
A	1070	1145	1170	1245	1310	1395	1470	1545	1620	1695	1770	1845	1920
B	175	200	225	250	275	300	325	350	375	400	425	450	475

JJ	1250	1300	1350	1400	1450	1500	1550	1600	1650	1700	1750	1800
A	1995	2070	2145	2220	2295	2370	2445	2520	2595	2670	2745	2820
B	500	525	550	575	600	625	650	675	700	725	750	775

OMJ 系列 旁开双折永磁同步门机 (轿顶安装) 示意图 (图示为左开门)
 2-Leafs Side Opening Permanent Magnet Synchronous Door Operator
 (Car Top Installation) Schematic Diagram (Below Shown is Left Opening)

识别号: OMJ-21A (轿顶安装)
 Serial OMJ-21A (Car Top Installation)

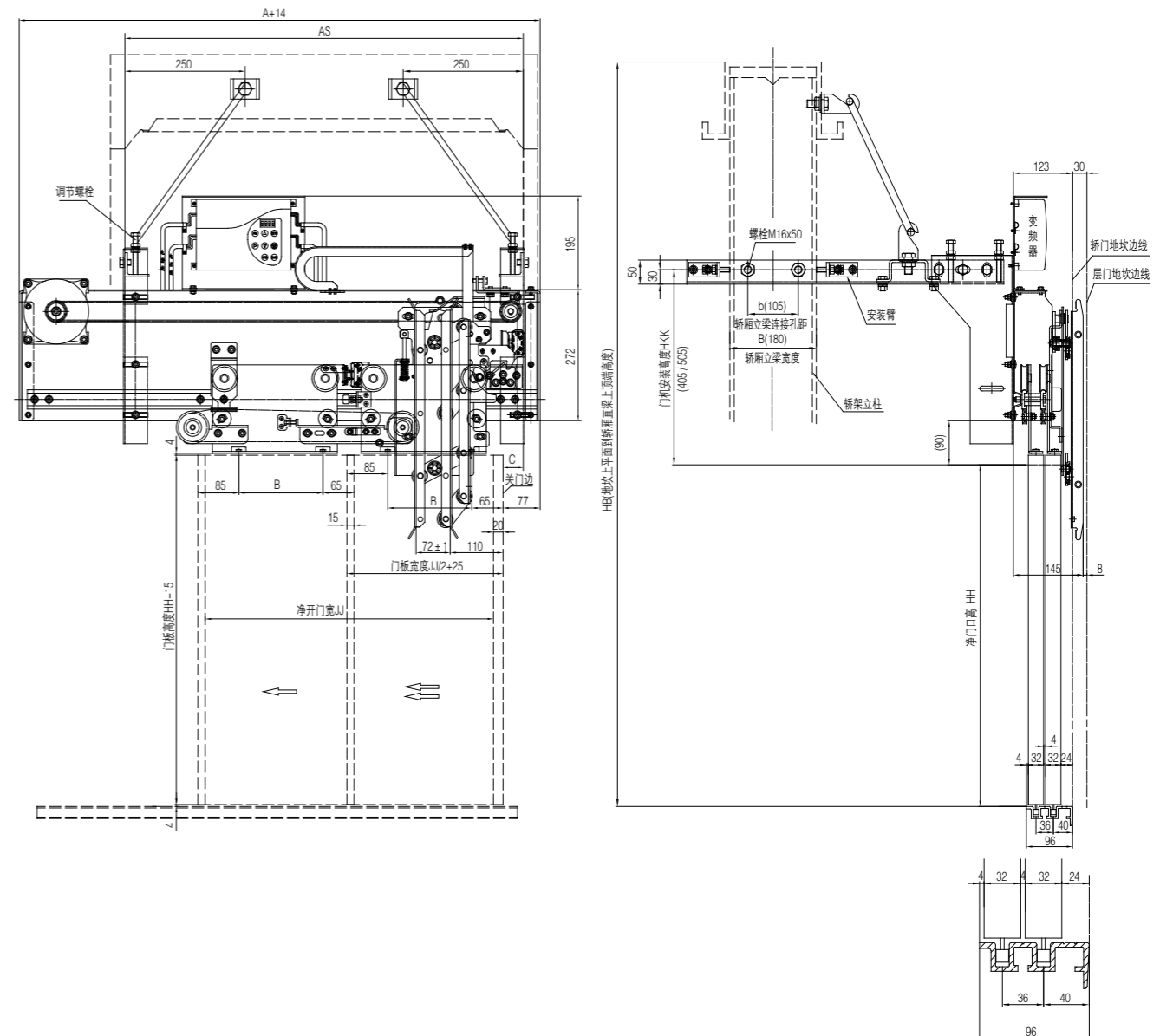


JJ	600	650	700	750	800	850	900	950	1000	1050	1100	1150	1200
A	1070	1145	1170	1245	1310	1395	1470	1545	1620	1695	1770	1845	1920
B	175	200	225	250	275	300	325	350	375	400	425	450	475
B2L	600	650	700	750	800	850	900	950	1000	1050	1100	1150	1200

JJ	1250	1300	1350	1400	1450	1500	1550	1600	1650	1700	1750	1800
A	1995	2070	2145	2220	2295	2370	2445	2520	2595	2670	2745	2820
B	500	525	550	575	600	625	650	675	700	725	750	775
B2L	1250	1300	1350	1400	1450	1500	1550	1600	1650	1700	1750	1800

OMJ 系列 旁开双折永磁同步门机 (轿架直梁安装) 示意图 (图示为左开门)
 2-Leafs Side Opening Permanent Magnet Synchronous Door Operator
 (Straight Beam Installation) Schematic Diagram (Below Shown is Left Opening)

识别号: OMJ-21B (轿架直梁安装)
 Serial OMJ-21B (Straight Beam Installation)



JJ	600	650	700	750	800	850	900	950	1000	1050	1100	1150	1200
A	1070	1145	1170	1245	1310	1395	1470	1545	1620	1695	1770	1845	1920
B	175	200	225	250	275	300	325	350	375	400	425	450	475

JJ	1250	1300	1350	1400	1450	1500	1550	1600	1650	1700	1750	1800
A	1995	2070	2145	2220	2295	2370	2445	2520	2595	2670	2745	2820
B	500	525	550	575	600	625	650	675	700	725	750	775

OMJ 系列

旁开三折门机装置

3-Leafs Side Opening Door Operator



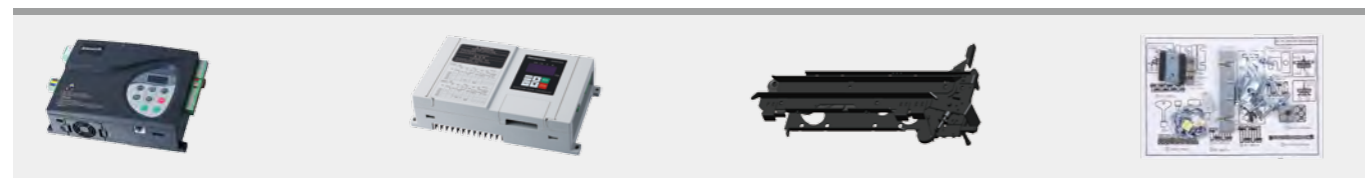
识别号: OMJ-22

- 特征:
- ◎ 导轨采用 1+1 和 1+ 本体形式, 使得导轨更牢靠不变形
 - ◎ 可选用立柱安装, 轿架安装与轿顶安装; 立柱安装采用轿顶固定和地坎斜拉杆加固, 使门机运行更稳固
 - ◎ 采用符合新国标的同步门刀, 使得安全更可靠, 运行更平稳
 - ◎ 门机安装有定位点, 使得门机安装更方便

Serial NO: OMJ-22

- Feature:
- ◎ The guide rails are specially, two rails fixed together, third one fixed on base plate, to secure rails more firm and in shape
 - ◎ Can be installed on sling, straight beam or car top, the sling installation is fixed on car top and reinforced by sling ties fixed on sill, to keep door operator running more stably
 - ◎ Use synchronous door vane which conforms to new requirements of national standards, more reliable, more smoothly
 - ◎ Locating points are prepared for installation, to make installation more easier

主要附件图 / Accessories:



变频器 (可选) Inverter(optional)
Drawing NO: NICE-D-A-SOP4-OL2

AA03040D

同步门刀组件
Synchronous Door Vane
Drawing NO: OMJ22-09

门机小封包 Door operator fixings
Drawing NO: OMJ22-01

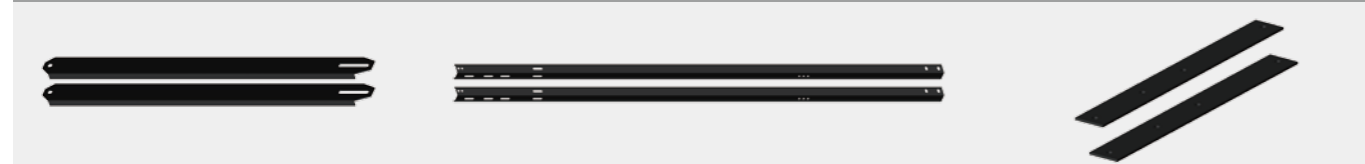


立柱调节件 Sling regulating part
Drawing NO: OMJ22-02

关门限制器组件
Door closing limiter assembly
Drawing NO: OMJ22-03

轿顶安装支架
For car top Installation
Drawing NO: OMJ22-04

拉杆固定座
Tie mounting stand
Drawing NO: OMJ22-05



立柱拉杆 Sling ties
Drawing NO: OMJ22-06

安装立柱 Installation sling
Drawing NO: OMJ22-07

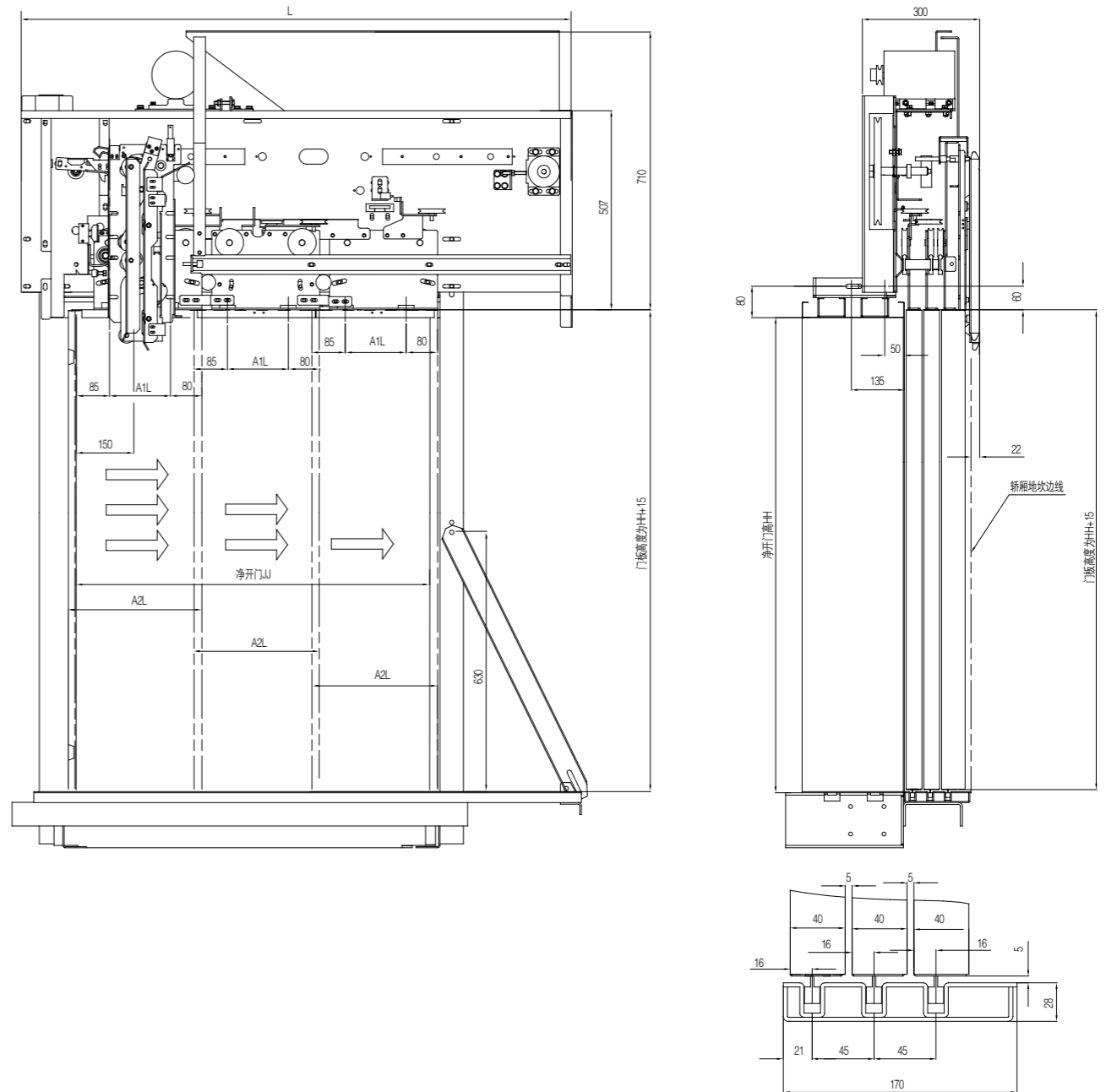
固定板 Fixing plate
Drawing NO: OMJ22-08

OMJ 系列 旁开三折门机装置安装示意图 (示图为右开门)

3-Leafs Side Opening Door Operator Schematic Diagram (Below Shown is Right Opening)

识别号: OMJ-22

Serial NO: OMJ-22

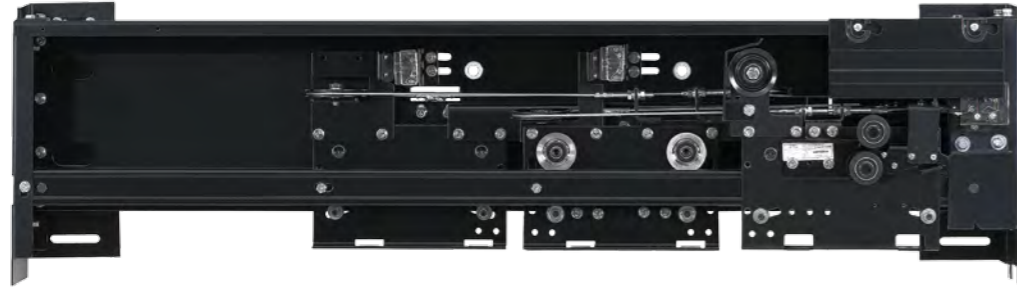


净开门宽 JJ	900	1000	1100	1200	1300	1400	1500	1600	1700	1800	1900	2000	2100	2200	2300
L	1400	1534	1668	1802	1936	2070	2204	2338	2472	2606	2740	2874	3008	3142	3276
A1L	155	189	223	257	291	325	359	393	427	461	495	529	563	597	631
门板宽 A2L	320	354	388	422	456	490	524	558	592	626	660	694	728	762	796

OCM 系列

旁开三折层门装置

3-Leafs Side Opening Landing Door Device



识别号: OCM-22

- 特 征:
- ◎ 导轨采用 1+1 和 1+ 本体形式, 使得轨道更牢靠不变形
 - ◎ 门套与主板用专用固定件固定, 使得门套固定更牢固
 - ◎ 大开门距中间增加安装点, 使得大开门距层门装置运行更平稳
 - ◎ 门挂板上设有防脱装置, 使得运行更加安全, 更加可靠
 - ◎ 层门装置上有安装定位点, 安装更方便

Serial NO: OCM-22

- Feature:
- ◎ The guide rails are specially, two rails fixed together, third one fixed on base plate, to secure rails more firm and in shape
 - ◎ Use special mounting parts to fix door jamb on landing door device, to make the structure more firmer
 - ◎ Extra locating points are used large opening size, to make operation more steadily and smoothly
 - ◎ Safety hooks on hangers keep running more safely and reliably
 - ◎ Locating points are prepared for installation, to make installation more easier

主要附件图 / Accessories:



上固定件 Installation stand
Drawing NO: OCM22-03



侧安装支架 Brackets for installation
Drawing NO: OCM22-04



侧固定件 Side fasteners
Drawing NO: OCM22-05

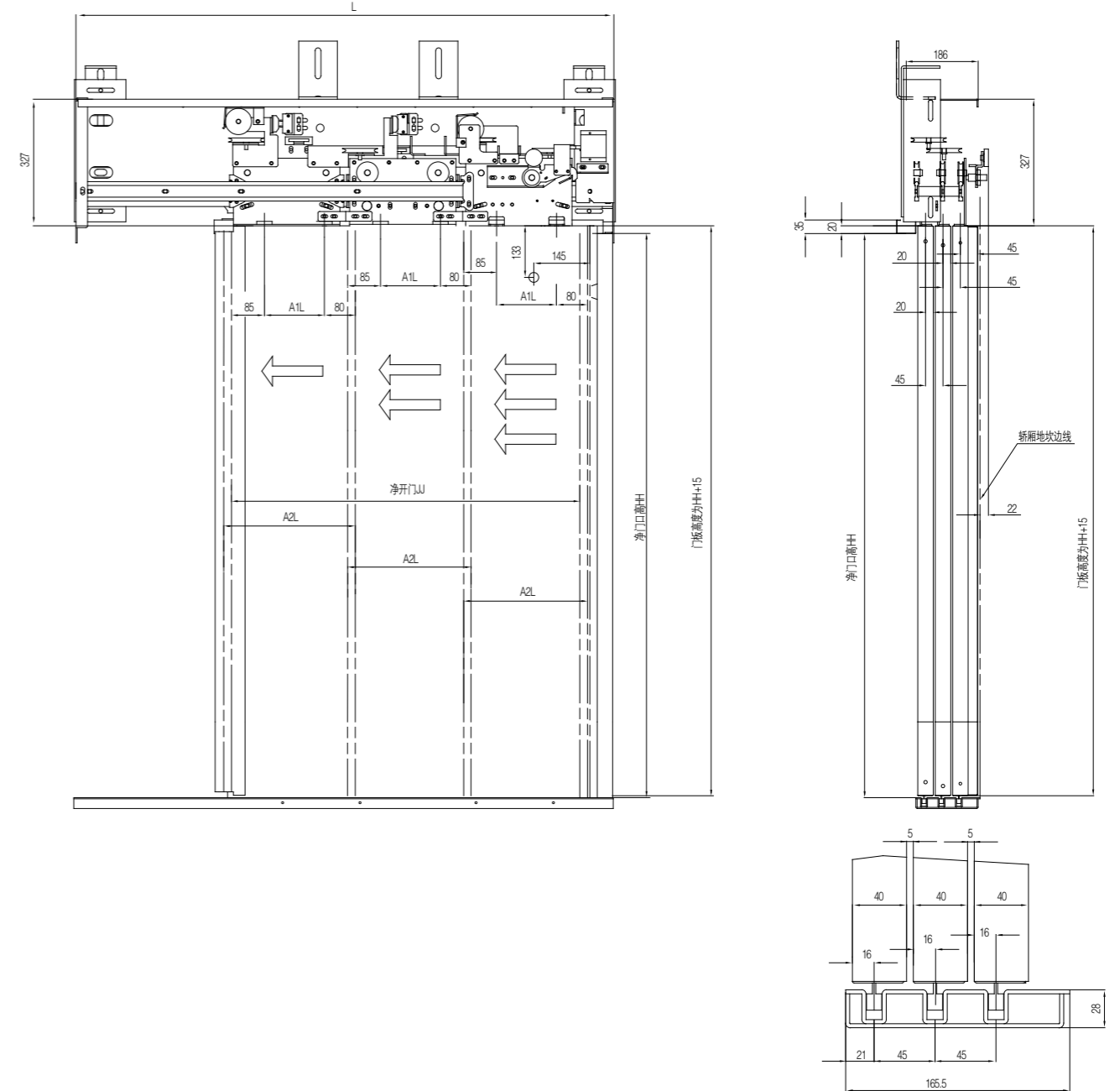


层门小封包 Fixings
Drawing NO: OCM22-01

OCM-22 旁开三折层门装置安装示意图 (示图为右开门)

3-Leafs Side Opening Landing Door Device Schematic Diagram (Below Shown is Right Opening)

识别号: OCM-22
Serial NO: OCM-22



净开门口宽 JJ	900	1000	1100	1200	1300	1400	1500	1600	1700	1800	1900	2000	2100	2200	2300
L	1390	1524	1658	1792	1926	2060	2194	2328	2462	2596	2730	2864	2998	3132	3266
A1L	155	189	223	257	291	325	359	393	427	461	495	529	563	597	631
门板宽 A2L	320	354	388	422	456	490	524	558	592	626	660	694	728	762	796

OMJ 系列

中分三折门机装置

6-Leafs Center Opening Door Operator



- 识别号: OMJ-23
- 特征:
- ◎ 导轨采用 1+1 和 1+ 本体形式, 使得导轨更牢靠不变形
 - ◎ 采用符合新国标的双同步门刀, 使得安全更可靠, 运行更平稳
 - ◎ 门机安装有定位点, 使得门机安装更方便
 - ◎ 可选用立柱安装, 轿架安装与轿顶支架; 立柱安装采用轿顶固定和地坎斜拉杆加固, 使门机运行更稳固

- Serial NO: OMJ-23
- Feature:
- ◎ The guide rails are specially, two rails fixed together, third one fixed on base plate, to secure rails more firm and in shape
 - ◎ Can be installed on sling, staight beam or car top, the sling installation is fixed on car top and reinforced by sling ties fixed on sill, to keep door operator running more stably
 - ◎ Use synchronous door vane which conforms to new requirements of national standard, more reliable, more smoothly
 - ◎ Locating points are prepared for installation, to make installation more easier

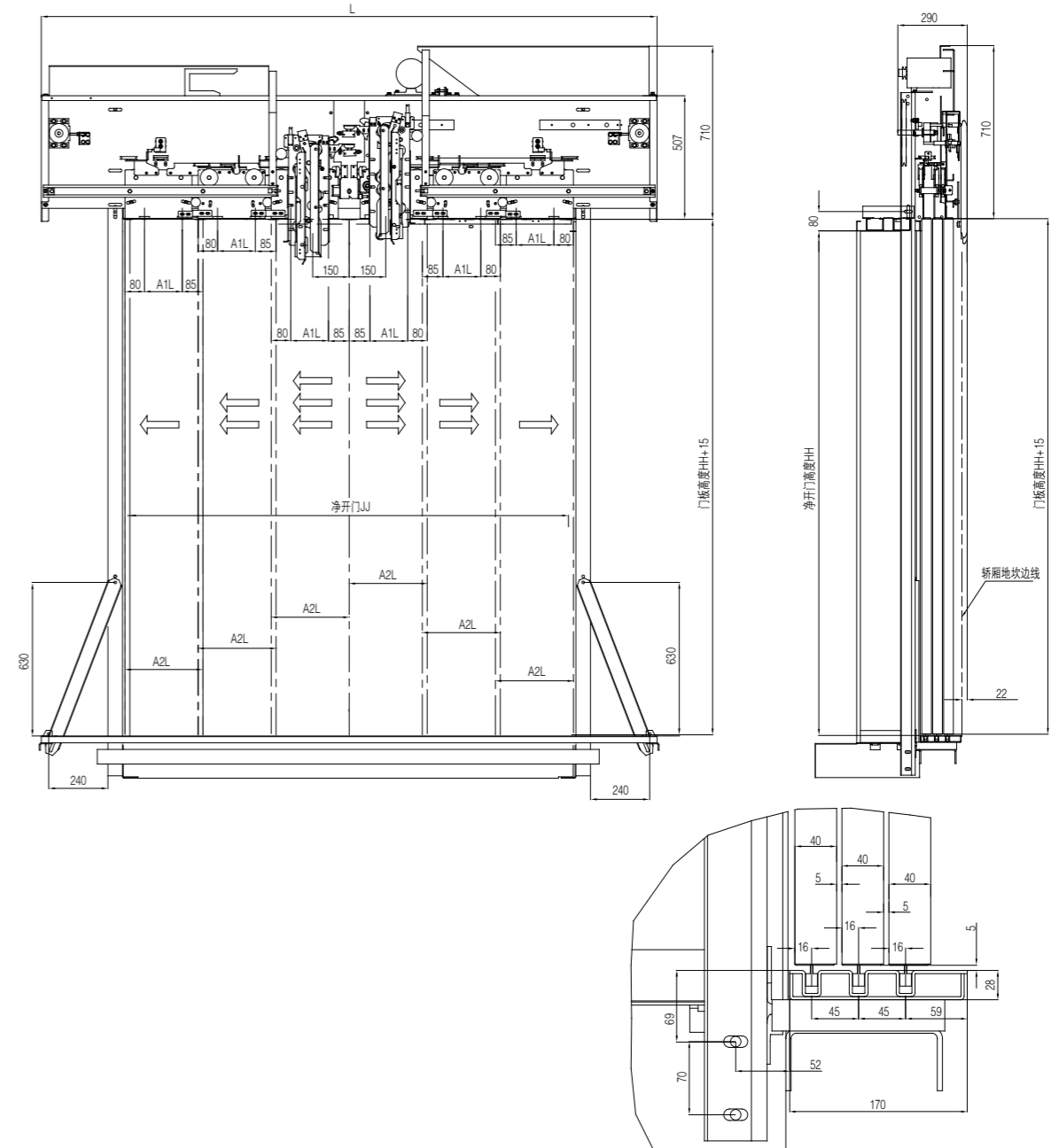
主要附件图 / Accessories:

变频器 (可选) Inverter(optional) Drawing NO:NICE-D-A-SOP4-OL2	AAD03040D	同步门刀组件 Drawing NO:OMJ22-09	门机小封包 Door operator fixings Drawing NO:OMJ23-01
立柱调节件 Sling regulating part Drawing NO: OMJ22-02	关门限制器组件 Door closing limiter assembly Drawing NO: OMJ22-03	轿顶安装支架 For car top installation Drawing NO: OMJ22-04	拉杆固定座 Tie mounting stand Drawing NO: OMJ22-05
立柱拉杆 Sling ties Drawing NO: OMJ22-06	安装立柱 Installation sling Drawing NO: OMJ22-07	固定板 Fixing plate Drawing NO: OMJ22-08	

OMJ 系列 中分三折门机装置安装示意图

6-Leafs Center Opening Door Operator Installation Schematic Diagram

识别号: OMJ-23
Serial NO: OMJ-23

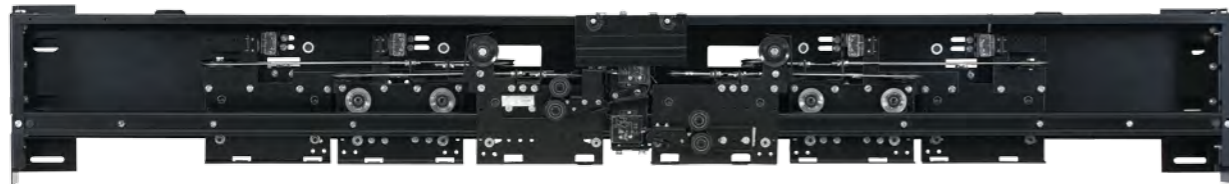


净开门宽 JJ	1800	1900	2000	2100	2200	2300	2400	2500	2600	2700	2800	2900	3000	3100
L	2527	2661	2795	2929	3063	3197	3331	3465	3599	3733	3867	4001	4135	4269
A1L	155	172	189	206	223	240	257	274	291	308	325	342	359	376
门板宽 A2L	320	337	354	371	388	405	422	439	456	473	490	507	524	541
净开门宽 JJ	3200	3300	3400	3500	3600	3700	3800	3900	4000	4100	4200	4300	4400	4500
L	4403	4537	4671	4805	4939	5073	5207	5341	5475	5609	5743	5877	6011	6145
A1L	393	410	427	444	461	478	495	512	529	546	563	580	597	614
门板宽 A2L	558	575	592	609	626	643	660	677	694	711	728	745	762	779

OCM 系列

中分三折层门装置

6-Leafs Center Opening Landing Door Device



识别号: OCM-23

- 特征:
- 导轨采用 1+1 和 1+ 本体形式, 使得轨道更牢靠不变形
 - 门套与主板用专用固定件固定, 使得门套固定更牢固
 - 大开门距中间增加安装点, 使得大开门距层门装置运行更平稳
 - 门挂板上设有防脱装置, 使得运行更加安全, 更加可靠
 - 层门装置上有安装定位点, 安装更方便

Serial NO: OCM-23

- Feature:
- The guide rails are specially, two rails fixed together, third one fixed on base plate, to secure rails more firm and in shape
 - Use special mounting parts to fix door jamb on landing door device, to make the structure more firmer
 - Extra locating points are used large opening size, to make operation more steadily and smoothly
 - Safety hooks on hangers keep running more safely and reliably
 - Locating points are prepared for installation, to make installation more easier

主要附件图 / Accessories:



上固定件 Installation stand
Drawing NO: OCM22-03



侧安装支架 Brackets for installation
Drawing NO: OCM22-04



侧固定件 Side fasteners
Drawing NO: OCM22-05

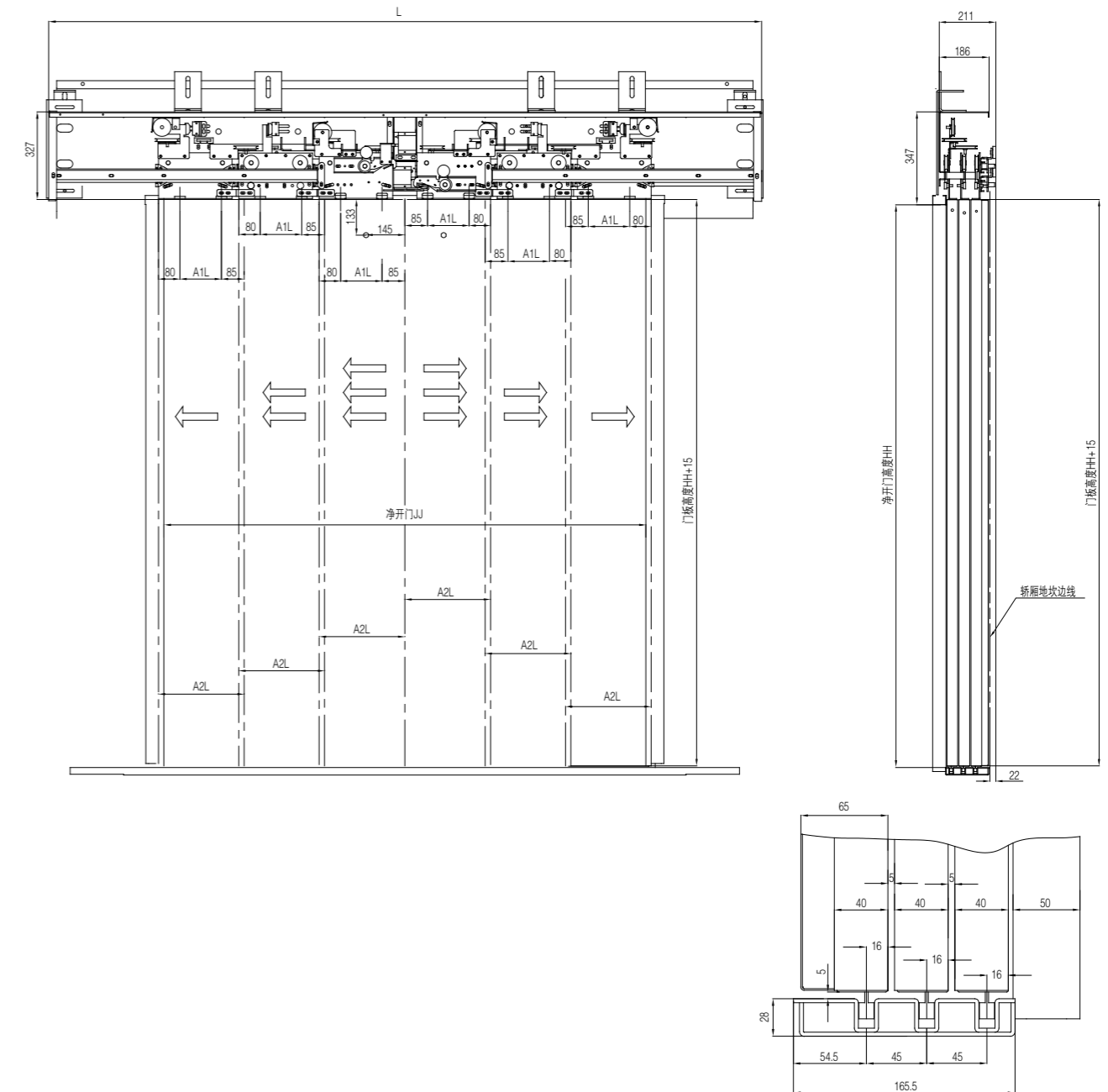


层门小封包 Fixings
Drawing NO: OCM23-01

OCM 系列 中分三折层门装置安装示意图 6-Leafs Center Opening Landing Door Device Installation Schematic Diagram

识别号: OCM-23

Serial NO: OCM-23



净开门宽 JJ	1800	1900	2000	2100	2200	2300	2400	2500	2600	2700	2800	2900	3000	3100
L	2660	2794	2928	3062	3196	3330	3464	3598	3732	3866	4000	4134	4268	4402
A1L	155	172	189	206	223	240	257	274	291	308	325	342	359	376
门板宽 A2L	320	337	354	371	388	405	422	439	456	473	490	507	524	541
净开门宽 JJ	3200	3300	3400	3500	3600	3700	3800	3900	4000	4100	4200	4300	4400	4500
L	4536	4670	4804	4938	5072	5206	5340	5474	5608	5742	5876	6010	6144	6278
A1L	393	410	427	444	461	478	495	512	529	546	563	580	597	614
门板宽 A2L	558	575	592	609	626	643	660	677	694	711	728	745	762	779

OMJ 客梯系列

客梯系列门机主要零部件

Components For Door



门机架本体
Door Operator Baseplate
识别号: OMJ01.1.1
Serial NO:OMJ01.1.1



轿门挂板 (左/右)
Door Operator Hanger
识别号: OMJ01.2A/ OMJ01.5A
Serial NO:OMJ01.2A/ OMJ01.5A



变频器
Inverter
识别号: AAD03011DK
Serial NO: AAD03011DK



变频器
Inverter
识别号: AAD03040D
Serial NO: AAD03040D



变频器 Inverter
识别号: FCNA1010 (异步) FCNS2010 (同步)
Serial NO: FCNA1010 (Asynchronous)
FCNS2010 (Synchronous)



变频器 Inverter
识别号: NICE-D-A-SOP4-OL2
Serial NO: NICE-D-A-SOP4-OL2



异步变频电机
Motor (Asynchronous)
识别号: YBP80-6
Serial NO: YBP80-6



异步变频电机
Motor (Asynchronous)
识别号: YBP90-6
Serial NO: YBP90-6



异步变频电机
Motor (Asynchronous)
识别号: YVP71-6
Serial NO: YVP71-6



永磁同步电机
Permanent Magnet Motor
识别号: YCT133-16
Serial NO: YCT133-16



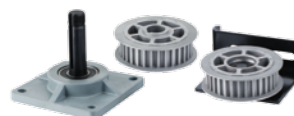
皮带轮
Belt Pulley
识别号: OMJ01.8.1B
Serial NO: OMJ01.8.1B



驱动皮带
Belt
识别号: 1280 (V形切边带)
Serial NO: 1280



传动皮带 (同步带)
Belt
识别号: STPD/STS-S8M
Serial NO: STPD/STS-S8M



轴承座 / 主动轮 / 从动轮组件
Bearing stand / Bearing / Driven Wheel Module
识别号: OMJ01.8.2A / OMJ01.8-3 / OMJ01.17
Serial NO: OMJ01.8.2A / OMJ01.8-3 / OMJ01.17



门刀组件
Door Vane
识别号: A1024A300S
Serial NO: A1024A300S



连杆组件
Connecting Rod
识别号: OMJ01.28B
Serial NO: OMJ01.28B



轿门挂轮 $\Phi 72$
 $\Phi 72$ Pulley
识别号: D227002
Serial NO: D227002



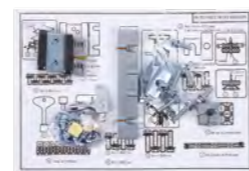
挂板导向轮
Guide Wheel
识别号: D227005
Serial NO: D227005



131 轿门开关
131 Car Door Switch
识别号: A1055C131
Serial NO: A1055C131



双稳态开关组件
Bistable Switch Module
识别号: MKA50202-1 / SF110-1
Serial NO: MKA50202-1 / SF110-1



门机小封包
Door operator fixings
识别号: OMJ01.34
Serial NO: OMJ01.34

OCM 客梯系列

客梯系列层门主要零部件

Components For Landing Door Devices



上坎架
Landing Door Base Plate
识别号: OCM01B4.1.1
Serial NO: OCM01B4.1.1



层门挂板
Landing Door Hanger
识别号: OCM01B2.1.2/2.1.3
Serial NO: OCM01B2.1.2/2.1.3



连锁装置 / 互锁
Product Name: Interlock / Lock Hook
识别号: OCM01B4.1.4/4.1.5
Serial NO: OCM01B4.1.4/4.1.5



$\Phi 48$ 门挂轮
 $\Phi 48$ Pulley
识别号: A1022A748
Serial NO: A1022A748



$\Phi 56$ 门挂轮
 $\Phi 56$ Pulley
识别号: A022A756
Serial NO: A022A756



挂板导向轮
Guide Wheel
识别号: A1022C890A
Serial NO: A1022C890A



$\Phi 68$ 绳轮组件
 $\Phi 68$ Pulley Module
识别号: A1027BL401A
Serial NO: A1027BL401A



传动钢丝绳
Driven Wire Rope
识别号: OCM01B4.1.3
Serial NO: OCM01B4.1.3



$\Phi 90$ 绳轮
 $\Phi 90$ Pulley
识别号: A1027B420
Serial NO: A1027B420



$\Phi 60$ 重锤绳轮
 $\Phi 60$ Pulley
识别号: D228005A
Serial NO: D228005A



门锁开关组件
Door Lock
识别号: 1L-32161-1
Serial NO: 1L-32161-1



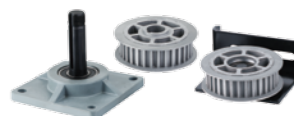
161 门锁
161 Door Lock
识别号: 1L-32161
Serial NO: 1L-32161



触点开关
Contact Switch
识别号: A1035A600
Serial NO: A1035A600



被动门开关
Passive Door Switch
识别号: D231000
Serial NO: D231000



弹簧式 (强迫关门装置)
Spring
识别号: A1066E100CL
Serial NO: A1066E100CL



重锤组件
Weight Module
识别号: D252000
Serial NO: D252000



导向管组件
Guiding Pipe
识别号: A1025B700
Serial NO: A1025B700



三角锁 / 钥匙
Triangle Lock Key
识别号: D229011
Serial NO: D229011



三角锁组件
Triangle Lock Key
识别号: D229000
Serial NO: D229000



安装小封包 (直板式开锁)
Fixings



安装小封包 (顶杆式开锁)
Fixings

货梯地坎系列

Sill Series

注：以下地坎为铁板折弯地坎，如需用铸铁地坎需要重新确认。
 Note: The below mentioned sills are made of bending steel sheets; cast iron sills are also available while prices should be re-confirmed.

轿门地坎 (铝合金) Car Sill (Alu.)

图号 / Drawing NO: DK05.2L 适用 / For: OMJ05、OMJ05JD



轿门地坎 (铁板) Car Sill (Steel)

图号 / Drawing NO: DK05.2 适用 / For: OMJ05、OMJ05JD



轿门地坎 (铝合金) Car Sill (Alu.)

图号 / Drawing NO: DK02.2L 适用 / For: OMJ06 系列、OMJ18 系列
 图号 / Drawing NO: DK05.2AL 适用 / For: OMJ05A 系列、OMJ17 系列



轿门地坎 (铁板) Car Sill (Steel)

图号 / Drawing NO: DK02.2 适用 / For: OMJ06 系列、OMJ18 系列
 图号 / Drawing NO: DK05.2A 适用 / For: OMJ05A 系列、OMJ17 系列



层门地坎 (铝合金) Landing Sill (Alu.)

图号 / Drawing NO: DK05.1L 适用 / For: OCM05
 图号 / Drawing NO: DK06.1L 适用 / For: OCM06



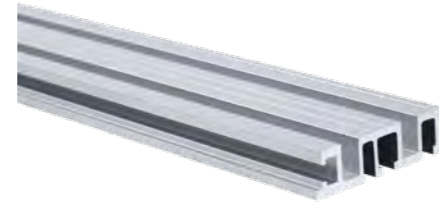
层门地坎 (铁板) Landing Sill (Steel)

图号 / Drawing NO: DK125010.1 适用 / For: OCM05
 图号 / Drawing NO: DK125013.1 适用 / For: OCM06



层门地坎 (铝合金) Landing Sill (Alu.)

图号 / Drawing NO: DK05A.1L 适用 / For: OCM05A
 图号 / Drawing NO: DK02.1L 适用 / For: OCM02A



层门地坎 (铁板) Landing Sill (Steel)

图号 / Drawing NO: DK05.1A 适用 / For: OCM05A
 图号 / Drawing NO: DK125016.1 适用 / For: OCM02A

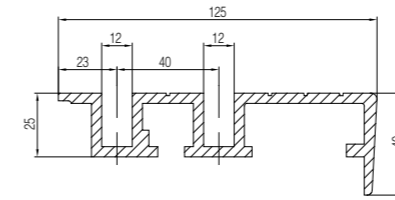


层门护脚板 / Landing Apron



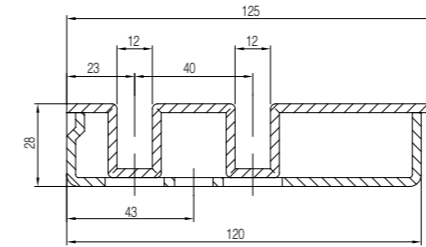
轿门地坎 (铝合金) Car Sill (Alu.)

图号 / Drawing NO: DK05.2L 适用 / For: OMJ05、OMJ05JD



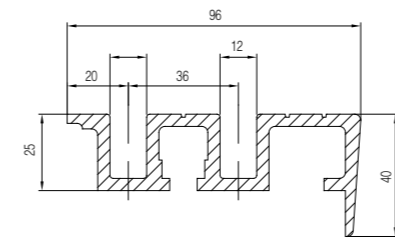
轿门地坎 (铁板) Car Sill (Steel)

图号 / Drawing NO: DK05.2 适用 / For: OMJ05、OMJ05JD



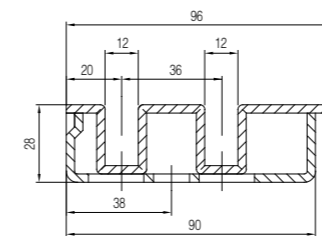
轿门地坎 (铝合金) Car Sill (Alu.)

图号 / Drawing NO: DK02.2L 适用 / For: OMJ06 系列、OMJ18 系列
 图号 / Drawing NO: DK05.2AL 适用 / For: OMJ05A 系列、OMJ17 系列



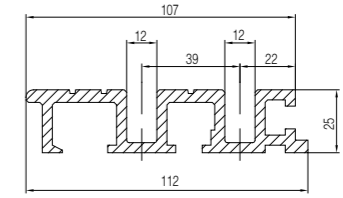
轿门地坎 (铁板) Car Sill (Steel)

图号 / Drawing NO: DK02.2 适用 / For: OMJ06 系列、OMJ18 系列
 图号 / Drawing NO: DK05.2A 适用 / For: OMJ05A 系列、OMJ17 系列



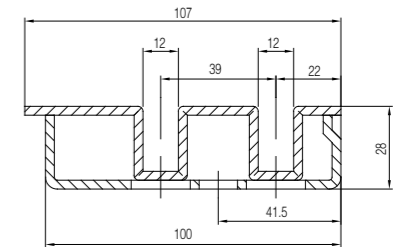
层门地坎 (铝合金) Landing Sill (Alu.)

图号 / Drawing NO: DK05.1L 适用 / For: OCM05
 图号 / Drawing NO: DK06.1L 适用 / For: OCM06



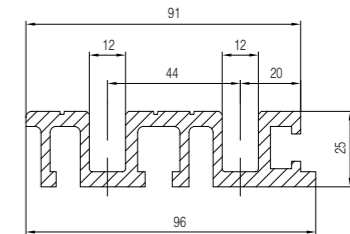
层门地坎 (铁板) Landing Sill (Steel)

图号 / Drawing NO: DK125010.1 适用 / For: OCM05
 图号 / Drawing NO: DK125013.1 适用 / For: OCM06



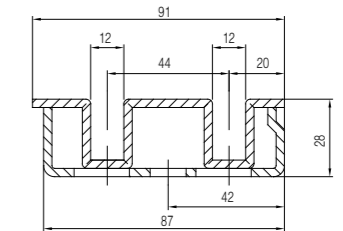
层门地坎 (铝合金) Landing Sill (Alu.)

图号 / Drawing NO: DK05A.1L 适用 / For: OCM05A
 图号 / Drawing NO: DK02.1L 适用 / For: OCM02A

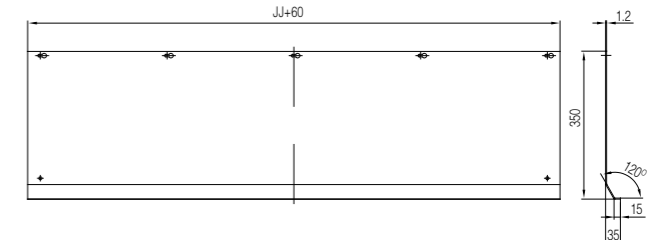


层门地坎 (铁板) Landing Sill (Steel)

图号 / Drawing NO: DK05.1A 适用 / For: OCM05A
 图号 / Drawing NO: DK125016.1 适用 / For: OCM02A



层门护脚板 / Landing Apron



电梯配套件系列

Elevator Fittings Series



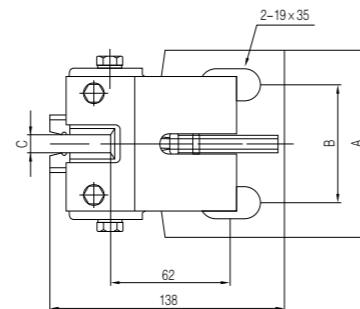
滑动导靴

Sliding Guide Shoe

识别号 / Serial NO: D444000

技术参数 / Technical Parameters
 额定速度 / Rated Speed $\leq 2.0\text{m/s}$
 导轨宽度 / Guide Rail Width $B1=10,16\text{mm}$

G00	A	B	C
G01	110	70	11
G02	140	90	11
G03	110	70	17
G04	140	90	17



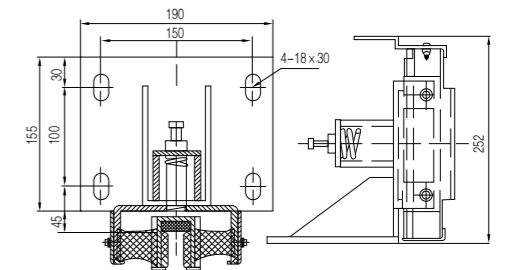
导靴

Guide Shoe

识别号 / Serial NO: D448000

技术参数 / Technical Parameters
 额定速度 / Rated Speed $\leq 2.5\text{m/s}$
 导轨宽度 / Guide Rail Width $10,16\text{mm}$

BFK	规格
10	G01
16	G02



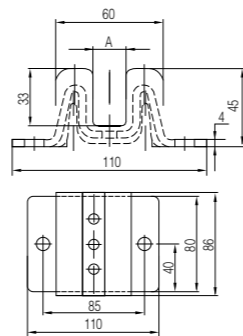
空心轨导靴

Guide Shoe(Hollow Track)

识别号 / Serial NO: D445000

技术参数 / Technical Parameters
 额定速度 / Rated Speed $\leq 2.5\text{m/s}$
 导轨宽度 / Guide Rail Width $10,16\text{mm}$

导轨宽	A
10	12
16	18



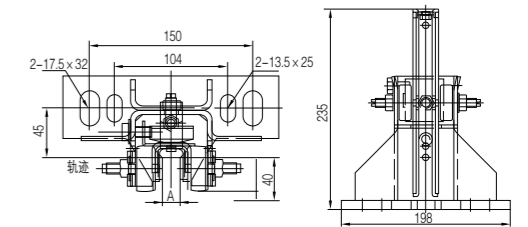
B22X 滑动导靴

B22X Sliding Guide Shoe

识别号 / Serial NO: D441300

技术参数 / Technical Parameters
 额定速度 / Rated Speed $\leq 2.5\text{m/s}$
 负载重量 GQ/ Loading Capacity $GQ \leq 1250\text{kg}$
 导轨宽度 / Guide Rail Width 16mm

G00	A
G01	16
G02	10



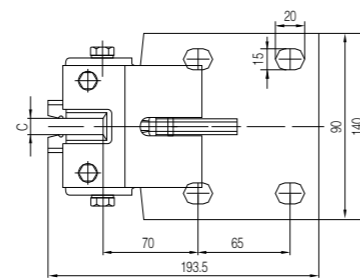
广日滑动导靴

Sliding Guide Shoe

识别号 / Serial NO: D447000

技术参数 / Technical Parameters
 额定速度 / Rated Speed $\leq 2.0\text{m/s}$
 导轨宽度 / Guide Rail Width $10,16\text{mm}$

导轨宽	C
10	11
16	17

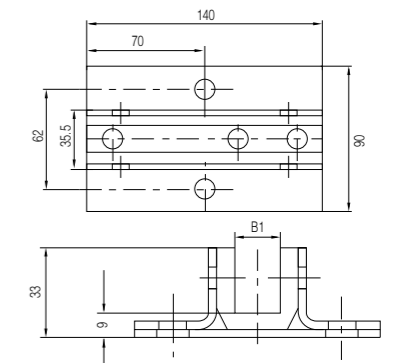


滑动导靴

Sliding Guide Shoe

识别号 / Serial NO: D443000

技术参数 / Technical Parameters
 额定速度 / Rated Speed $\leq 2.5\text{m/s}$
 导轨宽度 / Guide Rail Width $B1=10,16\text{mm}$



电梯配套件系列
Elevator Fittings Series



圆型油杯
Round Oil Can
识别号 /Serial No: J100/D454000



方型油杯
Square Oil Can
识别号 /Serial No: J140/D464000



棉纱型圆油杯
Round Oil Can With Cotton Yarn
识别号 /Serial No: J103



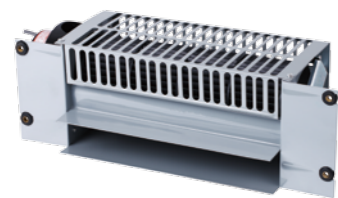
通力油杯
Oil Can
识别号 /Serial No: J170



圆型集油器
Round Oil Collector
识别号 /Serial No: J110/D454001



方型集油器
Square Oil Collector
识别号 /Serial No: J120/D464001



横流式风扇
Cross Flow Fan
识别号 /Serial No: RX-FB-9B



轿顶卡板
Car Top Grip Board
识别号 /Serial No: D151000



F 型胶垫
F-Type Rubber Mat
识别号 /Serial No: D877020



载荷 / Load	1000kg	1500kg	2000kg
邵氏硬度 / Hardness	50 ± 5	60 ± 5	70 ± 5

轿底减震器
Car Bottom Damping Mat
识别号 /Serial No: D879000



载荷 / Load	1000kg	1500kg	2000kg
邵氏硬度 / Hardness	50 ± 5	60 ± 5	70 ± 5

曳引机减震垫
Traction Damping Mat
识别号 /Serial No: D878000



载荷 / Load	1000kg	1500kg	2000kg
邵氏硬度 / Hardness	50 ± 5	60 ± 5	70 ± 5

曳引机减震垫
Traction Damping Mat
识别号 /Serial No: D876000



门滑块
Door Slider
识别号 /Serial No: D264002



门滑块
Door Slider
识别号 /Serial No: D284006



门滑块
Door Slider
识别号 /Serial No: D284007

电梯专用铁膨胀螺栓
Anchor Bolt:

规格:
M8x80 M12x100
M10x100 M16x150



曳引机盘车手轮系列
Traction Handwheel Series

根据客户需要来图制作各类规格有齿、无齿曳引机盘车手轮
Provide OEM Service



安全部件系列

XS240-A 防溜车型单向限速器

Non-Slip One-Way Governor



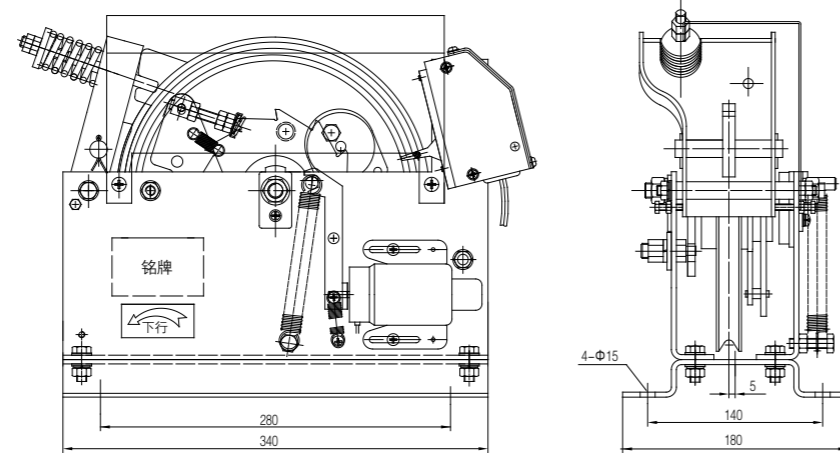
技术参数 / Technical Specifications

- ◎ 额定速度: $V=0.25\sim 2.5\text{ m/s}$
- ◎ 钢丝绳直径: $\Phi 8\text{ mm}$
- ◎ 绳轮节圆直径: $\Phi 240\text{ mm}$
- ◎ 涨紧力: $500\sim 1600\text{ N}$
- ◎ Rated Speed: $V=0.25\sim 2.5\text{ m/s}$
- ◎ Rope Dia: $\Phi 8\text{ mm}$
- ◎ Sheave Diameter: $\Phi 240\text{ mm}$
- ◎ Rope Tension Force: $500\sim 1600\text{ N}$

产品说明 / Description:

该系列限速器为有机房单向限速器，具有防止电梯平层开门后下行溜车功能，防止轿厢在平层开门状态下的下行滑动，提高电梯安全性。

This governor is for machine room, with the anti-slip function when door opens on leveling, to stop moving down of cabin, improve the safety of lift.

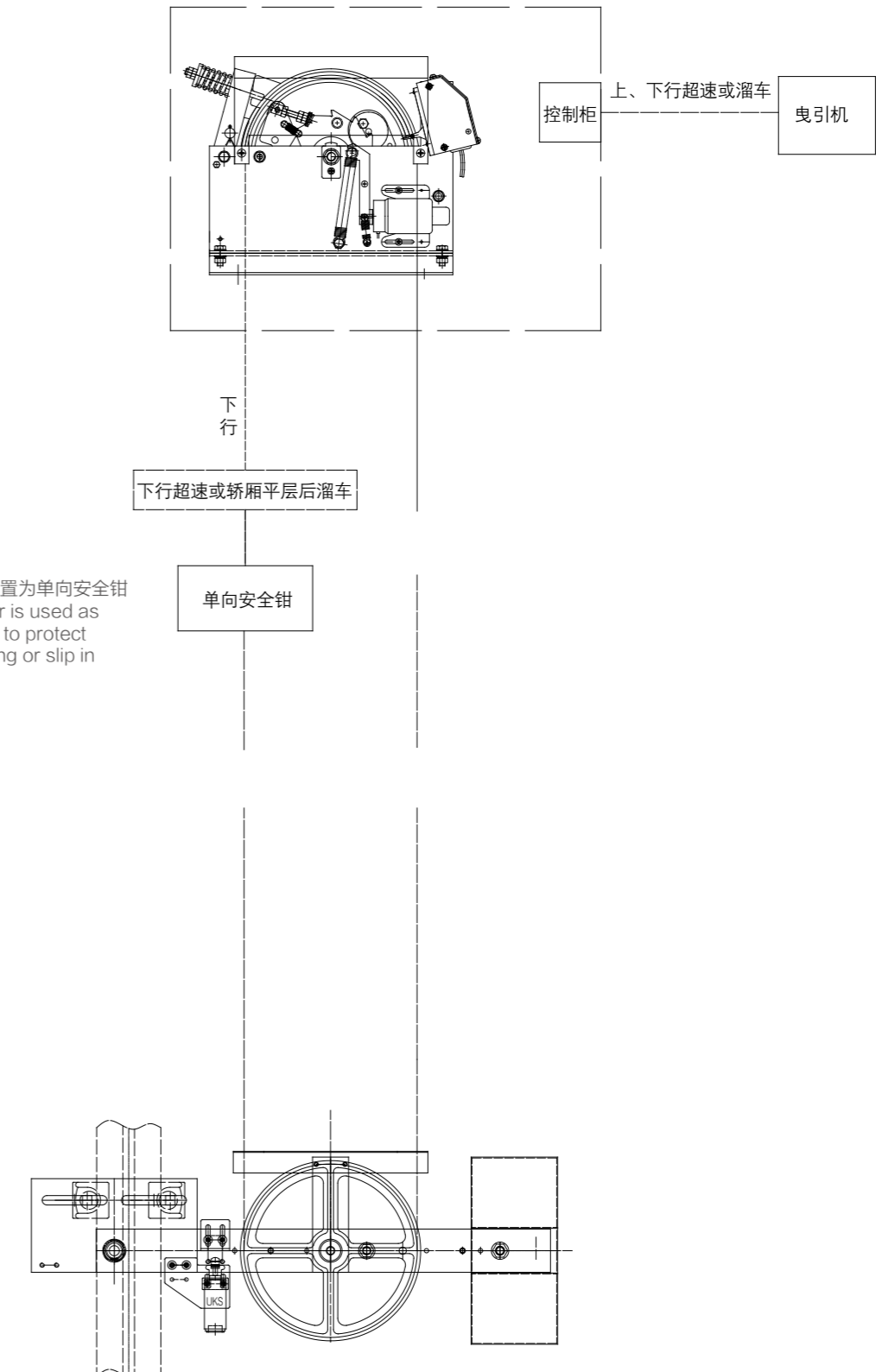


限速器附件 / Governor Attachment:

序号 / No.	图号 / Figure	名称 / Name	规格 / Specs	单位 / Unit	数量 / Qty	图示 / Diagrammatic Presentation	备注 / Note
1	XS240.20	钢丝绳连接件		套	1		组件
2		压道板组件		套	2		组件
3		钢丝绳夹头	$\Phi 8$	套	6		

单向限速器平层防溜车系统示意图

Non-Slip One-Way Governor Schematic Diagram



下行超速或溜车保护装置为单向安全钳
One-way safety gear is used as the protection device to protect against over-speeding or slip in downward stroke.

安全部件系列

XS240 单向限速器

One-Way Governor



技术参数 / Technical Specifications

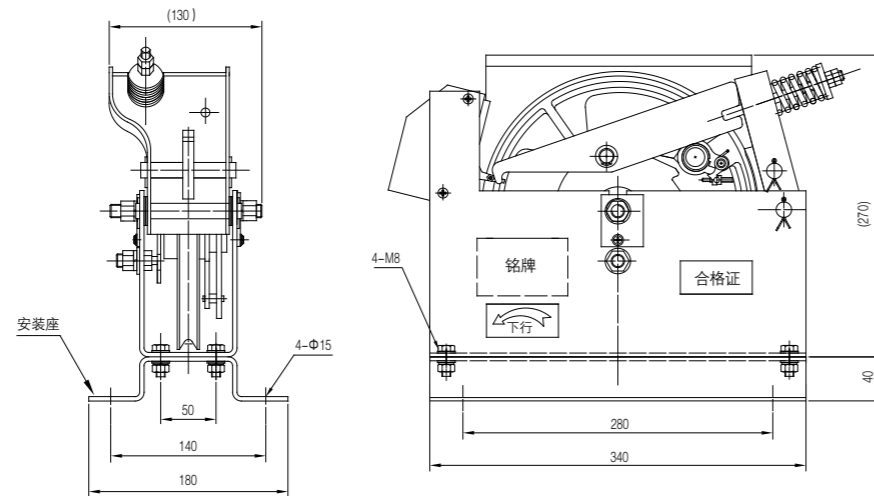
- ◎ 额定速度 :V= 0.25~2.5 m/s
- ◎ 钢丝绳直径 :Φ8 mm
- ◎ 绳轮节圆直径 :Φ240 mm
- ◎ 涨紧力 :500~1600 N

- ◎ Rated Speed:V= 0.25~2.5 m/s
- ◎ Rope Dia: Φ8 mm
- ◎ Sheave Diameter: Φ240 mm
- ◎ Rope Tension Force:500~1600 N

产品说明 / Description:

- 1、此限速器适用于配置无齿曳引机;
- 2、此限速器适配于 ZJ240、ZJ240A、ZJ240B 或 ZJ260 涨紧装置;

1. This governor is matching for gearless traction machine;
2. The governor is matching to ZJ240、ZJ240A、ZJ240B or ZJ260 tensioning device;

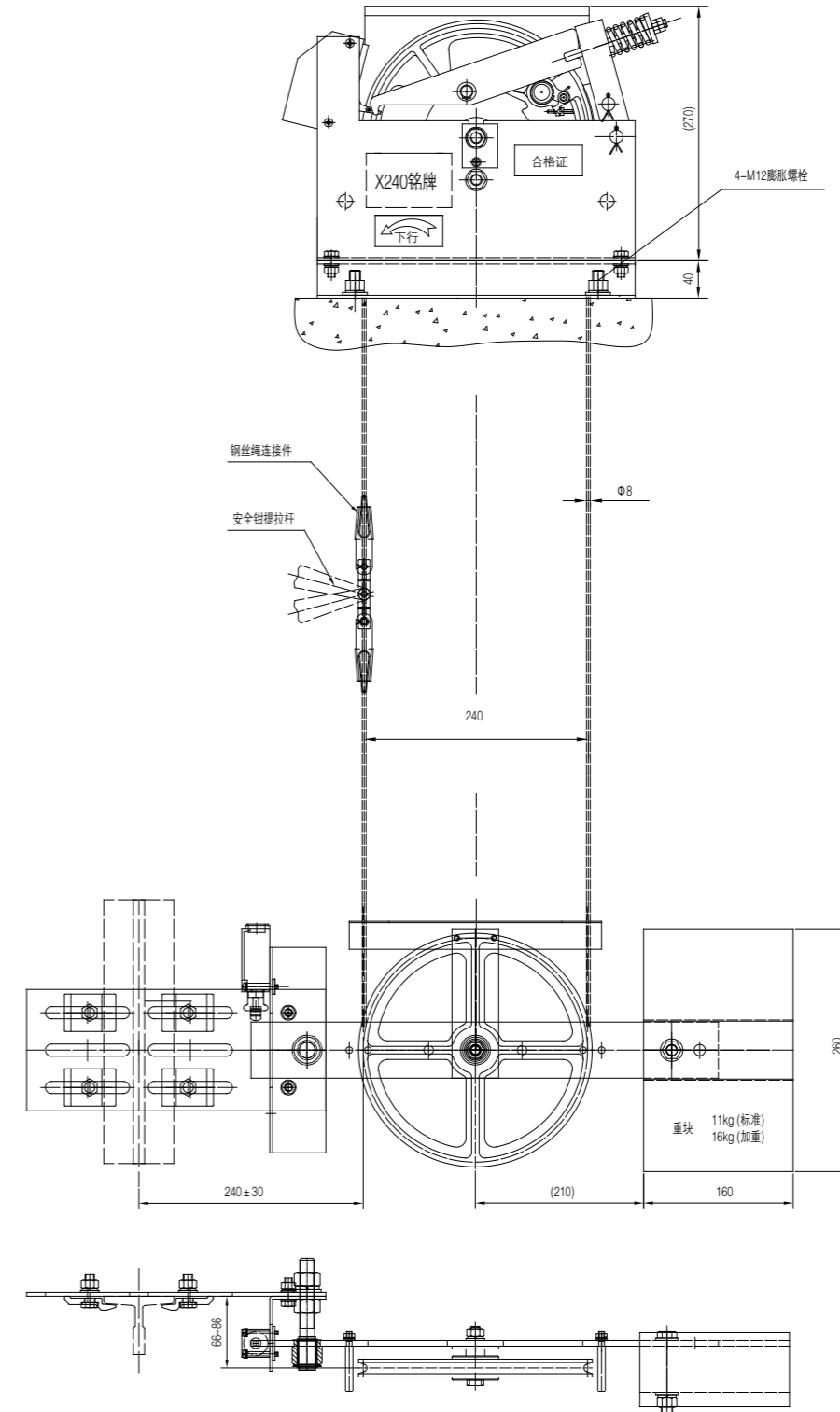


限速器附件 / Governor Attachment:

序号 / No.	图号 / Figure	名称 / Name	规格 / Specs	单位 / Unit	数量 / Qty	图示 / Diagrammatic Presentation	备注 / Note
1	XS240.20	钢丝绳连接件		套	1		组件
2		压道板组件		套	2		组件
3		钢丝绳夹头	Φ8	套	6		组件
4	GB/T5783	六角螺栓组	M8	套	4		机架座与机架连接用 (平机架座时取消)
5		膨胀螺栓	M12X100	件	4		组件

限速器系统安装示意图

Governor System Installation Diagram



安全部件系列

XS240W 单向无机房限速器

One-Way Machine Roomless Governor

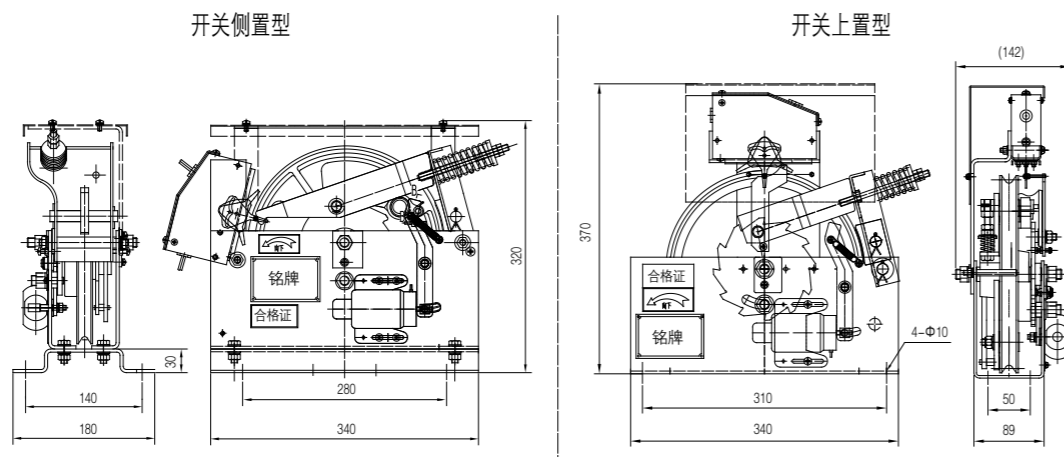
技术参数 / Technical Specifications

- 额定速度: $V = 0.25 \sim 2.5 \text{ m/s}$
- 钢丝绳直径: $\Phi 8 \text{ mm}$
- 绳轮节圆直径: $\Phi 240 \text{ mm}$
- 涨紧力: $500 \sim 1600 \text{ N}$
- Rated Speed: $V = 0.25 \sim 2.5 \text{ m/s}$
- Rope Dia: $\Phi 8 \text{ mm}$
- Sheave Diameter: $\Phi 240 \text{ mm}$
- Rope Tension Force: $500 \sim 1600 \text{ N}$



产品说明 / Description:

1. 此限速器适用于配置无齿曳引机;
 2. 此限速器适配于 ZJ240、ZJ240A、ZJ240B 或 ZJ260 涨紧装置;
1. This governor is matching for gearless traction machine;
2. The governor is matching to ZJ240、ZJ240A、ZJ240B or ZJ260 tensioning device;

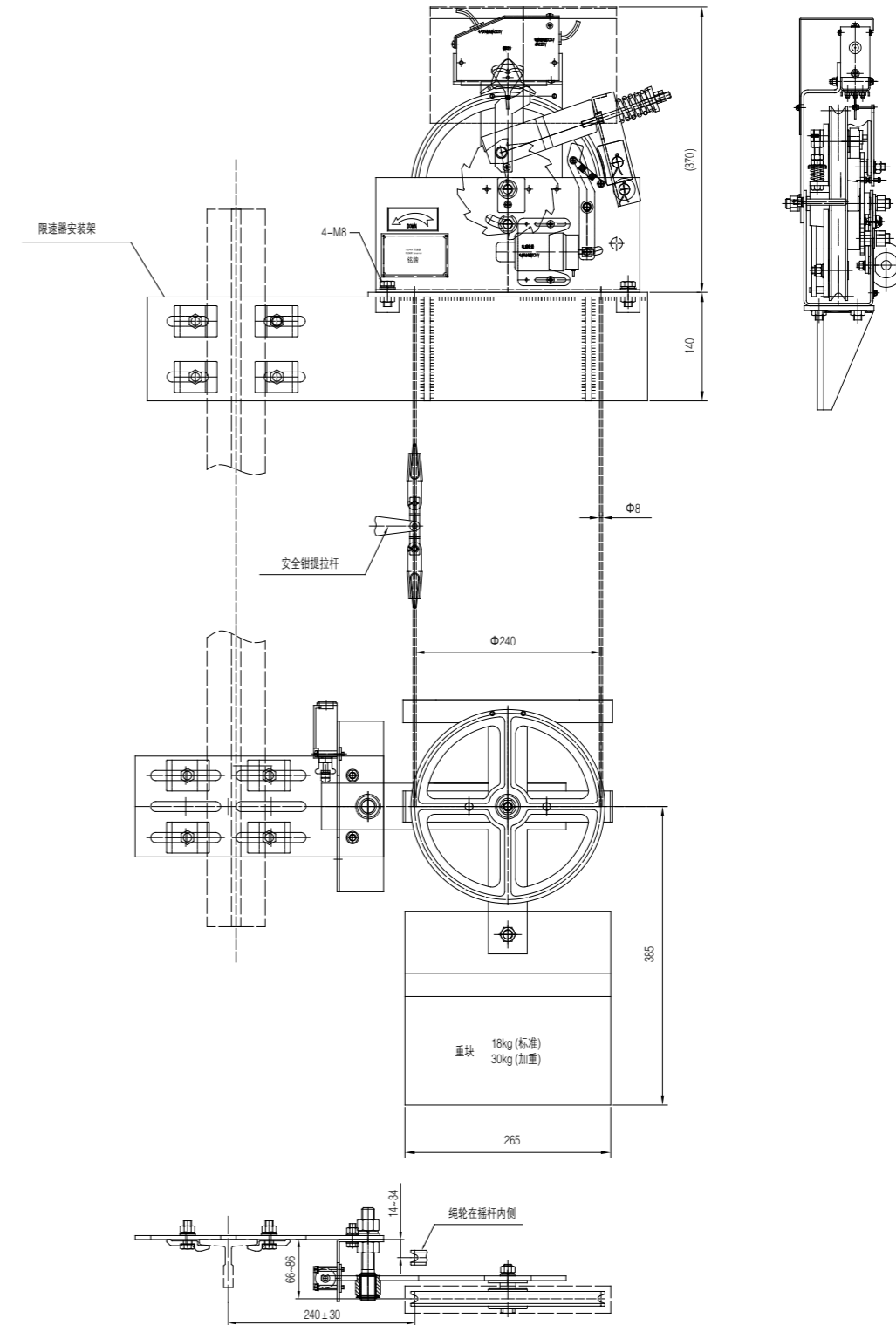


限速器附件 / Governor Attachment:

序号 / No.	图号 / Figure	名称 / Name	规格 / Specs	单位 / Unit	数量 / Qty	图示 / Diagrammatic Presentation	备注 / Note
1	XS240.20	钢丝绳连接件		套	1		组件
2		压道板组件		套	2		组件
3		钢丝绳夹头	$\Phi 8$	套	6		组件

限速器系统安装示意图

Governor System Installation Diagram



安全部件系列

XS260(XS260A) 双向限速器 Two-Way Governor

技术参数 / Technical Specifications

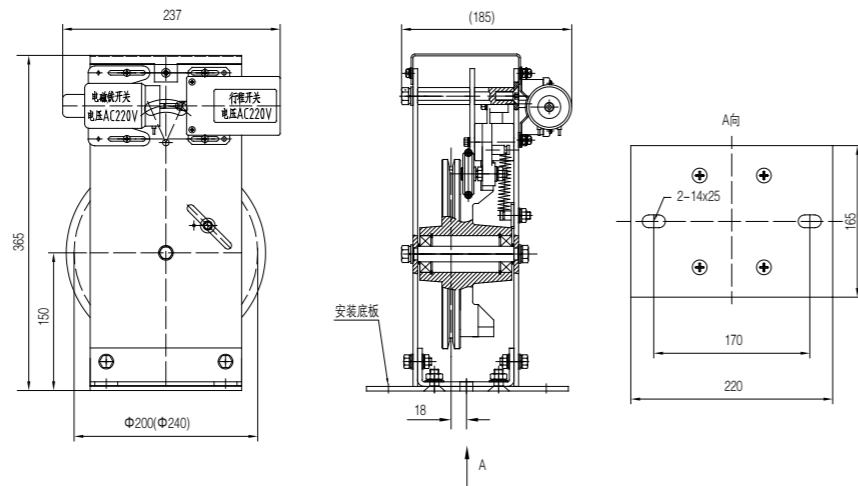
型号 / Type: XS260	型号 / Type: XS260A
<ul style="list-style-type: none"> 额定速度 :V= 0.25~1.75 m/s 钢丝绳直径 :Φ8 mm 绳轮节圆直径 :Φ240 mm 涨紧力 :500~1000 N 	<ul style="list-style-type: none"> 额定速度 :V= 0.25~1.75 m/s 钢丝绳直径 :Φ6mm 绳轮节圆直径 :Φ200 mm 涨紧力 :500~1000 N
<ul style="list-style-type: none"> Rated Speed:V= 0.25~1.75 m/s Rope Dia: Φ8 mm Sheave Diameter: Φ240 mm Rope Tension Force:500~1000 N 	<ul style="list-style-type: none"> Rated Speed:V= 0.25~1.75 m/s Rope Dia: Φ6mm Sheave Diameter: Φ200 mm Rope Tension Force:500~1000 N



产品说明 / Description:

- 1、此限速器适用于配置电磁式夹绳器，能装在电梯机房上或井道内。
- 2、此限速器适配于 ZJ260 或 ZJ260A 涨紧装置；
- 3、电磁铁开关用于电梯检测时远程控制使限速器发生机械动作；
- 4、电气开关连接安全回路，动作后可以远程控制复位。

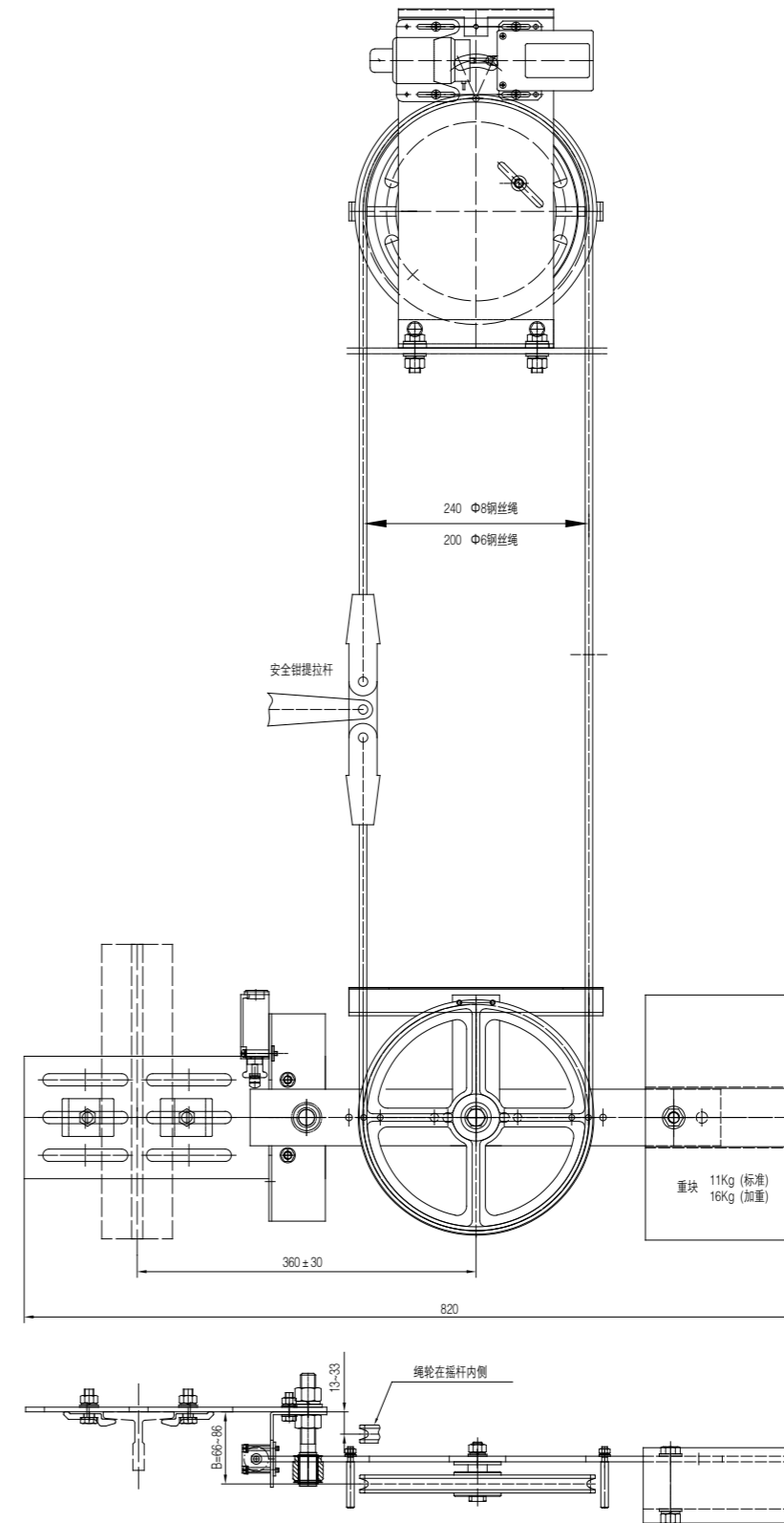
- 1.This governor is adapted to electromagnetic rope gripper and can be installed in machine room or hoistway
- 2.The governor is matching to ZJ260 or ZJ260A tensioning device;
- 3.Solenoid switch is used to issue starting command to governor by remote control during lift inspection
- 4.Electrical switch connected with safety circuit , can reset the governor by remote control after action



限速器附件 / Governor Attachment:

序号 / No.	图号 / Figure	名称 / Name	规格 / Specs	单位 / Unit	数量 / Qty	图示 / Diagrammatic Presentation	备注 / Note
1	XS240.20	钢丝绳连接件		套	1		组件
2		压道板组件		套	2		组件
3		钢丝绳夹头	Φ8	套	6		组件
4		膨胀螺栓	M12X100	件	2		组件

限速器系统安装示意图 Governor System Installation Diagram



安全部件系列
ZJ240 涨紧装置
Tensioning Device



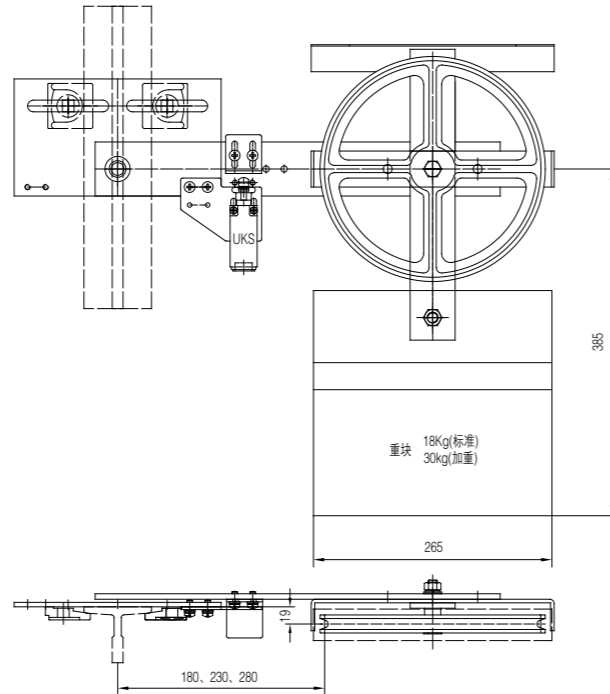
安全部件系列
ZJ240A 涨紧装置
Tensioning Device



产品说明 / Description:

- 1、重块 18Kg 适宜用于电梯提升高度 $\leq 60m$
- 2、重块为 30Kg 适宜用于电梯提升高度 $> 60m$
- 3、本涨紧装置为重块直置式

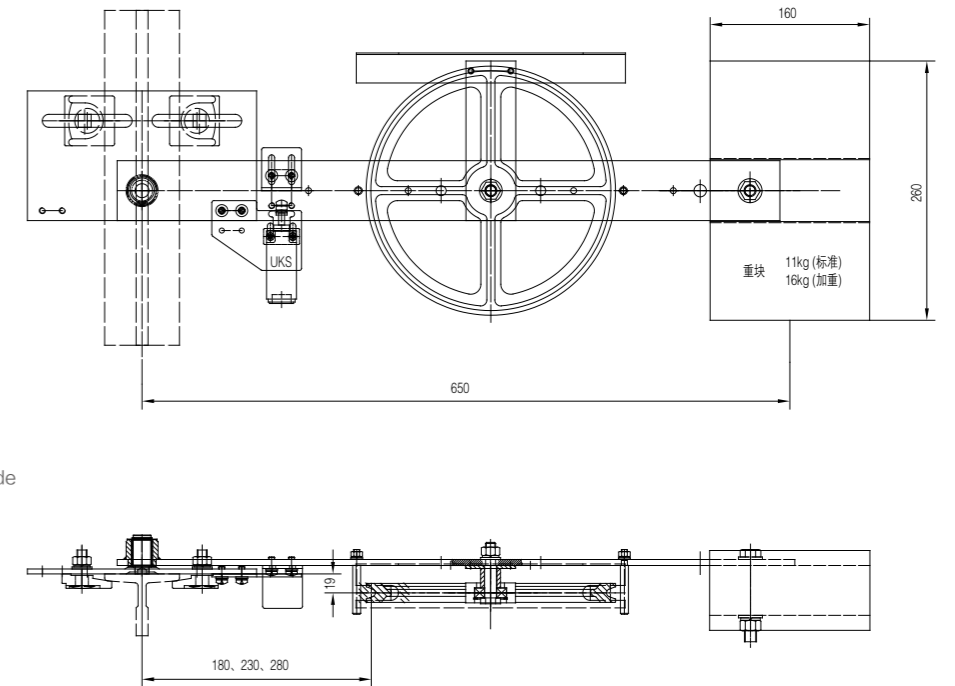
1. A weight 18 Kg Suitable for lifting height of lift $\leq 60m$
2. A weight 30 Kg Suitable for lifting height of lift $> 60m$
3. The tensioning device with weight under



产品说明 / Description:

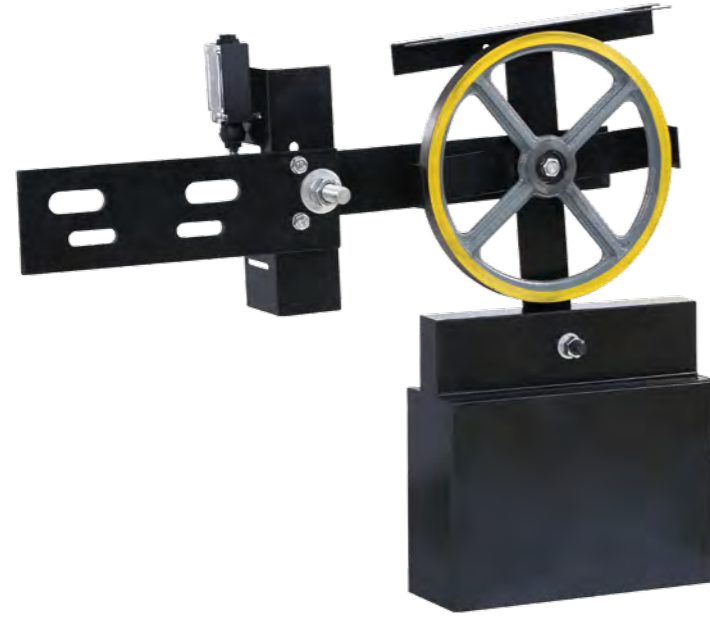
- 1、重块 11Kg 适宜用于电梯提升高度 $\leq 60m$
- 2、重块为 16Kg 适宜用于电梯提升高度 $> 60m$
- 3、本涨紧装置为重块侧置式

1. A weight 11 Kg Suitable for lifting height of lift $\leq 60m$
2. A weight 16 Kg Suitable for lifting height of lift $> 60m$
3. The tensioning device with the weight on side



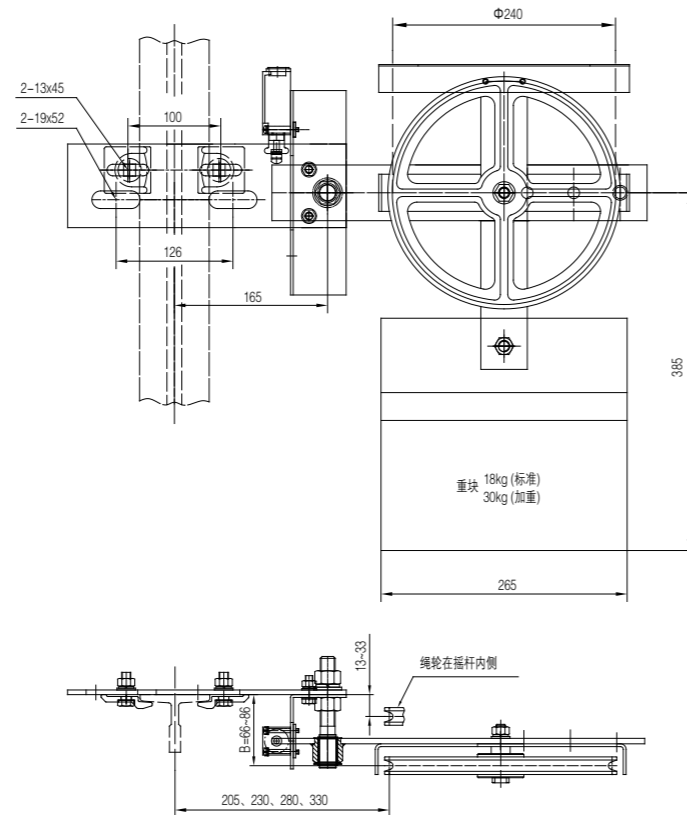
安全部件系列

ZJ240B 涨紧装置
Tensioning Device



安全部件系列

ZJ260A(Φ200) ZJ260(Φ240) 涨紧装置
Tensioning Device



产品说明 / Description:

- 1、重块 18Kg 适宜用于电梯提升高度 ≤ 60m
 - 2、重块为 30Kg 适宜用于电梯提升高度 > 60m
 - 3、本涨紧装置为重块直置式和 B 尺寸可调式
1. A weight 18Kg Suitable for lifting height of lift ≤ 60m
 2. A weight 30Kg Suitable for lifting height of lift > 60m
 3. The tensioning device with weight under and "B" size is adjustable

产品说明 / Description:

- 1、重块 11Kg 适宜用于电梯提升高度 ≤ 60m
 - 2、重块为 16Kg 适宜用于电梯提升高度 > 60m
 - 3、本涨紧装置为重块侧置式和 B 尺寸可调式
1. A weight 11Kg Suitable for lifting height of lift ≤ 60m
 2. A weight 16Kg Suitable for lifting height of lift > 60m
 3. This tensioning device with the weight on side and B size is adjustable

