

宁波欧菱

ELEVATOR COMPONENTS

电梯配件
2020



宁波欧菱电梯配件有限公司
Ningbo Ouling Elevator Components Co.,Ltd.

地址: 中国·浙江 宁波市鄞州区东吴镇
Add: Dongwu Town Yinzhou District Ningbo City, Zhejiang, China

电话 / Tel: +86-574-2886 8671 2886 8672
传真 / Fax: +86-574-2886 8553 8848 9054

邮箱 / E-mail: zzc@nbouling.com
网址 / Http://www.nbouling.com

本书为一般信息类出版物, 我司保留随时更改产品设计、规格、参数和说明的权利。印刷可能使资料内产品与实物有所差别, 所有资料经过仔细校对, 如有任何错漏, 本公司不承担因此产生的后果。

宁波欧菱电梯配件有限公司版权所有。

This manual is an ordinary information publications. Company keeps the rights to alter the product design, size and parameter. if there is any change, advance notice won't be given then. There might be some difference between print products and actual goods. All the data have been checked carefully. if there is and print error, the factory does not bear any consequence there-from.

OULING Company keeps the latest explanation rights for relevant information in the data.



因为专业 所以卓越
Outstanding since Professional
www.nbouling.com

因为专业 所以卓越
OUTSTANDING SINCE
PROFESSIONAL



企业官网



微信公众号

OULING
Professional
Advantage

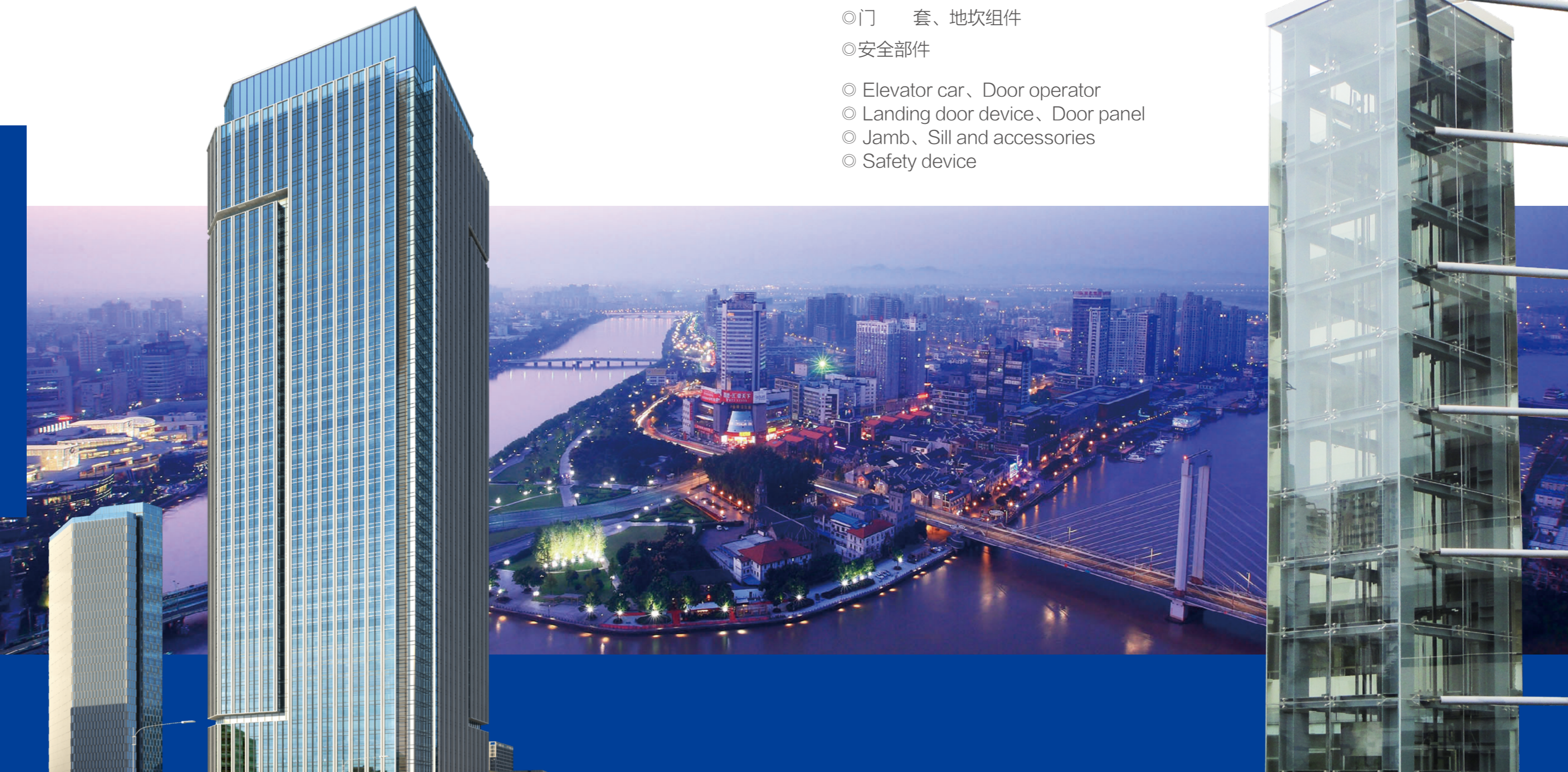
因为专业 所以卓越
Outstanding Since Professional

专业
优势

涉及领域 Product series

- ◎电梯轿厢、门机
- ◎层门装置、门扇
- ◎门套、地坎组件
- ◎安全部件

- ◎ Elevator car、Door operator
- ◎ Landing door device、Door panel
- ◎ Jamb、Sill and accessories
- ◎ Safety device



OULING
Enterprise
Philosophy

因为专业 所以卓越
Outstanding Since Professional

企业 理念

理念是欧菱人的核心思想，是欧菱的精神图腾。体现力臻完美，专注创新；诚心服务；精诚团结、和谐共赢；开拓进取，不断超越。

Enterprise philosophy is the core thoughts of whole Ouling staff, and spiritual totem as well. It reflects striving for excellence focusing on innovation; sincere services; solidarity, co-win with harmony; forging ahead and continuously surpass.

◎企业宗旨：

因为专业，所以卓越

◎品牌理念：

力臻完美，精益求精，夯实品牌基石

◎管理理念：

以人为本，与时俱进，接轨时代步伐

◎技术理念：

永无止境，专注创新，创造独特价值

◎营销理念：

重诺守信，拓展价值，携手完美双赢

◎服务理念：

有求必应，以客为尊，服务尽善尽美

◎ Enterprise tenet:

Outstanding since professional

◎ Brand concept:

Aim at perfect, keep improving and take high class quality as the brand foundation.

◎ Management philosophy:

People oriented, keep pace with the times, integrating with modernization step.

◎ Technique concept:

Never end, devote to innovation, create unique value.

◎ Marketing philosophy:

Integrity first, expanding value, perfect win-win and hand in hand.

◎ Service concept:

Respect customers, do the best to solve any problem, service perfect.



OULING
Enterprise Profile
因为专业 所以卓越
Outstanding Since Professional

企业简介

宁波欧菱电梯配件有限公司位于浙江省宁波市鄞州区东吴镇，从事电梯配件设计制造逾 30 年，积累了丰富的行业经验。公司主要生产电梯轿厢、门机、层门装置、门扇、门套、安全部件、各类客货梯地坎组件等系列产品以及其他电梯配件产品，其中门机、层门装置产品在国内市场占有率多年保持领先地位。

公司技术力量雄厚，管理体系完善，连续多年被行业相关部门评为用户满意服务单位；生产的门机、层门装置、安全部件等产品也连续多次被评为用户满意产品。近年来，研发成果斐然，共有 100 多项技术和产品获得国家专授权。公司先后被评为国家高新技术企业，市级工程技术中心、宁波市高成长企业、浙江省级专利示范企业；同时还连续多年入选了宁波市 50 佳及鄞州区 50 强企业。



欧菱总部

Ningbo Ouling elevator components co., ltd. Located at dongwu town, yinzhou district, Ningbo, Zhejiang province, we are engaged in manufacturing elevator components for more than 30 years with rich experience. main products are: elevator car, door operators, landing door devices, door panel, jamb, safety devices, varied sill parts and other components.especially, door operators and landing door devices have kept leading market share for years.

Company has a strong technical force and complete management system. Company has been named as "customer satisfaction enterprise" by government department for several years, and our products are also named as "customer satisfaction products" many times. In recent years, we make rapid progress in research and development, We own more than 100 national patent, and many other honorary titles: "the National high and new technology enterprise", "Ningbo engineering technology center", "Ningbo high growth enterprise", "Zhejiang patent demonstration enterprise", "Top 50 enterprises of NINGBO" and "Top 50 enterprises of YINZHOU".



欧菱总部

因为专业 所以卓越 Outstanding Since Professional

公司占地 150 余亩，建筑面积 8 万多平方米。拥有激光切割加工中心、智能焊接机器人、多工位加工中心、数控折弯机、大型级进式冲压设备、双闭式冲床、数控开槽机、自动化车削加工中心等多种先进的专业设备，具有年产门机 20 万台、层门 200 万套、安全部件 2 万套的年生产能力。

公司已与国内外 300 多家电梯制造商建立了长期合作关系，销售网络覆盖了国内主要的电梯生产聚集区域，除宁波本部外，在“电梯之乡”之称的浙江南浔建立了辐射长三角的销售物流中心，在华南、东北、华北设立销售分支机构，并拟以重庆为依托，建立辐射西南市场的销售公司。

公司始终坚持以科技创新为企业发展的动力，努力为客户提供高性价比的产品；为客户创造价值为己任，以诚信为先、服务至上的经营宗旨，竭诚为广大新老客户服务。

Company covers about 150mu (100,000square meters), building area covers 80,000square meters. There are: Laser cutting processing center, Automatic welding robot, multi position processing center, CNC bending machine, Large scale progressive stamping equipment, double closed punch press, CNC grooving machine, Automatic turning center, and other advanced professional equipments. annual production capacity is more than 200,000sets door operators, 2,000,000sets landing door devices and 20,000sets safety devices .

We have established long term business cooperation with about more than 300 domestic and overseas elevator companies. Our selling network covers almost all domestic lift industry areas. Except Ningbo headquarter, we have established selling logistics center in Nanxun, Zhejiang, to serve whole Yangtze River delta. We also have selling branches in Southern area of China, northeast area, Northern area of China. now we are planning to establish selling company in Chongqing city to enlarge and serve southwest selling market .

We are always insisting on technology innovation as driving force for enterprise development, devote to provide better products and better services; take responsibility of benefiting customers, to be honest, to be trustworthy, to do best to service all customers.



OULING
Qualification
Honor

因为专业 所以卓越
Outstanding Since Professional

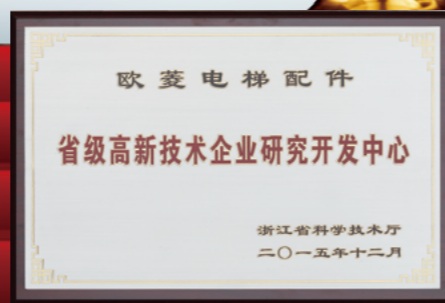
**资质
荣誉**

公司拥有 100 多项技术和产品获得国家专利授权、并先后荣获多年入选鄞州区工业 50 强企业、宁波名牌产品、高新技术企业、科技创新先进单位等各项荣誉。累累硕果见证了欧菱企业卓越实力，同时也展现了欧菱人敢于挑战创新，持续拼搏的精神。

We owns more than 100 national patents of the technologies and products , and we have been awarded a number of honorary titles such as "Yinzhou Top 50 Industrial Enterprises" , "Ningbo famous brand products" "High-tech Enterprise" and "Advanced Science and Technology Enterprise" in the past years. Fruitful achievements witness the remarkable strength of Ouling, and also demonstrate the spirit of Ouling's staff - dare to challenge, to innovate and struggle continuously.

三十多载磨砺 铸就欧菱品牌

Over three decades of efforts and hard work
achieve Ouling as a renowned brand



OULING
Enterprise
competent

因为专业 所以卓越
Outstanding Since Professional

**企业
实力**

公司拥有国内外高端研发生产设备, 设备有激光切割加工中心、自动焊接机器人, 高速连续级进冲压设备, 聚氨酯自动浇注流水线等。在生产与研发上处于行业领先水平。先进的硬件设备实现了生产及研发的规范化。

The company has domestic and overseas high-end R&D and production equipments, including laser cutting processing center, automatic welding robots, high-speed progressive stamping equipment and automatic polyurethane casting lines, etc. It is playing a leading role in the industry production and R&D. Advanced hardware facilities ensure the standardization of production and R&D.



◎ 激光切割加工中心

◎ 自动焊接机器人

◎ 高速连续级进冲压设备

◎ 聚氨酯自动浇注流水线

◎ Laser cutting processing center

◎ Automatic welding robot

◎ High speed progressive stamping equipment

◎ Automatic polyurethane pouring production line



- ◎多工位转塔冲床 ◎ Multi position turret punch press
- ◎自动化装配流水线 ◎ Automatic assembly line
- ◎数控折弯机 ◎ CNC bending machine



中分门系列
Door System

◎ OMJ-100A、OMJ-100B、OMJ-100C 中分永磁同步门机 2-Leafs Center Opening Permanent Magnet Synchronous Door Operator	01-04
◎ OMJ-101A、OMJ-101B、OMJ-101C 中分变频同步门机 2-Leafs Center Opening VVVF Synchronous Door Operator	05-08
◎ OMJ-09XA、OMJ-09XB、OMJ-09X 中分三相变频异步门机 2-Leafs Center Opening VVVF Asynchronous Door Operator	09-12
◎ OMJ-11XA/12XA、OMJ-11XB/12XB、OMJ-11X/12X 中分交流永磁变频异步门机 2-Leafs Center Opening Permanent Magnet Asynchronous Door Operator	13-16
◎ OMJ-01XB、OMJ-01XA 中分三相变频异步门机 2-Leafs Center Opening VVVF Asynchronous Door Operator	17-18
◎ OMJ-01、OMJ-01D 中分三相变频异步门机 2-Leafs Center Opening VVVF Asynchronous Door Operator	19-20
◎ OCM01-BA、OCM01-BM 中分式层门装置(重锤式) 2-Leafs Center Opening Landing Door Device(Common Weight Type)	21-22
◎ OCM01-BB、OCM01-BT 中分式层门装置(重锤旁置式) 2-Leafs Center Opening Landing Door Device(Common Weight Side-placed Type)	23-24
◎ OCM01-CD、OCM01-CM 中分式层门装置(拉簧式) 2-Leafs Center Opening Landing Door Device(Common Spring Type)	25-26
◎ OCM01-B 中分式层门装置(重锤式) 2-Leafs Center Opening Landing Door Device(Common Weight Type)	27-28
◎ OCM-01C 中分式层门装置(拉簧式) 2-Leafs Center Opening Landing Door Device(Common Spring Type)	29-30
◎ OCM01-D 中分式层门装置(重锤式) 2-Leafs Center Opening Landing Door Device(Common Weight Type)	31-32
◎ OCM01-BW 中分式层门装置(重锤式) 2-Leafs Center Opening Landing Door Device(Common Weight Type)	33-34
◎ OCM01-BF 中分式层门装置(防火型) 2-Leafs Center Opening Landing Door Device(Fireproof Type)	35-36
◎ OCM01-EF 中分式层门装置(防火隔热型) 2-Leafs Center Opening Landing Door Device(Fireproof adiabatic type)	37-38

旁开双折门系列
2-Leafs Side
Opening
Door System

◎ OMJ-500A、OMJ-500B 旁开双折永磁同步门机 2-Leafs Center Opening Permanent Magnet Synchronous Door Operator	39-40
◎ OMJ-501A、OMJ-501B 旁开双折变频同步门机 2-Leafs Side Opening VVVF Synchronous Door Operator	41-42
◎ OMJ-02X、OMJ-02JDX 旁开双折三相变频异步门机 2-Leafs Side Opening VVVF Asynchronous Door Operator	43-44
◎ OCM-02AX 旁开双折层门装置、OCM02C 旁开双折层门装置 2-Leafs Side Opening Landing Door Device	45-46
◎ OCM-06X 旁开双折层门装置 2-Leafs Side Opening Landing Door Device	47-48
◎ OCM-02B 旁开双折式层门装置(防火型) 2-Leafs Side Opening Landing Door Device(Fireproof Type)	49-50
◎ OCM02-EF 旁开双折式层门装置(防火隔热型) 2-Leafs Side Opening Landing Door Device(Fireproof adiabatic type)	51-52

中分双折门系列 2-Leafs Center Opening Door System	◎ OMJ-200A、OMJ-200B 中分双折永磁同步门机 4-Leafs Center Opening Permanent Magnet Synchronous Door Operator	53-54
	◎ OMJ-201A、OMJ-201B 中分双折变频同步门机 4-Leafs Center Opening VVVF Synchronous Door Operator	55-56
	◎ OMJ-05AX、OMJ-05BX 中分双折三相变频异步门机 4-Leafs Center Opening VVVF Asynchronous Door Operator	57-58
	◎ OMJ-05X、OMJ-05JDX 中分双折三相变频异步门机 4-Leafs Center Opening VVVF Asynchronous Door Operator	59-60
	◎ OCM-05AX 中分双折层门装置 4-Leafs Center Opening Landing Door Device	61-62
	◎ OCM-05X 中分双折层门装置 4-Leafs Center Opening Landing Door Device	63-64
	◎ OCM-05B 中分双折式层门装置 (防火型) 4-Leafs Center Opening Landing Door Device(Fireproof Type)	65-66

别墅梯门系列 Home Lift Door System	◎ OMJ-106A、OMJ-106C 中分永磁同步别墅梯门机 2-Leafs Center Opening Permanent Magnet Synchronous Door Operator For Home Lifts	67-68
	◎ OCM-106 中分式别墅梯层门装置 (拉簧式) 2-Leafs Center Opening Landing Door Device For Home Lifts (Common Spring Type)	69-70
	◎ OMJ-110A、OMJ-110C 中分永磁同步别墅梯门机 2-Leafs Center Opening Permanent Magnet Synchronous Door Operator For Home lifts	71-72
	◎ OCM-110D 中分式别墅梯层门装置 (拉簧式) 2-Leafs Center Opening Landing Door Device For Home Lifts(Common Spring Type)	73-74
	◎ OMJ-506A 旁开双折式永磁同步别墅梯门机 2-Leafs Center Opening Landing Door Device	75-76
	◎ OCM-506 旁开双折式别墅梯层门装置 (拉簧式) 2-Leafs Side Opening Landing Door Device for Home Lift(Common Spring Type)	77-78
	◎ OMJ-206A 中分双折式永磁同步别墅梯门机 4-Leafs Center Opening Permanent Magnet Synchronous Door Operator for Home Lifts	79-80
	◎ OCM-206 中分双折式别墅梯层门装置 (拉簧式) 4-Leafs Center Opening Landing Door Device(Common Spring Type)	81-82

中分高速梯门系列 Center Opening High-speed Lift Door System	◎ OMJ-120A 中分式永磁同步高速梯门机 2-Leafs Center Opening Permanent Magnet Synchronous Door Operator For High-speed Lifts	83-84
	◎ OCM-120B 中分式高速梯层门装置 2-Leafs Center Opening Landing Door Device For High-speed Lifts	85-86

三折门系列 3-Leafs Door System	◎ OMJ-602A、OMJ-602B 旁开三折式永磁同步门机 3-Leafs Side Opening Permanent Magnet Synchronous Door Operator	87-88
	◎ OCM-602 旁开三折式层门装置 3-Leafs Side Opening Landing Door Device	89-90
	◎ OMJ-302A、OMJ-302B 中分三折永磁同步门机 6-Leafs Center Opening Permanent Magnet Synchronous Door Operator	91-92
	◎ OCM-302 中分三折式层门装置 6-Leafs Center Opening Landing Door Device	93-94

旁开单折门系列 1-Leaf Side Opening Door System	◎ OMJ-400A、OMJ-400B 旁开单折永磁同步门机 1-Leaf Side Opening Permanent Magnet Synchronous Door Operator	95-96
	◎ OCM-400A 旁开单折层门装置 1-Leaf Side Opening Landing Door Device	97-98

门扇 / 门套 / 地坎系列 Door Panel / Door Jamb / Sill	◎ 客梯中分轿门门扇 / 地坎 / 护脚板 Door Panel, Sill and Apron For Center Opening Door Operator of the Passenger Elevator	99-100
	◎ 客梯中分层门门扇 / 地坎 / 门套 Door Panel,Sill and Jamb for Center Opening Landing Door Device of the Passenger Elevator	101-102
	◎ 客梯中分门套组件 Jamb Accessories for Center Opening Door Operator of the Passenger Elevator	103-104
	◎ 中分层门地坎 / 护脚板 Sill / Landing Apron and Accessories for Center Opening Landing Door Device	105-106
	◎ 货梯轿门门扇 / 层门门扇 Door Operator Panel and Landing Door Panel for Freight Elevator	107-110
	◎ 货梯地坎 / 地坎组件 Sill / Sill Accessories for Freight Elevator	111-118
	◎ 货梯小门套组件 Jamb / Jamb Accessories for Freight Elevator	119-120

配件系列 Accessories	◎ 客梯系列门机主要零部件 Components for Door Operator of the Passenge Elevator	121
	◎ 客梯系列层门主要零部件 Components for Landing Door Device of the Passenge Elevator	122
	◎ 电梯配套件系列 Elevator Fittings Series	123-128

安全部件系列 Safety Device	◎ XS240-A 防溜车型单向限速器 Non-Slip One-Way Governor	129-130
	◎ XS240 单向限速器 One-Way Governor	131-132
	◎ XS240W 单向无机房限速器 One-Way Machine Roomless Governor	133-134
	◎ XS260(XS260A) 双向限速器 Two-Way Governor	135-136
	◎ ZJ240 涨紧装置 Tensioning Device	137
	◎ ZJ240A 涨紧装置 Tensioning Device	138
	◎ ZJ240B 涨紧装置 Tensioning Device	139
	◎ ZJ260A(Φ200) ZJ260(Φ240) 涨紧装置 Tensioning Device	140
	◎ 弹簧楔块式绳头组合 Spring Rope Fastening	141
	◎ 橡胶楔块式绳头组合 Rubber Rope Fastening	142
	◎ 活动楔块式绳头组合 Flexible Rope Fastening	143
	◎ 液压缓冲器 YHC 系列 Buffer YHC Series	144
	◎ 门板喷漆标准色卡 Painted Door Panel Standard Color	145

中分永磁同步门机

2-Leafs Center Opening Permanent Magnet Synchronous Door Operator



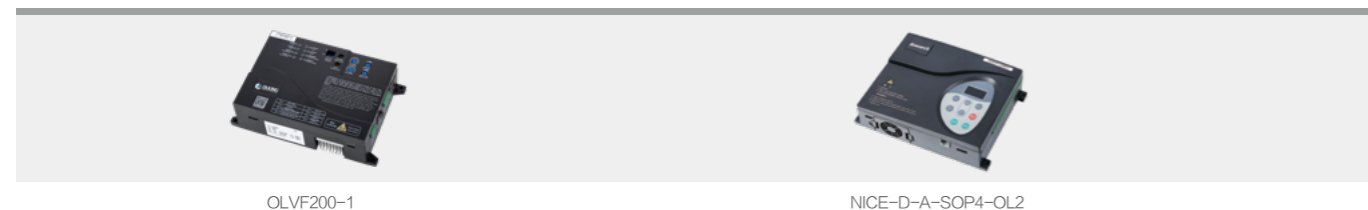
识别号: OMJ-100A (轿顶式) OMJ-100B (轿架直梁式) OMJ-100C (前壁门楣式)

- 特征:
- 采用永磁同步电机, 额定转矩大, 高效节能环保
 - 采用集成轿门锁功能的同步门刀, 真正实现厅轿门同步开闭
 - 采用同步带直接传动, 无滑差, 运行平稳噪音更低
 - 采用全闭环伺服控制技术, 调试简便, 控制精度高
 - 门挂板设置防撞击脱落安全挂钩, 安全可靠

Serial NO: OMJ-100A (Car Top Installation) OMJ-100B (Straight Beam Installation) OMJ-100C (On Car Front-Wall Installation)

- Feature:
- Using permanent magnet motor, wide torque range, high efficiency, environmental protection, energy saving
 - The synchronous vane is equipped with door lock function, the door operator and landing door device 100% opened or closed synchronously
 - The synchronous belt drive directly, no slip, running smoothly in lower noise
 - Full-closed-loop control technology, safe, reliable and easy to adjust
 - The door hanger has a safety hook to prevent collision and fall off

门控制器配置 (选配) Inverter(Optional):

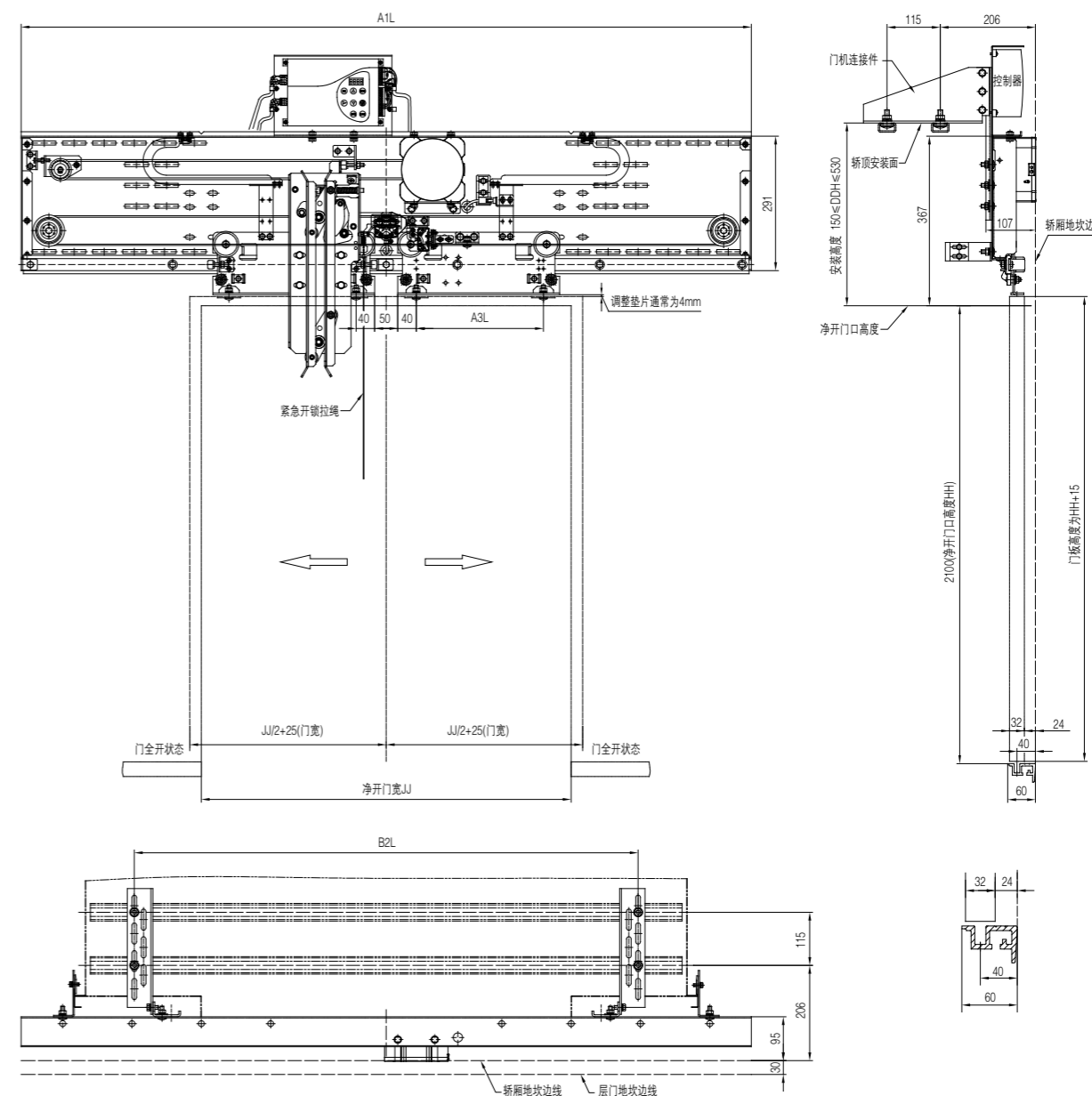


安装方式附件配置 Installation Attachment:

1、轿顶安装 For Car Top Installation 			2、前壁门楣安装 For Car Front-Wall Installation 		
1.1 轿顶安装支架 Car top installation brackets Drawing NO: M1002042	1.2 加强安装支架 Strengthened installation bracket Drawing NO: M1002046	1.3 轿顶安装 C 型管 (选配) Fixing pipe for car top installation(optional) Drawing NO: OMJ01-03	2.1 门楣安装支架 Car front-wall installation brackets Drawing NO: M1002049		
3、轿架直梁安装 For Straight Beam Installation 					
3.1 安装臂组件 Installation arm module Drawing NO: M1002001	3.2 直拉杆组件 / 长拉杆组件 Straight tie-rod module / long tie-rod module Drawing NO: M1002015 / M1002012	3.3 大拉钩 / 小拉钩 Big pull hook / small pull hook Drawing NO: OMJ01.26 / OMJ01.32	3.4 安装侧板组件 Side bracket for installation Drawing NO: M1002025		

OMJ-100A 中分永磁同步门机 (轿顶式)

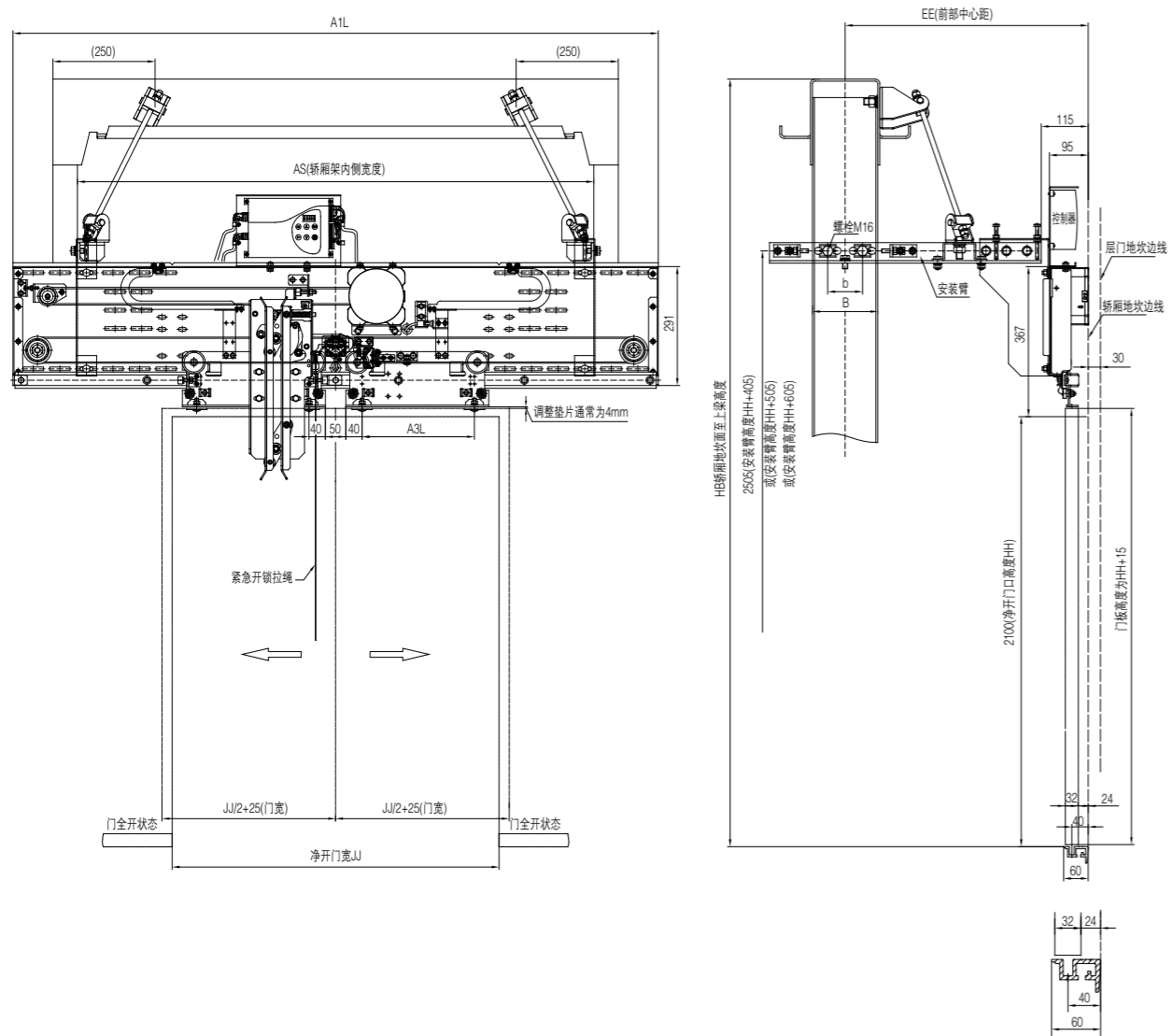
2-Leafs Center Opening Permanent Magnet Synchronous Door Operator (Car Top Installation)



净开门宽 JJ	600	650	700	750	800	850	900	950	1000	1050	1100	1150	1200
A1L	1180	1280	1380	1480	1580	1680	1780	1880	1980	2080	2180	2280	2380
A3L	175	200	225	250	275	300	325	350	375	400	425	450	475
B2L	890/1020	940/1070	990/1120	1040/1170	1090/1220	1140/1270	1190/1320	1240/1370	1290/1420	1340/1470	1390/1520	1440/1570	1490/1620

OMJ-100B 中分永磁同步门机 (轿架直梁式)

2-Leafs Center Opening Permanent Magnet Synchronous Door Operator
(Straight Beam Installation)

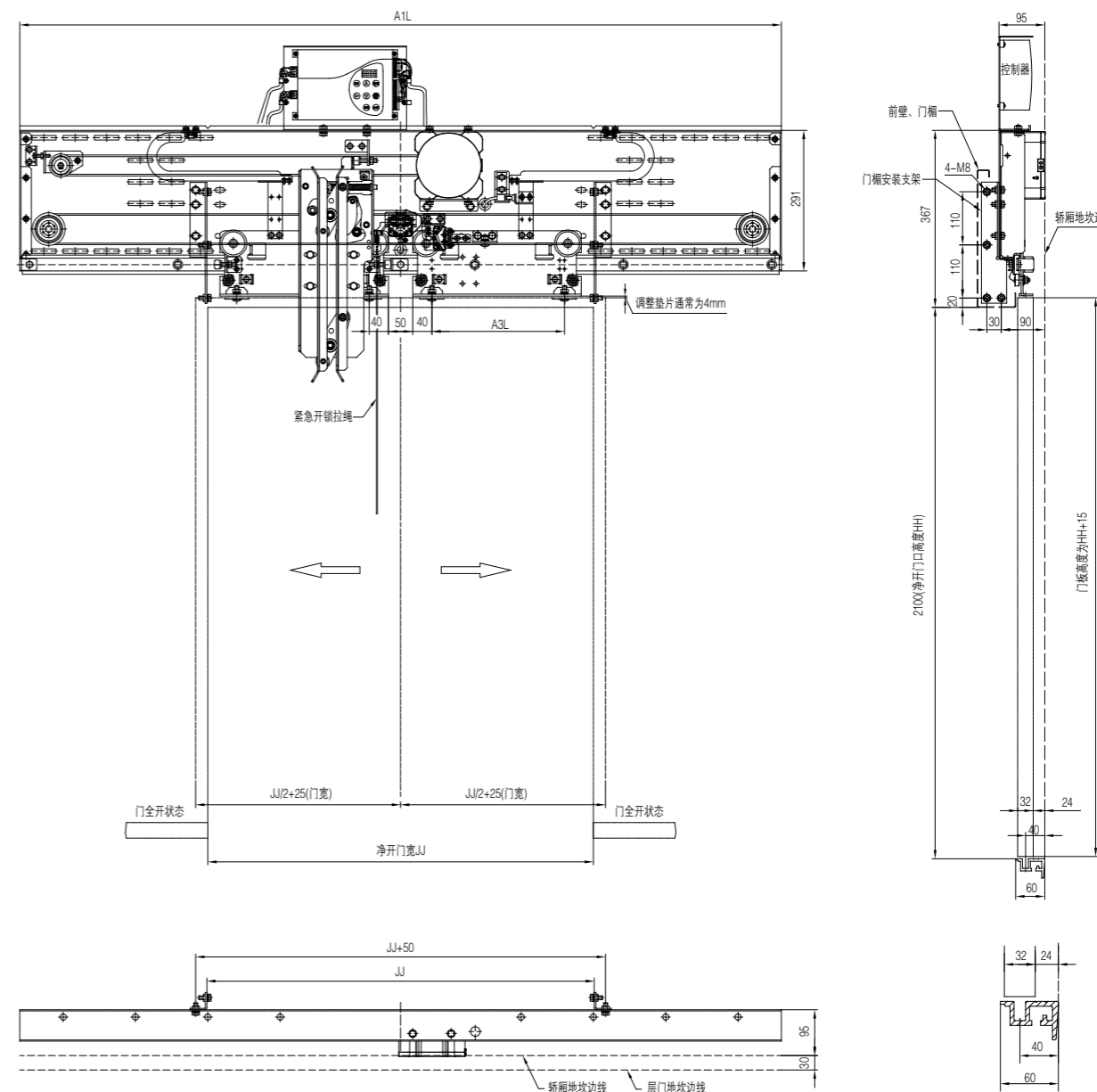


净开门宽 JJ	600	650	700	750	800	850	900	950	1000	1050	1100	1150	1200
A1L	1180	1280	1380	1480	1580	1680	1780	1880	1980	2080	2180	2280	2380
A3L	175	200	225	250	275	300	325	350	375	400	425	450	475

HB、AS、EE、B、b、HH 根据客户指令确定 According to the customer's order

OMJ-100C 中分永磁同步门机 (前壁门楣式)

2-Leafs Center Opening Permanent Magnet Synchronous Door Operator
(On Car Front-Wall Installation)



净开门宽 JJ	600	650	700	750	800	850	900	950	1000	1050	1100	1150	1200
A1L	1180	1280	1380	1480	1580	1680	1780	1880	1980	2080	2180	2280	2380
A3L	175	200	225	250	275	300	325	350	375	400	425	450	475

中分门系列
2-Leafs Door System

旁开双开门系列
2-Leafs Door System

中分双开门系列
4-Leafs Door System

侧壁开门系列
Hornet Door System

中分高速门系列
2-Leafs High-Speed Door System

三开门系列
3-Leafs Door System

旁开单开门系列
SO Door System

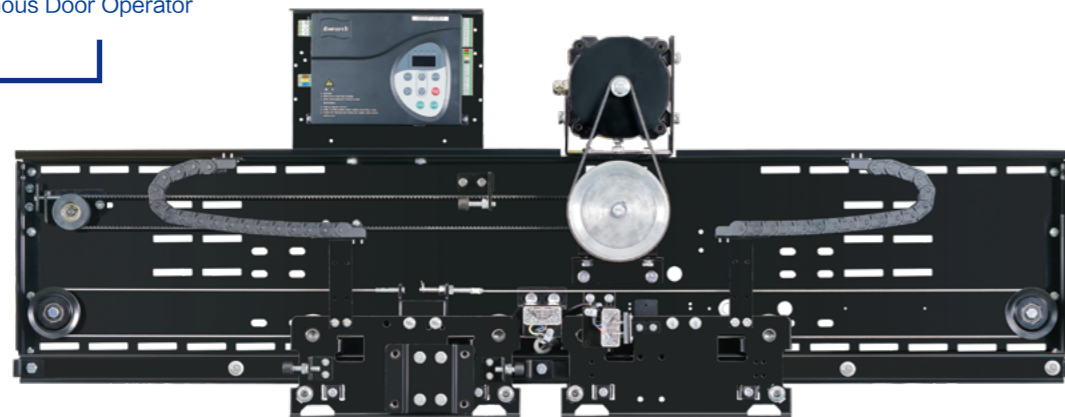
门楣 / 门套 / 地坎系列
Door Panel / Door L jamb / Sill

配件系列
Accessories

安全部件系列
Safety Device

中分变频同步门机

2-Leafs Center Opening VVVF Synchronous Door Operator



- 识别号: OMJ-101A (轿顶式) OMJ-101B (轿架直梁式) OMJ-101C (前壁门楣式)
- 特征:
 ○采用集成轿门锁功能的同步门刀, 真正实现厅轿门同步开闭
 ○采用一级减速同步带传动, 无滑差, 运行平稳噪音更低
 ○采用 VVVF 变频控制技术, 性能可靠, 调试简便
 ○门挂板设置防撞击脱落安全挂钩, 安全可靠

- Serial NO: OMJ-101A (Car Top Installation) OMJ-101B (Straight Beam Installation) OMJ-101C (On Car Front-Wall Installation)
- Feature:
 ○ The synchronous vane is equipped with door lock function, the door operator and landing door device 100% opened or closed synchronously
 ○ The synchronous belt drive directly, no slip, no lubrication, running smoothly in lower noise
 ○ VVVF control system, safe, reliable and easy to adjust
 ○ The door hanger has a safety hook to prevent collision and fall off

门控制器配置 (选配) Inverter(Optional):



OLVF300-1

NICE-D-A-SOP4-OL2

AA03040D-OL

安装方式附件配置 Installation Attachment:

1、轿顶安装 For Car Top Installation



- 1.1 轿顶安装支架
Car top installation brackets
Drawing NO: M1002042
- 1.2 加强安装支架
Strengthened installation bracket
Drawing NO: M1002046
- 1.3 轿顶安装 C 型管 (选配)
Fixing pipe for car top installation(optional)
Drawing NO: OMJ01-03

2、前壁门楣安装 For Car Front-Wall Installation



- 2.1 门楣安装支架
Car front-wall installation brackets
Drawing NO: M1002049

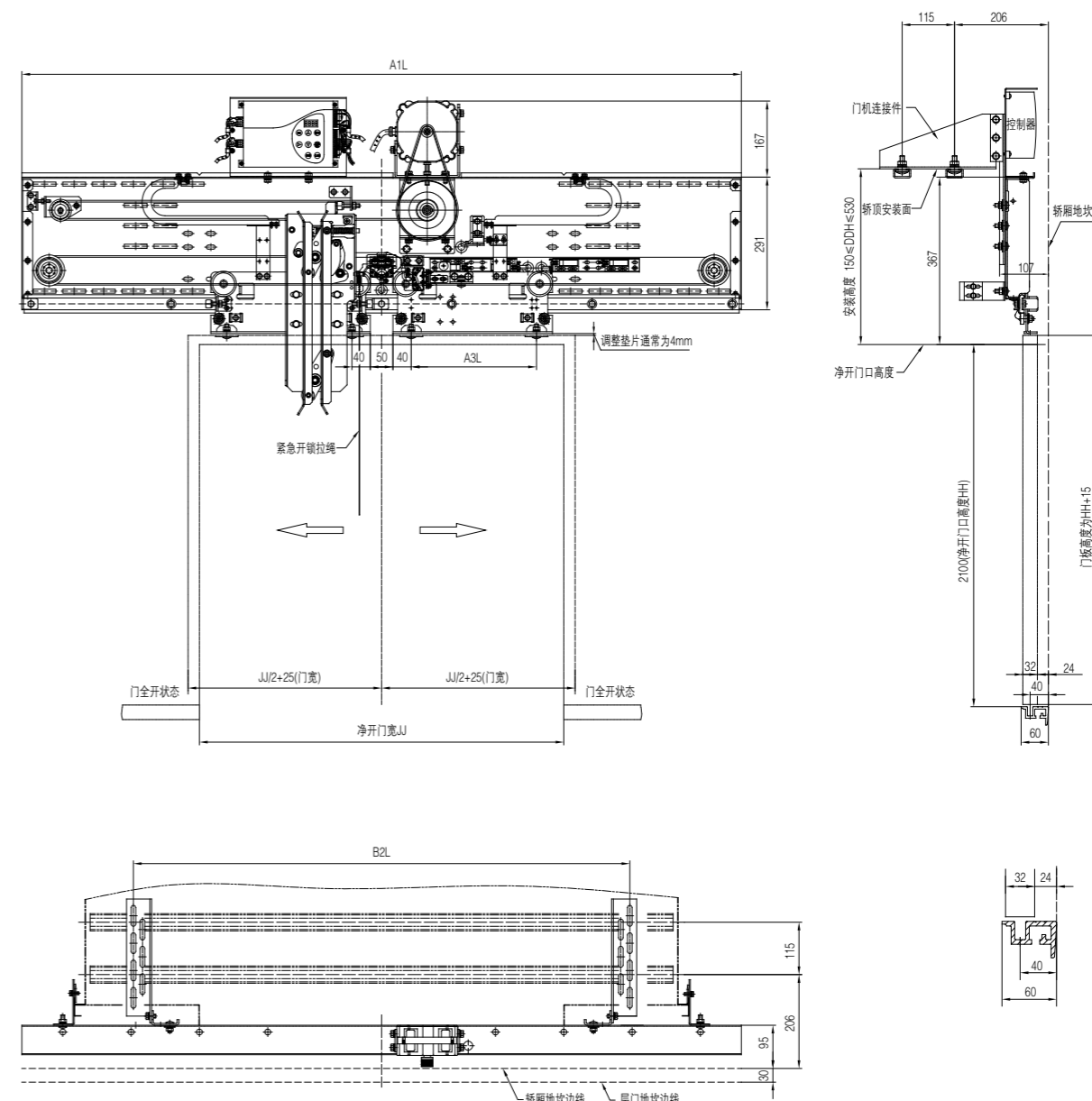
3、轿架直梁安装 For Straight Beam Installation



- 3.1 安装臂组件
Installation arm module
Drawing NO: M1002001
- 3.2 直拉杆组件 / 长拉杆组件
Straight tie-rod module / long tie-rod module
Drawing NO: M1002015 / M1002012
- 3.3 大拉钩 / 小拉钩
Big pull hook / small pull hook
Drawing NO: OMJ01.26 / OMJ01.32
- 3.4 安装侧板组件
Side bracket for installation
Drawing NO: M1002025

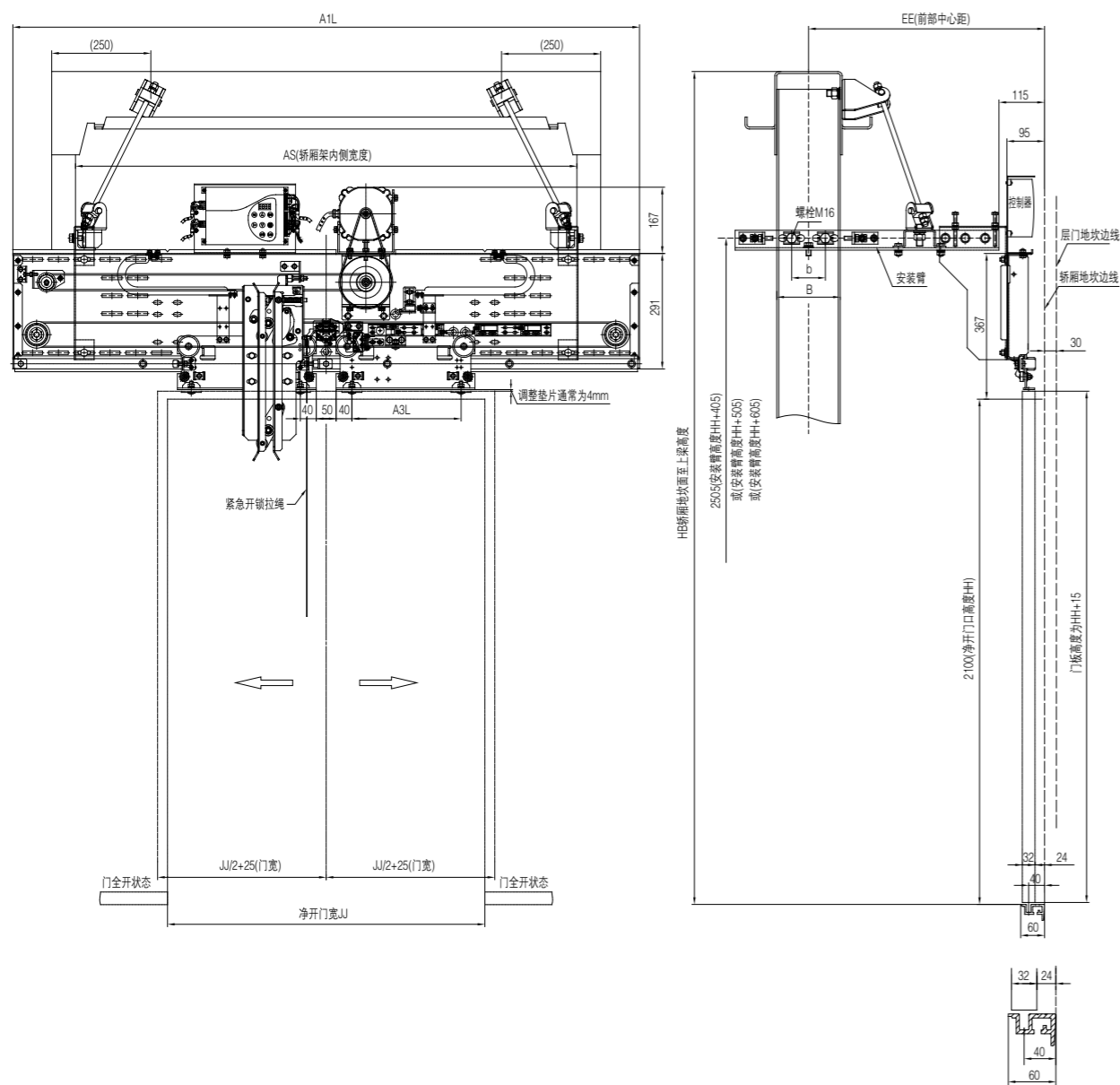
OMJ-101A 中分变频同步门机 (轿顶式)

2-Leafs Center Opening VVVF Synchronous Door Operator (Car Top Installation)



净开门宽 JJ	700	750	800	850	900	950	1000	1050	1100	1150	1200
A1L	1380	1480	1580	1680	1780	1880	1980	2080	2180	2280	2380
A3L	225	250	275	300	325	350	375	400	425	450	475
B2L	990/1120	1040/1170	1090/1220	1140/1270	1190/1320	1240/1370	1290/1420	1340/1470	1390/1520	1440/1570	1490/1620

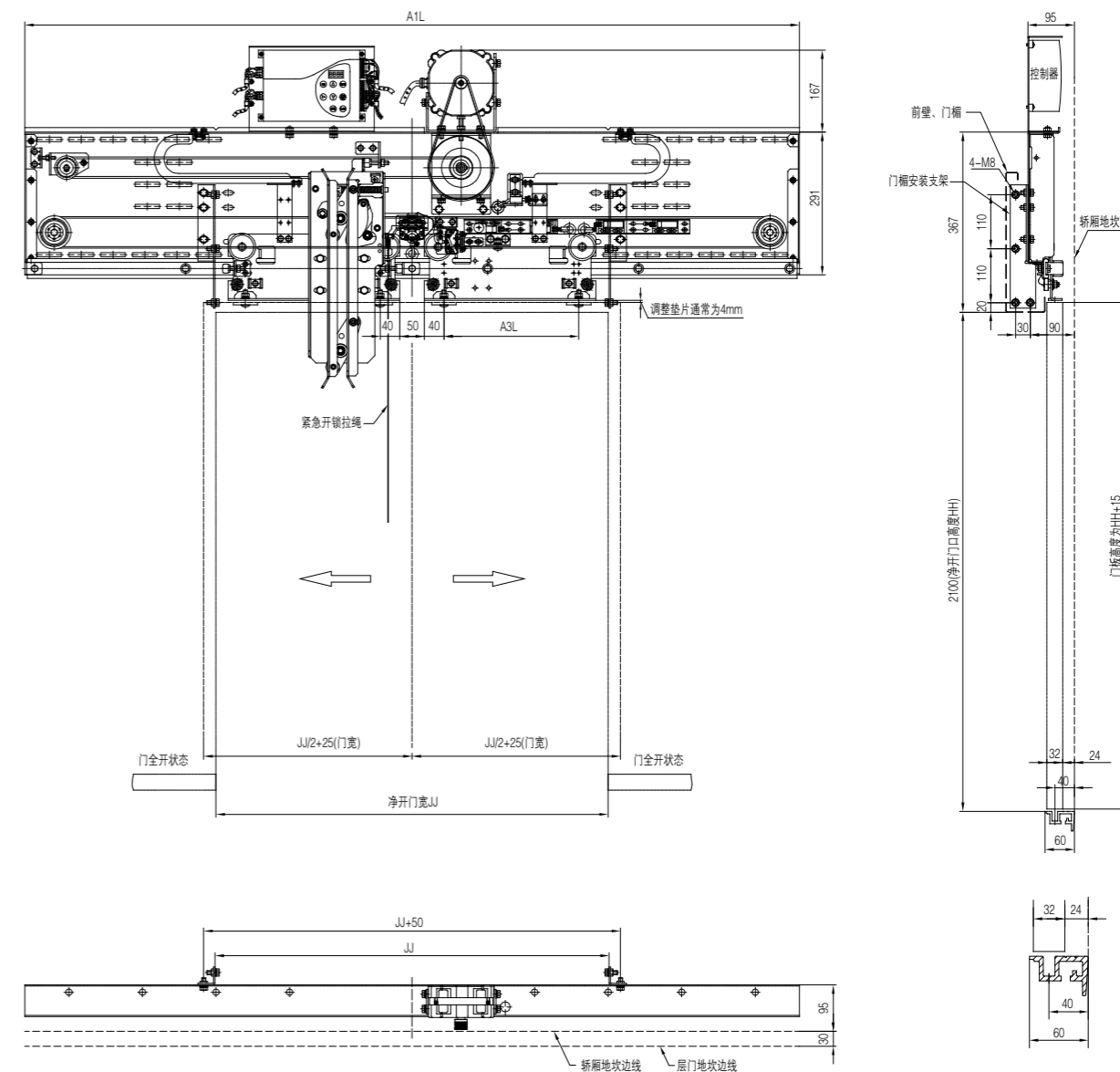
OMJ-101B 中分变频同步门机 (轿架直梁式)
2-Leafs Center Opening VVVF Synchronous Door Operator
(Straight Beam Installation)



净开门宽 JJ	700	750	800	850	900	950	1000	1050	1100	1150	1200
A1L	1380	1480	1580	1680	1780	1880	1980	2080	2180	2280	2380
A3L	225	250	275	300	325	350	375	400	425	450	475

HB、AS、EE、B、b、HH 根据客户指令确定 According to the customer's order

OMJ-101C 中分变频同步门机 (前壁门楣式)
2-Leafs Center Opening VVVF Synchronous Door Operator
(On Car Front-Wall Installation)



净开门宽 JJ	700	750	800	850	900	950	1000	1050	1100	1150	1200
A1L	1380	1480	1580	1680	1780	1880	1980	2080	2180	2280	2380
A3L	225	250	275	300	325	350	375	400	425	450	475

中分门系列
2 CO Door System

旁开双折门系列
2 SO Door System

中分双折门系列
4 CO Door System

别墅门系列
Home Lift Door System

中分高速门系列
2 CO High-speed Door System

三折门系列
3-Leafs Door System

旁开单折门系列
SO Door System

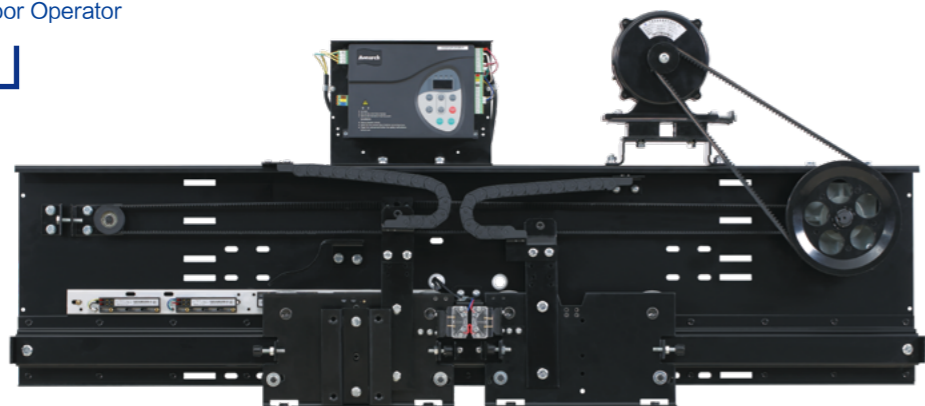
门楣/门套/地坎系列
Door Panel / Door L jamb / Sill

配件系列
Accessories

安全部件系列
Safety Device

中分三相变频异步门机

2-Leafs Center Opening VVVF Asynchronous Door Operator



- 识别号: OMJ-09XA (轿顶式) OMJ-09XB (轿架直梁式) OMJ-09X (前壁门楣式)
- 特征:
 ●采用同步带传动, 无滑差, 无需润滑, 运行平稳噪音更低
 ●采用集成轿门锁功能的异步门刀, 实现门挂板上安装
 ●采用VVVF变频控制技术, 性能可靠, 调试简便
 ●采用扁平型电机, S形压制导轨, 结构更紧凑

Serial NO: OMJ-09XA (Car Top Installation) OMJ-09XB (Straight Beam Installation) OMJ-09X (On Car Front-Wall Installation)

- Feature:
 ● The synchronous belt drive directly, no slip, no lubrication, running smoothly in lower noise
 ● The asynchronous vane is equipped with door lock function, installation on door hanger
 ● VVVF control system, safe, reliable, easy to adjust
 ● Flat shape motor, S-shaped guide rail, more compact structure

门控制器配置 (选配) Inverter(Optional):



OLVF300-1

NICE-D-A-SOP4-OL2

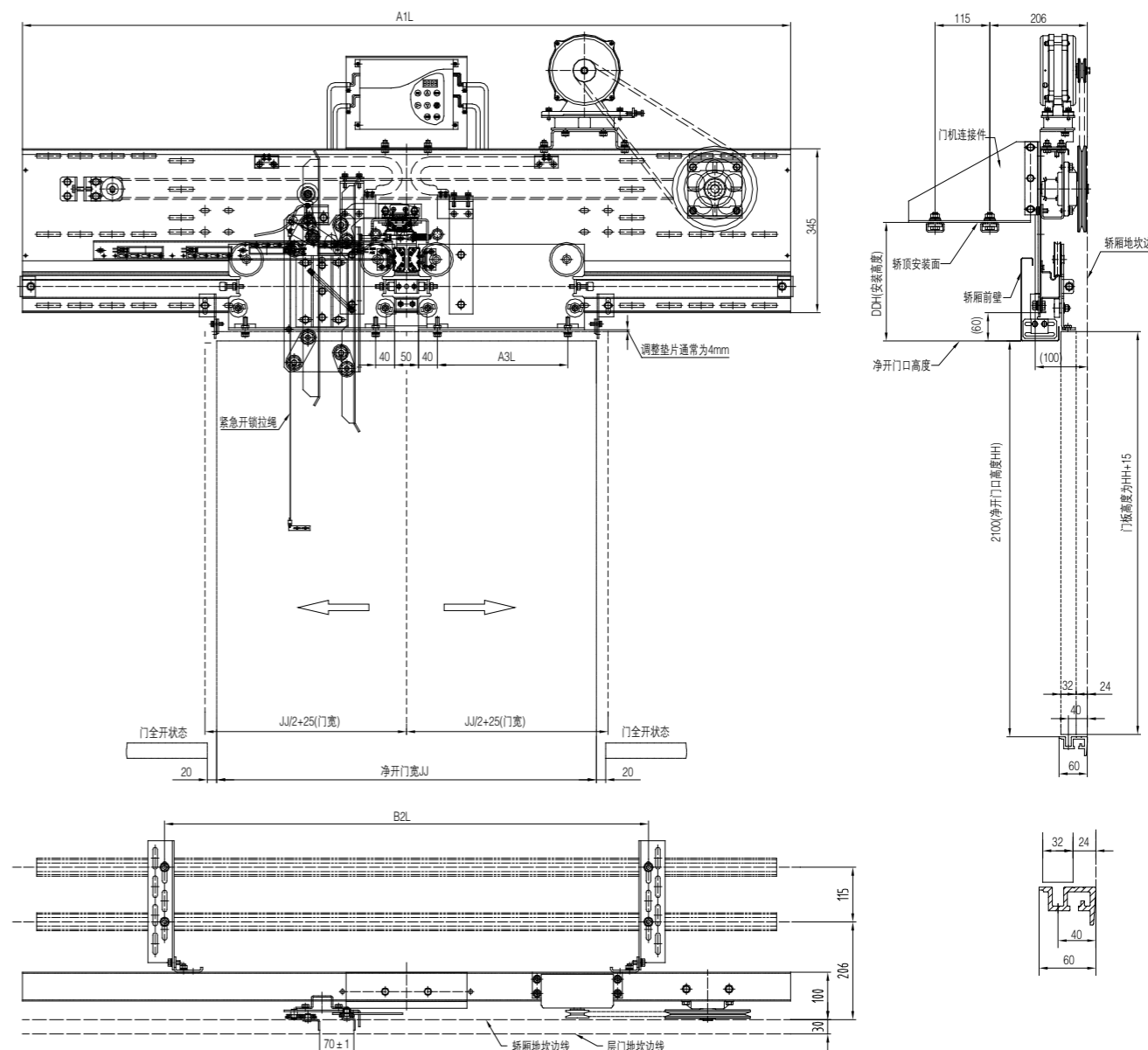
AA03040D-OL

安装方式附件配置 Installation Attachment:

1. 前壁门楣安装 For Car Front-Wall Installation 		2. 轿顶安装 For Car Top Installation 	
1.1 门楣安装支架 Car front-wall installation brackets Drawing NO: OMJ09X-1	2.1 轿顶安装支架 Car top installation brackets Drawing NO: OMJ01-01 / OMJ01-02	2.2 加强安装支架 Strengthened installation bracket Drawing NO: OMJ11-1B	2.3 轿顶安装 C 型管 (选配) Fixing pipe for car top installation(optional) Drawing NO: OMJ01-03
3. 轿架直梁安装 For Straight Beam Installation 			
3.1 安装臂组件 Installation arm module Drawing NO: OMJ01.23D	3.2 直拉杆组件 / 长拉杆组件 Straight tie-rod module / long tie-rod module Drawing NO: OMJ01.25 / OMJ01.24	3.3 大拉钩 / 小拉钩 Big pull hook / small pull hook Drawing NO: OMJ01.26 / OMJ01.32	3.4 安装侧板组件 Side bracket for installation Drawing NO: OMJ09X.1.13

OMJ-09XA 中分三相变频异步门机 (轿顶式)

2-Leafs Center Opening VVVF Asynchronous Door Operator (Car Top Installation)



净开口宽 JJ	650	700	750	800	850	900	950	1000	1050	1100	1150	1200
A1L	1320	1420	1520	1620	1720	1820	1920	2020	2120	2220	2320	2420
A3L	200	225	250	275	300	325	350	375	400	425	450	475
B2L	870	920	970	1020	1070	1120	1170	1220	1270	1320	1370	1420

中分门系列
2-Leafs Door System

旁开双折门系列
2-Leafs Door System

中分双折门系列
4-Leafs Door System

别墅梯门系列
HomeLift Door System

中分高速梯门系列
2CO High-speed Door System

三折门系列
3-Leafs Door System

旁开单折门系列
SO Door System

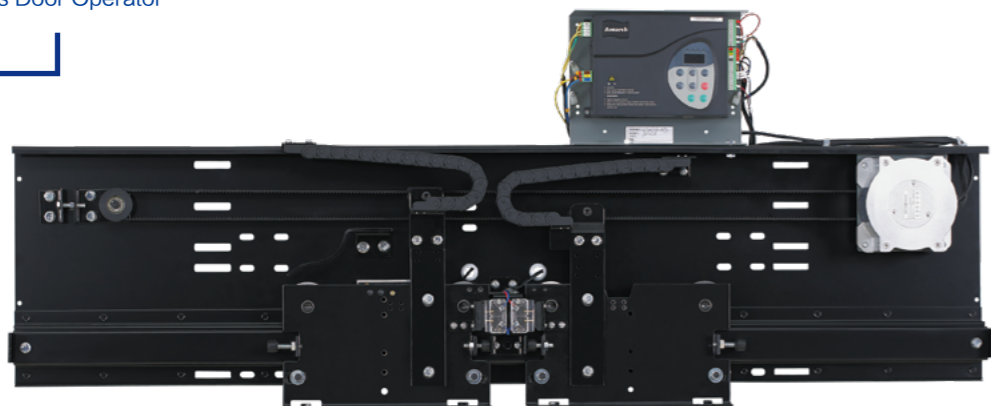
门楣 / 门套 / 地坎系列
Door Panel / Door L jamb / Sill

配件系列
Accessories

安全部件系列
Safety Device

中分交流永磁变频异步门机

2-Leafs Center Opening Permanent Magnet Asynchronous Door Operator



- 识别号: OMJ-11XA/12XA (轿顶式) OMJ-11XB/12XB (桥架直梁式) OMJ-11X/12X (前壁门楣式)
 OMJ-11X 系列电泳钢板 OMJ-12X 系列镀锌钢板
- 特征:
 ◎采用永磁同步电机, 额定转矩大, 高效节能环保
 ◎采用同步带直接传动, 无滑差, 无需润滑, 运行平稳噪音更低
 ◎采用集成轿门锁功能的异步门刀, 实现挂板上安装
 ◎采用全闭环控制技术, 性能可靠, 调试简便
- Serial NO: OMJ-11XA/12XA (Car Top Installation) OMJ-11XB/12XB (Straight Beam Installation) OMJ-11X/12X (On Car Front-Wall Installation)
 OMJ-11X (Cathaphoresis Material) OMJ-12X (Zinc-Plated Material)
- Feature:
 ◎ With permanent magnet motor, wide torque range, high efficiency, environmental protection, energy saving
 ◎ The synchronous belt drive directly, no slip, no lubrication, running smoothly in lower noise
 ◎ The asynchronous vane is equipped with door lock function, installation on door hanger
 ◎ Full-closed-loop control technology, safe, reliable and easy to adjust

门控制器配置 (选配) Inverter(Optional):



OLVF200-1

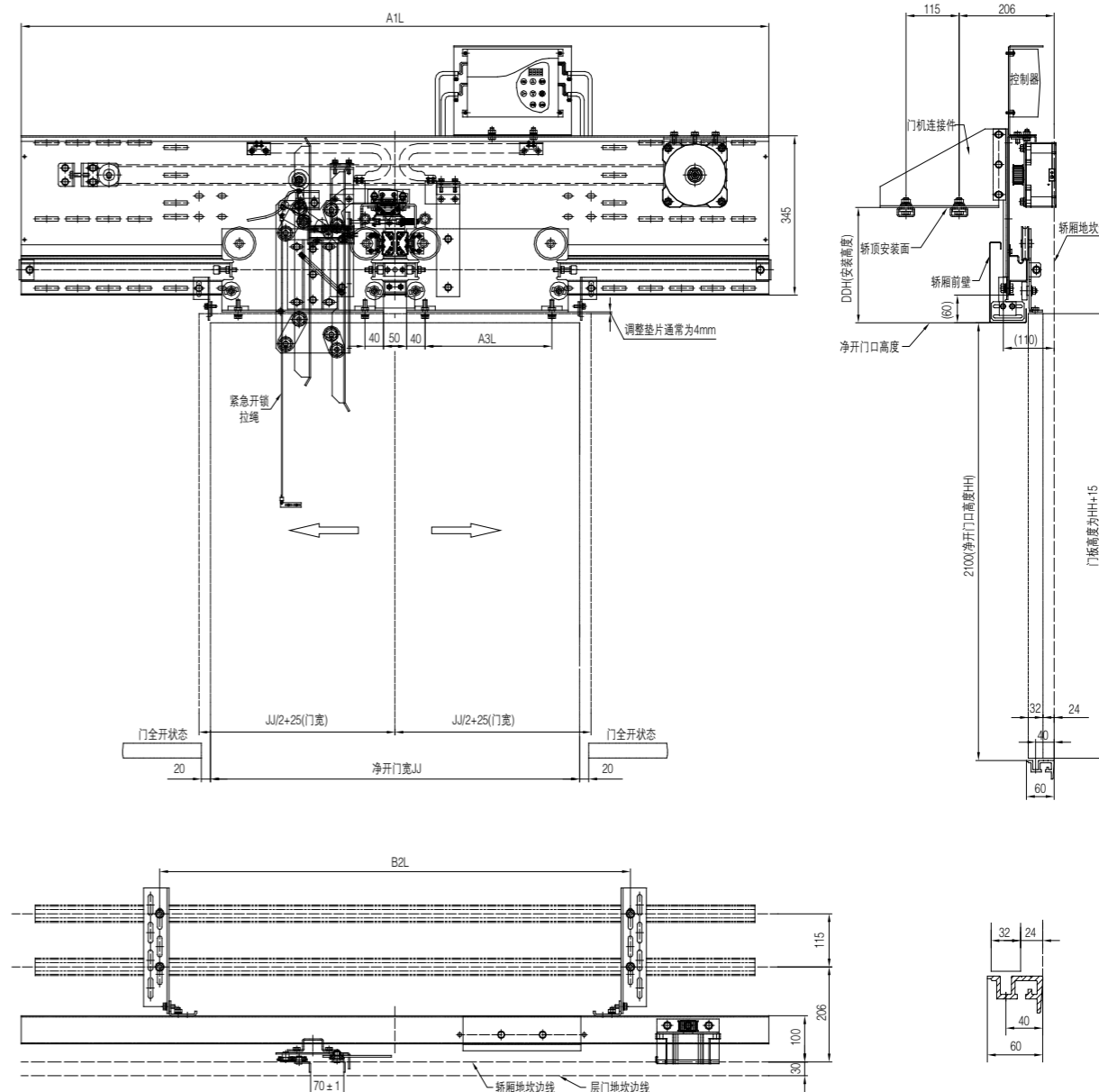
NICE-D-A-SOP4-OL2

AA03040D-OL

安装方式附件配置 Installation Attachment:

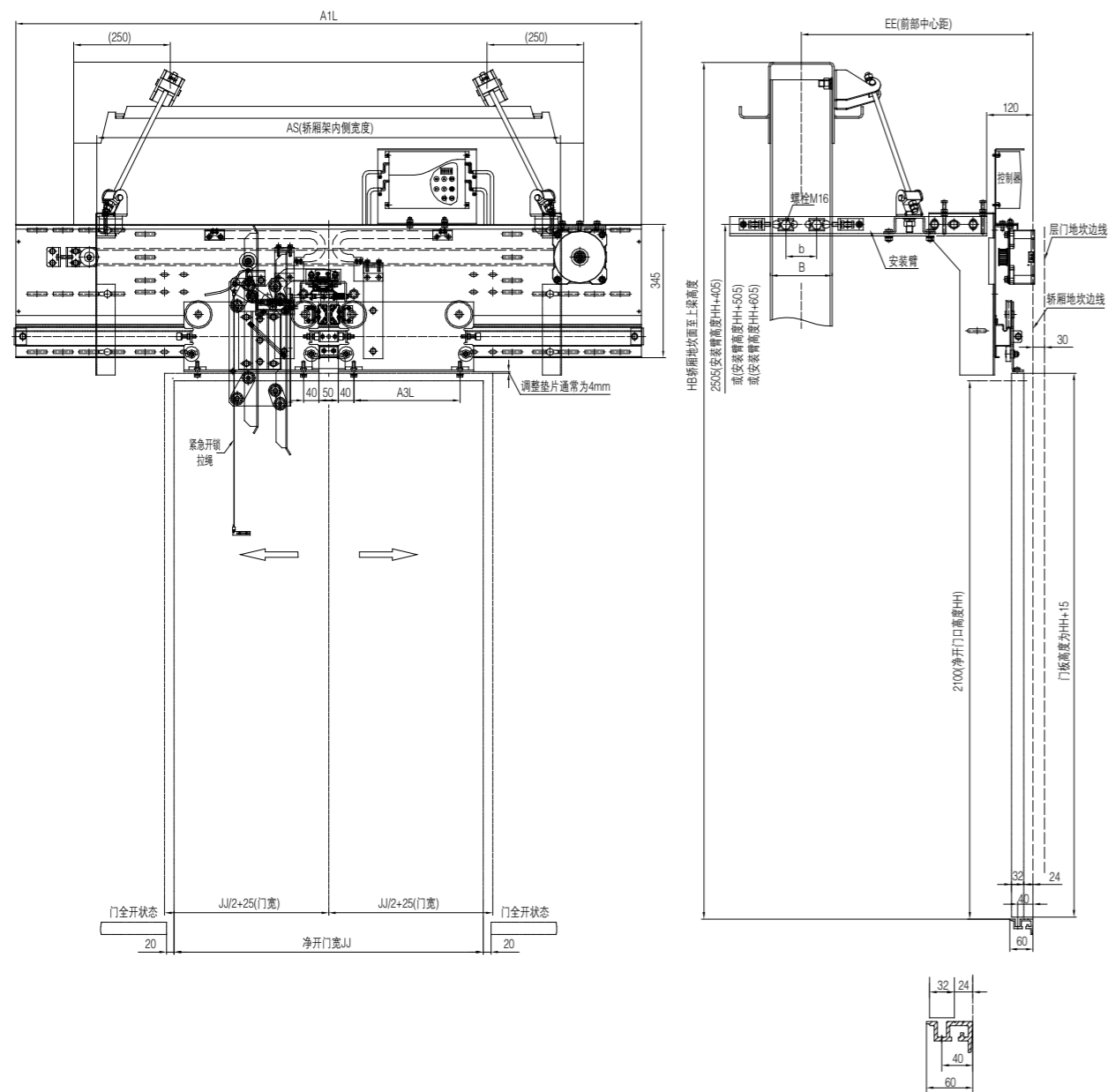
<p>1、前壁门楣安装 For Car Front-Wall Installation</p> <p>1.1 门楣安装支架 Car front-wall installation brackets Drawing NO: OMJ09X-1</p>	<p>2、轿顶安装 For Car Top Installation</p> <p>2.1 轿顶安装支架 Car top installation brackets Drawing NO: OMJ01-01/OMJ01-02</p> <p>2.2 加强安装支架 Strengthened installation bracket Drawing NO: OMJ11-1B</p> <p>2.3 轿顶安装 C 型管 (选配) Fixing pipe for car top installation(optional) Drawing NO: OMJ01-03</p>
<p>3、桥架直梁安装 For Straight Beam Installation</p> <p>3.1 安装臂组件 Installation arm module Drawing NO: OMJ01.23D</p> <p>3.2 直拉杆组件 / 长拉杆组件 Straight tie-rod module / long tie-rod module Drawing NO: OMJ01.25 / OMJ01.24</p> <p>3.3 大拉钩 / 小拉钩 Big pull hook / small pull hook Drawing NO: OMJ01.26 / OMJ01.32</p> <p>3.4 安装侧板组件 Side bracket for installation Drawing NO: OMJ09X.1.13</p>	

OMJ-11XA /12XA 中分交流永磁变频异步门机 (轿顶式) 2-Leafs Center Opening Permanent Magnet Asynchronous Door Operator (Car Top Installation)



净开门口宽 JJ	650	700	750	800	850	900	950	1000	1050	1100	1150	1200
A1L	1320	1420	1520	1620	1720	1820	1920	2020	2120	2220	2320	2420
A3L	200	225	250	275	300	325	350	375	400	425	450	475
B2L	870	920	970	1020	1070	1120	1170	1220	1270	1320	1370	1420

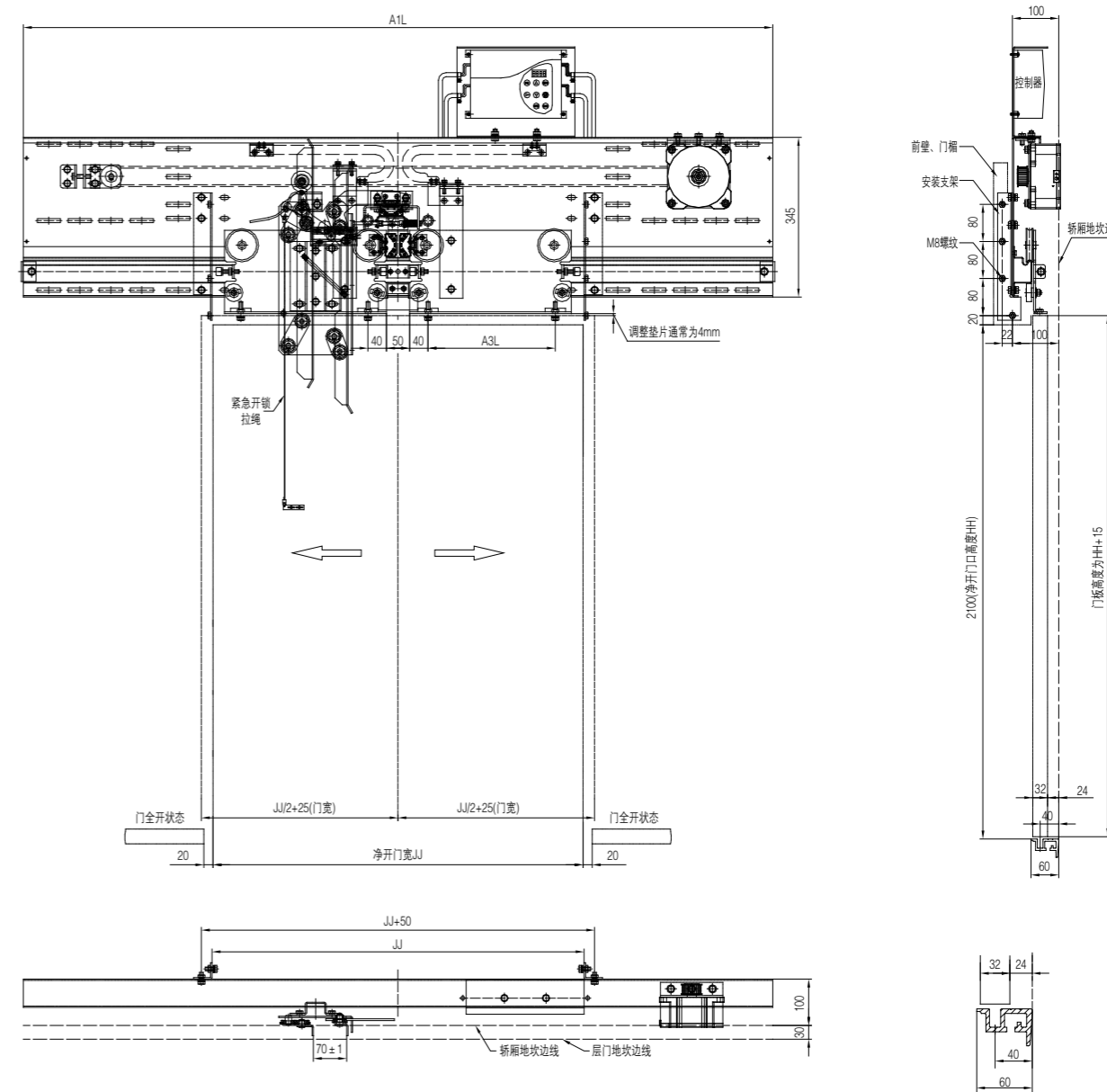
OMJ-11XB /12XB 中分交流永磁变频异步门机 (轿架直梁式)
 2-Leafs Center Opening Permanent Magnet Asynchronous Door Operator
 (Straight Beam Installation)



净开门宽 JJ	650	700	750	800	850	900	950	1000	1050	1100	1150	1200
A1L	1320	1420	1520	1620	1720	1820	1920	2020	2120	2220	2320	2420
A3L	200	225	250	275	300	325	350	375	400	425	450	475

HB、AS、EE、B、b、HH 根据客户指令确定 According to the customer's order

OMJ-11X / 12X 中分交流永磁变频异步门机 (前壁门楣式)
 2-Leafs Center Opening Permanent Magnet Asynchronous Door Operator
 (On Car Front-Wall Installation)



净开门宽 JJ	650	700	750	800	850	900	950	1000	1050	1100	1150	1200
A1L	1320	1420	1520	1620	1720	1820	1920	2020	2120	2220	2320	2420
A3L	200	225	250	275	300	325	350	375	400	425	450	475

中分门系列
2-Leafs Door System

旁开双折门系列
2-Leafs Door System

中分双折门系列
4-Leafs Door System

侧壁折门系列
Hornet Door System

中分高速折门系列
2-Leafs High-speed Door System

三折门系列
3-Leafs Door System

旁开单折门系列
SO Door System

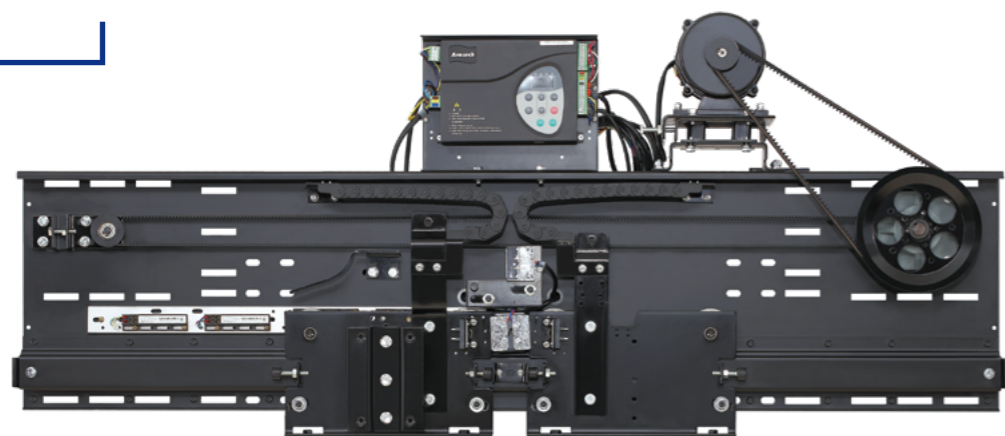
门楣 / 门套 / 地坎系列
Door Panel / Door Jamb / Sill

配件系列
Accessories

安全部件系列
Safety Device

中分三相变频异步门机

2-Leafs Center Opening VVVF Asynchronous Door Operator



- 识别号: OMJ-01XB (轿架直梁式) OMJ-01XA (轿顶式)
- 特征:
- 采用一级减速同步带传动, 无滑差, 无需润滑, 运行平稳噪音更低
 - 采用集成轿门锁功能的异步门刀, 实现门挂板上安装
 - 采用 VVVF 变频控制技术, 性能可靠, 调试简便
 - 采用 S 形压制导轨, 结构更紧凑

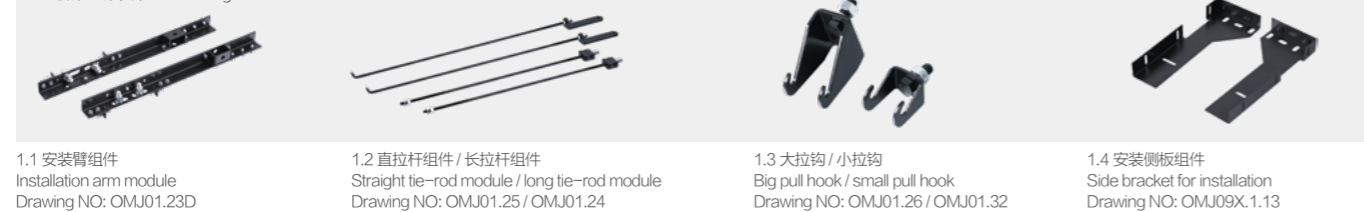
- Serial NO: OMJ-01XB (Straight Beam Installation) OMJ-01XA (Car Top Installation)
- Feature:
- The synchronous belt drive directly, no slip, no lubrication, running smoothly in lower noise
 - The asynchronous vane is equipped with door lock function, installation on door hanger
 - VVVF control system, safe, reliable and easy to adjust
 - Flat shape motor, S-shaped guide rail, more compact structure

门控制器配置 (选配) Inverter(Optional):



安装方式附件配置 Installation Attachment:

1、轿架直梁安装 For Straight Beam Installation

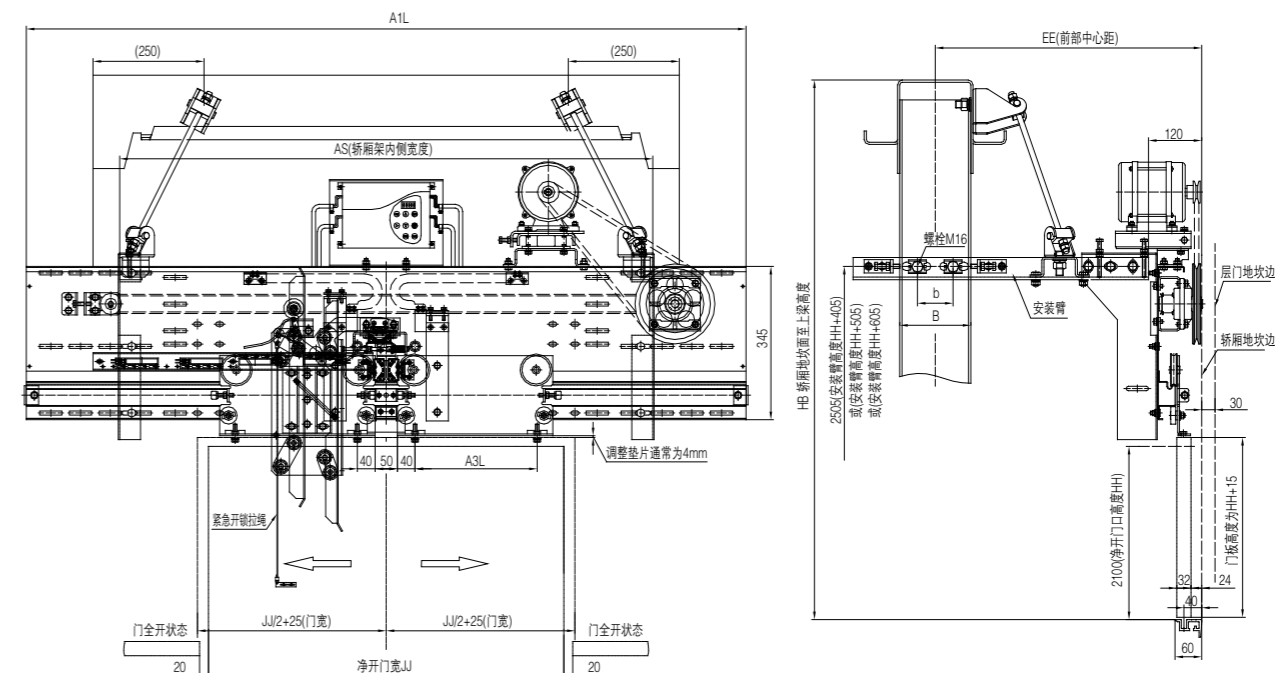


2、轿顶安装 For Car Top Installation



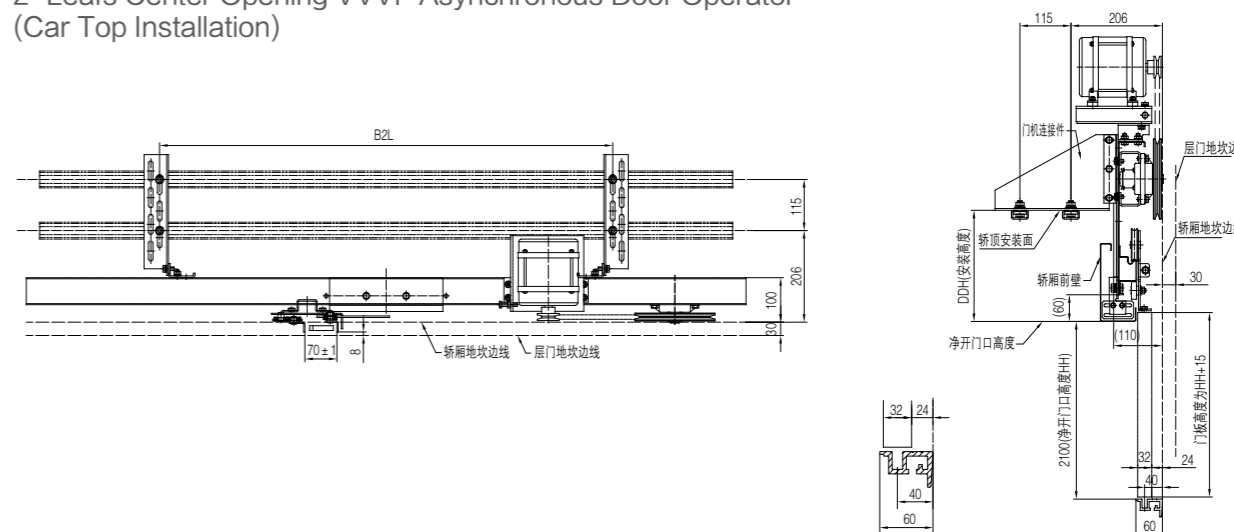
OMJ-01XB 中分三相变频异步门机 (轿架直梁式)

2-Leafs Center Opening VVVF Asynchronous Door Operator (Straight Beam Installation)



OMJ-01XA 中分三相变频异步门机 (轿顶式)

2-Leafs Center Opening VVVF Asynchronous Door Operator (Car Top Installation)



净开门宽 JJ	650	700	750	800	850	900	950	1000	1050	1100	1150	1200
A1L	1320	1420	1520	1620	1720	1820	1920	2020	2120	2220	2320	2420
A3L	200	225	250	275	300	325	350	375	400	425	450	475
B2L	870	920	970	1020	1070	1120	1170	1220	1270	1320	1370	1420

HB,HH,AS,EE,B,b 根据客户指令确定 According to the customer's order

中分门系列
2 CO Door System

旁开双折门系列
2 SO Door System

中分双折门系列
4 CO Door System

别墅折门系列
Home Lift Door System

中分高速折门系列
2 CO High-speed Door System

三折门系列
3-Leafs Door System

旁开单折门系列
SO Door System

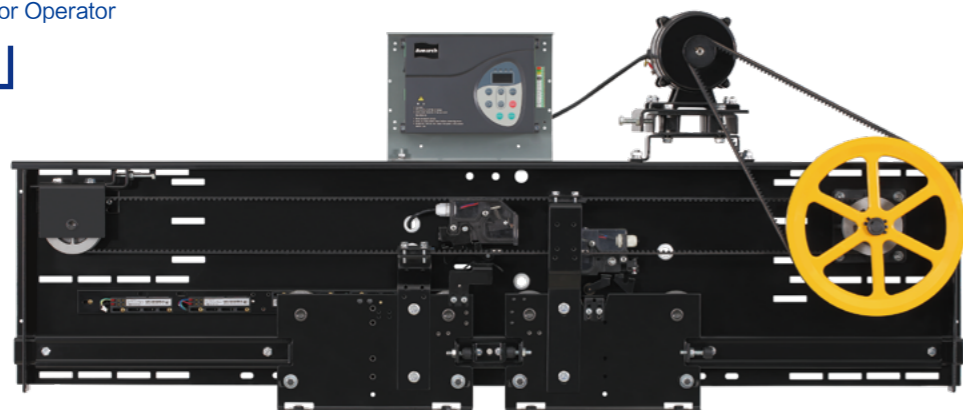
门扇/门套/地坎系列
Door Panel / Door Jamb / Sill

配件系列
Accessories

安全部件系列
Safety Device

中分三相变频异步门机

2-Leafs Center Opening VVVF Asynchronous Door Operator



识别号: OMJ-01 (轿架直梁式) OMJ-01D (轿顶式)

- 特征:
- 采用新型同步带传动, 无滑差, 无需润滑, 运行平稳噪音更低
 - 采用 VVVF 变频控制技术, 可选配开门限制装置, 安全可靠, 调试简便
 - 采用异步门刀, 可实现门板与挂板上安装, 具有机械锁紧力
 - 采用 S 形压制导轨, 结构更紧凑

Serial NO: OMJ-01 (Straight Beam Installation) OMJ-01D (Car Top Installation)

- Feature:
- The synchronous belt drive directly, no slip, no lubrication, running smoothly in lower noise
 - Asynchronous door vane used, installation on door panel or door hanger, with mechanical blocking force
 - VVVF control system, door opening limiter, safe, reliable, easy to adjust
 - Press rail in S-shaped, more compact structure

门控制器配置 (选配) Inverter(Optional):



NICE-D-A-SOP4-OL2

AA03040D-OL

AA03011DK

安装方式附件配置 Installation Attachment:

1、轿架直梁安装 For Straight Beam Installation



1.1 安装侧板组件
Side bracket for installation
Drawing NO: OMJ01.7

1.2 安装臂组件
Installation arm module
Drawing NO: OMJ01.23D

1.3 大拉钩 / 小拉钩
Big pull hook / small pull hook
Drawing NO: OMJ01.26 / OMJ01.32

1.4 直拉杆组件 / 长拉杆组件
Straight tie-rod module / long tie-rod module
Drawing NO: OMJ01.25 / OMJ01.24

2、轿顶安装 For Car Top Installation



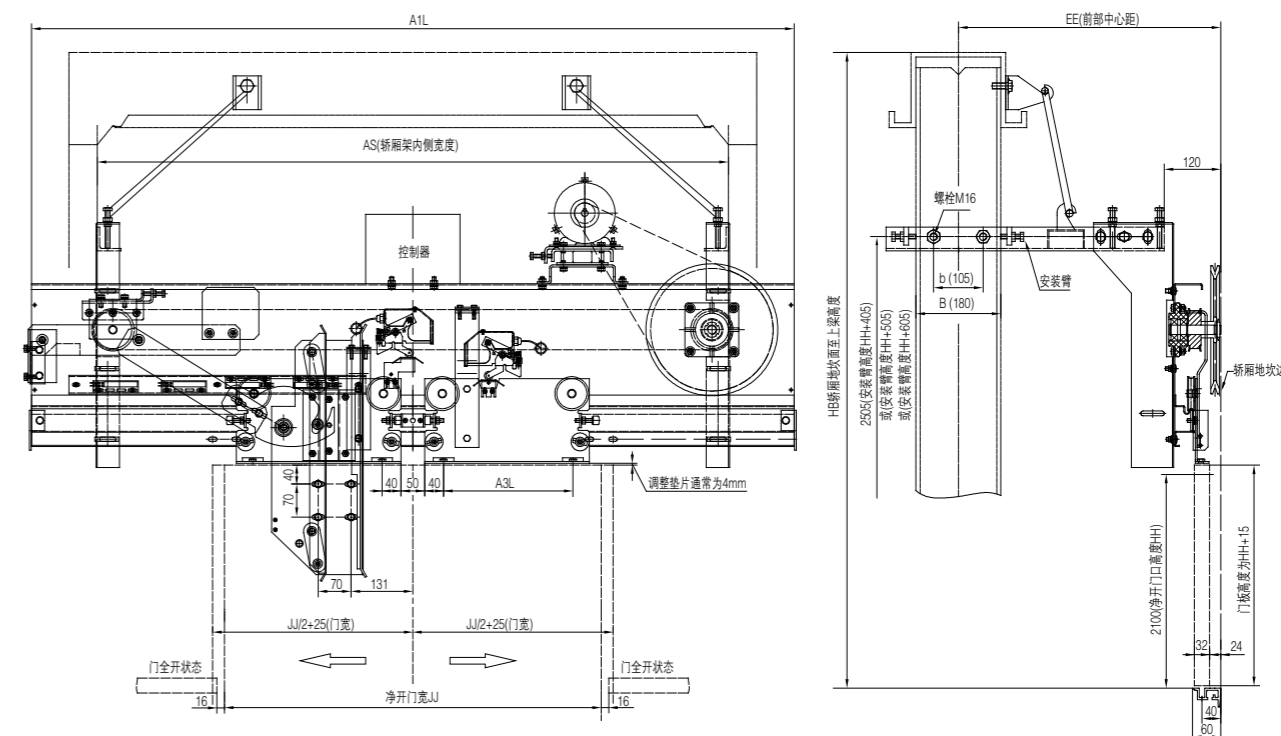
2.1 轿顶安装支架
Car top installation brackets
Drawing NO: OMJ01-01 / OMJ01-02

2.2 加强安装支架
Strengthened installation bracket
Drawing NO: OMJ11-1B

2.3 轿顶安装 C 型管 (选配)
Fixing pipe for car top installation(optional)
Drawing NO: OMJ01-03

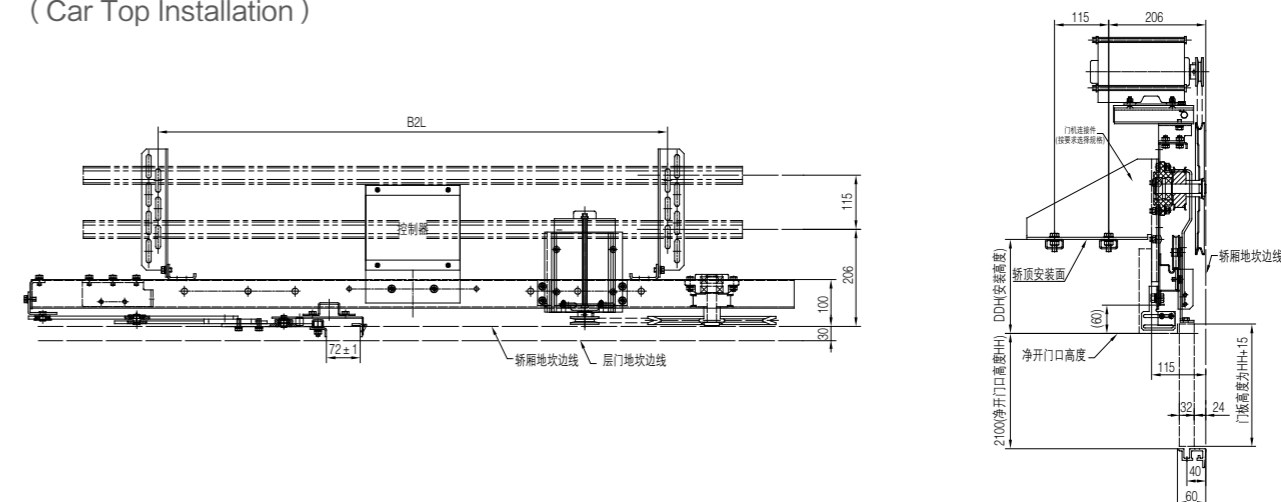
OMJ-01 中分三相变频异步门机 (轿架直梁式)

2-Leafs Center Opening VVVF Asynchronous Door Operator (Straight Beam Installation)



OMJ-01D 中分三相变频异步门机 (轿顶式)

2-Leafs Center Opening VVVF Asynchronous Door Operator (Car Top Installation)

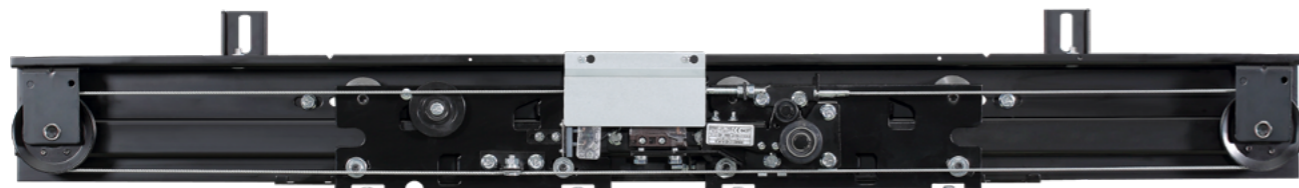


净开门 JJ	650	700	750	800	850	900	950	1000	1050	1100	1150	1200
A1L	1360	1460	1560	1660	1760	1860	1960	2060	2160	2260	2360	2460
A3L	200	225	250	275	300	325	350	375	400	425	450	475
B2L	830	930	930	1020	1020	1220	1220	1220	1420	1420	1520	1520

HB、HH、AS、EE、B、b 根据客户指令确定 According to the customer's order

中分式层门装置 (重锤式)

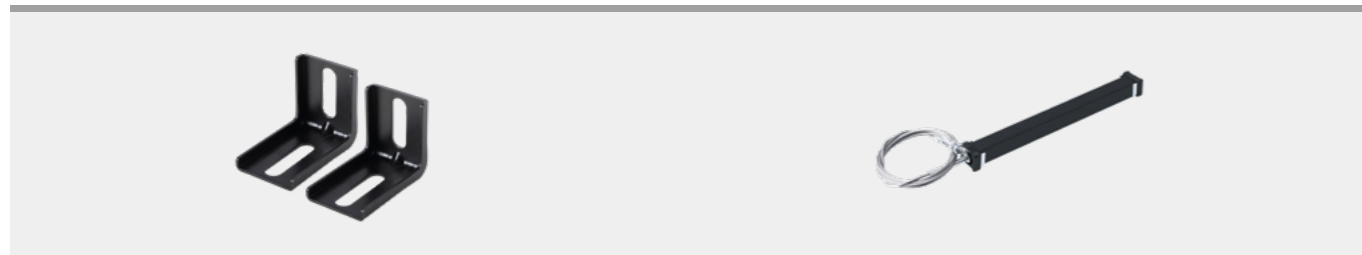
2-Leafs Center Opening Landing Door Device
(Common Weight Type)



- 识别号: OCM01-BA (门板开锁) OCM01-BM (门套开锁)
 特征:
 ●开锁方式为门板开锁或门套开锁, 通过 45Kg 摆锤冲击试验
 ●采用重锤强迫关门方式, 重锤与导向管置于层门门板内侧
 ●门锁通过国家电梯检测中心测试合格, 防护等级 IP2X
 ●门锁适用电压: ≤ AC230V、≤ DC110V

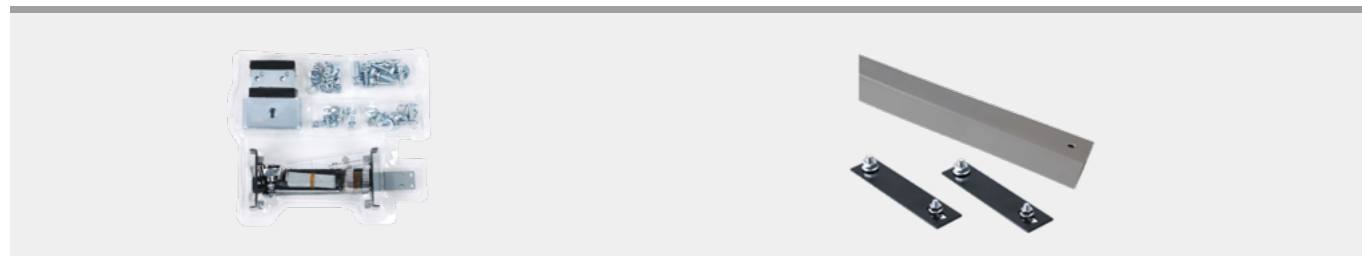
- Serial NO: OCM01-BA (Panel unlocking) OCM01-BM (Jamb unlocking)
 Feature:
 ● Unlocking hole on landing panel or door jamb, passed 45kg pendulum impact test
 ● Closing by weight type, weight and guiding pipe fixed at inner side of landing panel
 ● Door lock qualified by the NATIONAL ELEVATOR INSPECTION CENTER, Level of protection is IP2X
 ● Voltage for door lock: ≤ AC230V、≤ DC110V

主要附件图 / Accessories:



上坎安装架 Installation stand
Drawing NO: C1021001

重锤组件 Weight module
Drawing NO: C1021002

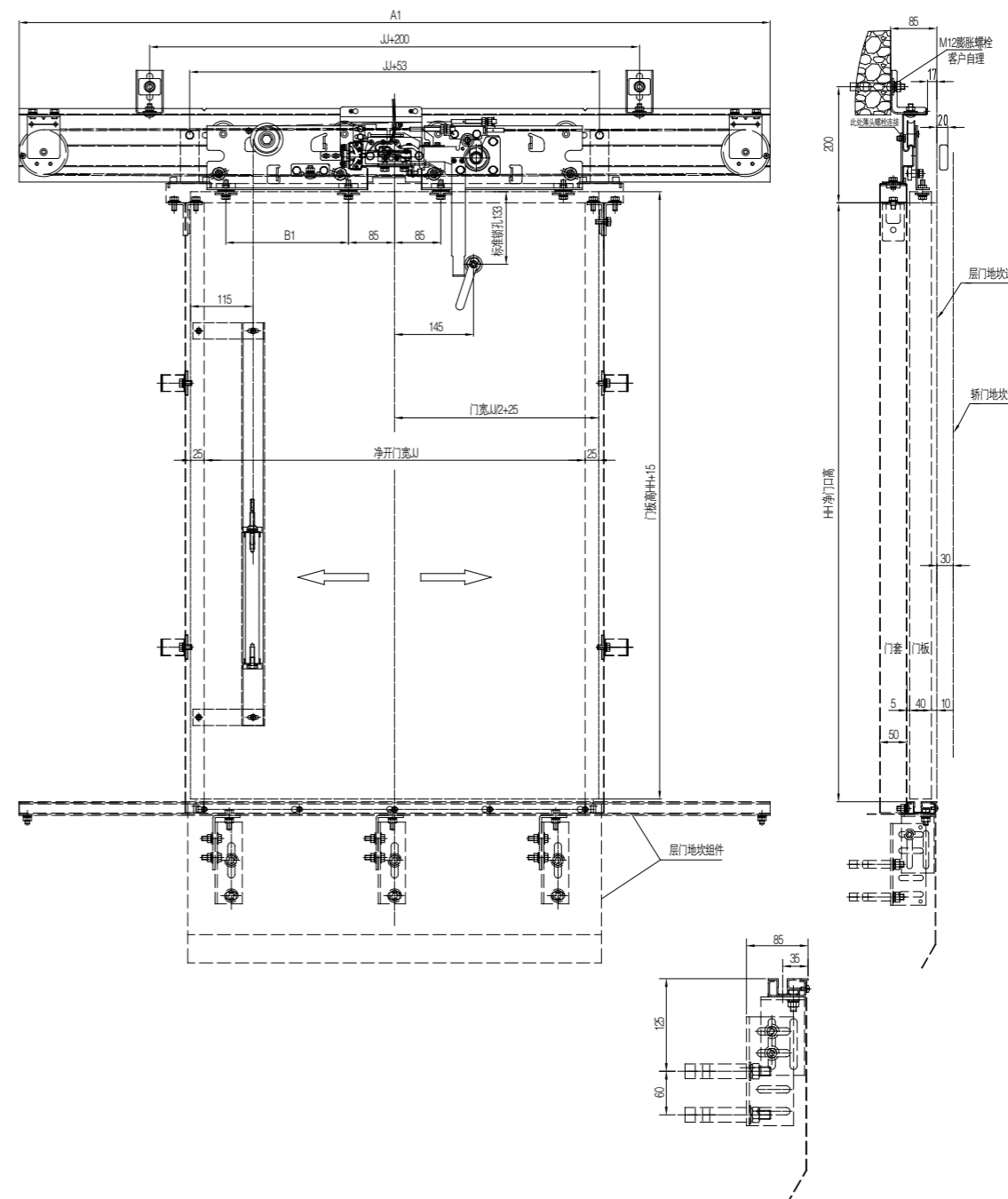


层门小封包组件 Fixings Drawing NO: C1022001
 门板开锁 Panel unlocking C1022001
 门套开锁 Jamb unlocking C1022033

导向管组件 Guiding pipe module
Drawing NO:A1025B700

OCM 中分式层门装置 (重锤式)

2-Leafs Center Opening Landing Door Device
(Common Weight Type)



净开门 JJ	600	650	700	750	800	850	900	950	1000	1050	1100	1150	1200
A1	1180	1280	1380	1480	1580	1680	1780	1880	1980	2080	2180	2280	2380
B1	175	200	225	250	275	300	325	350	375	400	425	450	475

中分式层门装置 (重锤旁置式)

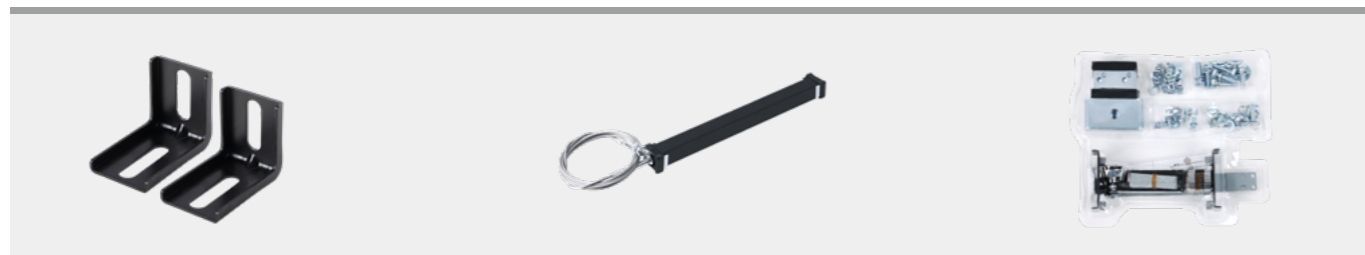
2-Leafs Center Opening Landing Door Device
(Common Weight Side-placed Type)



- 识别号: OCM01-BB (门板开锁) OCM01-BT (门套开锁)
- 特征:
- 开锁方式为门板开锁或门套开锁, 通过 45Kg 摆锤冲击试验
 - 采用重锤强迫关门方式, 重锤与导向管置于层门装置一侧
 - 可配有有框玻璃门板
 - 门锁通过国家电梯检测中心测试合格, 防护等级 IP2X
 - 门锁适用电压: \leq AC230V、 \leq DC110V

- Serial NO: OCM01-BB (Panel unlocking) OCM01-BT (Jamb unlocking)
- Feature:
- Unlocking hole on landing panel or door jamb, passed 45kg pendulum impact test
 - Closing by weight type, weight and guiding pipe fixed at inner side of landing panel
 - Suitable for glass door panels
 - Door lock qualified by the NATIONAL ELEVATOR INSPECTION CENTER, Level of protection is IP2X
 - Voltage for door lock: \leq AC230V、 \leq DC110V

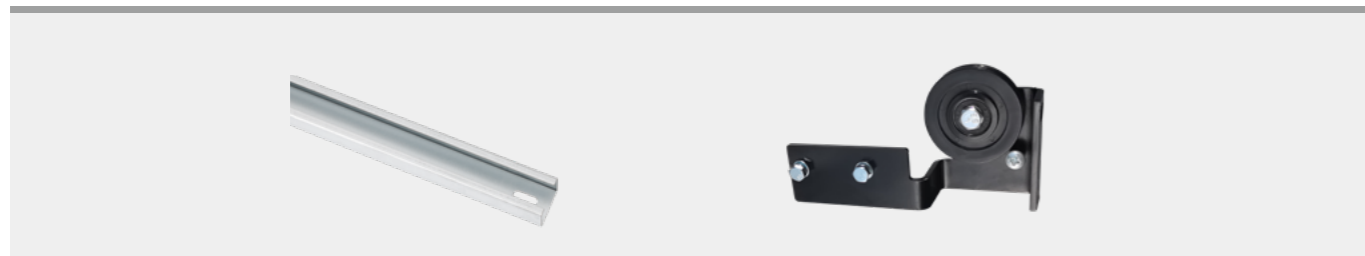
主要附件图 / Accessories:



上坎安装架 Installation stand
Drawing NO: C1021001

重锤组件 Weight module
Drawing NO: C1021011

层门小封包组件 Fixings
门板开锁 Panel unlocking C1022001
门套开锁 Jamb unlocking C1022033

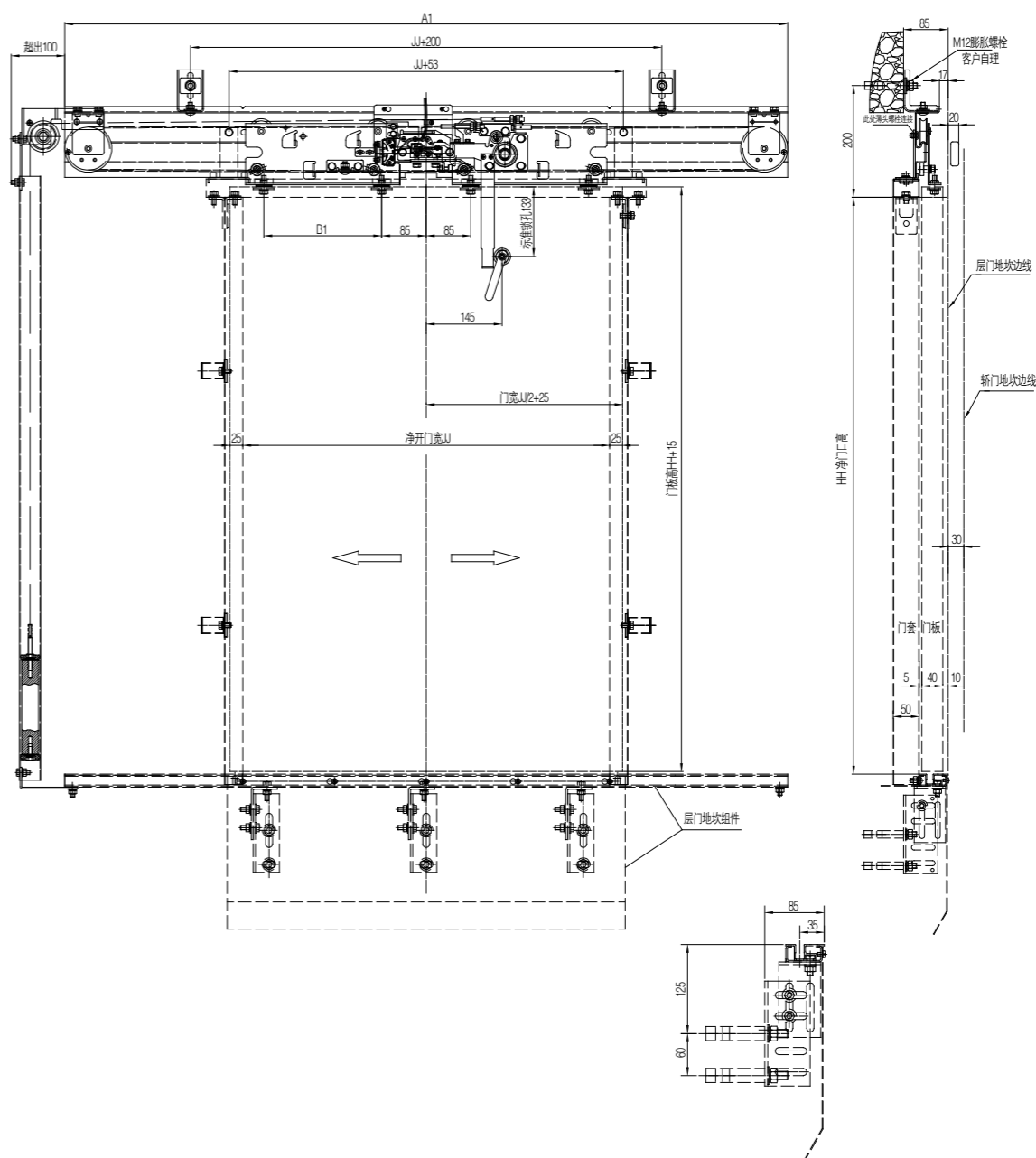


导向管组件 Guiding pipe module
Drawing NO: C1021017

重锤绳轮组件 Weight pulley module
Drawing NO: C1020046

OCM 中分式层门装置 (重锤旁置式)

2-Leafs Center Opening Landing Door Device
(Common Weight Side-placed Type)



净开门 JJ	600	650	700	750	800	850	900	950	1000	1050	1100	1150	1200
A1	1180	1280	1380	1480	1580	1680	1780	1880	1980	2080	2180	2280	2380
B1	175	200	225	250	275	300	325	350	375	400	425	450	475

中分门系列
2 CO Door System

旁开双折门系列
2 SO Door System

中分双折门系列
4 CO Door System

别墅门系列
Home Lift Door System

中分高速门系列
2 CO High-speed Door System

三折门系列
3-Leafs Door System

旁开单折门系列
SO Door System

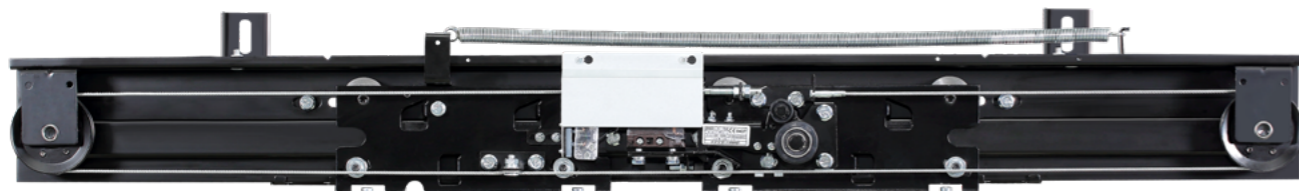
门扇 / 门套 / 地坎系列
Door Panel / Door Jamb / Sill

配件系列
Accessories

安全部件系列
Safety Device

中分式层门装置 (拉簧式)

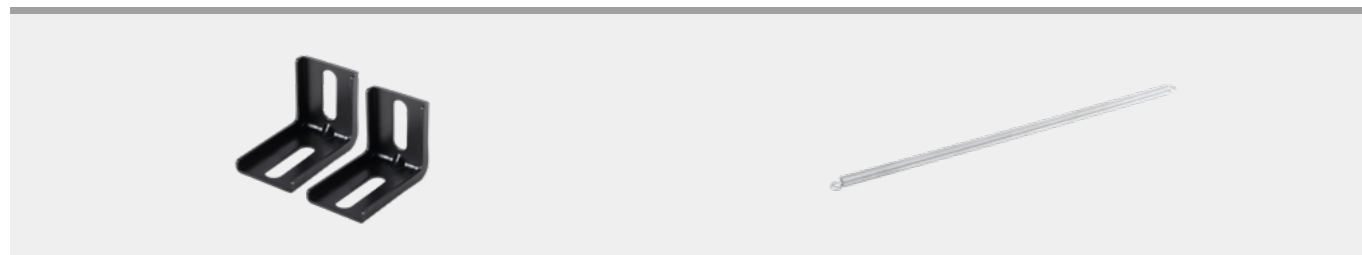
2-Leafs Center Opening Landing Door Device
(Common Spring Type)



- 识别号: OCM01-CD (门板开锁) OCM01-CM (门套开锁)
- 特征:
- ◎开锁方式为门板开锁或门套开锁, 通过 45Kg 摆锤冲击试验
 - ◎采用拉簧强迫关门方式, 关门拉簧置于层门装置上端面, 挡尘板保护
 - ◎可配有框玻璃门板
 - ◎门锁通过国家电梯检测中心测试合格, 防护等级 IP2X
 - ◎门锁适用电压: $\leq AC230V$ 、 $\leq DC110V$

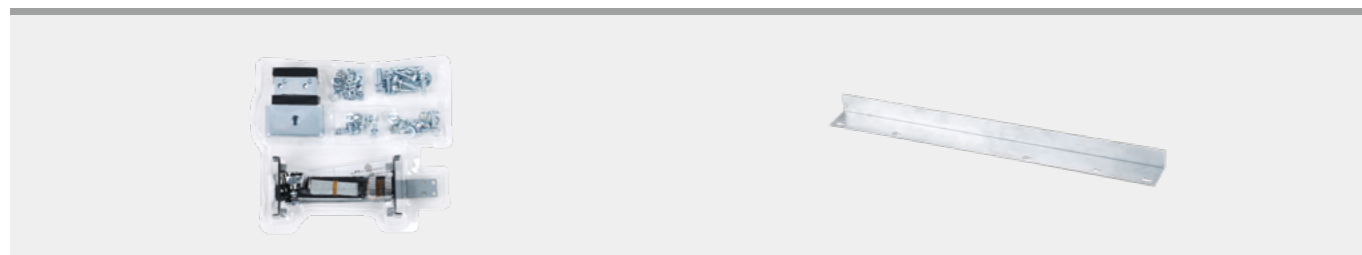
- Serial NO: OCM01-CD (Panel unlocking) OCM01-CM (Jamb unlocking)
- Feature:
- ◎ Unlocking hole on landing panel or door jamb, passed 45kg pendulum impact test
 - ◎ Closing by spring type, spring assembled on inner top of landing door device, protected by dust shield
 - ◎ Suitable for glass door panels
 - ◎ Door lock qualified by the NATIONAL ELEVATOR INSPECTION CENTER, Level of protection is IP2X
 - ◎ Voltage for door lock: $\leq AC230V$ 、 $\leq DC110V$

主要附件图 / Accessories:



上坎安装架 Installation stand
Drawing NO: C1021001

自闭拉簧 Self-closing tension spring
Drawing NO: C1021040

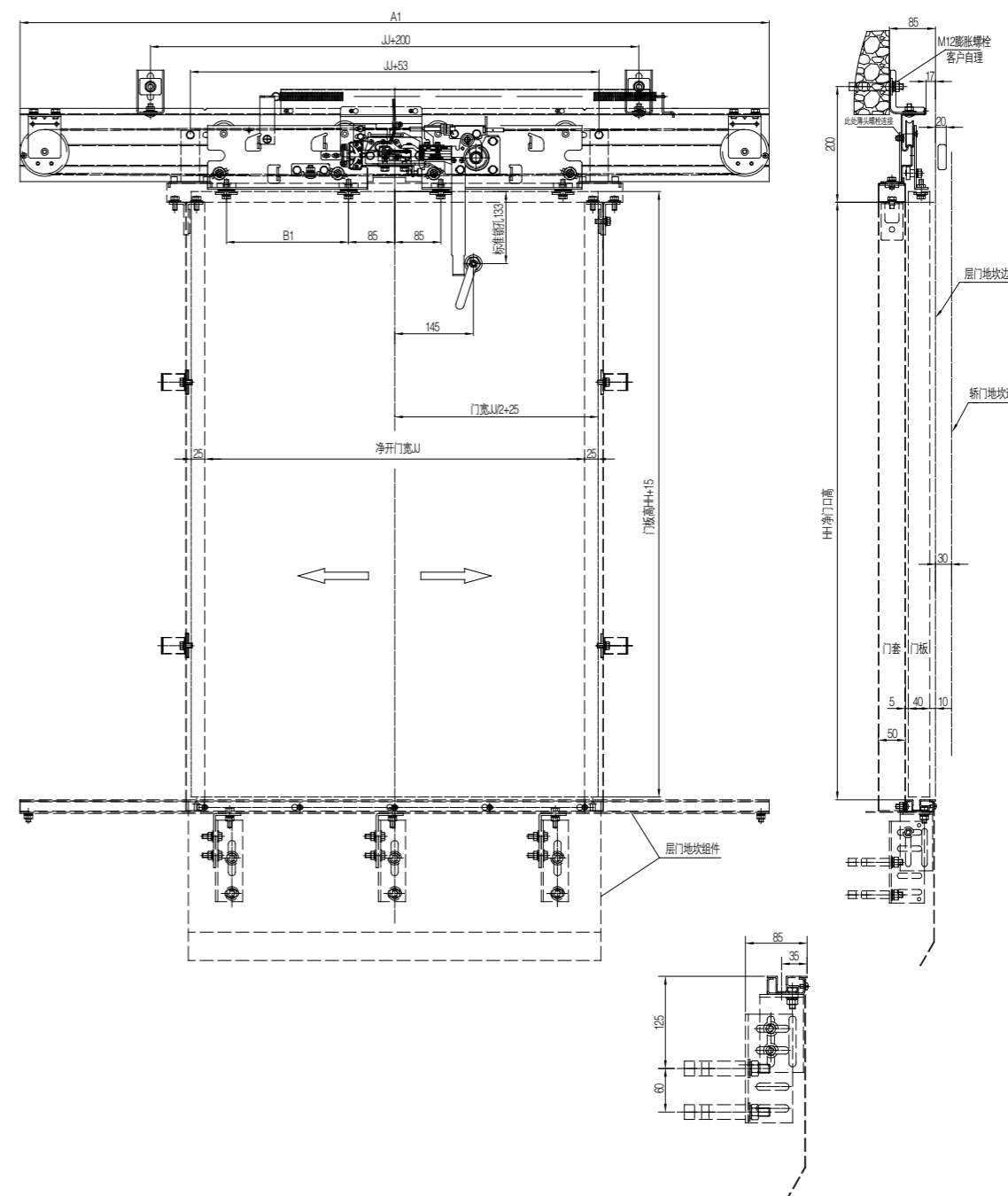


层门小封包组件 Fixings Drawing NO:
门板开锁 Panel unlocking C1022001
门套开锁 Jamb unlocking C1022033

拉簧挡尘板 Tension spring dust board
Drawing NO: C1020050

OCM 中分式层门装置 (拉簧式)

2-Leafs Center Opening Landing Door Device
(Common Spring Type)



净开门 JJ	600	650	700	750	800	850	900	950	1000	1050	1100	1150	1200
A1	1180	1280	1380	1480	1580	1680	1780	1880	1980	2080	2180	2280	2380
B1	175	200	225	250	275	300	325	350	375	400	425	450	475

中分门系列
2 CO Door System

旁开双折门系列
2 SO Door System

中分双折门系列
4 CO Door System

别墅门系列
Home Lift Door System

中分高速门系列
2 CO High-speed Door System

三折门系列
3-Leafs Door System

旁开单折门系列
SO Door System

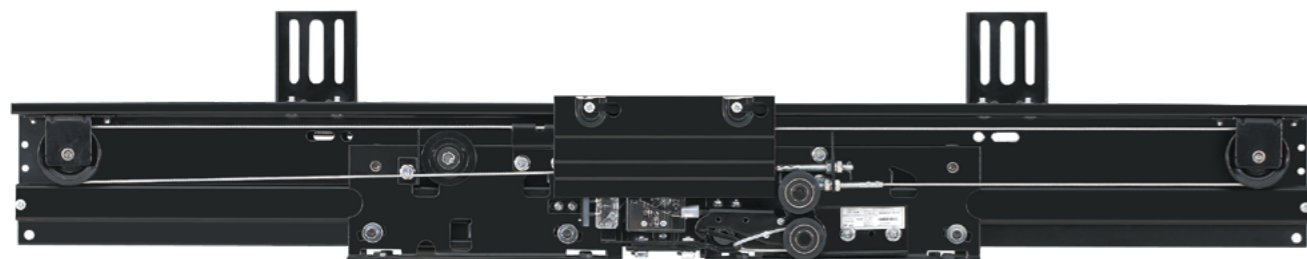
门扇 / 门套 / 地坎系列
Door Panel / Door Jamb / Sill

配件系列
Accessories

安全部件系列
Safety Device

中分式层门装置 (重锤式)

2-Leafs Center Opening Landing Door Device
(Common Weight Type)



识别号: OCM01-B

- 特征:
- 开锁方式为门板上开锁, 通过 45Kg 摆锤冲击试验
 - 采用重锤强迫关门方式, 重锤与导向管置于层门门板内侧
 - 门锁通过国家电梯检测中心测试合格, 取得 CE、CU-TR 认证
 - 门锁适用电压: \leq AC230V、 \leq DC110V

Serial NO: OCM01-B

- Feature:
- Unlocking hole on landing panel, passed 45kg pendulum impact test
 - Closing by weight type, weight and guiding pipe fixed at inner side of landing panel
 - Door lock qualified by the NATIONAL ELEVATOR INSPECTION CENTER, with CE、CU-TR certificate
 - Voltage for door lock: \leq AC230V, \leq DC110V

主要附件图 / Accessories:



上坎安装座 Installation stand
Drawing NO: A1066E100.7

重锤组件 Weight module
Drawing NO: D252000

层门小封包 Fixings
Drawing NO: A1066E100.20BX

导向管组件 Guiding pipe module
Drawing NO: A1025B700



触点开关 Contact switch
Drawing NO: A1035A600

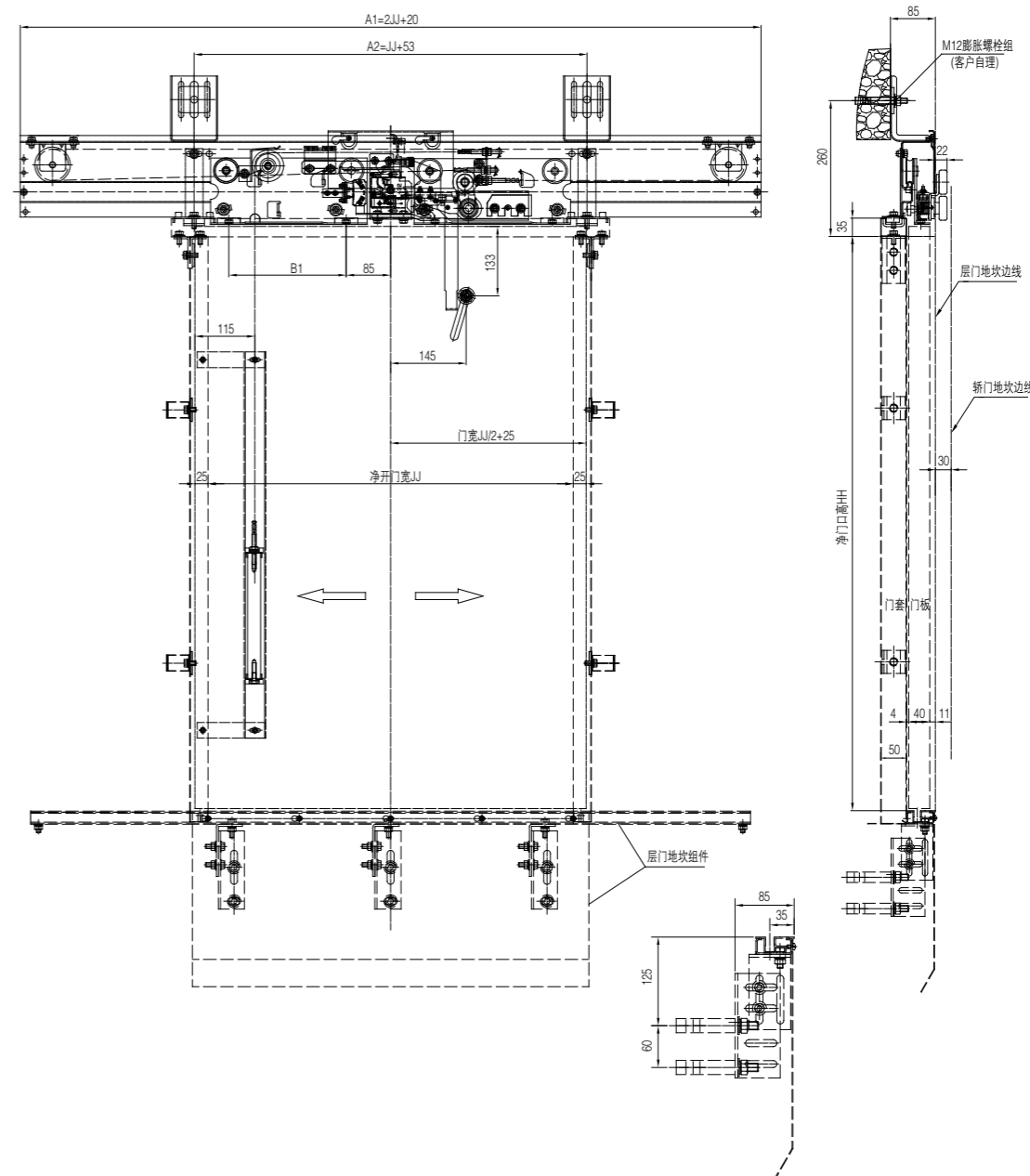
(中分) 轿门锁撞弓 (选配)
Hitting bow for door lock(optional)
Drawing NO: OPJ314B

联锁装置 / 互锁钩 (选配)
Interlock / lock hook(optional)
Drawing NO: OCM01B4.1.4
OCM01B4.1.5

远程开锁拉绳装置 / 救命绳装置 (选配)
Remote pull rope device for unlocking(optional)
Drawing NO: A1026110Y

OCM01-B 中分式层门装置 (重锤式)

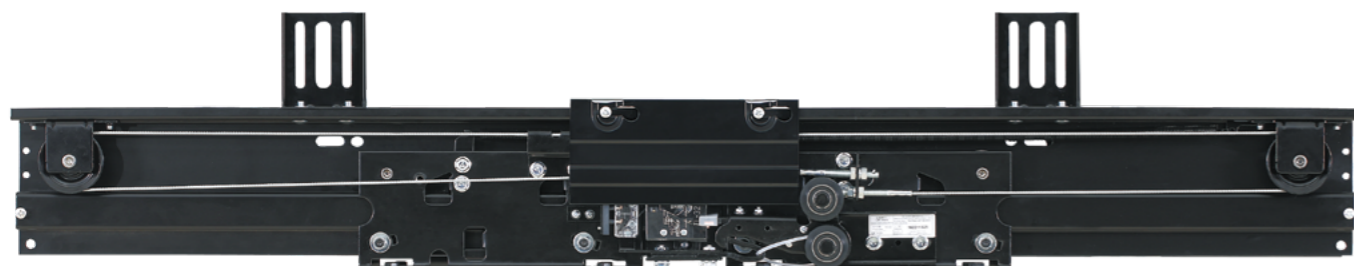
2-Leafs Center Opening Landing Door Device
(Common Weight Type)



净开门口 JJ	600	650	700	750	800	850	900	950	1000	1050	1100	1150	1200
A1	1220	1320	1420	1520	1620	1720	1820	1920	2020	2120	2220	2320	2420
B1	175	200	225	250	275	300	325	350	375	400	425	450	475

中分式层门装置 (拉簧式)

2-Leafs Center Opening Landing Door Device
(Common Spring Type)



- 识别号: OCM01-C
- 特征:
- 开锁方式为门板上开锁, 通过 45Kg 摆锤冲击试验
 - 采用拉簧强迫关门方式, 拉簧置于层门装置内上侧
 - 可配有有框玻璃门板
 - 门锁通过国家电梯检测中心测试合格, 取得 CE、CU-TR 认证
 - 门锁适用电压: ≤ AC230V、≤ DC110V

- Serial NO: OCM01-C
- Feature:
- Unlocking hole on landing panel, passed 45kg pendulum impact test
 - Closing by spring type, spring assembled on inner top of landing device
 - Suitable for glass door panels
 - Door lock qualified by the NATIONAL ELEVATOR INSPECTION CENTER, with CE、CU-TR certificate
 - Voltage for door lock: ≤ AC230V、≤ DC110V

主要附件图 / Accessories:



上坎安装座 Installation stand
Drawing NO: A1066E100.7

拉簧组件 Spring module
Drawing NO: A1066E100CL

层门小封包 Fixings
Drawing NO: A1066E100.20BX

触点开关 Contact switch
Drawing NO: A1035A600



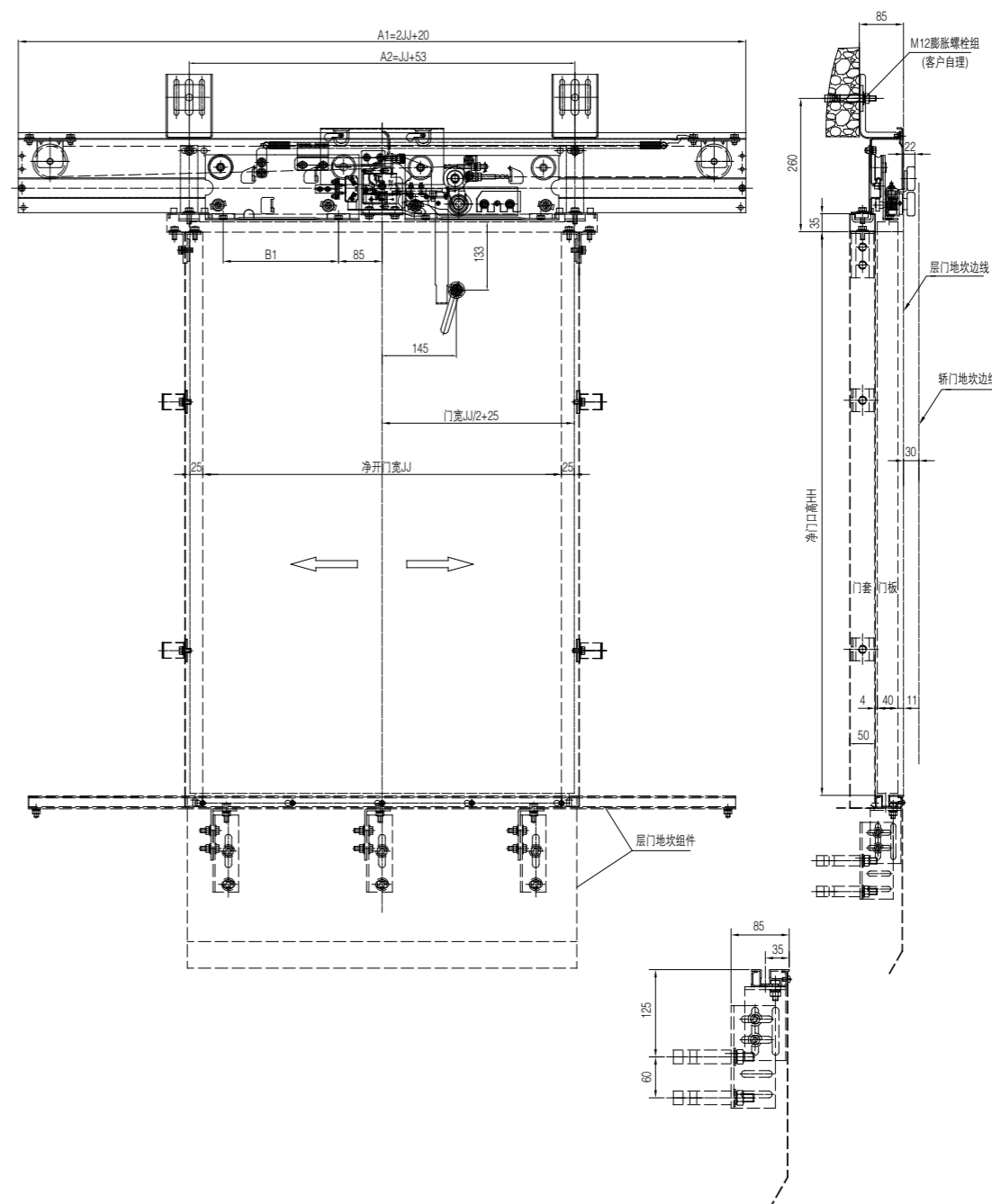
5.(中分) 轿门锁撞弓 (选配)
Hitting bow for door lock(optional)
Drawing NO: OPJ314B

联锁装置 / 互锁钩 (选配)
Interlock / lock hook(optional)
Drawing NO: OCM01B4.1.4 / OCM01B4.1.5

远程开锁拉绳装置 / 救命绳装置 (选配)
Remote pull rope device for unlocking(optional)
Drawing NO: A1026110Y

OCM-01C 中分式层门装置 (拉簧式)

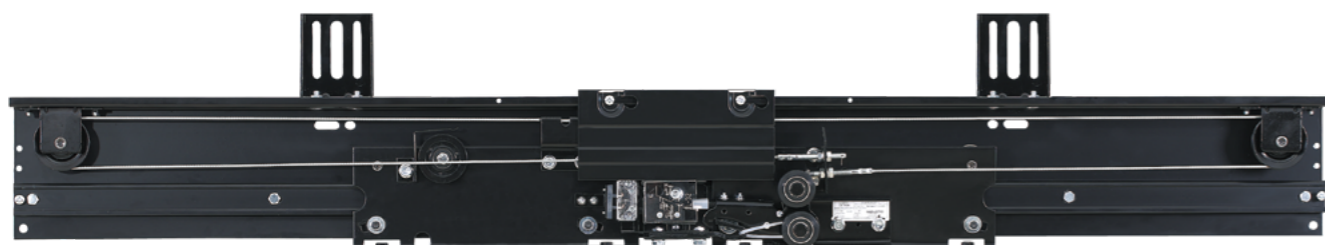
2-Leafs Center Opening Landing Door Device
(Common Spring Type)



净开门 JJ	600	650	700	750	800	850	900	950	1000	1050	1100	1150	1200
A1	1220	1320	1420	1520	1620	1720	1820	1920	2020	2120	2220	2320	2420
B1	175	200	225	250	275	300	325	350	375	400	425	450	475

中分式层门装置 (重锤式)

2-Leafs Center Opening Landing Door Device
(Common Weight Type)



- 识别号: OCM01-D (型材导轨)
- 特征:
- 开锁方式为门板上开锁, 通过 45Kg 摆锤冲击试验
 - 采用重锤强迫关门方式, 重锤与导向管置于层门门板内侧
 - 采用型材导轨结构
 - 门锁通过国家电梯检测中心测试合格, 取得 CE、CU-TR 认证
 - 门锁适用电压: $\leq AC230V$ 、 $\leq DC110V$

Serial NO: OCM01-D (With Separate Rail)

- Feature:
- Unlocking hole on landing panel, passed 45kg pendulum impact test
 - Closing by weight type, weight and guiding pipe fixed at inner side of landing panel
 - With separate rail
 - Door lock qualified by the NATIONAL ELEVATOR INSPECTION CENTER, with CE、CU-TR certificate
 - Voltage for door lock: $\leq AC230V$ 、 $\leq DC110V$

主要附件图 / Accessories:



上坎安装座 Installation stand
Drawing NO: A1066E100.7

重锤组件 Weight module
Drawing NO: D252000

层门小封包 Fixings
Drawing NO: A1066E100.20BX

导向管组件 Guiding pipe module
Drawing NO: A1025B700



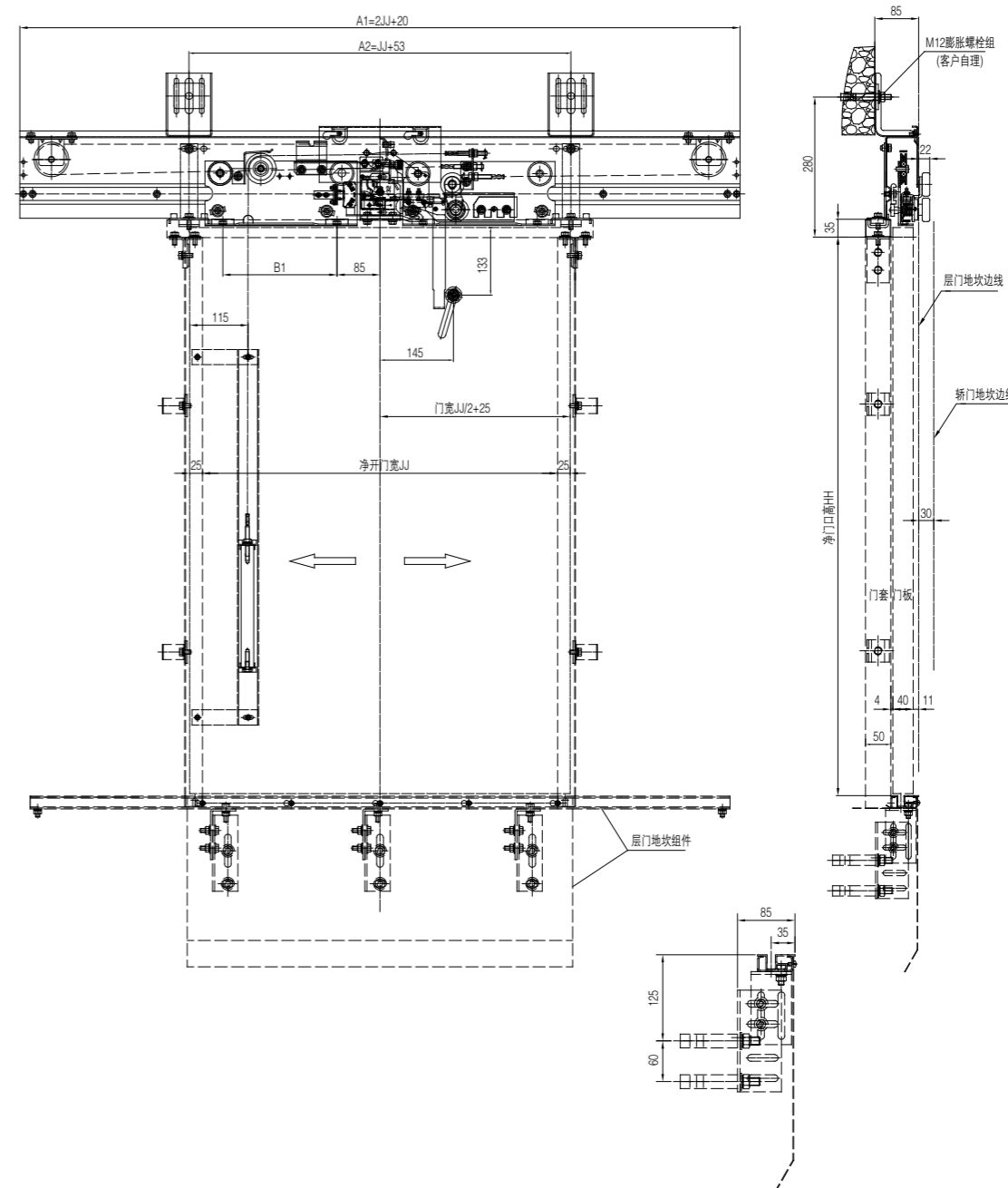
触点开关 Contact switch
Drawing NO: A1035A600

(中分) 轿门锁撞弓 (选配)
Hitting bow for door lock(optional)
Drawing NO: OPJ314B

联锁装置 / 互锁钩 (选配)
Interlock/lock hook(optional)
Drawing NO: OCM01B4.1.4 / OCM01B4.1.5

OCM01-D 中分式层门装置 (重锤式)

2-Leafs Center Opening Landing Door Device
(Common Weight Type)



净开门口 JJ	600	650	700	750	800	850	900	950	1000	1050	1100	1150	1200
A1	1220	1320	1420	1520	1620	1720	1820	1920	2020	2120	2220	2320	2420
B1	175	200	225	250	275	300	325	350	375	400	425	450	475

中分式层门装置 (重锤式)

2-Leafs Center Opening Landing Door Device
(Common Weight Type)



- 识别号: OCM01-BW (重锤旁置型)
- 特征:
- 开锁方式为门板上开锁, 通过 45Kg 摆锤冲击试验
 - 采用重锤强迫关门方式, 重锤与导向管置于层门装置一侧
 - 可配有有框玻璃门板
 - 门锁通过国家电梯检测中心测试合格, 取得 CE、CU-TR 认证
 - 门锁适用电压: $\leq AC230V$ 、 $\leq DC110V$

Serial NO: OCM01-BW (Side Weight Type)

- Feature:
- Unlocking hole on landing panel, passed 45kg pendulum impact test
 - Closing by weight type, weight and guiding pipe fixed at one side of landing device
 - Suitable for glass door panels
 - Door lock qualified by the NATIONAL ELEVATOR INSPECTION CENTER, with CE、CU-TR certificate
 - Voltage for door lock: $\leq AC230V$ 、 $\leq DC110V$

主要附件图 / Accessories:



上坎安装座 Installation stand
Drawing NO: A1066E100.7

重锤组件 Weight module
Drawing NO: D252000BW

层门小封包 Fixings
Drawing NO: A1066E100.20BX

导向管组件 Guiding pipe module
Drawing NO: A1025B700BW



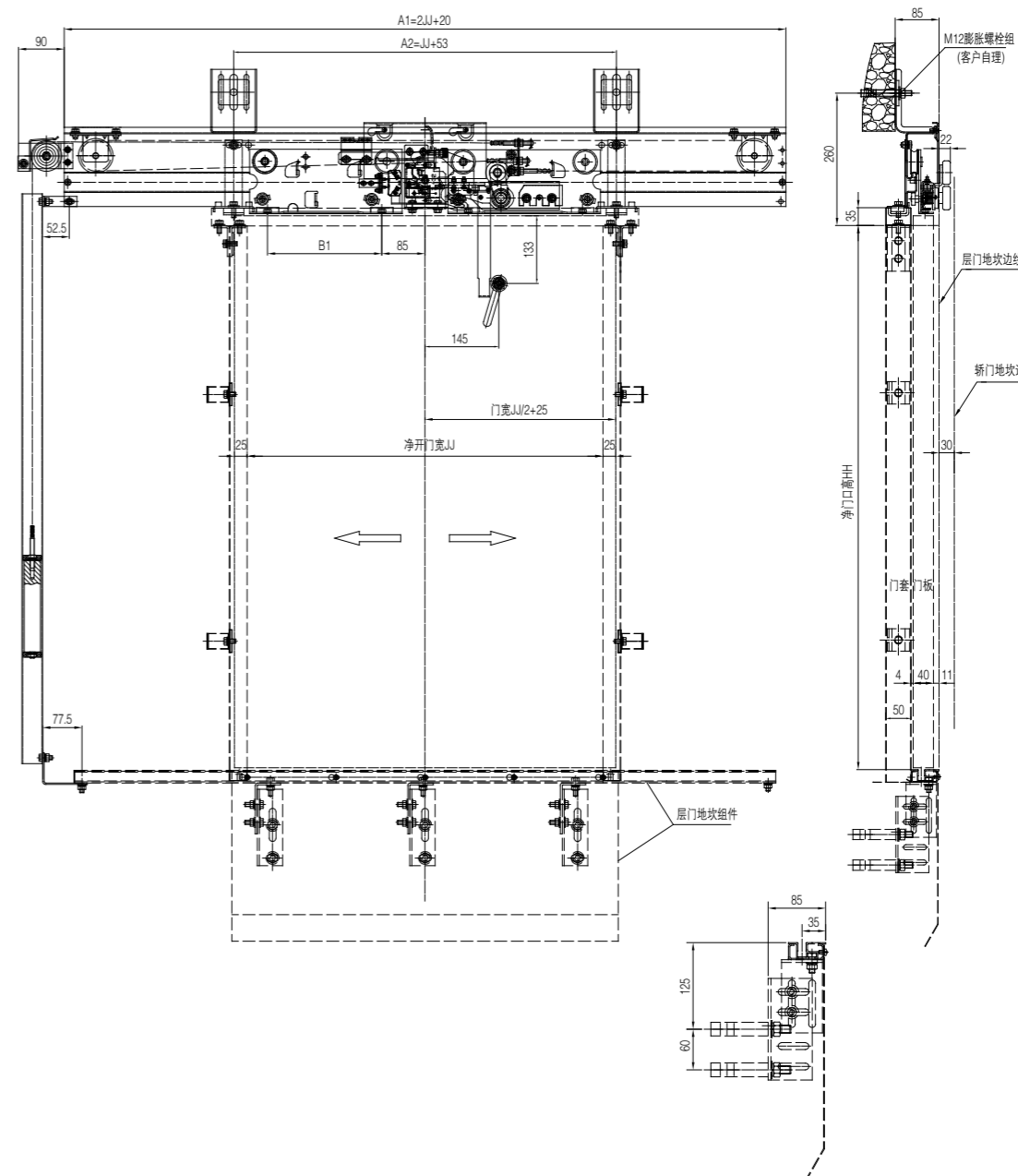
触点开关 Contact switch
Drawing NO: A1035A600

(中分) 轿门锁撞弓 (选配)
Hitting bow for door lock(optional)
Drawing NO: OPJ314B

联锁装置 / 互锁钩 (选配)
Interlock / lock hook(optional)
Drawing NO: OCM01B4.1.4 / OCM01B4.1.5

OCM01-BW 中分式层门装置 (重锤式)

2-Leafs Center Opening Landing Door Device
(Common Weight Type)



净开宽度 JJ	600	650	700	750	800	850	900	950	1000	1050	1100	1150	1200
A1	1220	1320	1420	1520	1620	1720	1820	1920	2020	2120	2220	2320	2420
B1	175	200	225	250	275	300	325	350	375	400	425	450	475

中分门系列
2 CO Door System

旁开双折门系列
2 SO Door System

中分双折门系列
4 CO Door System

别墅门系列
HomeLit Door System

中分高速门系列
2CO High-speed Door System

三折门系列
3-Leafs Door System

旁开单折门系列
SO Door System

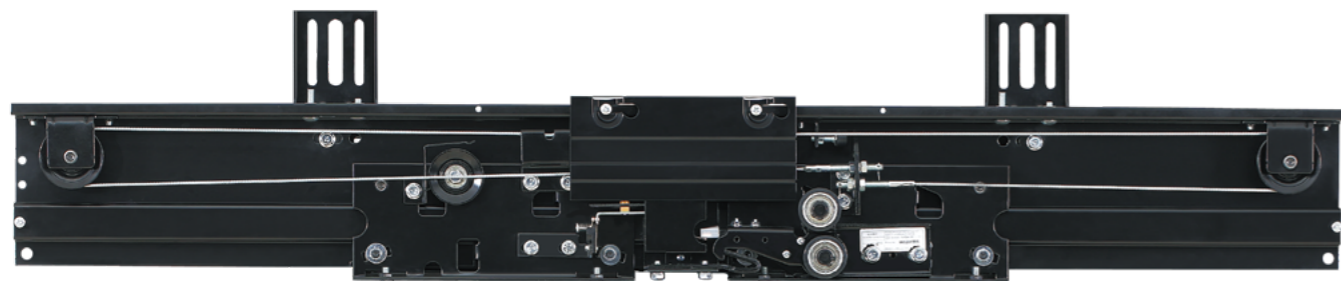
门扇 / 门套 / 地坎系列
Door Panel / Door Jamb / Sill

配件系列
Accessories

安全部件系列
Safety Device

中分式层门装置 (防火型)

2-Leafs Center Opening Landing Door Device
(Fireproof Type)



- 识别号: OCM01-BF (防火型)
- 特征:
- 防火层门符合 EN81-58, GB/T24480, GOST30247.3 120min 防火认证要求
 - 开锁方式为门板上开锁, 通过 45Kg 摆锤冲击试验
 - 采用重锤强迫关门方式, 重锤与导向管置于层门门板内侧
 - 门锁通过国家电梯检测中心测试合格, 取得 CE、CU-TR 认证
 - 门锁适用电压: $\leq AC230V$ 、 $\leq DC110V$

- Serial NO: OCM01-BF (Fireproof Type)
- Feature:
- Quality conform to EN81-58, GB/T24480, GOST30247.3 120min fireproof certificate requirements
 - Unlocking hole on landing panel, passed 45kg pendulum impact test
 - Closing by weight type, weight and guiding pipe fixed at inner side of landing panel
 - Door lock qualified by the NATIONAL ELEVATOR INSPECTION CENTER, with CE、CU-TR certificate
 - Voltage for door lock: $\leq AC230V$ 、 $\leq DC110V$

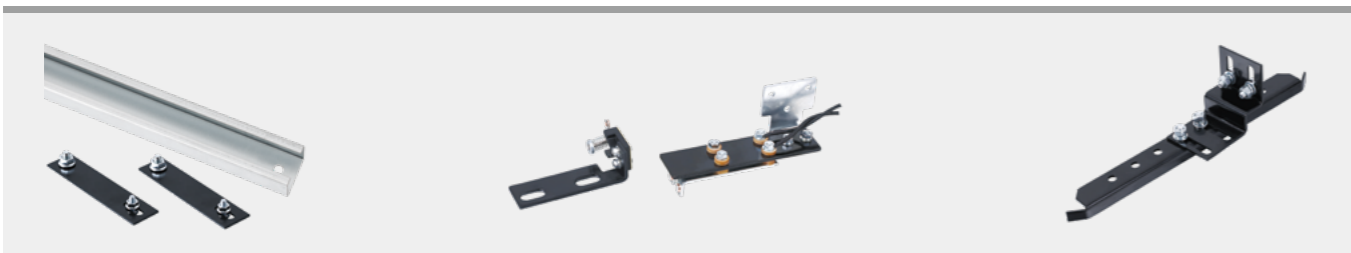
主要附件图 / Accessories:



上坎安装座 Installation stand
Drawing NO:A1066E100.7

重锤组件 Weight module
Drawing NO:D252000BF

层门小封包 Fixings
Drawing NO:A1027A300.7BF



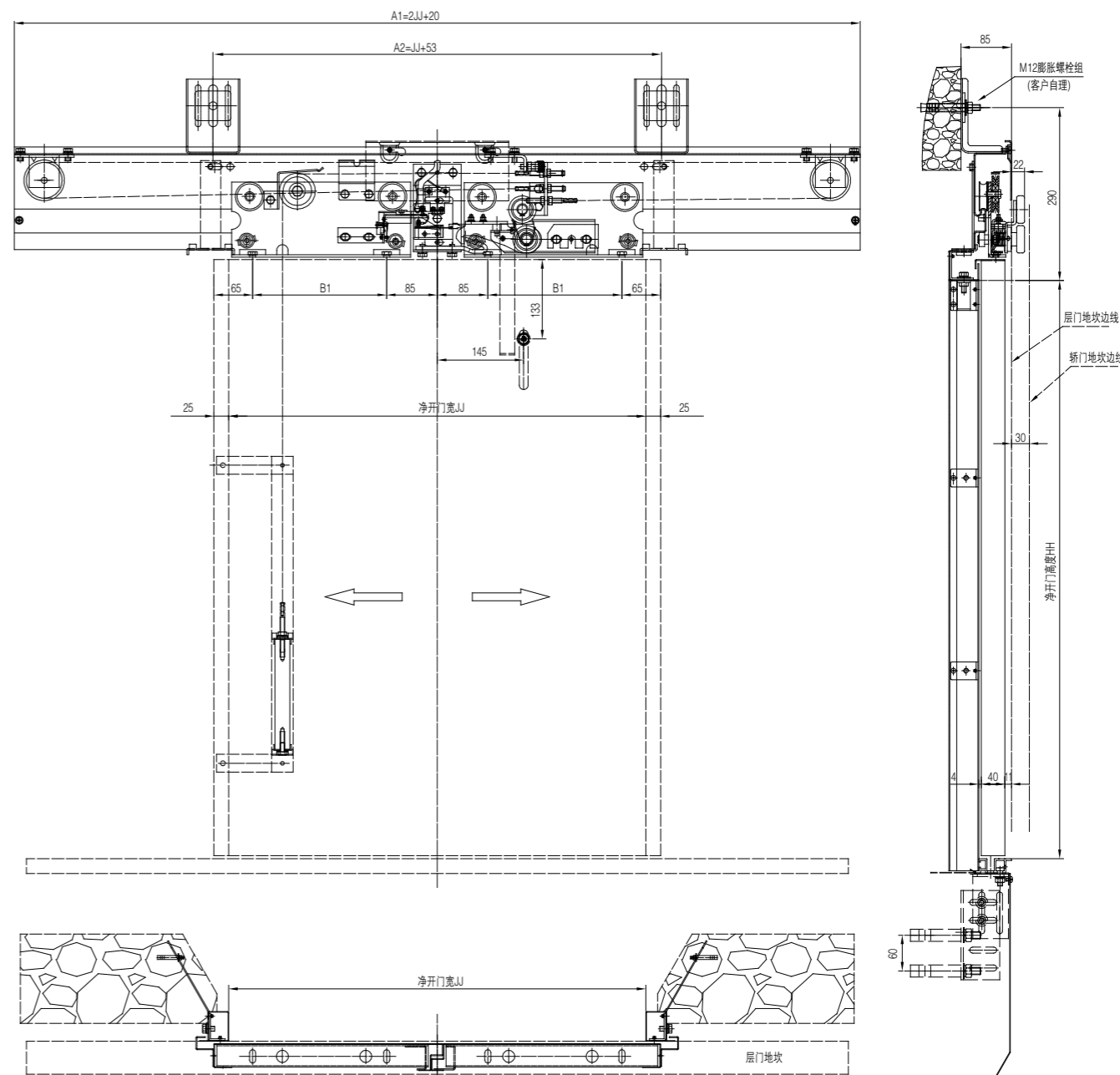
导向管组件 Guiding pipe module
Drawing NO:A1025B700BF

(防火) 被动门开关
Fire proof passive door switch
Drawing NO:D231000F

(中分) 轿门锁撞弓 (选配)
Hitting bow for door lock (optional)
Drawing NO:OPJ314B

OCM01-BF 中分式层门装置 (防火型)

2-Leafs Center Opening Landing Door Device
(Fireproof Type)



净开门 JJ	650	700	750	800	850	900	950	1000	1050	1100	1150	1200
A1	1320	1420	1520	1620	1720	1820	1920	2020	2120	2220	2320	2420
B1	200	225	250	275	300	325	350	375	400	425	450	475

中分式层门装置 (防火隔热型)

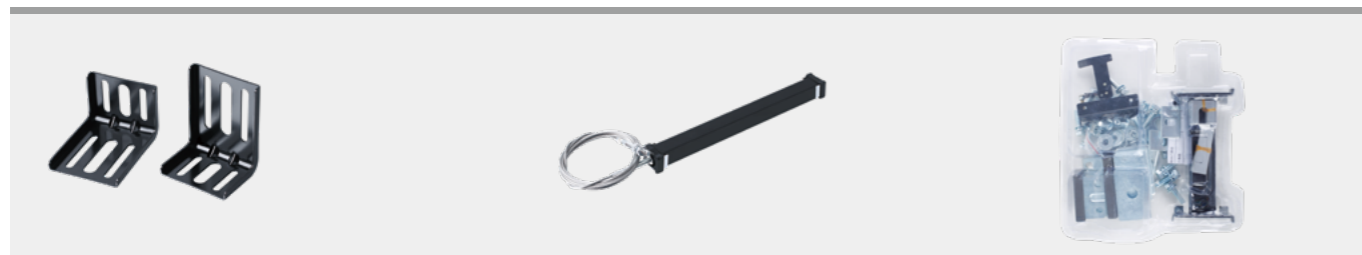
2-Leafs Center Opening Landing Door Device
(Fireproof adiabatic type)



- 识别号: OCM01-EF (防火隔热型)
- 特征:
- 符合 GB/T27903 120min 防火隔热层门认证要求
 - 开锁方式为门套上开锁, 通过 45Kg 摆锤冲击试验
 - 采用重锤强迫关门方式, 重锤与导向管置于层门装置一侧
 - 门锁通过国家电梯检测中心测试合格, 取得 CE、CU-TR 认证
 - 门锁适用电压: \leq AC230V、 \leq DC110V

- Serial NO: OCM01-EF (Fireproof adiabatic type)
- Feature:
- Quality conform to GB/T27903 120min fireproof certificate requirements
 - Unlocking hole on door jamb, passed 45kg pendulum impact test
 - Closing by weight type, weight and guiding pipe fixed at inner side of landing panel
 - Door lock qualified by the NATIONAL ELEVATOR INSPECTION CENTER, with CE、CU-TR certificate
 - Voltage for door lock: \leq AC230V、 \leq DC110V

主要附件图 / Accessories:



上坎安装座 Installation stand
Drawing NO: A1066E100.7

重锤组件 Weight module
Drawing NO: D252000EF

层门小封包组件 Fixings
Drawing NO: A1027A300.7EF



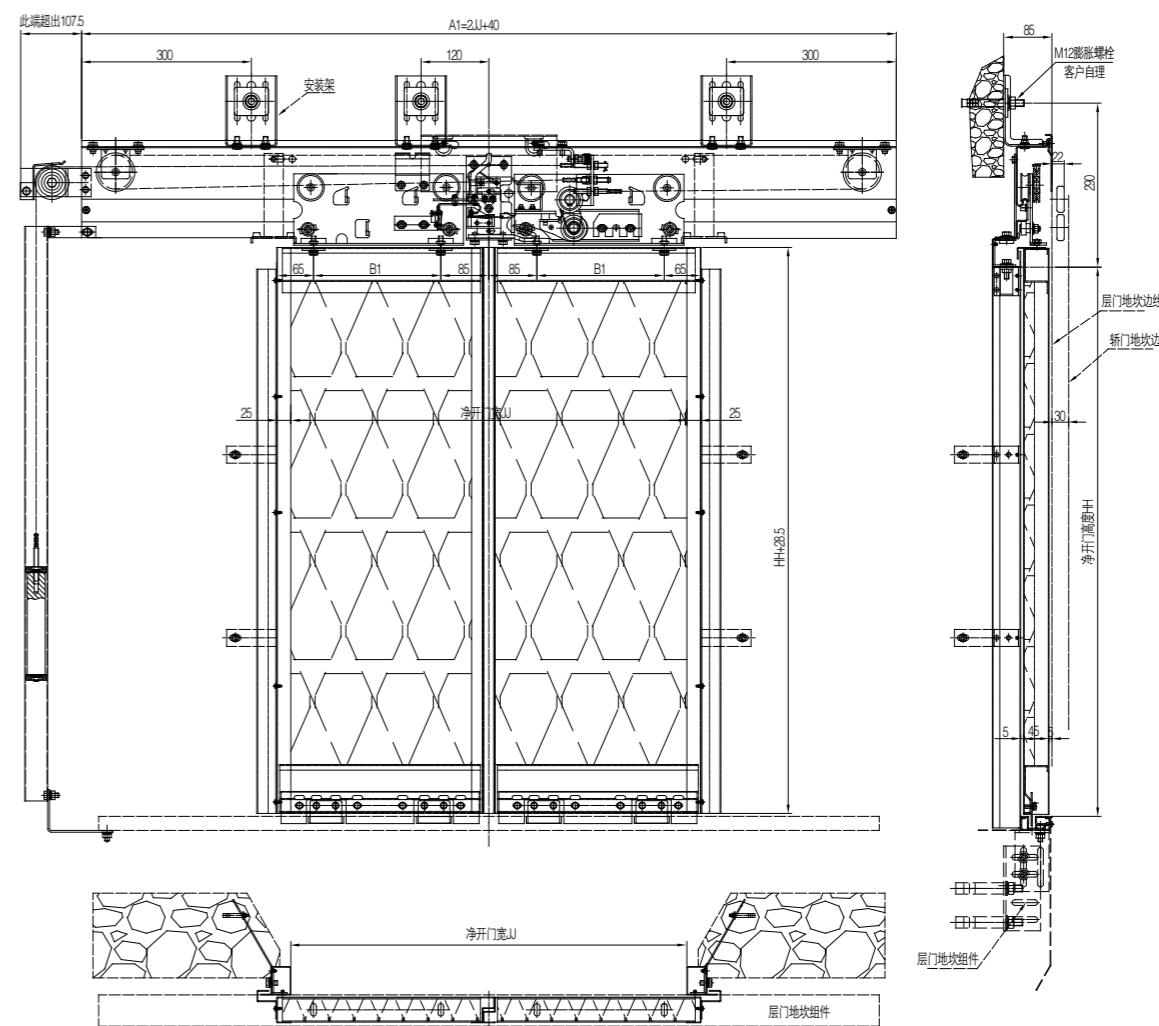
导向管组件 Guiding pipe module
Drawing NO: A1025B700EF

(防火) 被动门开关
Fire proof passive door switch
Drawing NO: D231000F

重锤绳轮组件
Drawing NO: OCM01EF.2

OCM01-EF 中分式层门装置 (防火隔热型)

2-Leafs Center Opening Landing Door Device
(Fireproof adiabatic type)



净开门 JJ	650	700	750	800	850	900	950	1000	1050	1100	1150	1200
A1	1340	1440	1540	1640	1740	1840	1940	2040	2140	2240	2340	2440
B1	200	225	250	275	300	325	350	375	400	425	450	475

中分门系列
2 CO Door System

旁开双折门系列
2 SO Door System

中分双折门系列
4 CO Door System

别墅梯门系列
HomeLit Door System

中分高速梯门系列
2CO High-speed Door System

三折门系列
3-Leafs Door System

旁开单折门系列
SO Door System

门扇 / 门套 / 地坎系列
Door Panel / Door Jamb / Sill

配件系列
Accessories

安全部件系列
Safety Device

旁开双折永磁同步门机

2-Leafs Side Opening Permanent Magnet Synchronous Door Operator



识别号: OMJ-500A (轿顶式) OMJ-500B (轿架直梁式)

- 特征:
- 采用永磁同步大功率电机, 额定转矩大, 高效节能环保
 - 采用集成轿门锁功能的同步门刀, 真正实现厅轿门同步开闭
 - 采用同步带直接传动, 无滑差, 运行平稳噪音更低
 - 采用全闭环伺服控制技术, 调试简便, 控制精度高
 - 门挂板设置防撞击脱落安全挂钩, 安全可靠

Serial NO: OMJ-500A (Car Top Installation) OMJ-500B (Straight Beam Installation)

- Feature:
- Using permanent magnet motor, wide torque range, high efficiency, environmental protection, energy saving
 - The synchronous vane is equipped with door lock function, the door operator and landing door device 100% opened or closed synchronously
 - The synchronous belt drive directly, no slip, running smoothly in lower noise
 - Full-closed-loop control technology, safe, reliable and easy to adjust
 - The door hanger has a safety hook to prevent collision and fall off

门控制器配置 (选配) Inverter(Optional):



OLVF200-1

NICE-D-A-SOP4-OL2

AAD03040D-OL

安装方式附件配置 Installation Attachment:

1、轿顶安装 For Car Top Installation

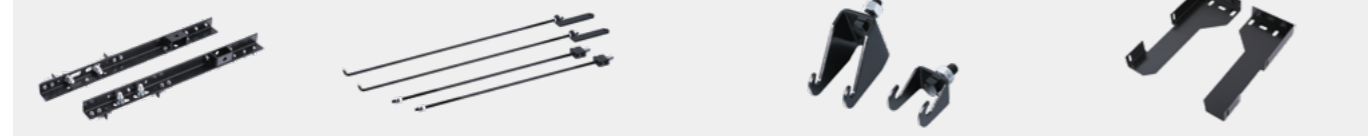


1.1 轿顶安装支架
Car top installation brackets
Drawing NO: M1002042

1.2 加强安装支架
Strengthened installation bracket
Drawing NO: M1002046

1.3 轿顶安装 C 型管 (选配)
Fixing pipe for car top installation(optional)
Drawing NO: OMJ01-03

2、轿架直梁安装 For Straight Beam Installation



2.1 安装臂组件
Installation arm module
Drawing NO: M5002001

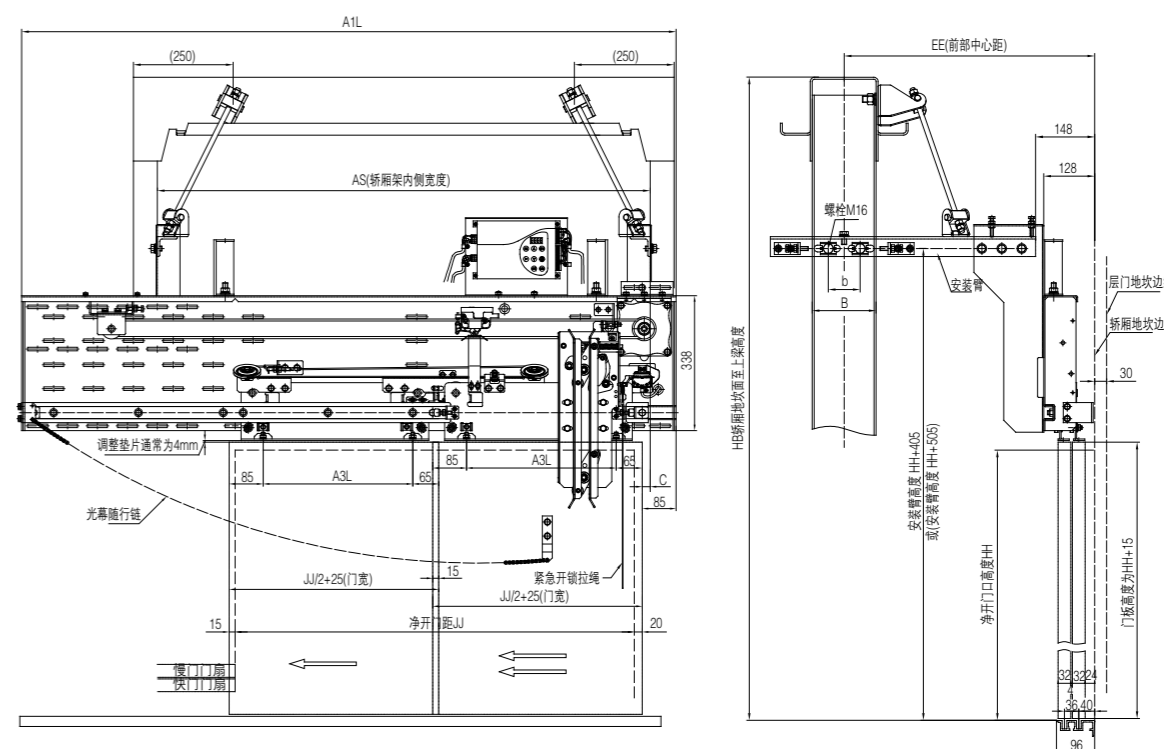
2.2 直拉杆组件 / 长拉杆组件
Straight tie-rod module / long tie-rod module
Drawing NO: M1002015 / M1002012

2.3 大拉钩 / 小拉钩
Big pull hook / small pull hook
Drawing NO: OMJ01.26 / OMJ01.32

2.4 安装侧板组件
Side bracket for installation
Drawing NO: M500050 / M5000052

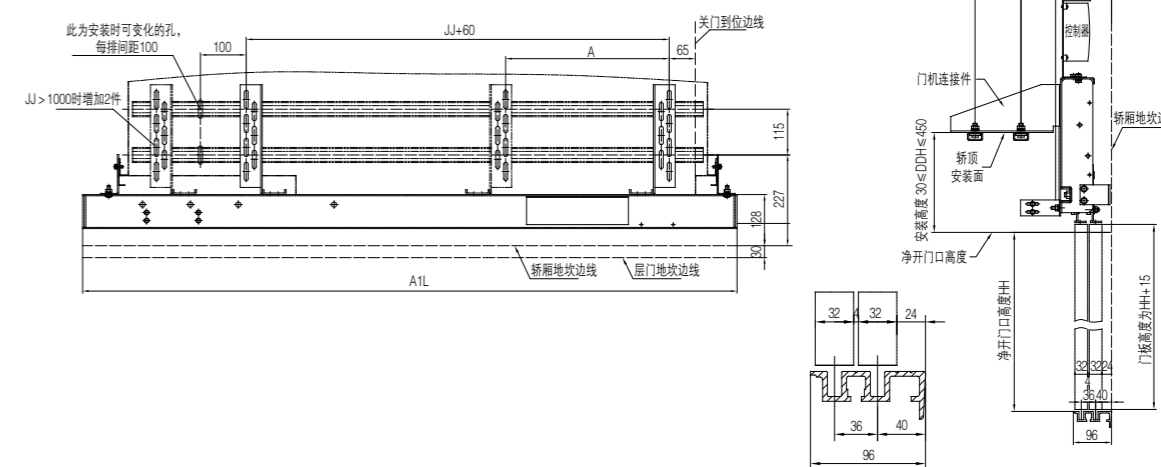
OMJ-500B 旁开双折永磁同步门机 (轿架直梁式)

2-Leafs Side Opening Permanent Magnet Synchronous Door Operator (Straight Beam Installation)



OMJ-500A 旁开双折永磁同步门机 (轿顶式)

2-Leafs Side Opening Permanent Magnet Synchronous Door Operator (Car Top Installation)



净开门宽 JJ	700	800	900	1000	1100	1200	1300	1400	1500	1600	1700	1800
A1L	1190	1340	1490	1640	1790	1940	2090	2240	2390	2540	2690	2840
A3L	225	275	325	375	425	475	525	575	625	675	725	775
A	260	310	360	410	460	510	560	610	660	710	760	810

HB、AS、EE、B、b、C、HH 根据客户指令确定 According to the customer's order

旁开双折变频同步门机

2-Leafs Side Opening VVVF Synchronous Door Operator



- 识别号: OMJ-501A (轿顶式) OMJ-501B (轿架直梁式)
- 特征:
- 采用集成轿门锁功能的同步门刀, 真正实现厅轿门同步开闭
 - 采用一级减速同步带传动, 无滑差, 运行平稳噪音更低
 - 采用 VVVF 变频控制技术, 性能可靠, 调试简便
 - 门挂板设置防撞击脱落安全挂钩, 安全可靠
- Serial NO: OMJ-501A (Car Top Installation) OMJ-501B (Straight Beam Installation)
- Feature:
- The synchronous vane is equipped with door lock function, the door operator and landing door device 100% opened or closed synchronously
 - The synchronous belt drive directly, no slip, no lubrication, running smoothly in lower noise
 - VVVF control system, safe, reliable and easy to adjust
 - The door hanger has a safety hook to prevent collision and fall off

门控制器配置 (选配) Inverter(Optional):



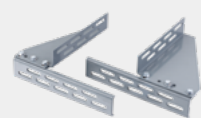
OLVF300-1

NICE-D-A-SOP4-OL2

AA03040D-OL

安装方式附件配置 Installation Attachment:

1. 轿顶安装 For Car Top Installation



1.1 轿顶安装支架
Car top installation brackets
Drawing NO: M1002042



1.2 加强安装支架
Strengthened installation bracket
Drawing NO: M1002046



1.3 轿顶安装 C 型管 (选配)
Fixing pipe for car top installation(optional)
Drawing NO: OMJ01-03

2. 轿架直梁安装 For Straight Beam Installation



2.1 安装臂组件
Installation arm module
Drawing NO: M5002001



2.2 直拉杆组件 / 长拉杆组件
Straight tie-rod module / long tie-rod module
Drawing NO: M1002015 / M1002012



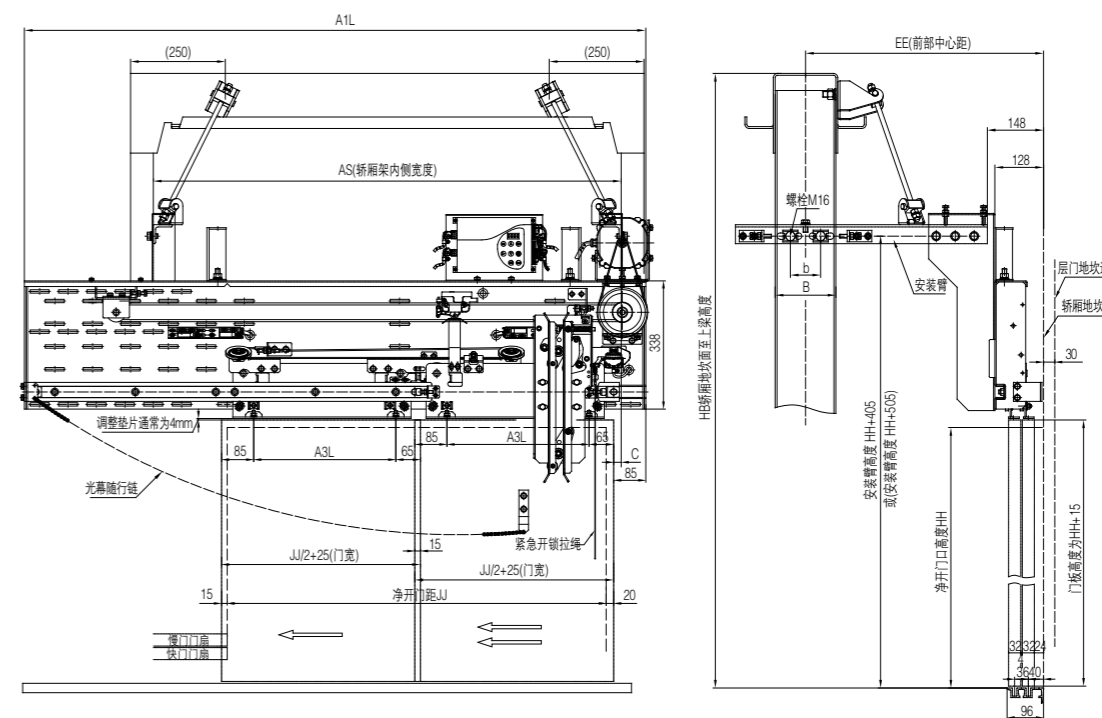
2.3 大拉钩 / 小拉钩
Big pull hook / small pull hook
Drawing NO: OMJ01.26 / OMJ01.32



2.4 安装侧板组件
Side bracket for installation
Drawing NO: M500050

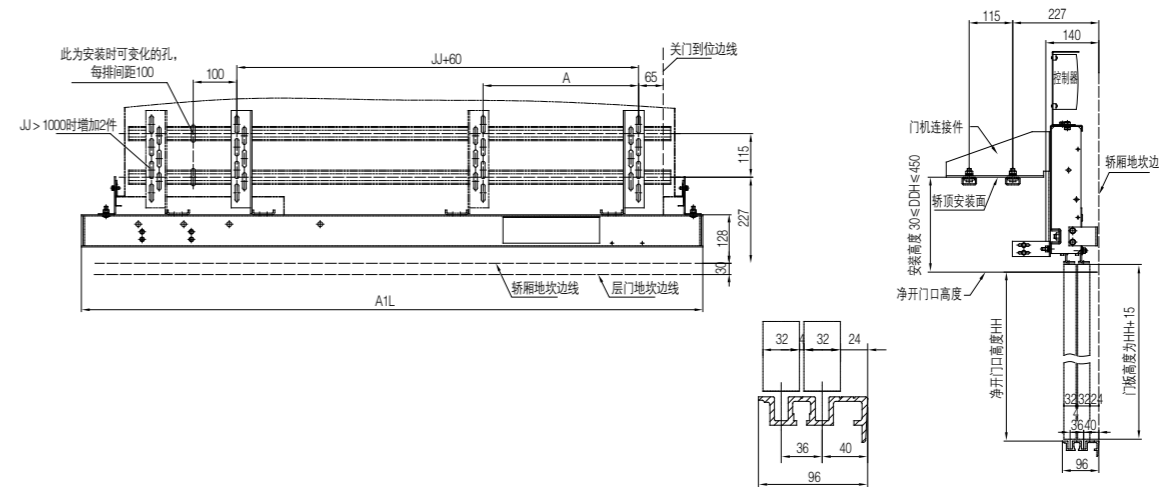
OMJ-501B 旁开双折变频同步门机 (轿架直梁式)

2-Leafs Side Opening VVVF Synchronous Door Operator (Straight Beam Installation)



OMJ-501A 旁开双折变频同步门机 (轿顶式)

2-Leafs Side Opening VVVF Synchronous Door Operator (Car Top Installation)



净开门口宽 JJ	700	800	900	1000	1100	1200	1300	1400	1500	1600	1700	1800
A1L	1190	1340	1490	1640	1790	1940	2090	2240	2390	2540	2690	2840
A3L	225	275	325	375	425	475	525	575	625	675	725	775
A	260	310	360	410	460	510	560	610	660	710	760	810

HB、AS、EE、B、b、C、HH 根据客户指令确定 According to the customer's order

旁开双折三相变频异步门机

2-Leafs Side Opening VVVF
Asynchronous Door Operator



- 识别号: OMJ-02X (轿架直梁式) OMJ-02JDX (轿顶式)
- 特征:
 ○采用一级减速同步带传动, 无滑差, 无需润滑, 运行平稳噪音更低
 ○采用集成轿门锁功能的异步门刀, 实现挂板上安装
 ○采用 VVVF 变频控制技术, 性能可靠, 调试简便

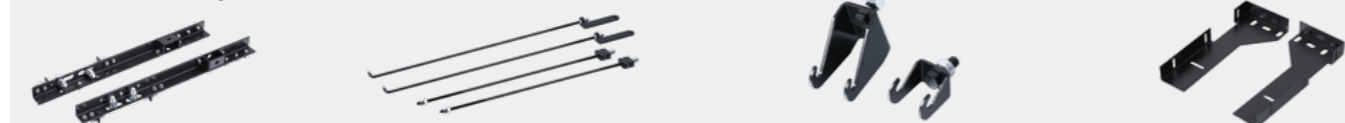
- Serial NO: OMJ-02X (Straight Beam Installation) OMJ-02JDX (Car Top Installation)
- Feature:
 ○ The synchronous belt drive directly, no slip, no lubrication, running smoothly in lower noise
 ○ The asynchronous vane is equipped with door lock function, installation on door hanger
 ○ VVVF control system, safe, reliable and easy to adjust

门控制器配置 (选配) Inverter(Optional):



安装方式附件配置 Installation Attachment:

1、轿架直梁安装 For Straight Beam Installation



- 1.1 安装臂组件
Installation arm module
Drawing NO: OMJ02X.2
- 1.2 直拉杆组件 / 长拉杆组件
Straight tie-rod module / long tie-rod module
Drawing NO: OMJ02.6 / OMJ02.5
- 1.3 大拉钩 / 小拉钩
Big pull hook / small pull hook
Drawing NO: OMJ01.26 / OMJ01.32
- 1.4 安装侧板组件
Side bracket for installation
Drawing NO: OMJ02X.1.4

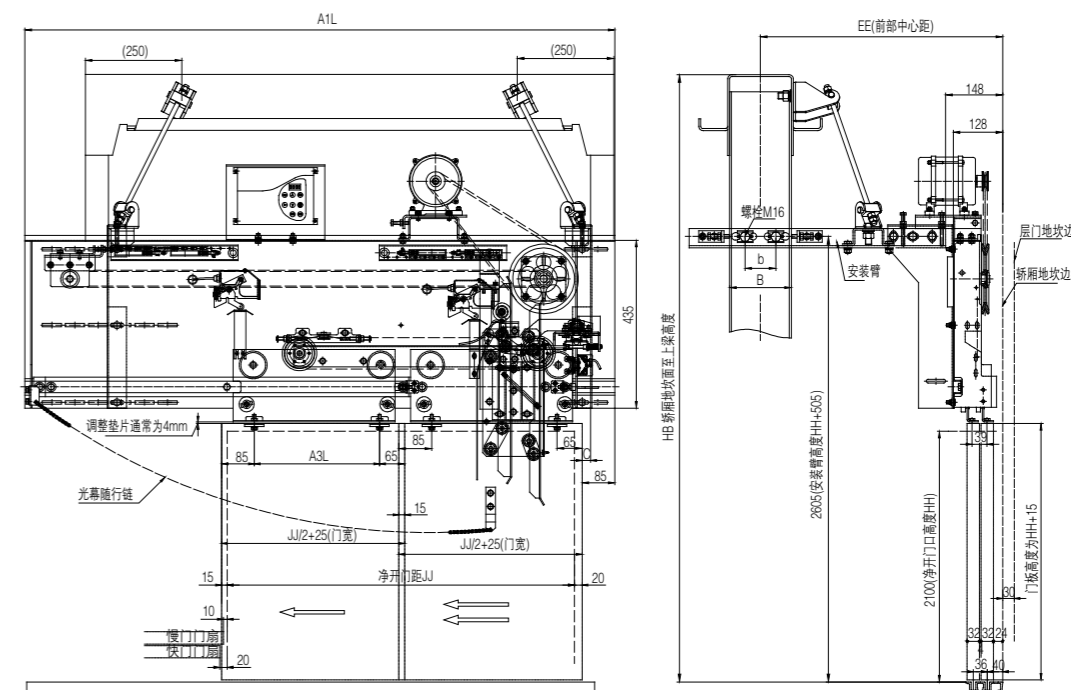
2、轿顶安装 For Car Top Installation



- 2.1 轿顶安装支架
Car top installation brackets
Drawing NO: OMJ01-01 / OMJ01-02
- 2.2 加强安装支架
Strengthened installation bracket
Drawing NO: OMJ06-1B
- 2.3 轿顶安装 C 型管 (选配)
Fixing pipe for car top installation(optional)
Drawing NO: OMJ01-03

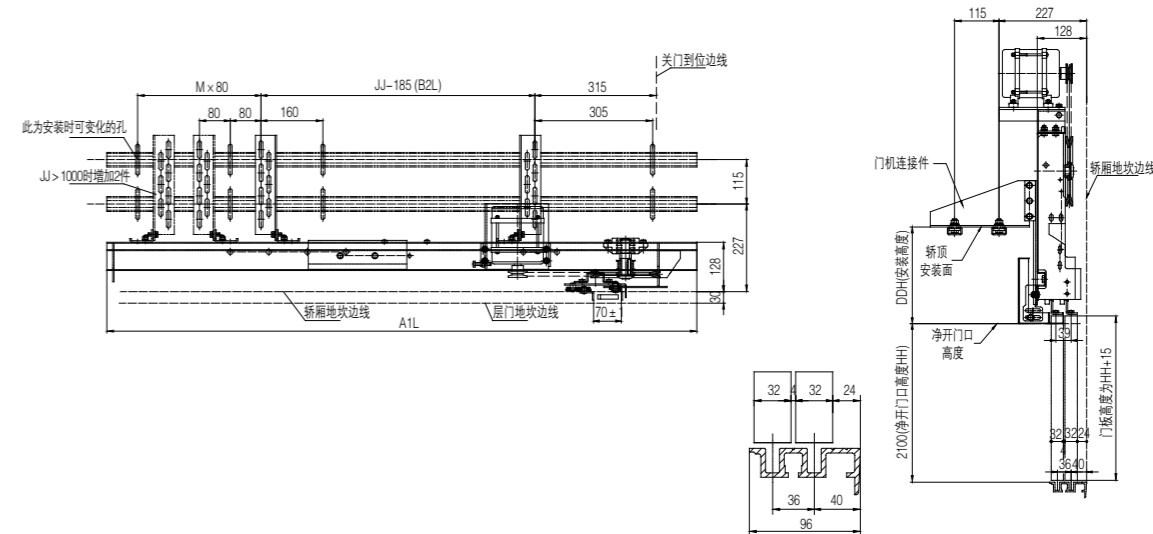
OMJ-02X 旁开双折三相变频异步门机 (轿架直梁式)

2-Leafs Side Opening VVVF Asynchronous Door Operator
(Straight Beam Installation)



OMJ-02JDX 旁开双折三相变频异步门机 (轿顶式)

2-Leafs Side Opening VVVF Asynchronous Door Operator
(Car Top Installation)



净开门宽 JJ	700	800	900	1000	1100	1200	1300	1400	1500	1600	1700	1800
A1L	1230	1380	1530	1680	1830	1980	2130	2280	2430	2580	2730	2880
A3L	225	275	325	375	425	475	525	575	625	675	725	775

HB、AS、EE、B、b、C、HH 根据客户指令确定 According to the customer's order

旁开双折层门装置

2-Leafs Side Opening Landing Door Device



- 识别号: OCM-02AX(重锤内置) OCM-02C(重锤旁置)
- 特征:
 ●采用重锤强迫关门方式, 重锤与导向管置于快门门板边缘 / 或关门侧
 ●开锁方式为门板上开锁, 通过 45Kg 摆锤冲击试验
 ●门锁通过国家电梯检测中心测试合格, 取得 CE、CU-TR 认证
 ●门锁适用电压: $\leq AC230V$ 、 $\leq DC110V$

- Serial NO: OCM-02AX(Weight inner-placed) OCM-02C(Weight side-placed)
- Feature:
 ● Closing by weight type, weight and guiding pipe fixed at two sides of landing panels / or door-closing side
 ● Unlocking hole on landing panel, passed 45kg pendulum impact test
 ● Door lock qualified by the NATIONAL ELEVATOR INSPECTION CENTER, with CE、CU-TR certificate
 ● Voltage for door lock: $\leq AC230V$ 、 $\leq DC110V$

主要附件图 / Accessories:



上坎安装座 Installation stand
Drawing NO: A1066E100.7

侧安装板 Side bracket for installation
Drawing NO: OCM05A.11

导向管槽 Guiding pipe
Drawing NO: OCM02A-1



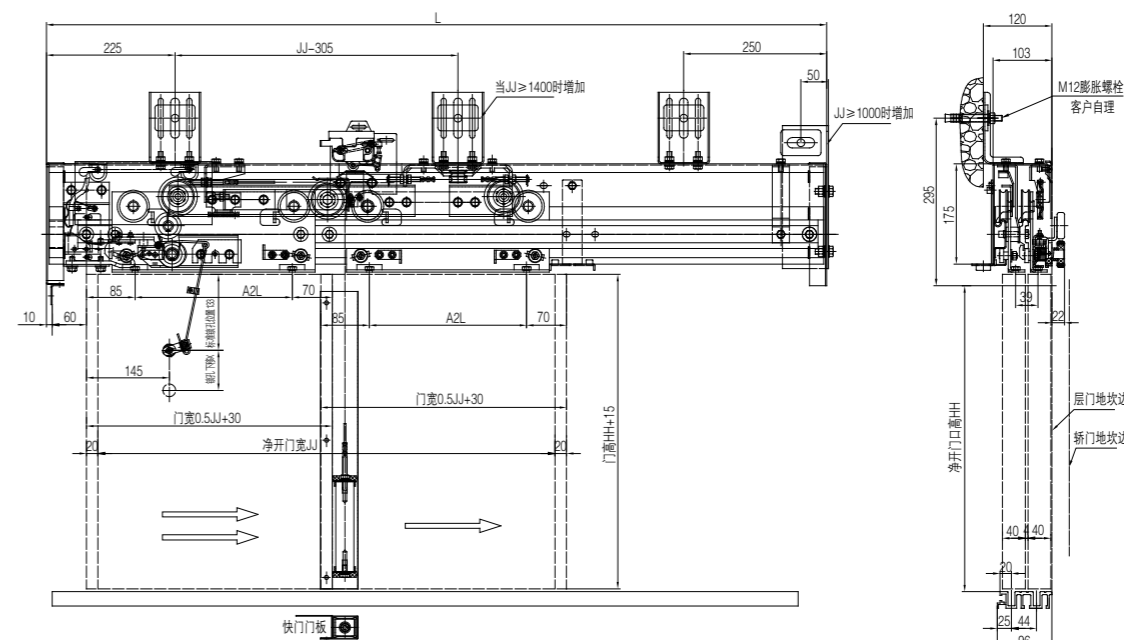
重锤组件 Weight module
Drawing NO: OCM02A.3

层门小零件组件 Spare parts
Drawing NO: OCM02AX.2

触点开关 Contact Switch
Drawing NO: M5000047

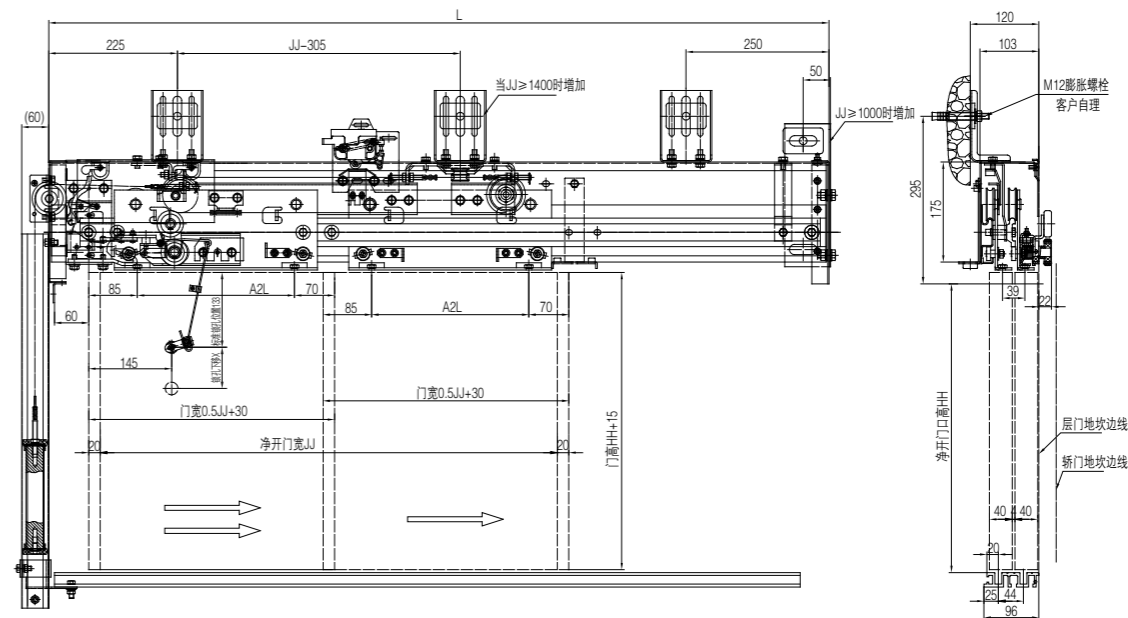
OCM-02AX 旁开双折层门装置 (重锤内置)

2-Leafs Side Opening Landing Door Device
(Weight inner-placed)



OCM-02C 旁开双折层门装置 (重锤旁置)

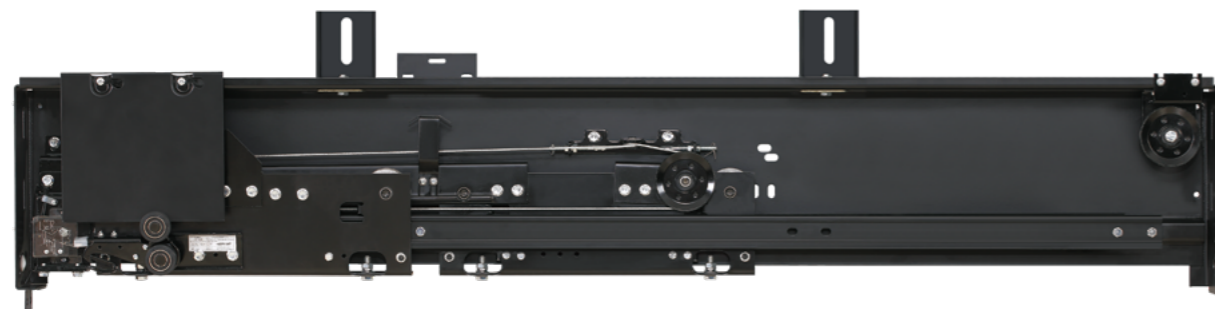
2-Leafs Side Opening Landing Door Device
(Weight side-placed)



净开门宽 JJ	700	800	900	1000	1100	1200	1300	1400	1500	1600	1700	1800
L	1215	1365	1515	1665	1815	1965	2115	2265	2415	2565	2715	2865
A2L	225	275	325	375	425	475	525	575	625	675	725	775
备注	HH ≥ 2000									HH ≥ 2100		HH ≥ 2200

旁开双折层门装置

2-Leafs Side Opening Landing Door Device



- 识别号: OCM-06X
- 特征:
- 采用重锤强迫关门方式, 重锤与导向管置于层门装置一侧
 - 开锁方式为门板上开锁, 通过 45Kg 摆锤冲击试验
 - 门锁通过国家电梯检测中心测试合格, 取得 CE、CU-TR 认证
 - 门锁适用电压: $\leq AC230V$ 、 $\leq DC110V$

- Serial NO: OCM-06X
- Feature:
- Closing by weight type, weight and guiding pipe fixed at one side of landing device
 - Unlocking hole on landing panel, passed 45kg pendulum impact test
 - Door lock qualified by the NATIONAL ELEVATOR INSPECTION CENTER, with CE、CU-TR certificate
 - Voltage for door lock: $\leq AC230V$ 、 $\leq DC110V$

主要附件图 / Accessories:



上坎架安装座 Installation stand
Drawing NO: OCM03.1-4

侧安装板 Side bracket for installation
Drawing NO: OCM05.2

导向管槽 Guiding pipe
Drawing NO: OCM06.4



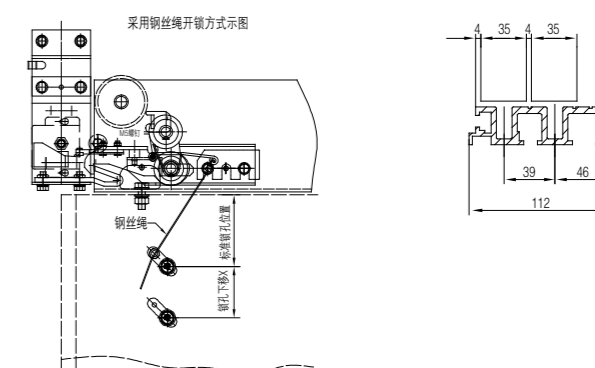
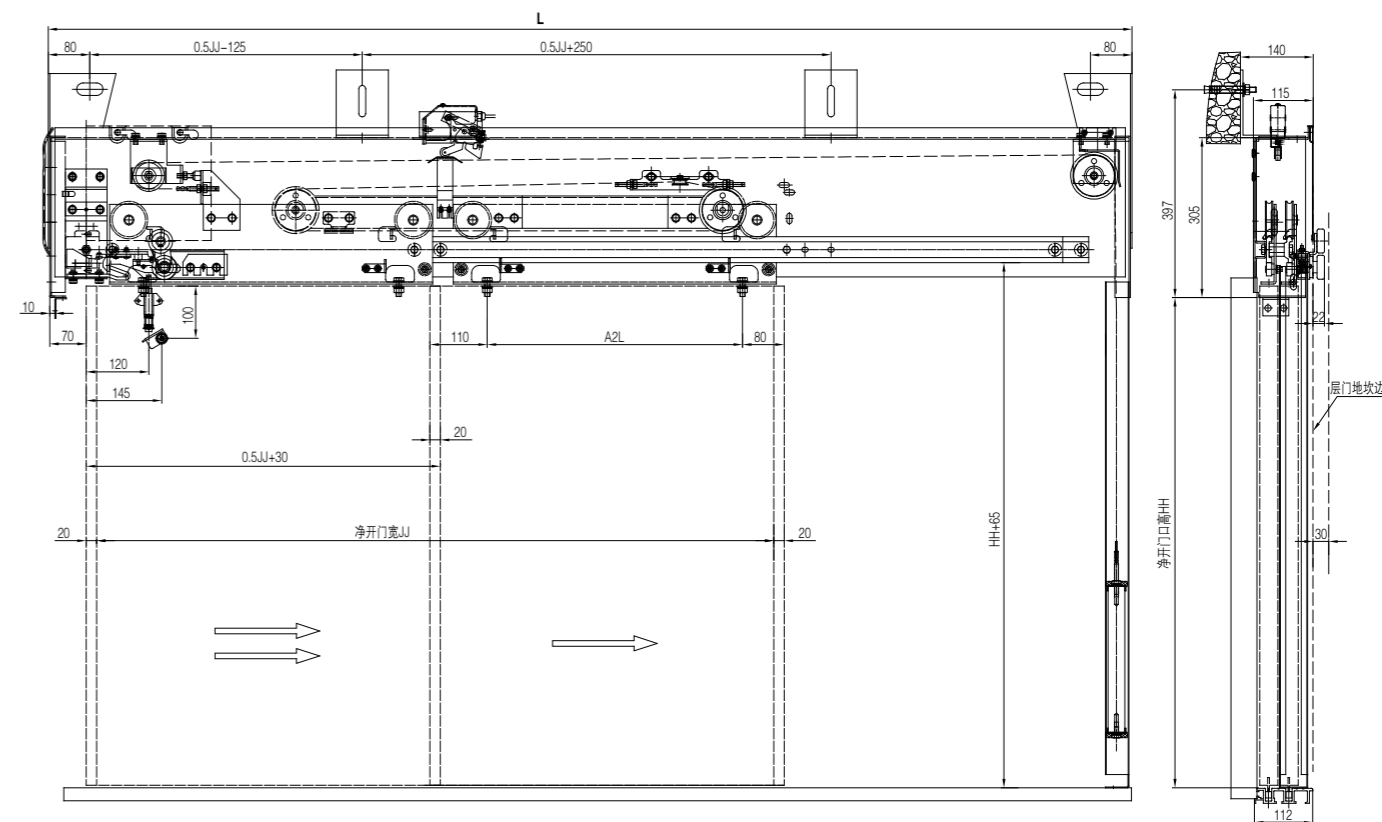
重锤组件 Weight module
Drawing NO: OCM06.2

层门小零件组件 Spare parts
Drawing NO: OCM06X.3

触点开关 Contact Switch
Drawing NO: M5000047

OCM-06X 旁开双折层门装置

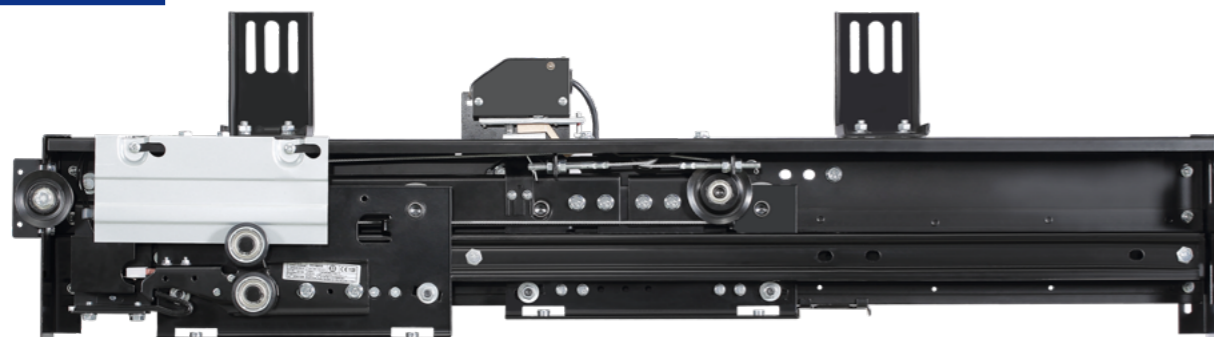
2-Leafs Side Opening Landing Door Device



净开门宽 JJ	1000	1100	1200	1300	1400	1500	1600	1700	1800
L	1781	1931	2081	2231	2381	2531	2681	2831	2981
A2L	340	390	440	490	540	590	640	690	740
备注	当 JJ > 1700 时, HH ≥ 2200								

旁开双折式层门装置 (防火型)

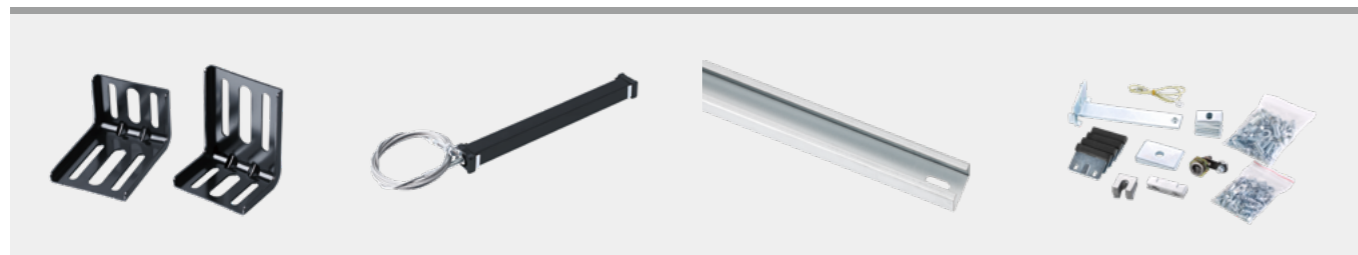
2-Leafs Side Opening Landing Door Device
(Fireproof Type)



- 识别号: OCM-02B(防火型)
- 特征:
- 符合 GB/T27903 120min 防火层门认证要求
 - 开锁方式为门板上开锁, 通过 45Kg 摆锤冲击试验
 - 采用重锤强迫关门方式, 重锤与导向管置于层门装置关门侧
 - 门锁通过国家电梯检测中心测试合格, 取得 CE、CU-TR 认证
 - 门锁适用电压: \leq AC230V、 \leq DC110V

- Serial NO: OCM-02B (Fireproof Type)
- Feature:
- Quality conform to GB/T27903 120min fireproof certificate requirements
 - Unlocking hole on landing panel, passed 45kg pendulum impact test
 - Closing by weight type, weight and guiding pipe fixed at inner side of landing panel
 - Door lock qualified by the NATIONAL ELEVATOR INSPECTION CENTER, with CE、CU-TR certificate
 - Voltage for door lock: \leq AC230V、 \leq DC110V

主要附件图 / Accessories:



上坎安装座 Installation stand
Drawing NO: A1066E100.7

重锤组件 Weight module
Drawing NO: OCM02B.2

导向管组件 Guiding pipe module
Drawing NO: OCM02B.3

层门小封包组件 Fixings
Drawing NO: OCM02B.4



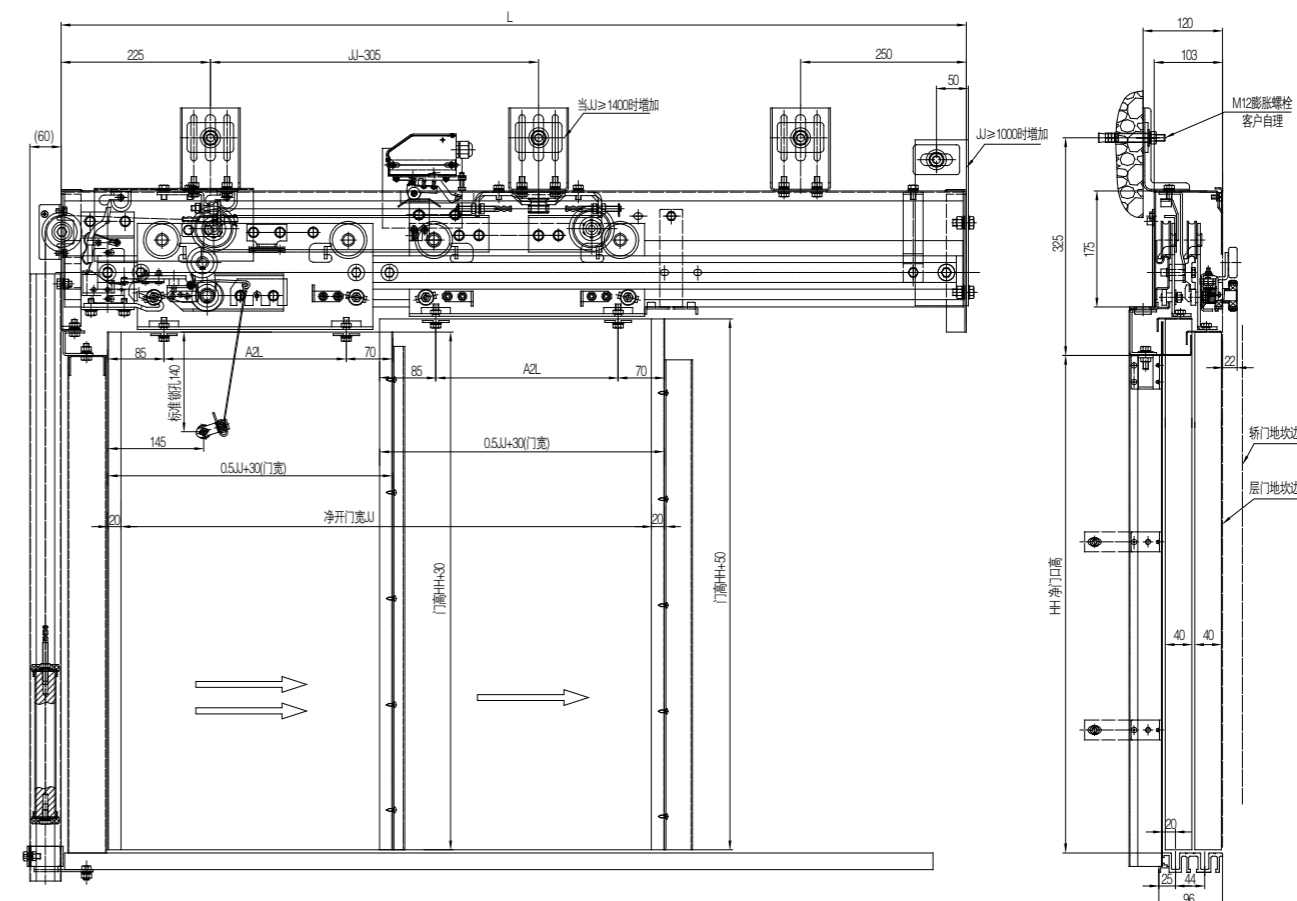
侧安装板 Side bracket for installation
Drawing NO: OCM05A.11

重锤绳轮组件 Weight pulley module
Drawing NO: OCM02B.1.6

1375E 层门开关 (防火) Landing switch (fireproof)
Drawing NO: BE-1375E

OCM-02B 旁开双折式层门装置 (防火型)

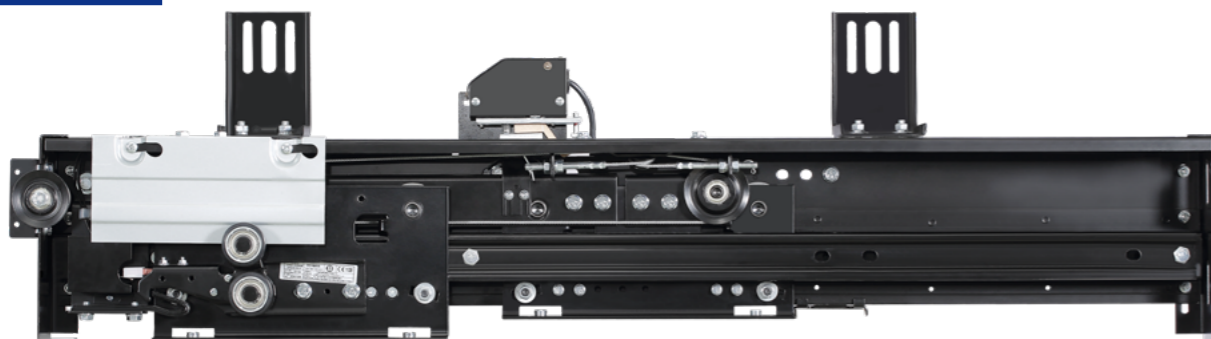
2-Leafs Side Opening Landing Door Device
(Fireproof Type)



净开门 JJ	700	800	900	1000	1100	1200	1300	1400	1500	1600	1700	1800
A1	1215	1365	1515	1665	1815	1965	2115	2265	2415	2565	2715	2865
B1	225	275	325	375	425	475	525	575	625	675	725	775

旁开双折式层门装置 (防火隔热型)

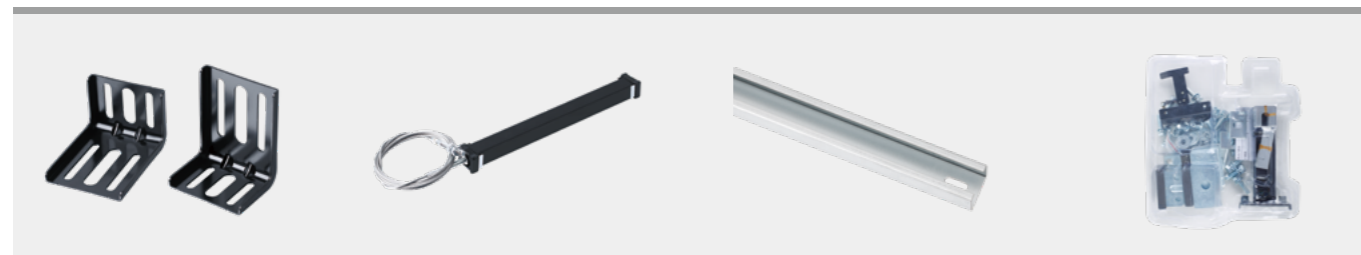
2-Leafs Side Opening Landing Door Device
(Fireproof adiabatic type)



- 识别号: OCM02-EF (防火隔热型)
- 特征:
- 符合 GB/T27903 60min 防火隔热层门认证要求
 - 开锁方式为门套上开锁, 通过 45Kg 摆锤冲击试验
 - 采用重锤强迫关门方式, 重锤与导向管置于层门装置关门侧
 - 门锁通过国家电梯检测中心测试合格, 取得 CE、CU-TR 认证
 - 门锁适用电压: \leq AC230V、 \leq DC110V

- Serial NO: OCM02-EF (Fireproof adiabatic type)
- Feature:
- Quality conform to GB/T27903 60min fireproof certificate requirements
 - Unlocking hole on door jamb, passed 45kg pendulum impact test
 - Closing by weight type, weight and guiding pipe fixed at inner side of landing panel
 - Door lock qualified by the NATIONAL ELEVATOR INSPECTION CENTER, with CE、CU-TR certificate
 - Voltage for door lock: \leq AC230V、 \leq DC110V

主要附件图 / Accessories:



上坎安装座 Installation stand
Drawing NO: A1066E100.7

重锤组件 Weight module
Drawing NO: OCM02B.2

导向管组件 Guiding pipe module
Drawing NO: OCM02B.3

层门小封包组件 Fixings
Drawing NO: OCM02EF.4



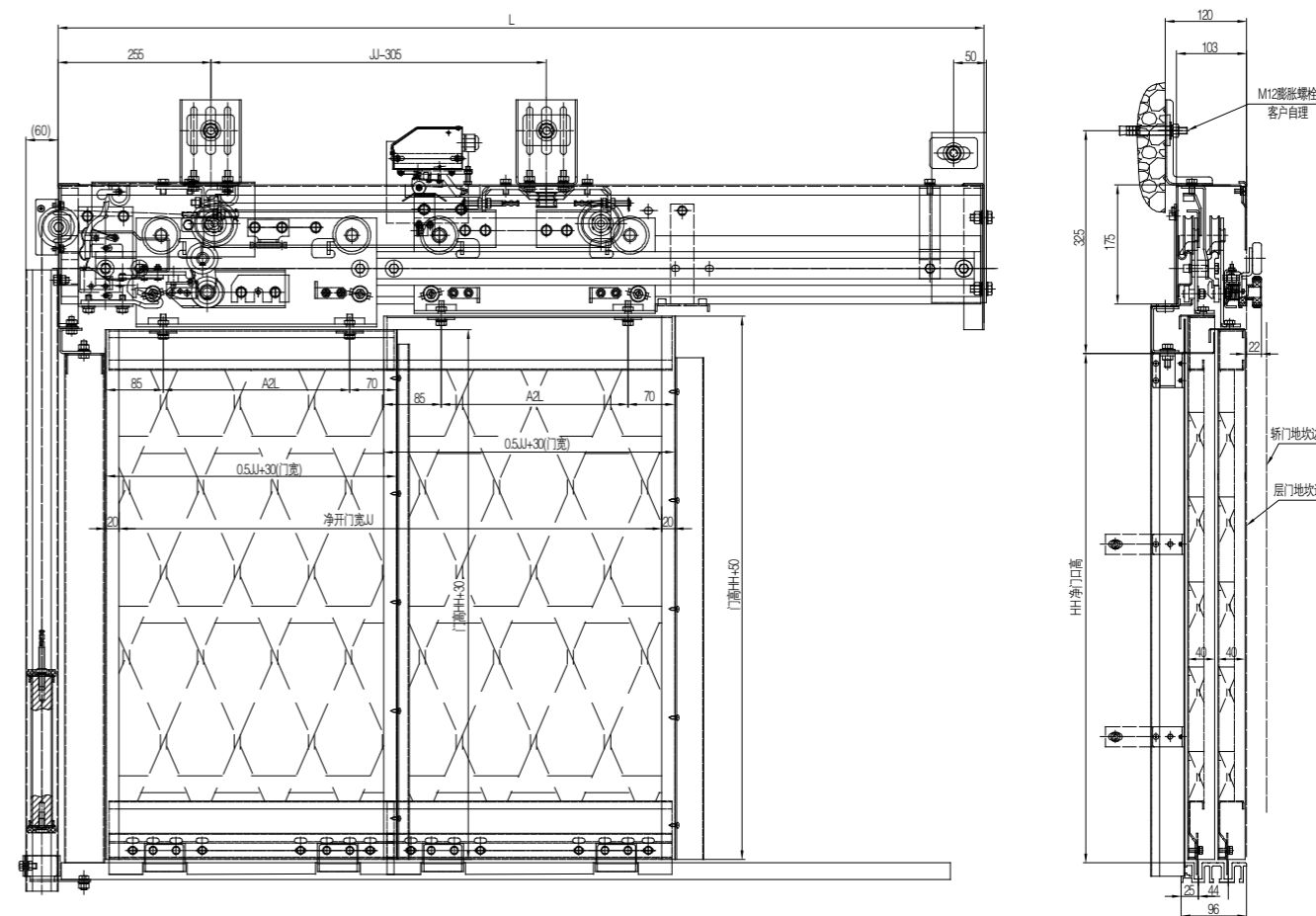
侧安装板 Side bracket for installation
Drawing NO: OCM05A.11

重锤绳轮组件 Weight pulley module
Drawing NO: OCM02B.1.6

1375E 层门开关 (防火) Landing switch (fireproof)
Drawing NO: BE-1375E

OCM02-EF 旁开双折式层门装置 (防火隔热型)

2-Leafs Side Opening Landing Door Device
(Fireproof adiabatic type)



净开门 JJ	700	750	800	850	900	950	1000	1050	1100	1150	1200	1250	1300
A1	1215	1290	1365	1440	1515	1590	1665	1740	1815	1890	1965	2040	2115
B1	225	250	275	300	325	350	375	400	425	450	475	500	525

中分双折永磁同步门机

4-Leafs Center Opening Permanent Magnet Synchronous Door Operator



- 识别号: OMJ-200A (轿顶式) OMJ-200B (轿架直梁式)
- 特征:
- 采用永磁同步大功率电机, 额定转矩大, 高效节能环保
 - 采用集成轿门锁功能的同步门刀, 真正实现厅轿门同步开闭
 - 采用同步带直接传动, 无滑差, 运行平稳噪音更低
 - 采用全闭环伺服控制技术, 调试简便, 控制精度高
 - 门挂板设置防撞击脱落安全挂钩, 安全可靠
- Serial NO: OMJ-200A (Car Top Installation) OMJ-200B (Straight Beam Installation)
- Feature:
- Using permanent magnet motor, wide torque range, high efficiency, environmental protection, energy saving
 - The synchronous vane is equipped with door lock function, the door operator and landing door device 100% opened or closed synchronously
 - The synchronous belt drive directly, no slip, running smoothly in lower noise
 - Full-closed-loop control technology, safe, reliable and easy to adjust
 - The door hanger has a safety hook to prevent collision and fall off

门控制器配置 (选配) Inverter(Optional):

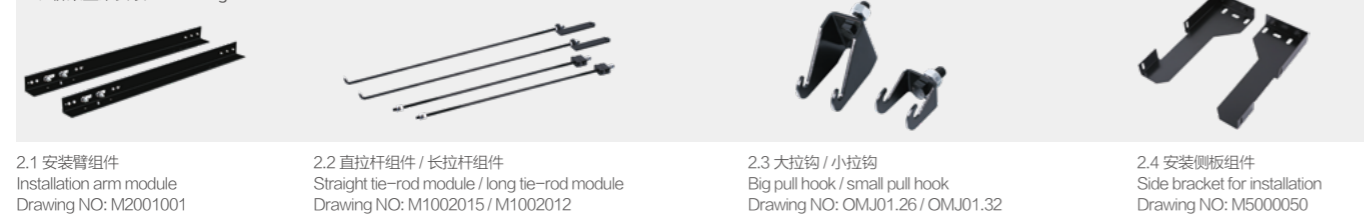


安装方式附件配置 Installation Attachment:

1. 轿顶安装 For Car Top Installation

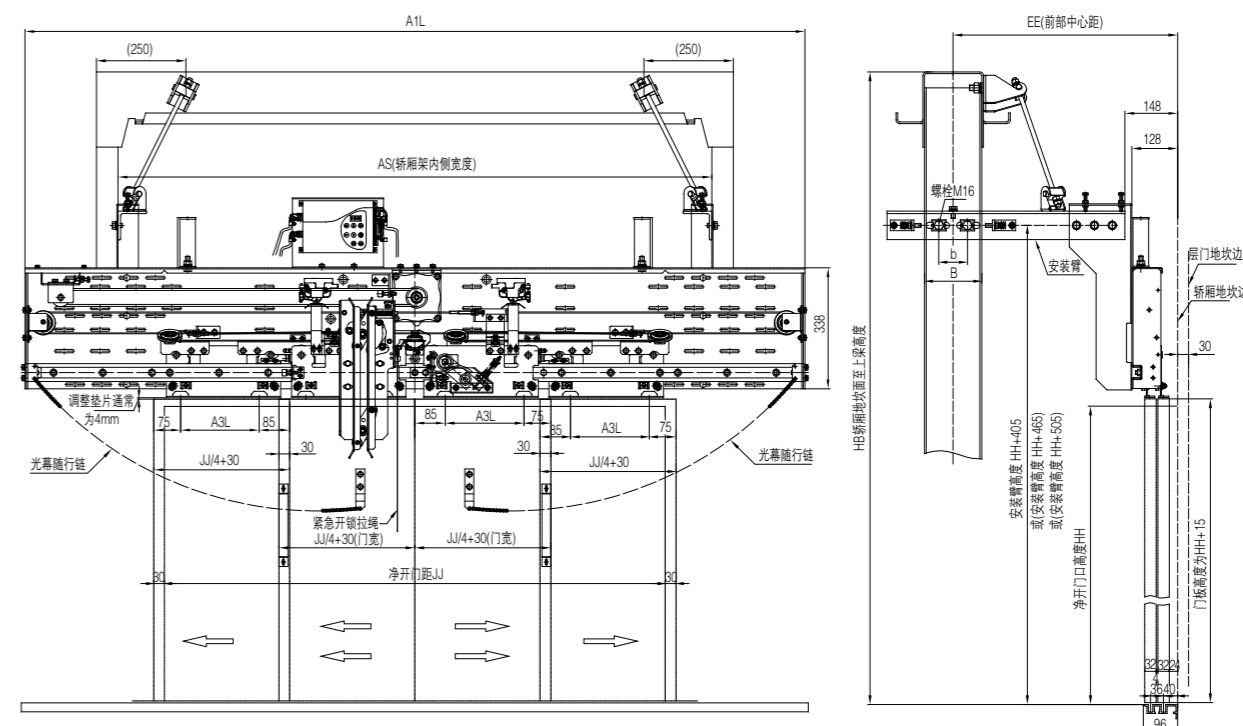


2. 轿架直梁安装 For Straight Beam Installation



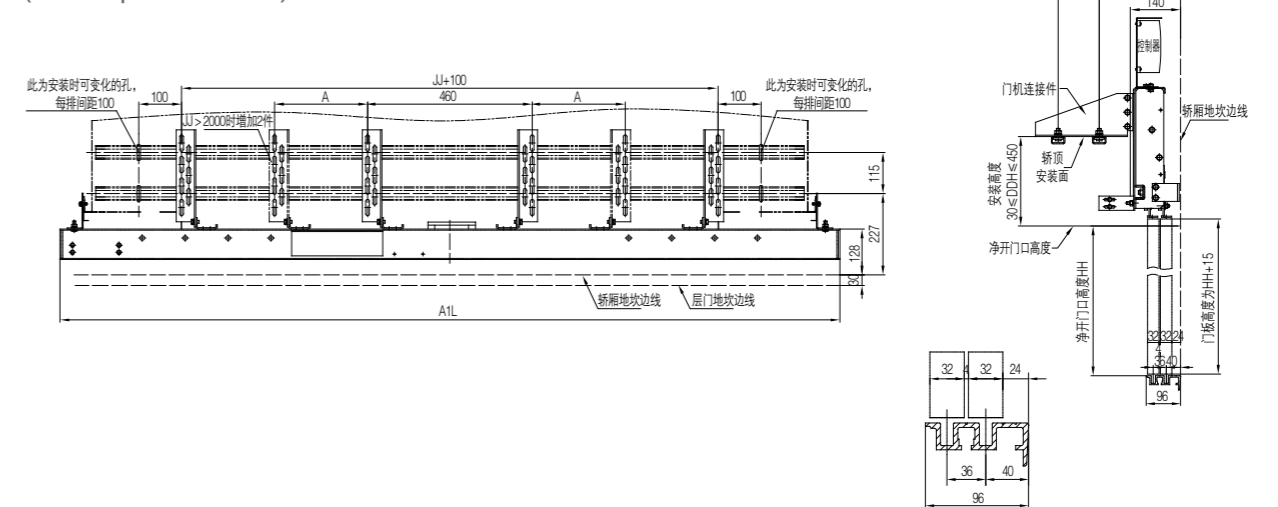
OMJ-200B 中分双折永磁同步门机 (轿架直梁式)

4-Leafs Center Opening Permanent Magnet Synchronous Door Operator (Straight Beam Installation)



OMJ-200A 中分双折永磁同步门机 (轿顶式)

4-Leafs Center Opening Permanent Magnet Synchronous Door Operator (Car Top Installation)



净开门宽 JJ	1400	1500	1600	1700	1800	1900	2000	2100	2200	2300	2400	2500	2600	2700	2800	2900	3000
A1L	2180	2330	2480	2630	2780	2930	3080	3230	3380	3530	3680	3830	3980	4130	4280	4430	4580
A3L	220	245	270	295	320	345	370	395	420	445	470	495	520	545	570	595	620
A	260	285	310	335	360	385	410	435	460	485	510	535	560	585	610	635	660

HB、HH、AS、EE、B、b、C 根据客户指令确定 According to the customer's order

中分门系列
2-Leaf Door System

旁开双折门系列
2-Leaf Door System

中分双折门系列
4-Leaf Door System

别墅折门系列
Home Lift Door System

中分高速折门系列
2CO High-speed Door System

三折门系列
3-Leafs Door System

旁开单折门系列
SO Door System

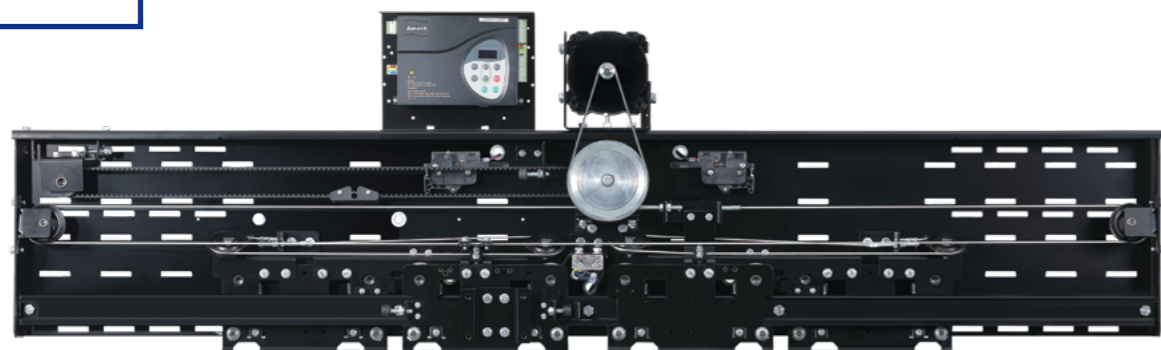
门扇 / 门套 / 地坎系列
Door Panel / Door Jamb / Sill

配件系列
Accessories

安全部件系列
Safety Device

中分双折变频同步门机

4-Leafs Center Opening VVVF Synchronous Door Operator



- 识别号: OMJ-201A (轿顶式) OMJ-201B (轿架直梁式)
- 特征:
- 采用集成轿门锁功能的同步门机, 真正实现厅轿门同步开闭
 - 采用一级减速同步带传动, 无滑差, 运行平稳噪音更低
 - 采用 VVVF 变频控制技术, 性能可靠, 调试简便
 - 门挂板设置防撞击脱落安全挂钩, 安全可靠

- Serial NO: OMJ-201A (Car Top Installation) OMJ-201B (Straight Beam Installation)
- Feature:
- The synchronous vane is equipped with door lock function, the door operator and landing door device 100% opened or closed synchronously
 - The synchronous belt drive directly, no slip, no lubrication, running smoothly in lower noise
 - VVVF control system, safe, reliable and easy to adjust
 - The door hanger has a safety hook to prevent collision and fall off

门控制器配置 (选配) Inverter(Optional):



安装方式附件配置 Installation Attachment:

1. 轿顶安装 For Car Top Installation

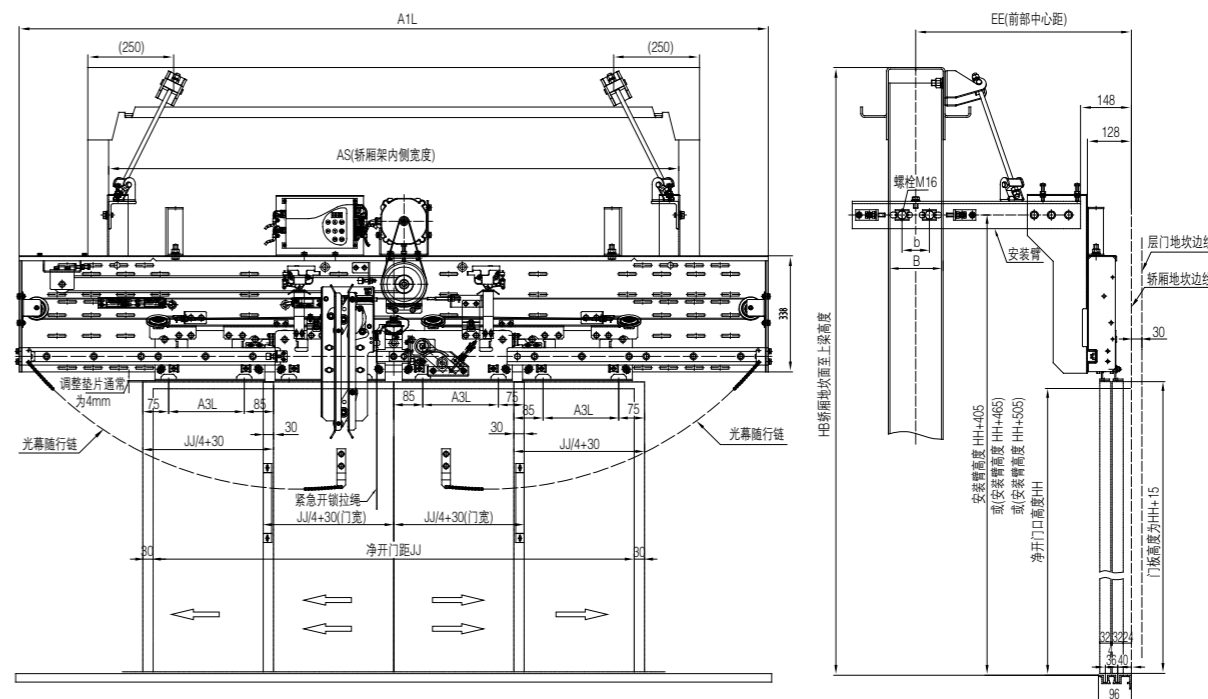


2. 轿架直梁安装 For Straight Beam Installation



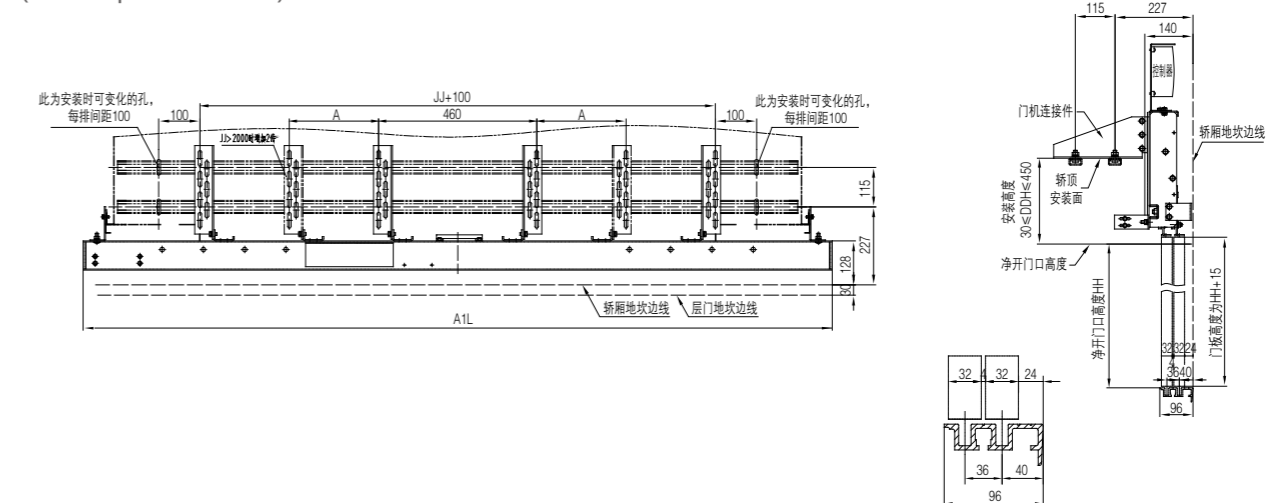
OMJ-201B 中分双折变频同步门机 (轿架直梁式)

4-Leafs Center Opening VVVF Synchronous Door Operator (Straight Beam Installation)



OMJ-201A 中分双折变频同步门机 (轿顶式)

4-Leafs Center Opening VVVF Synchronous Door Operator (Car Top Installation)

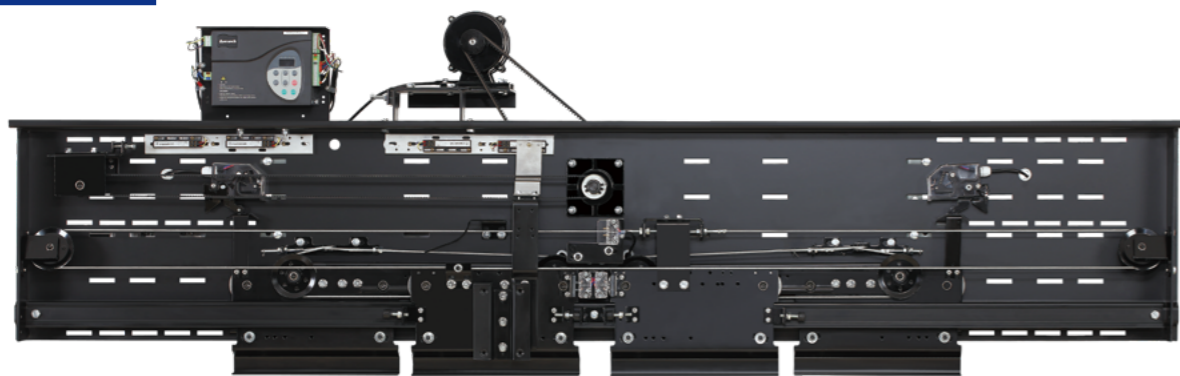


净开门宽 JJ	1400	1500	1600	1700	1800	1900	2000	2100	2200	2300	2400	2500	2600	2700	2800	2900	3000
A1L	2180	2330	2480	2630	2780	2930	3080	3230	3380	3530	3680	3830	3980	4130	4280	4430	4580
A3L	220	245	270	295	320	345	370	395	420	445	470	495	520	545	570	595	620
A	260	285	310	335	360	385	410	435	460	485	510	535	560	585	610	635	660

HB、HH、AS、EE、B、b、C 根据客户指令确定 According to the customer's order

中分双折三相变频异步门机

4-Leafs Center Opening VVVF
Asynchronous Door Operator



识别号: OMJ-05AX (轿架直梁式) OMJ-05BX (轿顶式)
 特征:
 ●采用一级减速同步带传动,无滑差,无需润滑,运行平稳噪音更低
 ●采用集成轿门锁功能的异步门刀,实现挂板上安装
 ●采用VVVF变频控制技术,性能可靠,调试简便

Serial NO: OMJ-05AX (Straight Beam Installation) OMJ-05BX (Car Top Installation)
 Feature:
 ● The synchronous belt drive directly, no slip, no lubrication, running smoothly in lower noise
 ● The asynchronous vane is equipped with door lock function, installation on door hanger
 ● VVVF control system, safe, reliable, easy to adjust

门控制器配置 (选配) Inverter(Optional):



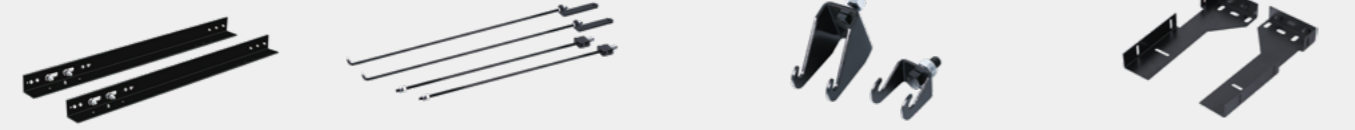
NICE-D-A-SOP4-OL

AA03040D-OL

AA03011DK

安装方式附件配置 Installation Attachment:

1. 轿架直梁安装 For Straight Beam Installation



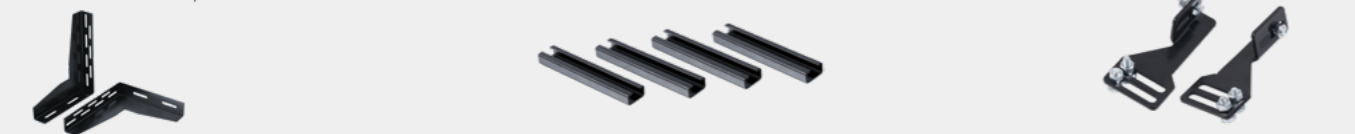
1.1 安装臂组件
Installation arm module
Drawing NO: OMJ05.5C

1.2 直拉杆组件 / 长拉杆组件
Straight tie-rod module / long tie-rod module
Drawing NO: OMJ02.6 / OMJ02.5

1.3 大拉钩 / 小拉钩
Big pull hook / small pull hook
Drawing NO: OMJ01.26 / OMJ01.32

1.4 安装侧板组件
Side bracket for installation
Drawing NO: OMJ05.1.1.1-2

2. 轿顶安装 For Car Top Installation

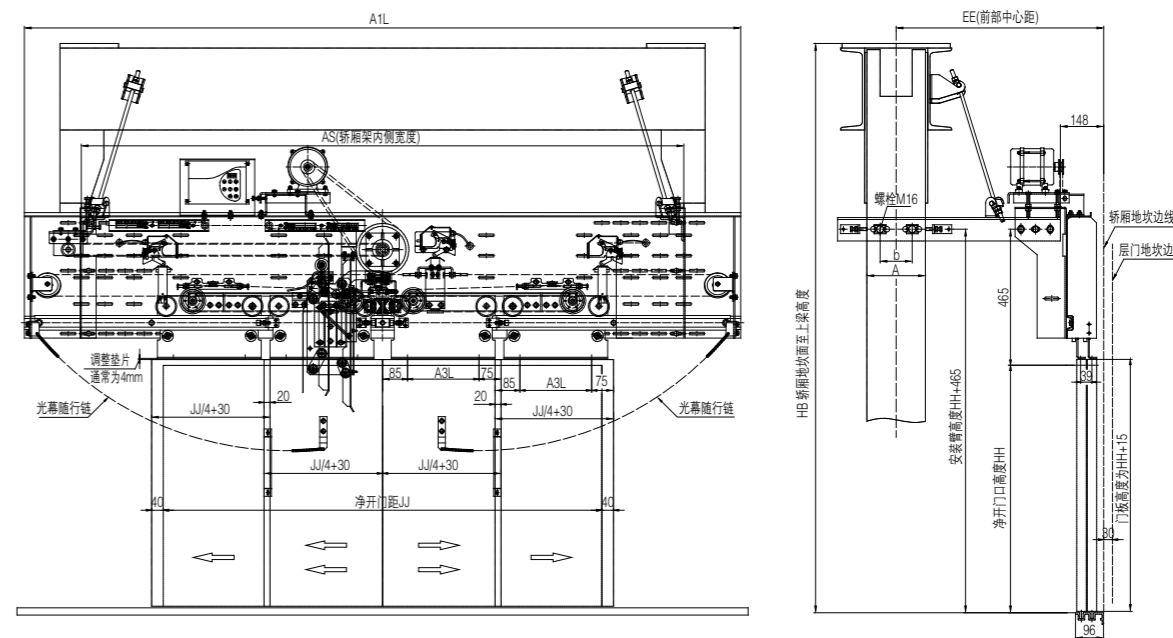


2.1 轿顶安装支架
Car top installation brackets
Drawing NO: OMJ05JD-1

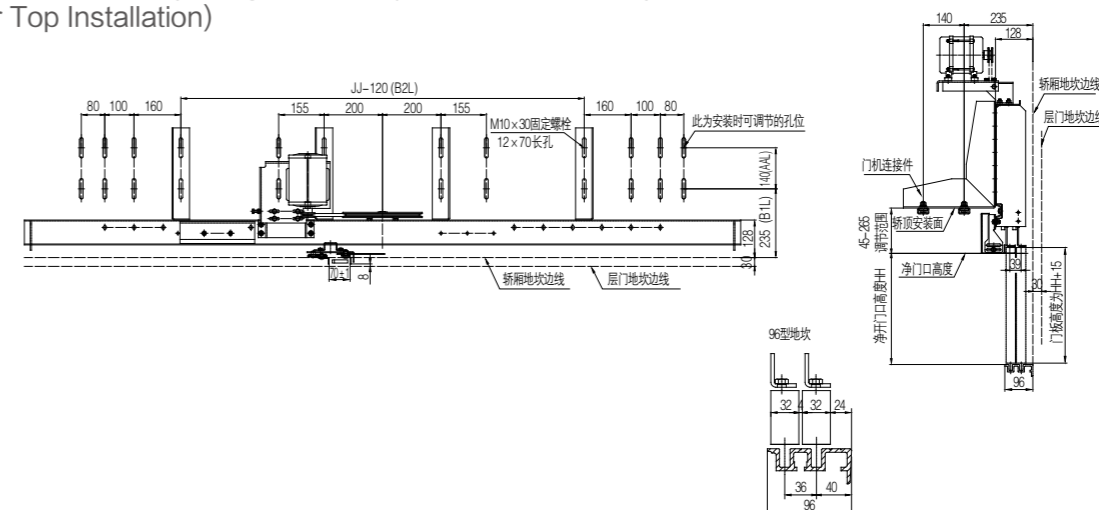
2.2 轿顶安装 C 型管 (选配)
Fixing pipe for car top installation(optional)
Drawing NO: OMJ01-03

2.3 加强安装支架
Strengthened installation bracket
Drawing NO: OMJ05B-1B

OMJ-05AX 中分双折三相变频异步门机 (轿架直梁式) 4-Leafs Center Opening VVVF Asynchronous Door Operator (Straight Beam Installation)



OMJ-05BX 中分双折三相变频异步门机 (轿顶式) 4-Leafs Center Opening VVVF Asynchronous Door Operator (Car Top Installation)



净开门口宽 JJ	1400	1500	1600	1700	1800	1900	2000	2100	2200	2300	2400	2500	2600	2700	2800	2900	3000
A1L	2300	2450	2600	2750	2900	3050	3200	3350	3500	3650	3800	3950	4100	4250	4400	4550	4700
A3L	220	245	270	295	320	345	370	395	420	445	470	495	520	545	570	595	620

HB、HH、AS、EE、B、b 根据客户指令确定 According to the customer's order

中分门系列
2 CO Door System

旁开双折门系列
2 SO Door System

中分双折门系列
4 CO Door System

别墅门系列
Home Lift Door System

中分高速门系列
2 CO High-speed Door System

三折门系列
3-Leafs Door System

旁开单折门系列
SO Door System

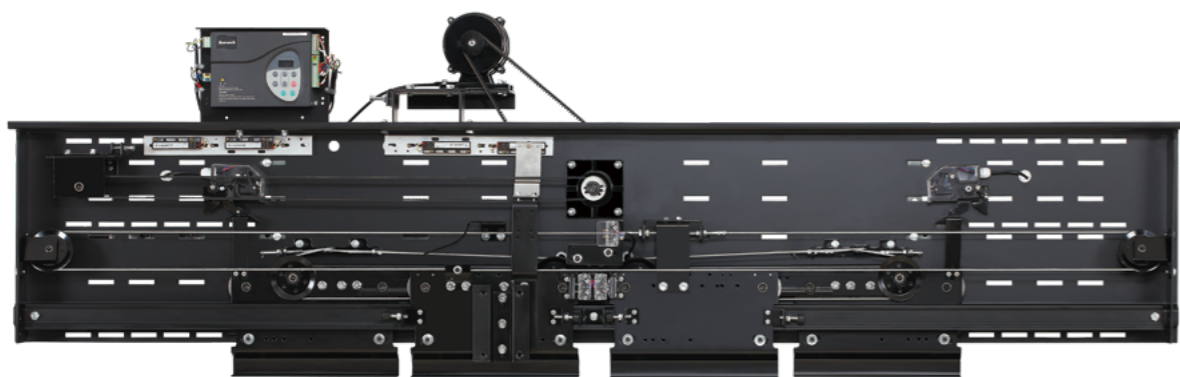
门扇 / 门套 / 地坎系列
Door Panel / Door Jamb / Sill

配件系列
Accessories

安全部件系列
Safety Device

中分双折三相变频异步门机

4-Leafs Center Opening VVVF
Asynchronous Door Operator



识别号: OMJ-05X (轿架直梁式) OMJ-05JDX (轿顶式)
 特征:
 ●采用一级减速同步带传动,无滑差,无需润滑,运行平稳噪音更低
 ●采用集成轿门锁功能的异步门刀,实现挂板上安装
 ●采用VVVF变频控制技术,性能可靠,调试简便

Serial NO: OMJ-05X (Straight Beam Installation) OMJ-05JDX (Car Top Installation)
 Feature:
 ● The synchronous belt drive directly, no slip, no lubrication, running smoothly in lower noise
 ● The asynchronous vane is equipped with door lock function, installation on door hanger
 ● VVVF control system, safe, reliable, easy to adjust

门控制器配置 (选配) Inverter(Optional):



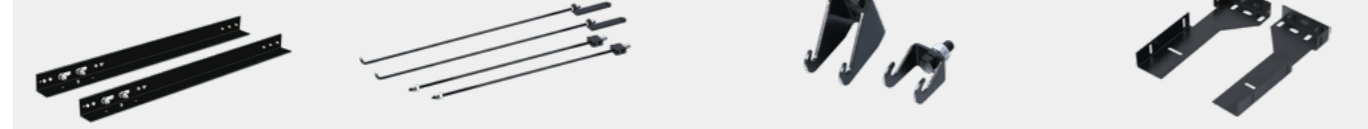
NICE-D-A-SOP4-OL2

AA03040D-OL

AA0311DK

安装方式附件配置 Installation Attachment:

1、轿架直梁安装 For Straight Beam Installation



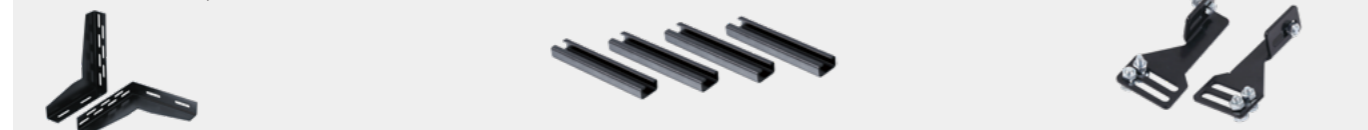
1.1 安装臂组件
Installation arm module
Drawing NO: OMJ05.5C

1.2 直拉杆组件 / 长拉杆组件
Straight tie-rod module / long tie-rod module
Drawing NO:OMJ02.6 / OMJ02.5

1.3 大拉钩 / 小拉钩
Big pull hook / small pull hook
Drawing NO: OMJ01.26 / OMJ01.32

1.4 安装侧板组件
Side bracket for installation
Drawing NO: OMJ05.1.1.1-2

2、轿顶安装 For Car Top Installation

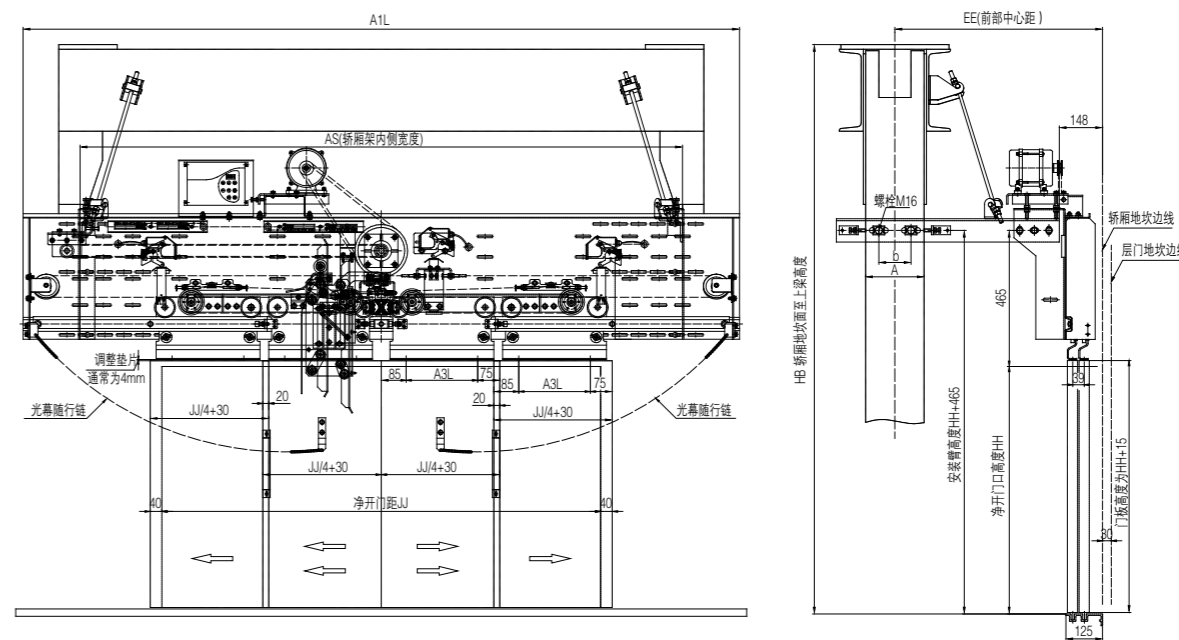


2.1 轿顶安装支架
Car top installation brackets
Drawing NO: OMJ05JD-1

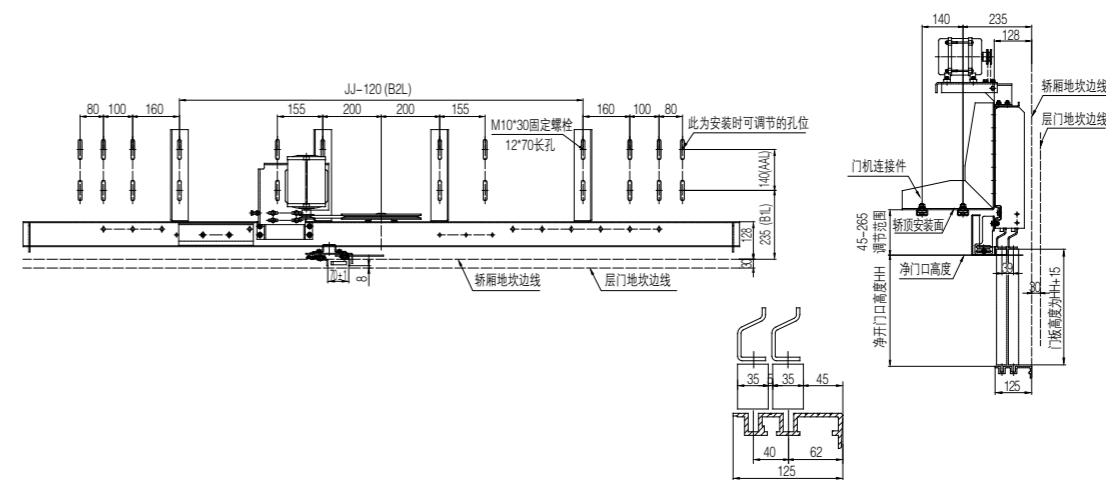
2.2 轿顶安装 C 型管 (选配)
Fixing pipe for car top installation(optional)
Drawing NO: OMJ01-03

2.3 加强安装支架
Strengthened installation bracket
Drawing NO: OMJ05JD-1B

OMJ-05X 中分双折三相变频异步门机 (轿架直梁式) 4-Leafs Center Opening VVVF Asynchronous Door Operator (Straight Beam Installation)



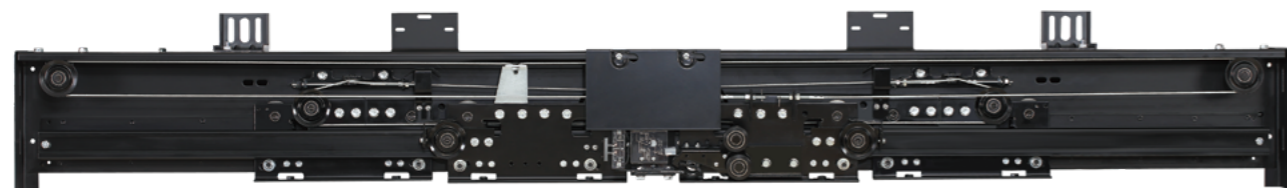
OMJ-05JDX 中分双折三相变频异步门机 (轿顶式) 4-Leafs Center Opening VVVF Asynchronous Door Operator (Car Top Installation)



净开宽度 JJ	1400	1500	1600	1700	1800	1900	2000	2100	2200	2300	2400	2500	2600	2700	2800	2900	3000
A1L	2300	2450	2600	2750	2900	3050	3200	3350	3500	3650	3800	3950	4100	4250	4400	4550	4700
A3L	220	245	270	295	320	345	370	395	420	445	470	495	520	545	570	595	620

中分双折层门装置

4-Leafs Center Opening Landing Door Device



识别号: OCM-05AX

- 特征:
- 采用重锤强迫关门方式, 重锤与导向管置于快开门板边缘
 - 开锁方式为门板上开锁, 通过 45Kg 摆锤冲击试验
 - 门锁通过国家电梯检测中心测试合格, 取得 CE、CU-TR 认证
 - 门锁适用电压: \leq AC230V、 \leq DC110V

Serial NO: OCM-05AX

- Feature:
- Closing by weight type, weight and guiding pipe fixed at two sides of landing panels
 - Unlocking hole on landing panel, passed 45kg pendulum impact test
 - Door lock qualified by the NATIONAL ELEVATOR INSPECTION CENTER, with CE、CU-TR certificate
 - Voltage for door lock: \leq AC230V、 \leq DC110V

主要附件图 / Accessories:



上坎架安装座 Installation stand
Drawing NO: OCM03.1-4

侧安装板 Side bracket for installation
Drawing NO: OCM05A.11

导向管槽 Guiding pipe
Drawing NO: OCM02A-1



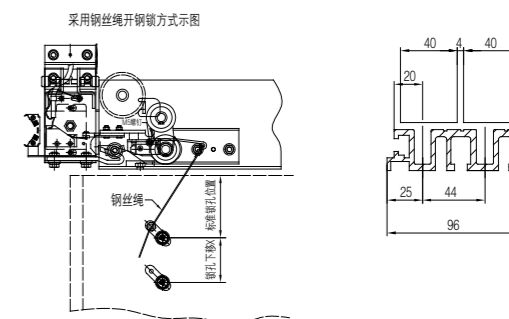
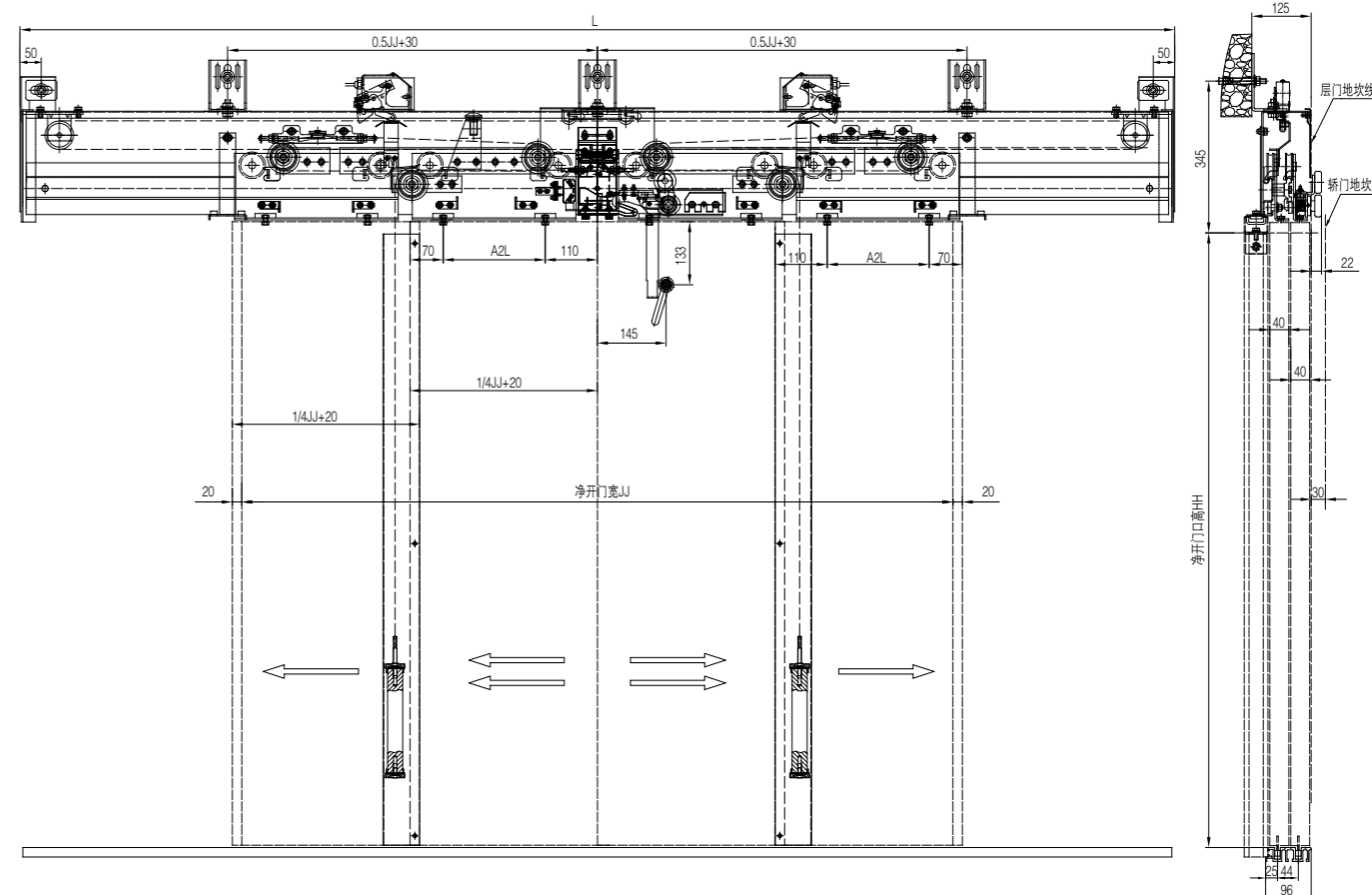
重锤组件 Weight module
Drawing NO: OCM05A.4

层门小零件组件 Spare parts
Drawing NO: OCM05AX.7

触点开关 Contact Switch
Drawing NO: M5000047

OCM-05AX 中分双折层门装置

4-Leafs Center Opening Landing Door Device



净开门宽 JJ	1400	1500	1600	1700	1800	1900	2000	2100	2200	2300	2400	2500	2600	2700	2800	2900	3000
L	2286	2436	2586	2736	2886	3036	3186	3336	3486	3636	3786	3936	4086	4236	4386	4536	4686
A2L	190	215	240	265	290	315	340	365	390	415	440	465	490	515	540	565	590

中分门系列
2 CO Door System

旁开双折门系列
2 SO Door System

中分双折门系列
4 CO Door System

别墅门系列
Home Lift Door System

中分高速门系列
2 CO High-speed Door System

三折门系列
3-Leafs Door System

旁开单折门系列
SO Door System

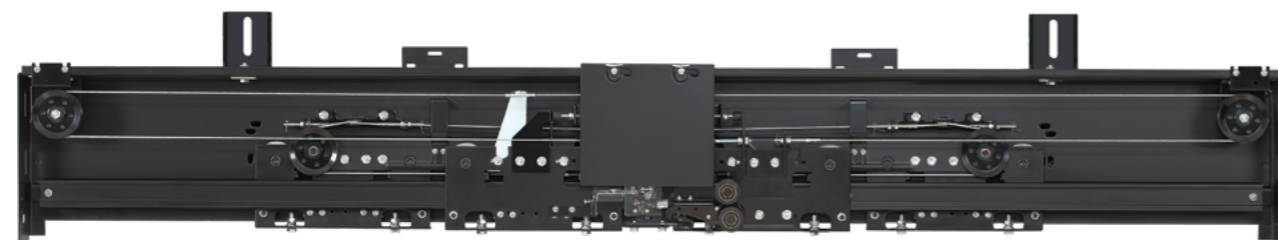
门扇 / 门套 / 地坎系列
Door Panel / Door Jamb / Sill

配件系列
Accessories

安全部件系列
Safety Device

中分双折层门装置

4-Leafs Center Opening Landing Door Device



识别号: OCM-05X
 特征:
 ●采用重锤强迫关门方式, 重锤与导向管置于层门装置两侧
 ●开锁方式为门板上开锁, 通过 45Kg 冲击摆锤试验
 ●门锁通过国家电梯检测中心测试合格, 取得 CE、CU-TR 认证
 ●门锁适用电压: ≤ AC230V、≤ DC110V

Serial NO: OCM-05X
 Feature:
 ● Closing by weight type, weight and guiding pipe fixed at two sides of landing device
 ● Unlocking hole on landing panel, passed 45kg pendulum impact test, and qualified by
 ● Door lock qualified by the NATIONAL ELEVATOR INSPECTION CENTER, with CE、CU-TR certificate
 ● Voltage for door lock: ≤ AC230V、≤ DC110V

主要附件图 / Accessories:



上坎架安装座 Installation stand
Drawing NO: OCM03.1-4

侧安装板 Side bracket for installation
Drawing NO: OCM05.2

导向管槽 Guiding pipe
Drawing NO: OCM05.3

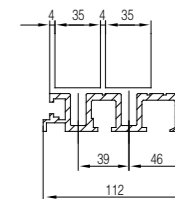
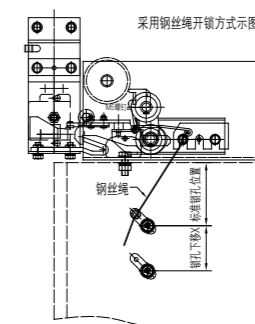
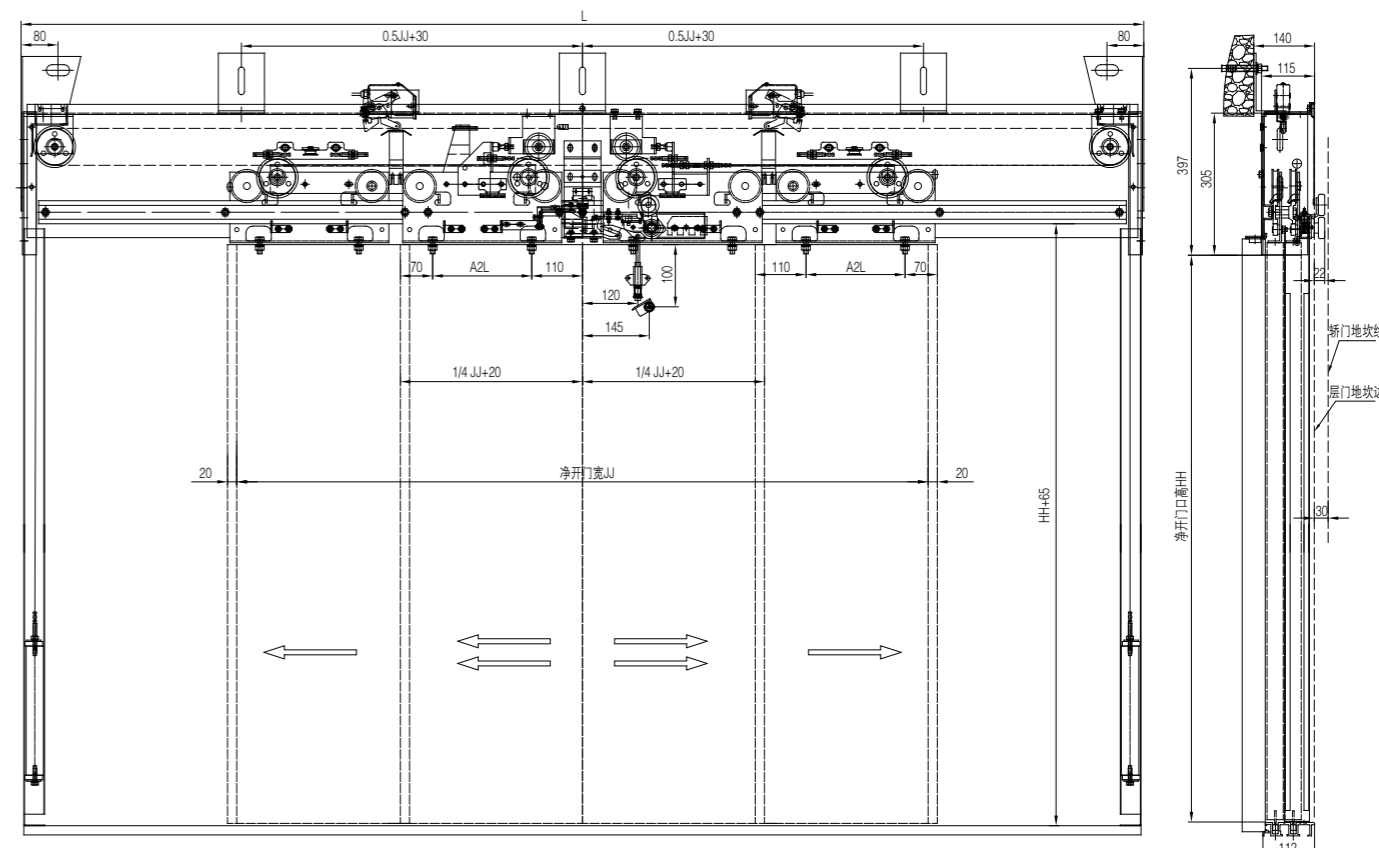


重锤组件 Weight module
Drawing NO: OCM05.4

层门小零件组件 Spare parts
Drawing NO: OCM05X.5

触点开关 Contact Switch
Drawing NO: M5000047

OCM-05X 中分双折层门装置 4-Leafs Center Opening Landing Door Device



净开门宽 JJ	1400	1500	1600	1700	1800	1900	2000	2100	2200	2300	2400	2500	2600	2700	2800	2900	3000
L	2286	2436	2586	2736	2886	3036	3186	3336	3486	3636	3786	3936	4086	4236	4386	4536	4686
A2L	190	215	240	265	290	315	340	365	390	415	440	465	490	515	540	565	590

中分门系列
2 CO Door System

旁开双折门系列
2 SO Door System

中分双折门系列
4 CO Door System

别墅门系列
Home Lift Door System

中分高速门系列
2 CO High-speed Door System

三折门系列
3-Leafs Door System

旁开单折门系列
SO Door System

门扇 / 门套 / 地坎系列
Door Panel / Door Jamb / Sill

配件系列
Accessories

安全部件系列
Safety Device

中分双折式层门装置 (防火型)

4-Leafs Center Opening Landing Door Device
(Fireproof Type)



- 识别号: OCM-05B (防火型)
- 特征:
- ◎符合 GB/T27903 120min 防火层门认证要求
 - ◎开锁方式为门板上开锁, 通过 45Kg 摆锤冲击试验
 - ◎采用重锤强迫关门方式, 重锤与导向管置于层门装置两侧
 - ◎门锁通过国家电梯检测中心测试合格, 取得 CE、CU-TR 认证
 - ◎门锁适用电压: $\leq AC230V$ 、 $\leq DC110V$

- Serial NO: OCM-05B (Fireproof Type)
- Feature:
- ◎ Quality conform to GB/T27903 120min fireproof certificate requirements
 - ◎ Unlocking hole on landing panel, passed 45kg pendulum impact test
 - ◎ Closing by weight type, weight and guiding pipe fixed at inner side of landing panel
 - ◎ Door lock qualified by the NATIONAL ELEVATOR INSPECTION CENTER, with CE、CU-TR certificate
 - ◎ Voltage for door lock: $\leq AC230V$ 、 $\leq DC110V$

主要附件图 / Accessories:



上坎架安装座 Installation stand
Drawing NO: OCM03.1-4

重锤组件 Weight module
Drawing NO: OCM05B.2

重锤导向管 Weight guiding pipe
Drawing NO: OCM05B-1



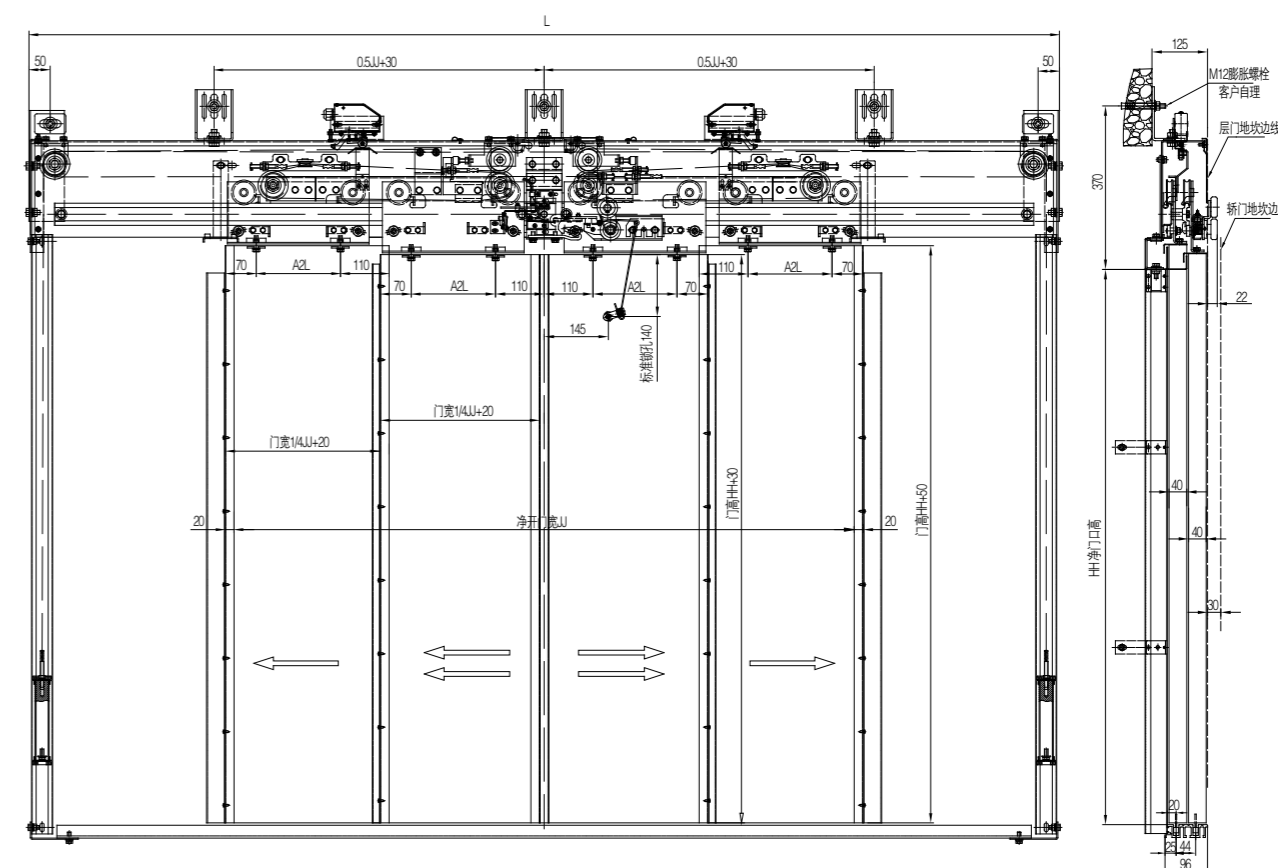
层门小封组件 Fixings
Drawing NO: OCM05B.5

侧安装板 Side bracket for installation
Drawing NO: OCM05A.11

1375E 层门开关 (防火) Landing switch (fireproof)
Drawing NO: BE-1375E

OCM-05B 中分双折式层门装置 (防火型)

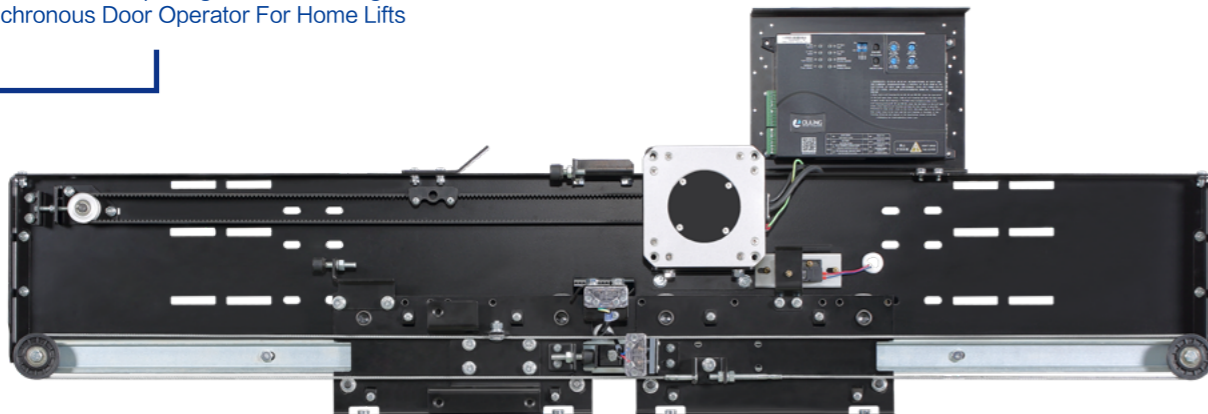
4-Leafs Center Opening Landing Door Device
(Fireproof Type)



净开门 JJ	1400	1500	1600	1700	1800	1900	2000	2100	2200	2300	2400	2500	2600	2700	2800	2900	3000
A1	2326	2476	2626	2776	2926	3076	3226	3376	3526	3676	3826	3976	4126	4276	4426	4576	4726
B1	190	215	240	265	290	315	340	365	390	415	440	465	490	515	540	565	590

中分永磁同步别墅梯门机

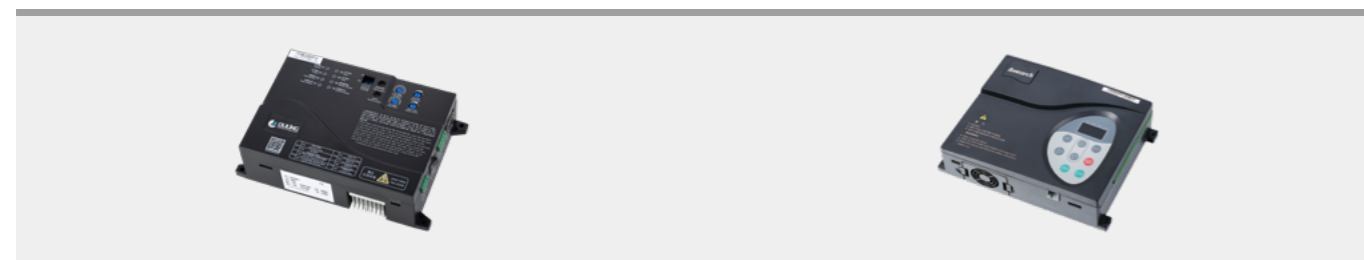
2-Leafs Center Opening Permanent Magnet Synchronous Door Operator For Home Lifts



- 识别号: OMJ-106A(轿顶式) OMJ-106C(前壁门楣式)
- 特征:
- 采用永磁同步电机, 额定转矩大, 高效节能环保
 - 采用集成轿门锁功能的同步门刀, 真正实现厅轿门同步开闭
 - 采用电机同步带直接传动, 门机运行平稳, 结构更紧凑
 - 采用全闭环伺服控制技术, 调试简便, 控制精度高
 - 门挂板设置防撞击脱落安全挂钩, 安全可靠
 - 可选配 60 型与 40 型地坎, 尤其适用别墅电梯

- Serial NO: OMJ-106A(Car Top Installation) OMJ-106C(On Car Front-Wall Installation)
- Feature:
- Using permanent magnet motor, wide torque range, high efficiency, environmental protection, energy saving
 - The synchronous belt drive directly, no slip, running smoothly in lower noise
 - The synchronous belt drive directly, running smoothly, more compact structure
 - Full-closed-loop control technology, safe, reliable and easy to adjust
 - The door hanger has a safety hook to prevent collision and fall off
 - Available options for 60 sill and 40 sill, especially for home lifts

门控制器配置 (选配) Inverter(Optional):



OLVF200-1

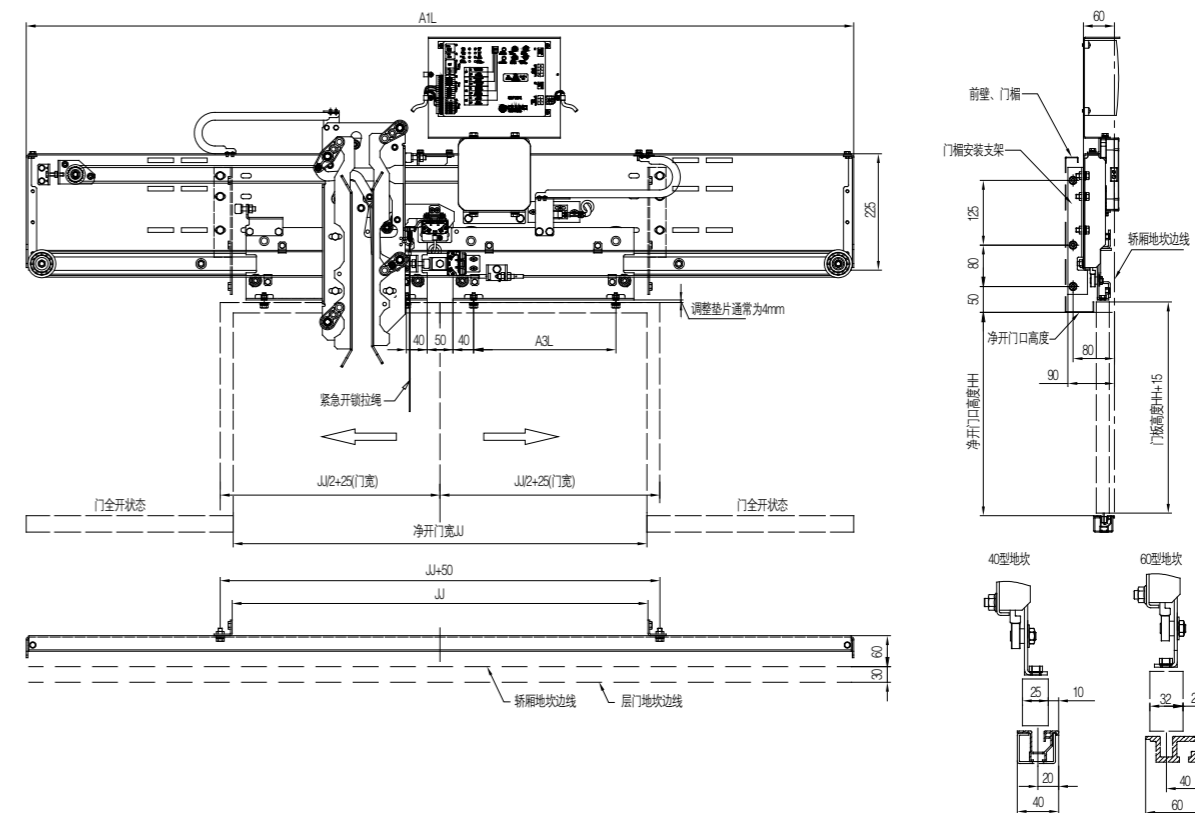
NICE-D-A-SOP4-OL2

安装方式附件配置 Installation Attachment:

<p>1、轿顶安装 For Car Top Installation</p> <p>1.1 轿顶安装支架 Car top installation brackets Drawing NO: M1002042</p> <p>1.2 轿顶安装 C 型管 (选配) Fixing pipe for car top installation(optional) Drawing NO: OMJ01-03</p>	<p>2、前壁门楣安装 For Car Front-Wall Installation</p> <p>2.1 门楣安装支架 Car front-wall installation brackets Drawing NO: M1060034</p>
---	---

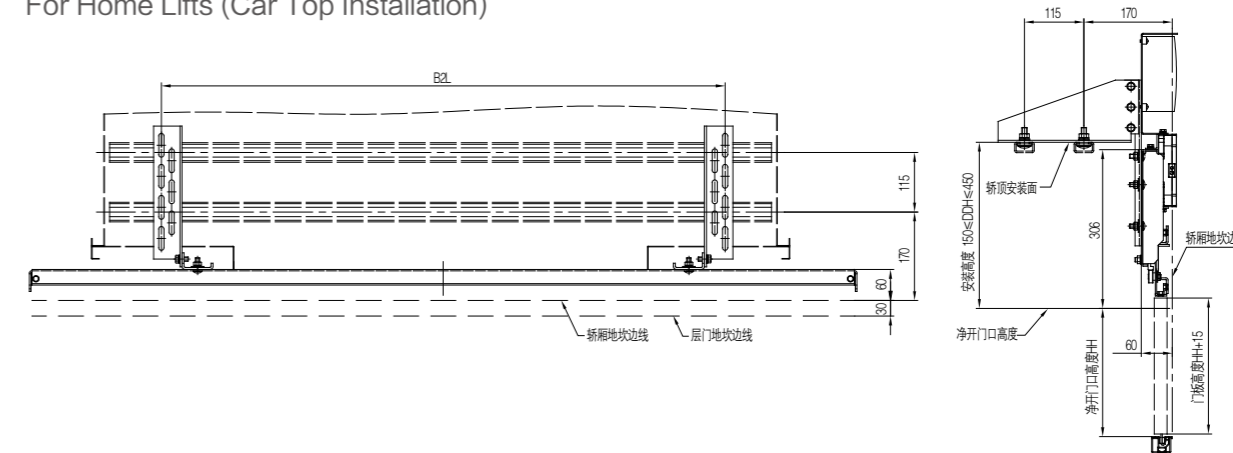
OMJ-106C 中分永磁同步别墅梯门机 (前壁门楣式)

2-Leafs Center Opening Permanent Magnet Synchronous Door Operator For Home Lifts (On Car Front-Wall Installation)



OMJ-106A 中分永磁同步别墅梯门机 (轿顶式)

2-Leafs Center Opening Permanent Magnet Synchronous Door Operator For Home Lifts (Car Top Installation)



净开门宽 JJ	600	650	700	750	800	850	900	950	1000	1050	1100	1150	1200
A1L	1200	1300	1400	1500	1600	1700	1800	1900	2000	2100	2200	2300	2400
A3L	175	200	225	250	275	300	325	350	375	400	425	450	475
B2L	890/1020	940/1070	990/1120	1040/1170	1090/1220	1140/1270	1190/1320	1240/1370	1290/1420	1340/1470	1390/1520	1440/1570	1490/1620

中分门系列
2 CO Door System

旁开双开门系列
2 SO Door System

中分双开门系列
4 CO Door System

别墅梯门系列
HomeLift Door System

中分高速梯门系列
2 CO High-speed Door System

三开门系列
3-Leafs Door System

旁开单开门系列
SO Door System

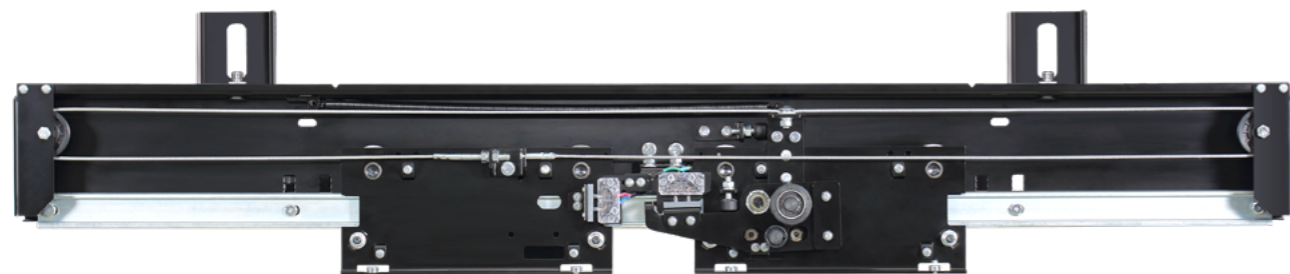
门楣/门套/地坎系列
Door Panel / Door Jamb / Sill

配件系列
Accessories

安全部件系列
Safety Device

中分式别墅梯层门装置 (拉簧式)

2-Leafs Center Opening Landing Door Device For Home Lifts
(Common Spring Type)



识别号: OCM-106

- 特征:
- ◎开锁方式为门套开锁, 通过 45Kg 摆锤冲击试验
 - ◎采用拉簧强迫关门方式, 关门拉簧置于层门装置内上侧
 - ◎地坎宽 40mm, 尤其适用别墅电梯

- ◎门锁通过国家电梯检测中心测试合格, 防护等级 IP2X
- ◎门锁适用电压: ≤ AC230V、≤ DC110V

Serial NO: OCM-106

- Feature:
- ◎ Unlocking hole on door jamb, passed 45kg pendulum impact test
 - ◎ Closing by spring type, spring assembled on inner top of landing device
 - ◎ Sill width is 40mm, especially for home lifts
 - ◎ Door lock qualified by the NATIONAL ELEVATOR INSPECTION CENTER, level of protection is IP2X
 - ◎ Voltage for door lock: ≤ AC230V、≤ DC110V

主要附件图 / Accessories:

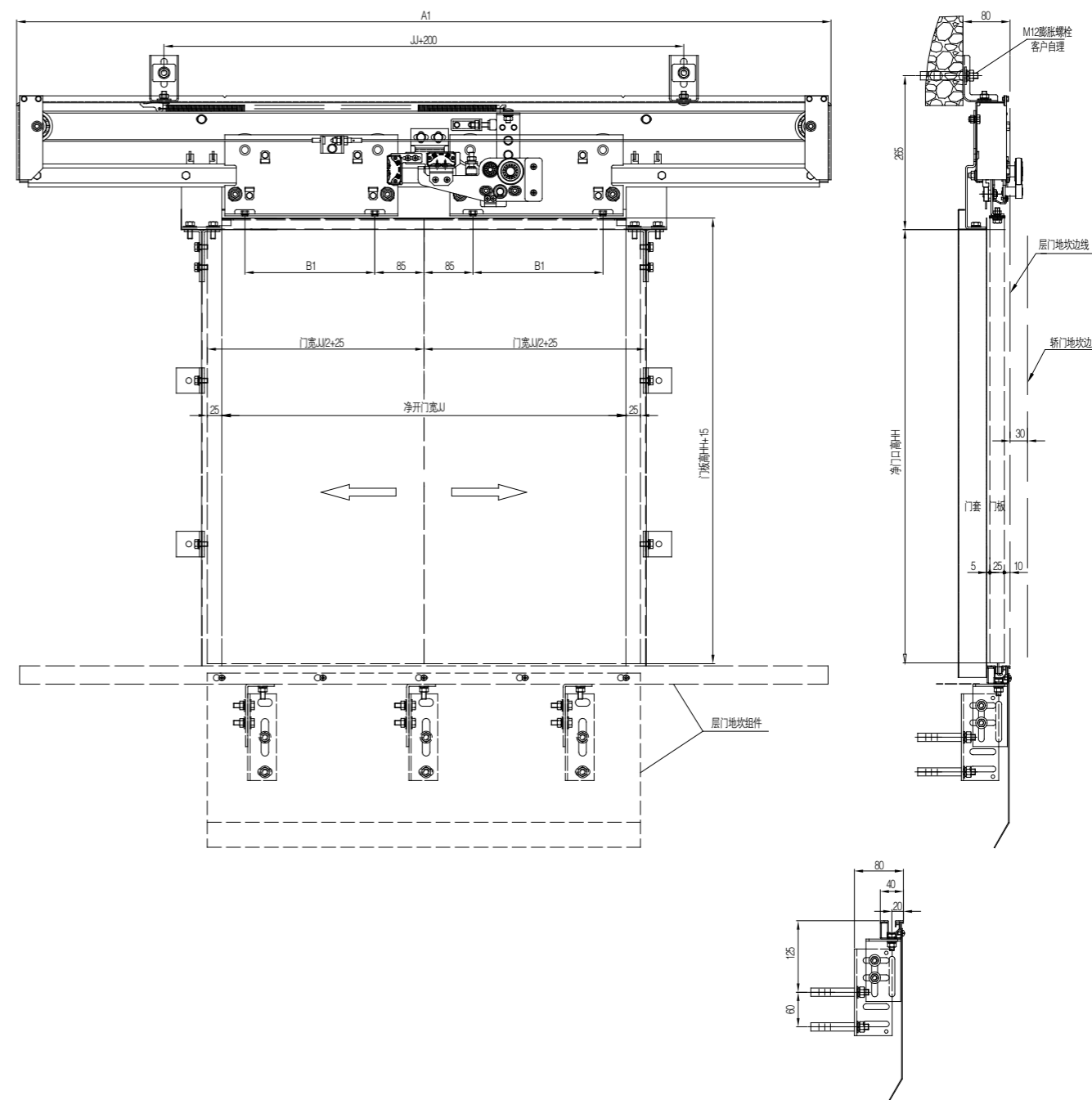


上坎安装架 Installation stand
Drawing NO: C1021001

层门小封包 Fixings
Drawing NO: C1061001

拉簧组件 Spring module
Drawing NO: C1060030

OCM-106 中分式别墅梯层门装置 (拉簧式) 2-Leafs Center Opening Landing Door Device For Home Lifts (Common Spring Type)

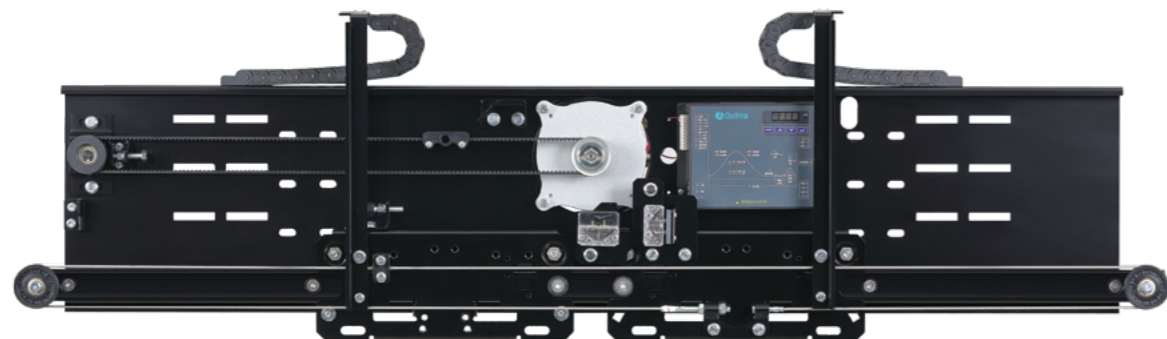


净开门 JJ	600	650	700	750	800	850	900	950	1000	1050	1100	1150	1200
A1	1210	1310	1410	1510	1610	1710	1810	1910	2010	2110	2210	2310	2410
B1	175	200	225	250	275	300	325	350	375	400	425	450	475

中分门系列 2 CO Door System
 旁开双折门系列 2 SO Door System
 中分双折门系列 4 CO Door System
 别墅梯门系列 Home Lift Door System
 中分高速梯门系列 2 CO High-speed Door System
 三折门系列 3-Leafs Door System
 旁开单折门系列 SO Door System
 门套 / 门套 / 地坎系列 Door Panel / Door Jamb / Sill
 配件系列 Accessories
 安全部件系列 Safety Device

中分永磁同步别墅梯门机

2-Leafs Center Opening Permanent Magnet Synchronous Door Operator For Home Lifts



识别号: OMJ-110C (前壁门楣式) OMJ-110A (轿顶式)

- 特征:
- 采用永磁同步电机, 额定转矩大, 高效节能环保
 - 采用集成轿门锁功能的同步门刀, 真正实现厅轿门同步开闭
 - 采用同步带直接传动, 无滑差, 运行平稳噪音更低
 - 采用全闭环伺服控制技术, 调试简便, 控制精度高
 - 门挂板设置防撞击脱落安全挂钩, 安全可靠
 - 整体结构更紧凑, 家用别墅梯首选

Serial NO: OMJ-110C (On Car Front-Wall Installation) OMJ-110A (Car Top Installation)

- Feature:
- Using permanent magnet motor, wide torque range, high efficiency, environmental protection, energy saving
 - The synchronous vane is equipped with door lock function, the door operator and landing door device 100% opened or closed synchronously
 - The synchronous belt drive directly, no slip, running smoothly in lower noise
 - Full-closed-loop control technology, safe, reliable and easy to adjust
 - The door hanger has a safety hook to prevent collision and fall off
 - The overall structure is more compact, suitable for villa elevator

门控制器配置 (选配) Inverter(Optional):

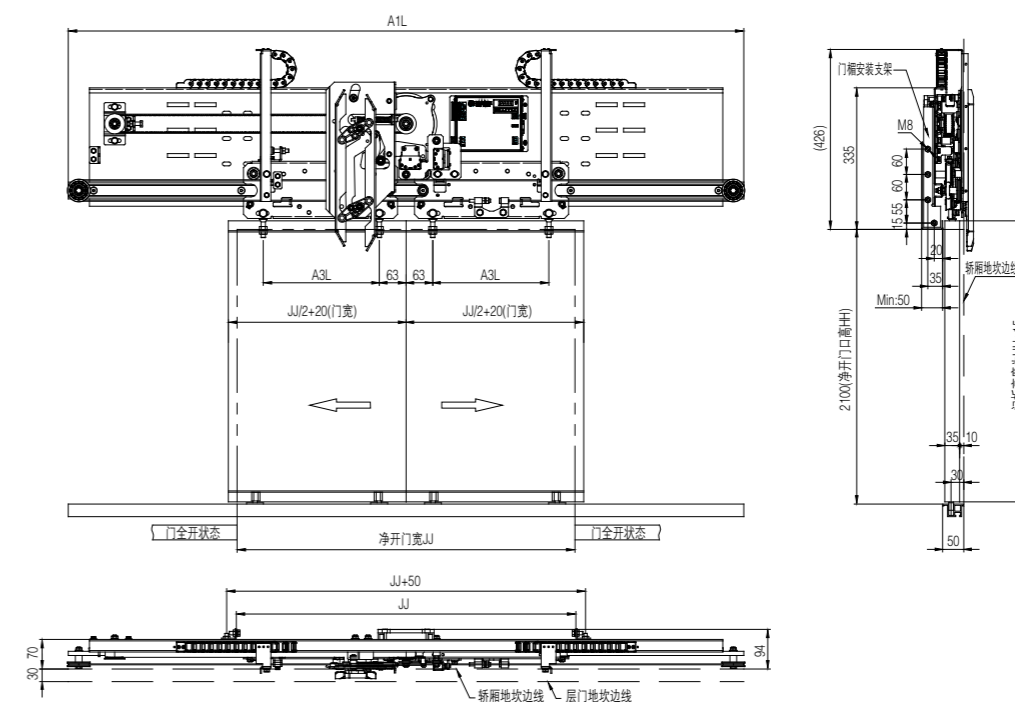


安装方式附件配置 Installation Attachment:

1、轿顶安装 For Car Top Installation	2、前壁门楣安装 For Car Front-Wall Installation
<p>1.1 轿顶安装支架 Car top installation brackets Drawing NO: M1002042</p> <p>1.2 轿顶安装 C 型管 (选配) Fixing pipe for car top installation(optional) Drawing NO: OMJ01-03</p>	<p>2.1 门楣安装支架 Car front-wall installation brackets Drawing NO: M1102001</p>

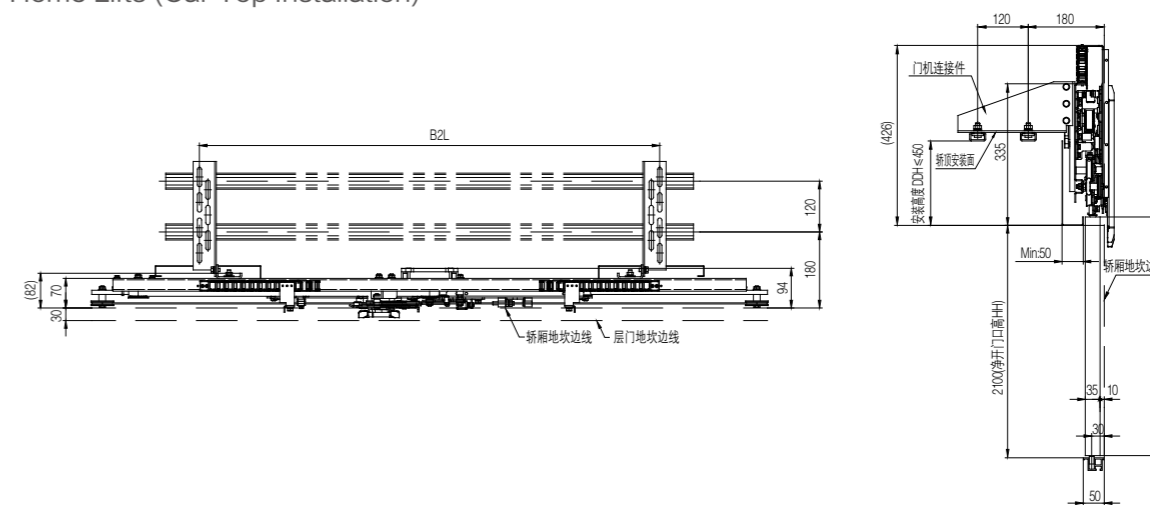
OMJ-110C 中分永磁同步别墅梯门机 (前壁门楣式)

2-Leafs Center Opening Permanent Magnet Synchronous Door Operator For Home Lifts (On Car Front-Wall Installation)



OMJ-110A 中分永磁同步别墅梯门机 (轿顶式)

2-Leafs Center Opening Permanent Magnet Synchronous Door Operator For Home Lifts (Car Top Installation)



JJ	600	650	700	750	800	850	900	950	1000	1050	1100	1150	1200
A1L	1200	1300	1400	1500	1600	1700	1800	1900	2000	2100	2200	2300	2400
A3L	175	200	225	250	275	300	325	350	375	400	425	450	475
B2L	890/1020	940/1070	990/1120	1040/1170	1090/1220	1140/1270	1190/1320	1240/1370	1290/1420	1340/1470	1390/1520	1440/1570	1490/1620

中分门系列
2-Leafs Door System

旁开双折门系列
2-Leafs Door System

中分双折门系列
4-Leafs Door System

别墅梯门系列
HomeLift Door System

中分高速梯门系列
2-Leafs High-speed Door System

三折门系列
3-Leafs Door System

旁开单折门系列
SO Door System

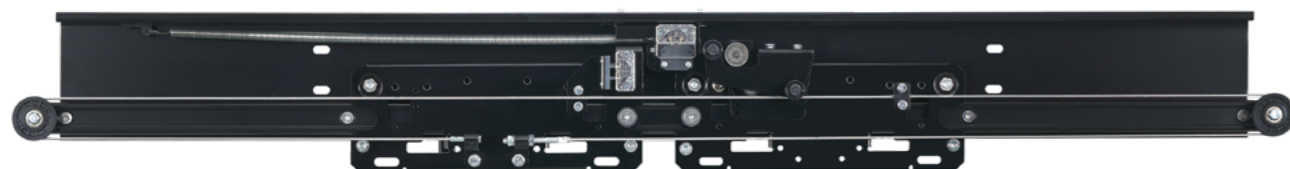
门楣/门套/地坎系列
Door Panel / Door Jamb / Sill

配件系列
Accessories

安全部件系列
Safety Device

中分式别墅梯层门装置 (拉簧式)

2-Leafs Center Opening Landing Door Device For Home Lifts
(Common Spring Type)



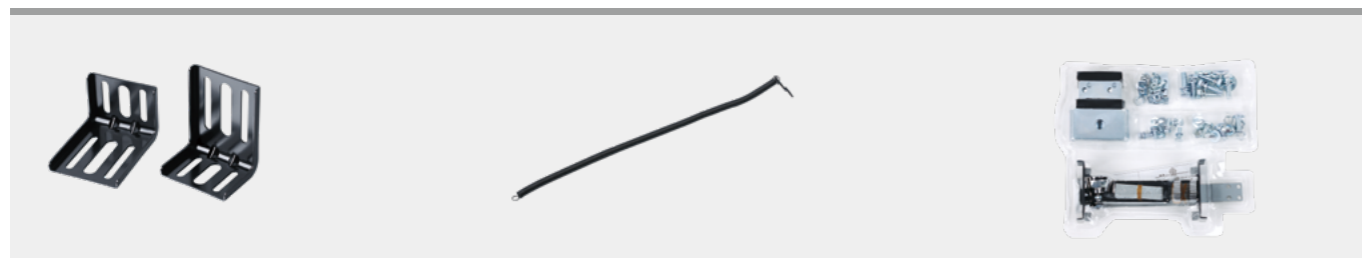
识别号: OCM-110D

- 特征:
- 开锁方式为门套上开锁, 通过 45Kg 摆锤冲击试验
 - 采用拉簧式强迫关门方式, 拉簧置于层门装置内上侧
 - 门锁通过国家电梯检测中心测试合格
 - 可配有有框玻璃门板
 - 门锁适用电压: $\leq AC230V$ 、 $\leq DC110V$

Serial NO: OCM-110D

- Feature:
- Unlocking hole on jamb, passed 45kg pendulum impact test
 - Closing by spring type, spring assembled on inner top of landing device
 - Door lock qualified by the NATIONAL ELEVATOR INSPECTION CENTER
 - Suitable for glass door panels
 - Voltage for door lock: $\leq AC230V$, $\leq DC110V$

主要附件图 / Accessories:



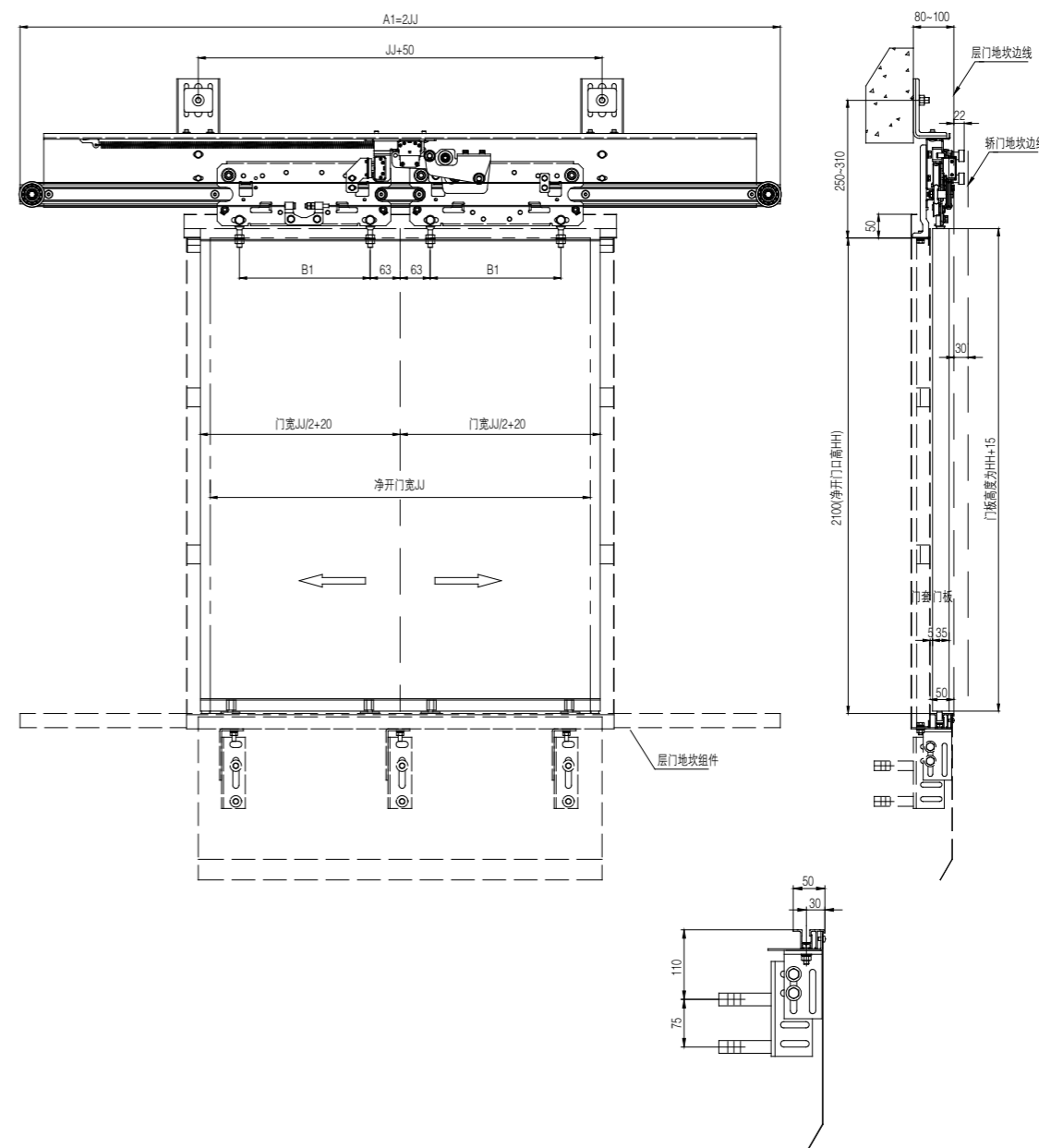
上坎安装架 Installation stand
Drawing NO: A1066E 100.7

拉簧组件 Spring module
Drawing NO: C1100019

层门小封包 Fixings
Drawing NO: C1101001

OCM-110D 中分式别墅梯层门装置 (拉簧式)

2-Leafs Center Opening Landing Door Device For Home Lifts
(Common Spring Type)



净开门 JJ	600	650	700	750	800	850	900	950	1000	1050	1100	1150	1200
A1	1200	1300	1400	1500	1600	1700	1800	1900	2000	2100	2200	2300	2400
B1	175	200	225	250	275	300	325	350	375	400	425	450	475

中分门系列
2 CO Door System

旁开双折门系列
2 SO Door System

中分双折门系列
4 CO Door System

别墅梯门系列
Home Lift Door System

中分高速梯门系列
2 CO High-speed Door System

三折门系列
3-Leafs Door System

旁开单折门系列
SO Door System

门扇 / 门套 / 地坎系列
Door Panel / Door Jamb / Sill

配件系列
Accessories

安全部件系列
Safety Device

旁开双折式永磁同步别墅梯门机

2-Leafs Side Opening Permanent Magnet Synchronous Door Operator For Home Lifts



- 识别号: OMJ-506A(轿顶式)
- 特征:
- 采用永磁同步电机, 额定转矩大, 高效节能环保
 - 采用集成轿门锁功能的同步门刀, 真正实现厅轿门同步开闭
 - 采用电机同步带直接传动, 门机运行平稳, 结构更紧凑
 - 采用全闭环伺服控制技术, 调试简便, 控制精度高
 - 门挂板设置防撞击脱落安全挂钩, 安全可靠
 - 地坎宽度 70mm, 尤其适用别墅电梯

Serial NO: OMJ-506A(Car Top Installation)

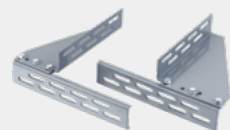
- Feature:
- Using permanent magnet motor, wide torque range, high efficiency, environmental protection, energy saving
 - The synchronous belt drive directly, no slip, running smoothly in lower noise
 - The synchronous belt drive directly, running smoothly, more compact structure
 - Full-closed-loop control technology, safe, reliable and easy to adjust
 - The door hanger has a safety hook to prevent collision and fall off
 - Sill width is 70mm, especially for home lifts

门控制器配置 (选配) Inverter(Optional):

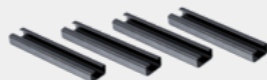


安装方式附件配置 Installation Attachment:

轿顶安装 For Car Top Installation



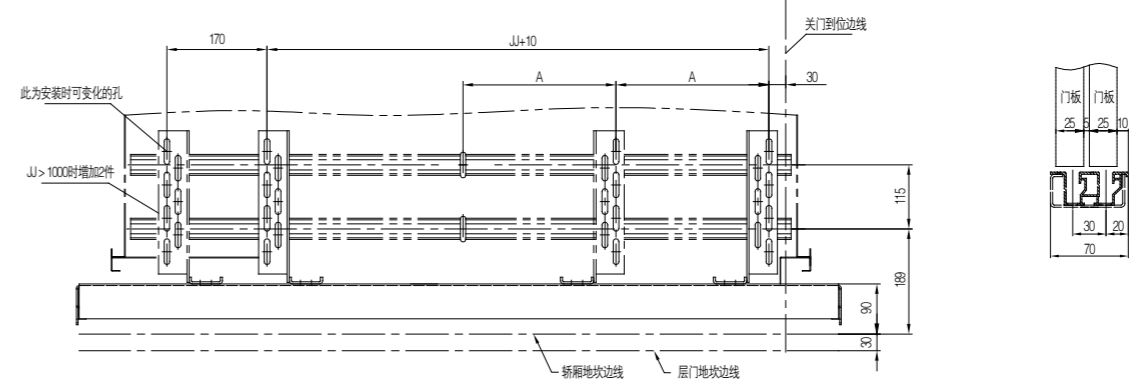
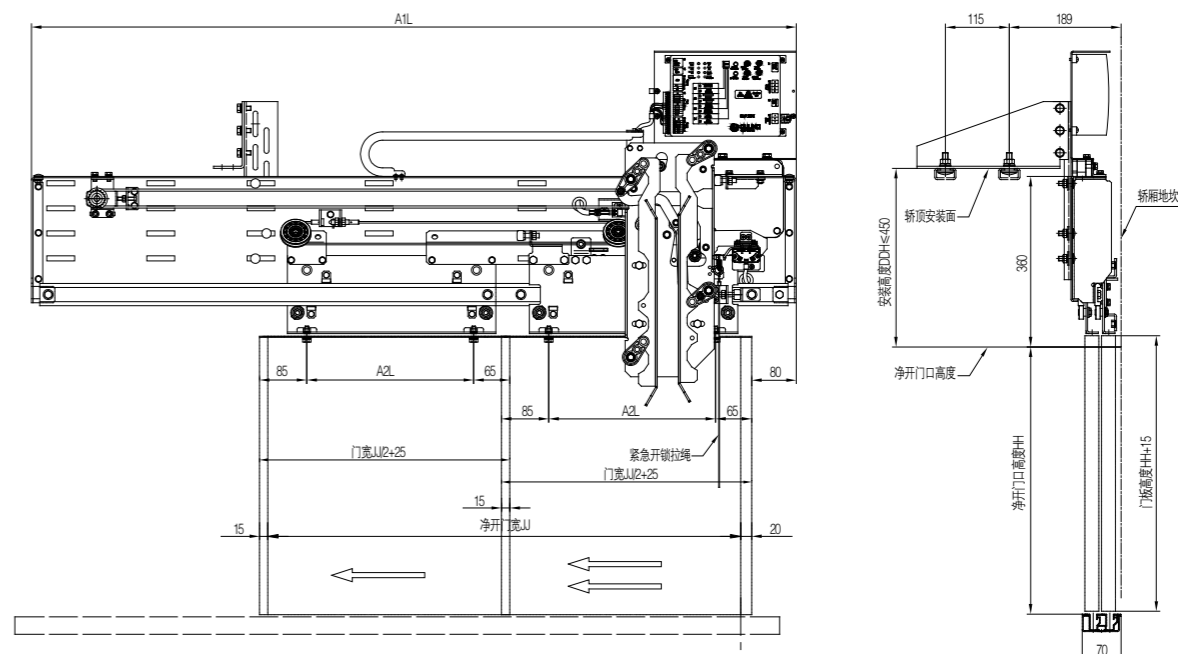
1.1 轿顶安装支架
Car top installation brackets
Drawing NO: M1002042



1.2 轿顶安装 C 型管 (选配)
Fixing pipe for car top installation(optional)
Drawing NO: OMJ01-03

OMJ-506A 旁开双折式永磁同步别墅梯门机 (轿顶式)

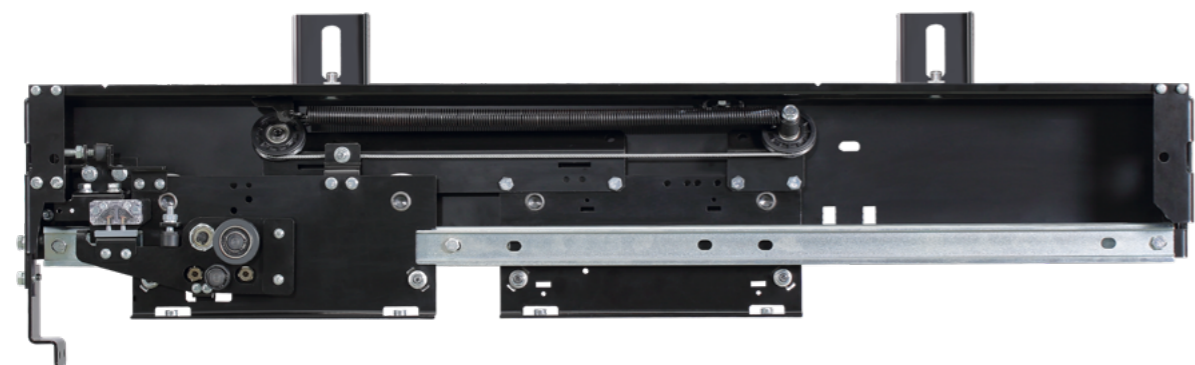
2-Leafs Side Opening Permanent Magnet Synchronous Door Operator For Home Lifts (Car Top Installation)



净开门口宽 JJ	600	650	700	750	800	850	900	950	1000	1050	1100	1150	1200
A1L	1000	1075	1150	1225	1300	1375	1450	1525	1600	1675	1750	1825	1900
A2L	175	200	225	250	275	300	325	350	375	400	425	450	475
A	150	175	200	225	250	275	300	325	350	375	400	425	450

旁开双折式别墅梯层门装置 (拉簧式)

2-Leafs Side Opening Landing Door Device For Home Lifts
(Common Spring Type)



识别号: OCM-506

- 特征:
- 开锁方式为门套开锁, 通过 45Kg 摆锤冲击试验
 - 采用拉簧强迫关门方式, 关门拉簧置于层门装置内上侧
 - 门锁通过国家电梯检测中心测试合格, 防护等级 IP2X
 - 门锁适用电压: $\leq AC230V$ 、 $\leq DC110V$
 - 地坎宽 70mm, 尤其适用别墅电梯

Serial NO: OCM-506

- Feature:
- Unlocking hole on door jamb, passed 45kg pendulum impact test
 - Closing by spring type, spring assembled on inner top of landing device
 - Sill width is 70mm, especially for home lifts
 - Door lock qualified by the NATIONAL ELEVATOR INSPECTION CENTER, level of protection is IP2X
 - Voltage for door lock: $\leq AC230V$ 、 $\leq DC110V$

主要附件图 / Accessories:



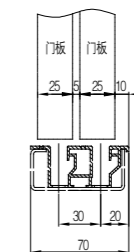
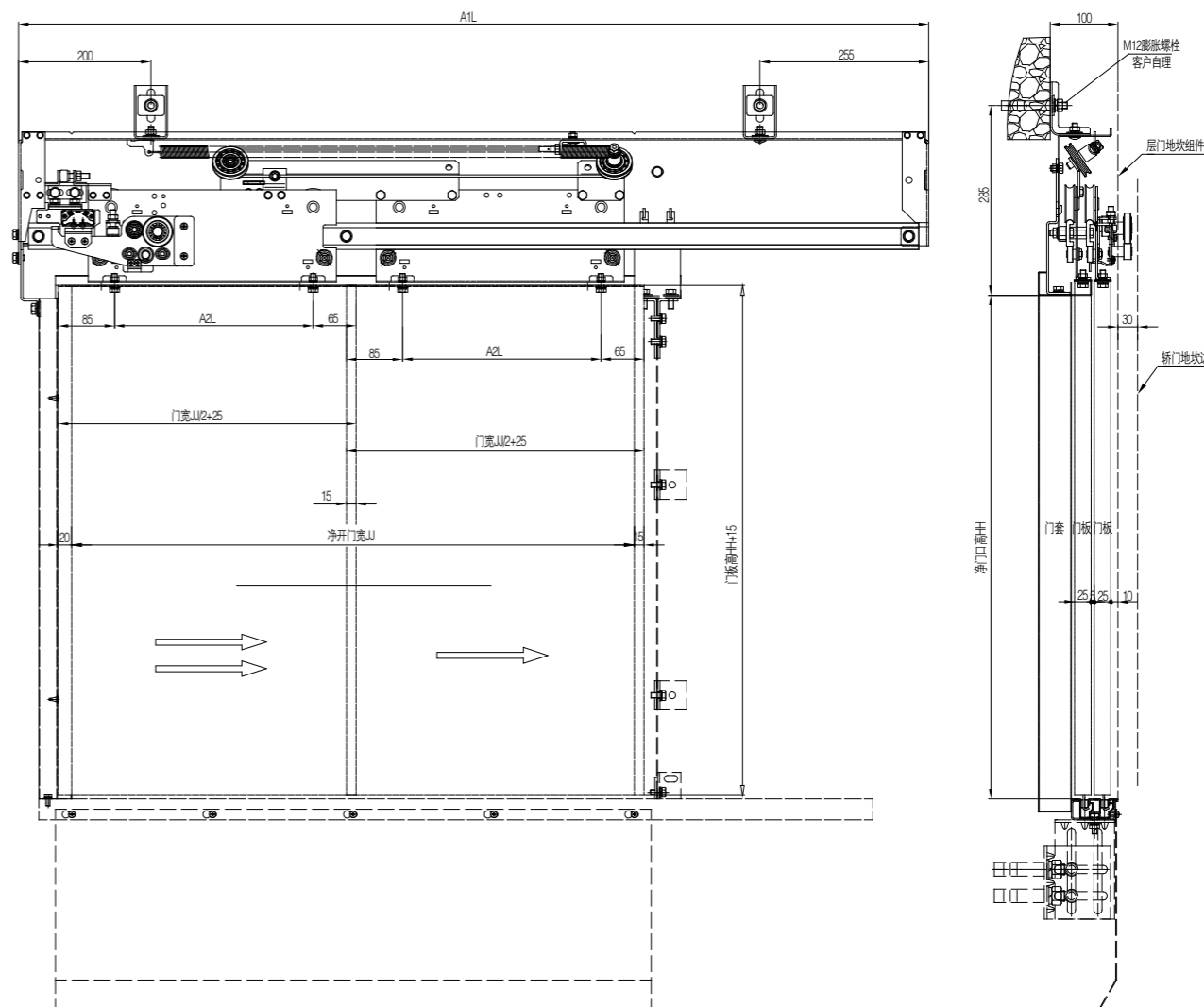
上坎安装架 Installation stand
Drawing NO: C1021001

层门小封包 Fixings
Drawing NO: C5061001

拉簧组件 Spring module
Drawing NO: C5060018

OCM-506 旁开双折式别墅梯层门装置 (拉簧式)

2-Leafs Side Opening Landing Door Device For Home Lifts
(Common Spring Type)



净开门宽 JJ	600	650	700	750	800	850	900	950	1000	1050	1100	1150	1200
A1L	1000	1075	1150	1225	1300	1375	1450	1525	1600	1675	1750	1825	1900
A2L	175	200	225	250	275	300	325	350	375	400	425	450	475

中分门系列
2 CO Door System

旁开双折门系列
2 SO Door System

中分双折门系列
4 CO Door System

别墅梯门系列
HomeLift Door System

中分高速门系列
2 CO High-speed Door System

三折门系列
3-Leafs Door System

旁开单折门系列
SO Door System

门扇 / 门套 / 地坎系列
Door Panel / Door Jamb / Sill

配件系列
Accessories

安全部件系列
Safety Device

中分双折式永磁同步别墅梯门机

4-Leafs Center Opening Permanent Magnet Synchronous Door Operator For Home Lifts

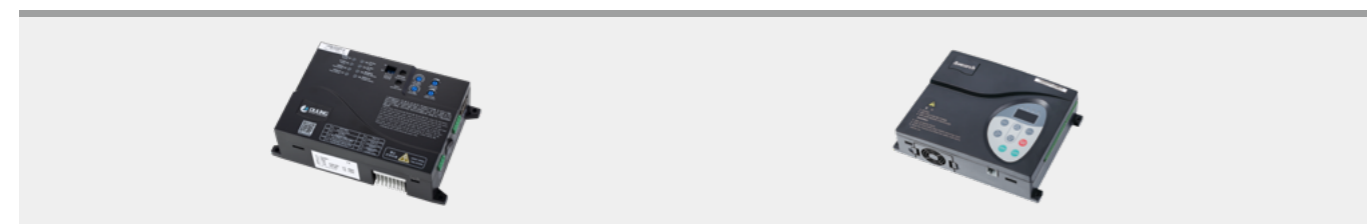


- 识别号: OMJ-206A(轿顶式)
- 特征:
- 采用永磁同步电机, 额定转矩大, 高效节能环保
 - 采用集成轿门锁功能的同步门刀, 真正实现厅轿门同步开闭
 - 采用电机同步带直接传动, 门机运行平稳, 结构更紧凑
 - 采用全闭环伺服控制技术, 调试简便, 控制精度高
 - 门挂板设置防撞击脱落安全挂钩, 安全可靠
 - 地坎宽度 70mm, 尤其适用别墅电梯

Serial NO: OMJ-206A(Car Top Installation)

- Feature:
- Using permanent magnet motor, wide torque range, high efficiency, environmental protection, energy saving
 - The synchronous belt drive directly, no slip, running smoothly in lower noise
 - The synchronous belt drive directly, running smoothly, more compact structure
 - Full-closed-loop control technology, safe, reliable and easy to adjust
 - The door hanger has a safety hook to prevent collision and fall off
 - Sill width is 70mm, especially for home lifts

门控制器配置 (选配) Inverter(Optional):

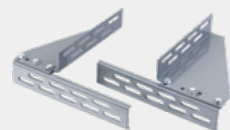


OLVF200-1

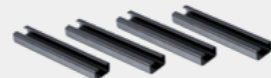
NICE-D-A-SOP4-OL2

安装方式附件配置 Installation Attachment:

轿顶安装 For Car Top Installation



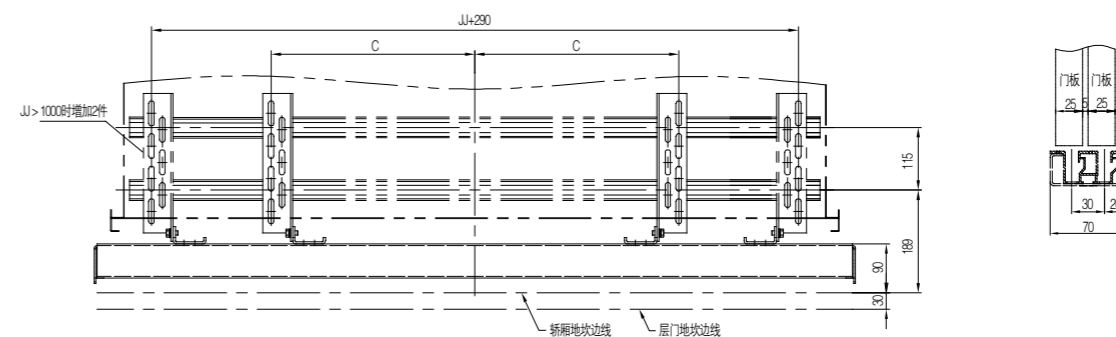
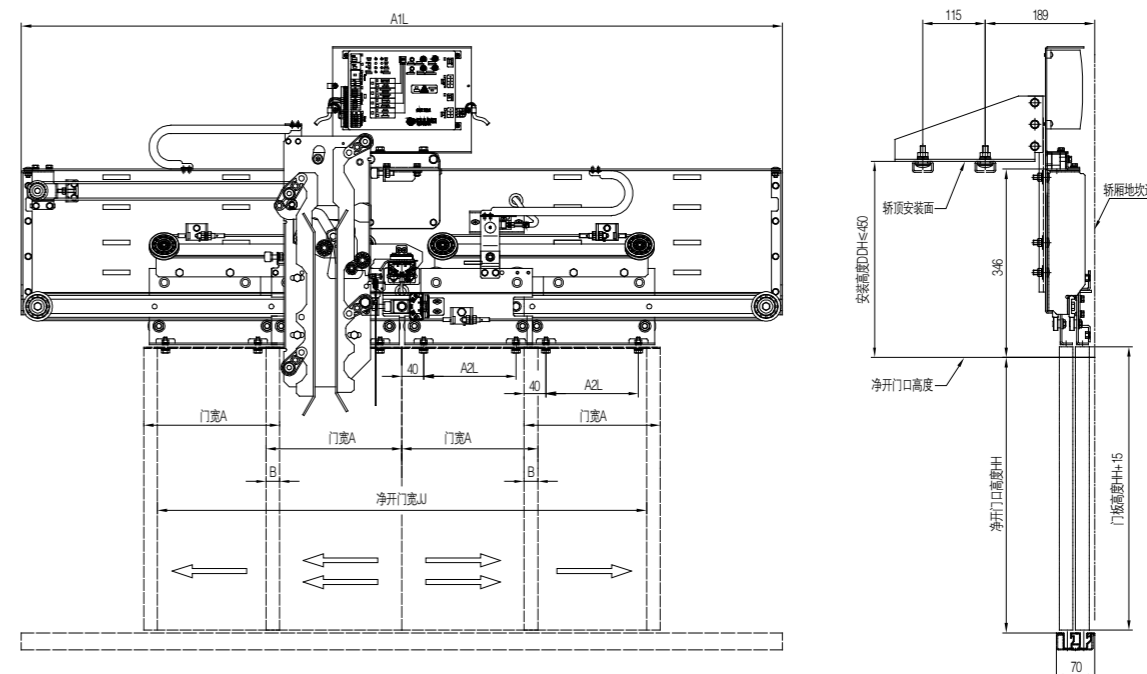
1.1 轿顶安装支架
Car top installation brackets
Drawing NO: M1002042



1.2 轿顶安装 C 型管 (选配)
Fixing pipe for car top installation(optional)
Drawing NO: OMJ01-03

OMJ-206A 中分双折式永磁同步别墅梯门机 (轿顶式)

4-Leafs Center Opening Permanent Magnet Synchronous Door Operator For Home Lifts (Car Top Installation)



净开门宽 JJ	600	650	700	750	800	850	900	950	1000	1050	1100	1150	1200
A1L	1050	1100	1150	1200	1250	1325	1400	1475	1550	1625	1700	1775	1850
A2L	145	145	145	145	145	157.5	170	182.5	195	207.5	220	232.5	245
A	225	225	225	225	225	237.5	250	262.5	275	287.5	300	312.5	325
B	75	62.5	50	37.5	25	25	25	25	25	25	25	25	25
C	300	312.5	325	337.5	350	362.5	375	387.5	400	412.5	425	437.5	450

中分门系列
2 CO Door System

旁开双折门系列
2 SO Door System

中分双折门系列
4 CO Door System

别墅梯门系列
HomeLift Door System

中分高速梯门系列
2CO High-speed Door System

三折门系列
3-Leafs Door System

旁开单折门系列
SO Door System

门扇/门套/地坎系列
Door Panel / Door Jamb / Sill

配件系列
Accessories

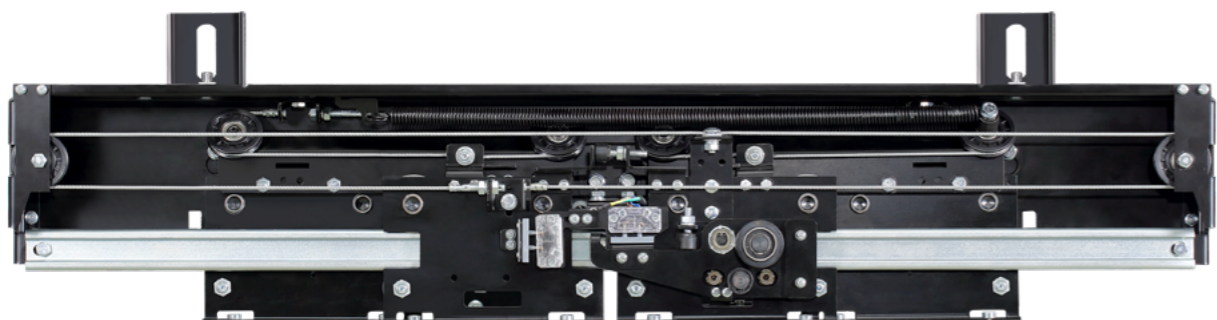
安全部件系列
Safety Device

中分双折式别墅梯层门装置 (拉簧式)

4-Leafs Center Opening Landing Door Device For Home lifts
(Common Spring Type)

OCM-206 中分双折式别墅梯层门装置 (拉簧式)

4-Leafs Center Opening Landing Door Device For Home lifts
(Common Spring Type)



识别号: OCM-206
特征: 采用拉簧强迫关门方式, 关门拉簧置于层门装置内上侧
开锁方式为门套开锁, 地坎宽 70mm, 尤其适用别墅电梯

门锁通过国家电梯检测中心测试合格, 防护等级 IP2X
门锁适用电压: \leq AC230V、 \leq DC110V

Serial NO: OCM-206
Feature: Closing by spring type, spring assembled on inner top of landing device
Unlocking hole on door jamb, sill width is 70mm, especially for home lifts
Door lock qualified by the NATIONAL ELEVATOR INSPECTION CENTER, level of protection is IP2X
Voltage for door lock: \leq AC230V、 \leq DC110V

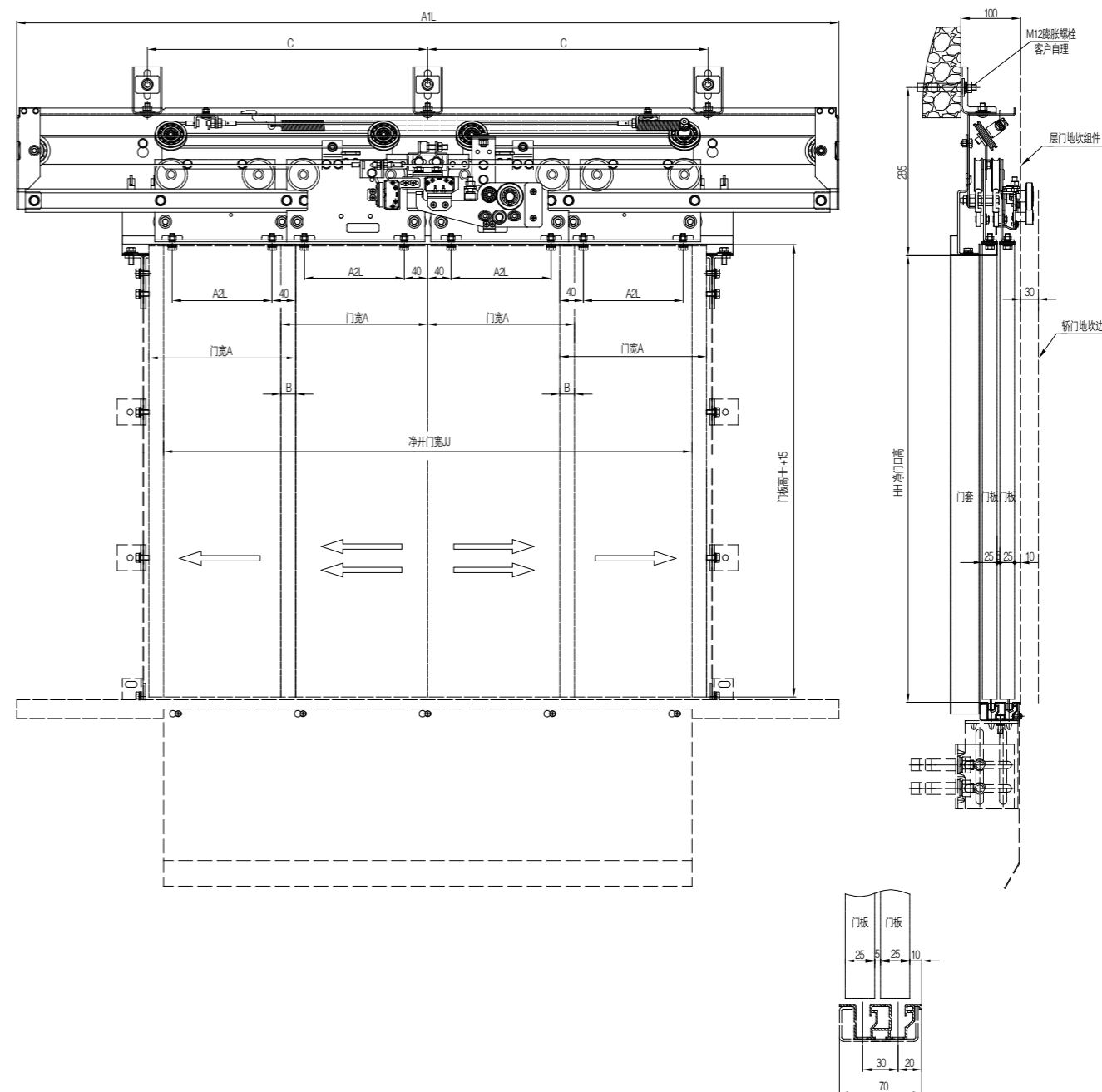
主要附件图 / Accessories:



上坎安装架 Installation stand
Drawing NO: C1021001

层门小封包 Fixings
Drawing NO: C2061001

拉簧组件 Spring module
Drawing NO: C5060018



净开门宽 JJ	600	650	700	750	800	850	900	950	1000	1050	1100	1150	1200
A1L	1050	1100	1150	1200	1250	1325	1400	1475	1550	1625	1700	1775	1850
A2L	145	145	145	145	145	157.5	170	182.5	195	207.5	220	232.5	245
A	225	225	225	225	225	237.5	250	262.5	275	287.5	300	312.5	325
B	75	62.5	50	37.5	25	25	25	25	25	25	25	25	25
C	377.5	390	402.5	415	427.5	452.5	477.5	502.5	527.5	552.5	577.5	602.5	627.5

中分门系列
2 CO Door System

旁开双折门系列
2 SO Door System

中分双折门系列
4 CO Door System

别墅梯门系列
Home Lift Door System

中分高速梯门系列
2 CO High-speed Door System

三折门系列
3-Leafs Door System

旁开单折门系列
SO Door System

门套 / 门套 / 地坎系列
Door Jamb / Door Jamb / Sill

配件系列
Accessories

安全部件系列
Safety Device

中分式永磁同步高速梯门机

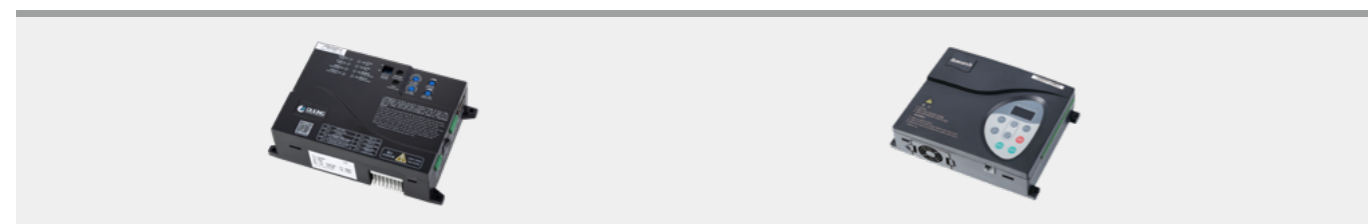
2-Leafs Center Opening Permanent Magnet Synchronous High-speed Lift Door Operator



- 识别号: OMJ-120A(轿顶式)
- 特征:
- 采用永磁同步电机, 额定转矩大, 高效节能环保
 - 采用集成轿门锁功能的双同步门刀结构, 真正实现厅轿门同步开闭
 - 采用冷轧型材导轨, 载重效果佳, 门板为迷宫型结构方式
 - 采用全闭环伺服控制技术, 调试简便, 控制精度高
 - 门挂板设置防撞击脱落安全挂钩, 安全可靠
 - 适用电梯运行速度可达到 8m/s

- Serial NO: OMJ-120A(Car Top Installation)
- Feature:
- Using permanent magnet motor, wide torque range, high efficiency, environmental protection, energy saving.
 - The synchronous vane is equipped with door lock function, the door operator and landing door device 100% opened or closed synchronously
 - Using cold rolling profile, with good load effect, labyrinth-structure type door panel
 - Full-closed-loop control technology, safe, reliable and easy to adjust
 - The door hanger has a safety hook to prevent collision and fall off
 - Applicable lift speed can reach to 8m/s

门控制器配置 (选配) Inverter(Optional):

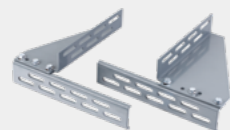


OLVF200-1

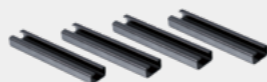
NICE-D-A-SOP4-OL2

安装方式附件配置 Installation Attachment:

轿顶安装 For Car Top Installation



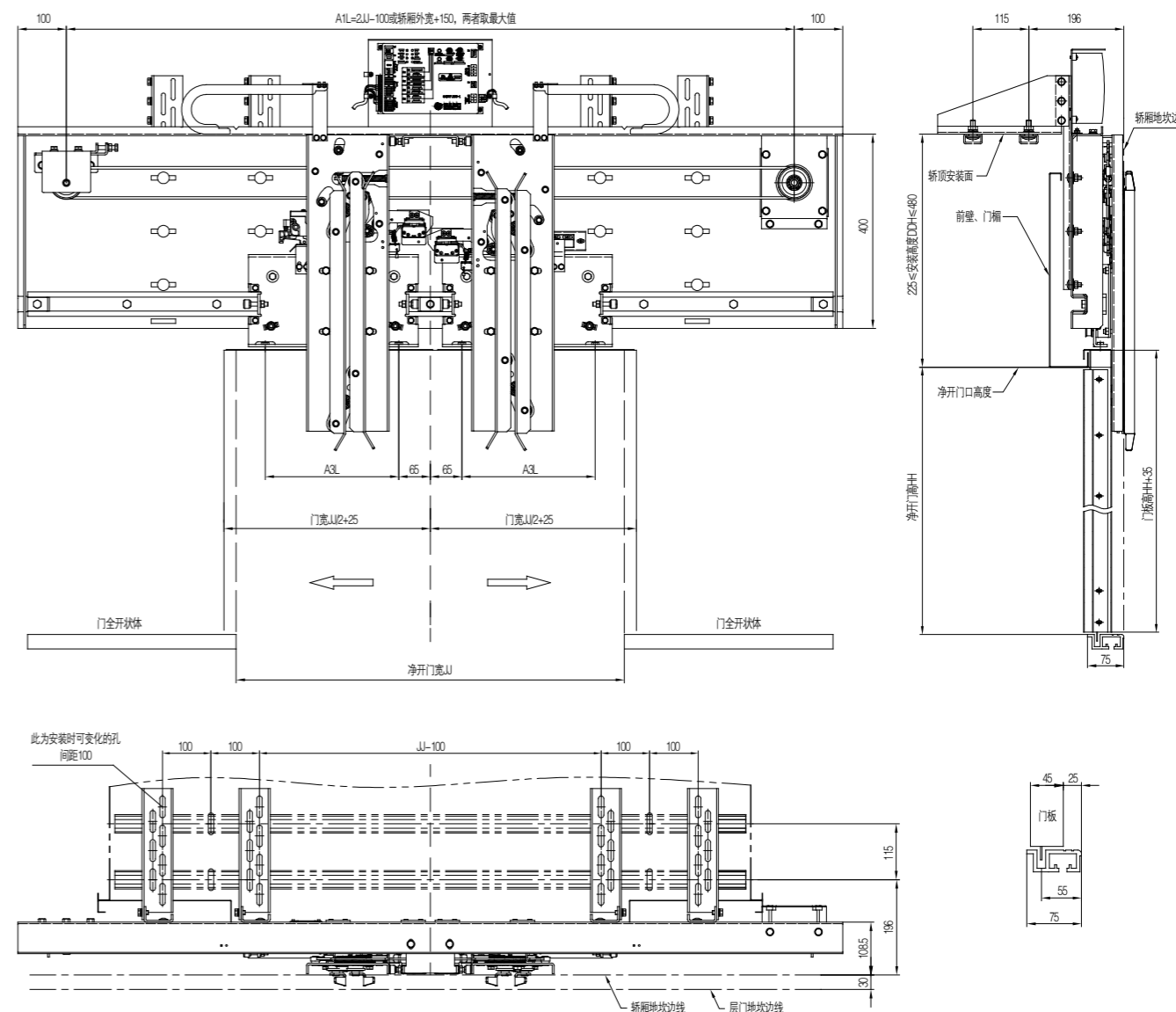
1.1 轿顶安装支架
Car top installation brackets
Drawing NO: M1002042



1.2 轿顶安装 C 型管 (选配)
Fixing pipe for car top installation(optional)
Drawing NO: OMJ01-03

OMJ-120A 中分式永磁同步高速梯门机 (轿顶式)

2-Leafs Center Opening Permanent Magnet Synchronous High-speed Lift Door Operator (Car Top Installation)



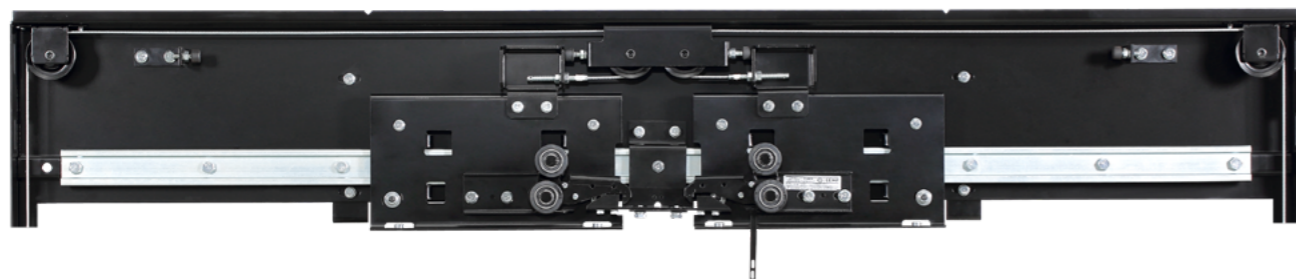
净开门宽 JJ	800	850	900	950	1000	1050	1100	1150	1200	1250	1300	1350	1400
A1L	1500	1600	1700	1800	1900	2000	2100	2200	2300	2400	2500	2600	2700
A3L	275	300	325	350	375	400	425	450	475	500	525	550	575
JJ-100	700	750	800	850	900	950	1000	1050	1100	1150	1200	1250	1300

备注: 当 $2JJ-100 \geq$ 轿厢外宽 +150 时, A1L 值按照表格所示; 反之则按照后者尺寸。
Note: When $2JJ-100 \geq$ Car external width+150, A1L is subject to the table above; otherwise, according to the customer's order

中分门系列
2CO Door System
旁开双开门系列
2SO Door System
中分双开门系列
4CO Door System
别墅梯门系列
HomeLift Door System
中分高速梯门系列
2CO High-speed Door System
三开门系列
3-Leafs Door System
旁开单开门系列
SO Door System
门扇/门套/地坎系列
Door Panel / Door Jamb / Sill
配件系列
Accessories
安全部件系列
Safety Device

中分式高速梯层门装置

2-Leafs Center Opening Landing Door Device For High-speed Lifts



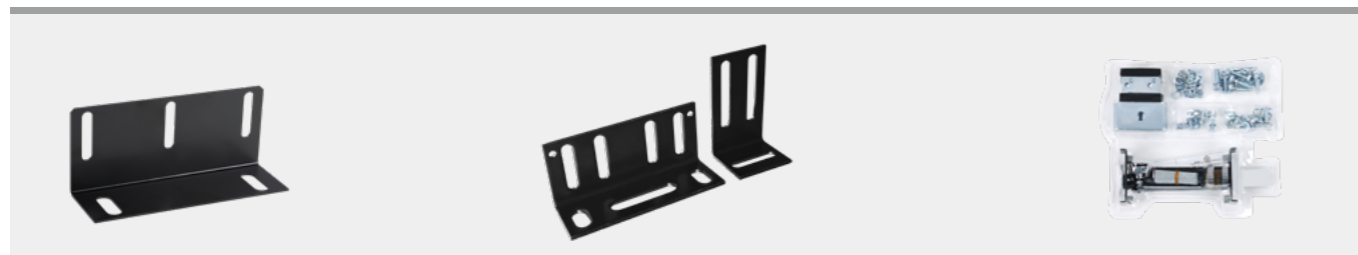
识别号: OCM-120B

- 特征:
- 采用双门锁结构, 开锁方式为门板开锁, 通过 45Kg 摆锤冲击试验
 - 采用冷轧型材导轨, 载重效果佳, 门板为迷宫型结构方式
 - 采用双重锤强迫关门方式, 重锤与导向管置于层门装置两侧
 - 适用电梯运行速度可达到 8m/s
 - 门锁通过国家电梯检测中心测试合格, 取得 CE 认证
 - 门锁适用电压: \leq AC230V、 \leq DC110V

Serial NO: OCM-120B

- Feature:
- Using double-lock structure, unlocking method is on door panel, passed 45kg pendulum impact test
 - Using cold rolling profile, with good load effect, labyrinth-structure type door panel
 - Closing by double weight type, weight and guiding pipe fixed at two sides of door device
 - Applicable lift speed can reach to 8m/s
 - Door lock qualified by the NATIONAL ELEVATOR INSPECTION CENTER, with CE certificate
 - Voltage for door lock: \leq AC230V、 \leq DC110V

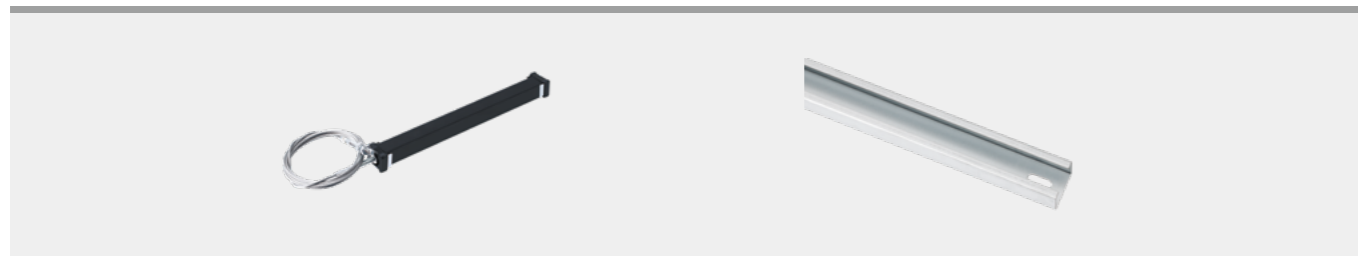
主要附件图 / Accessories:



侧安装板 Side bracket for installation
Drawing NO: C1201006

固定板 / 连接板 Fixing panel/Connection panel
Drawing NO: D1100005/D1100004

层门小封包组件 Fixings
Drawing NO: C1201012

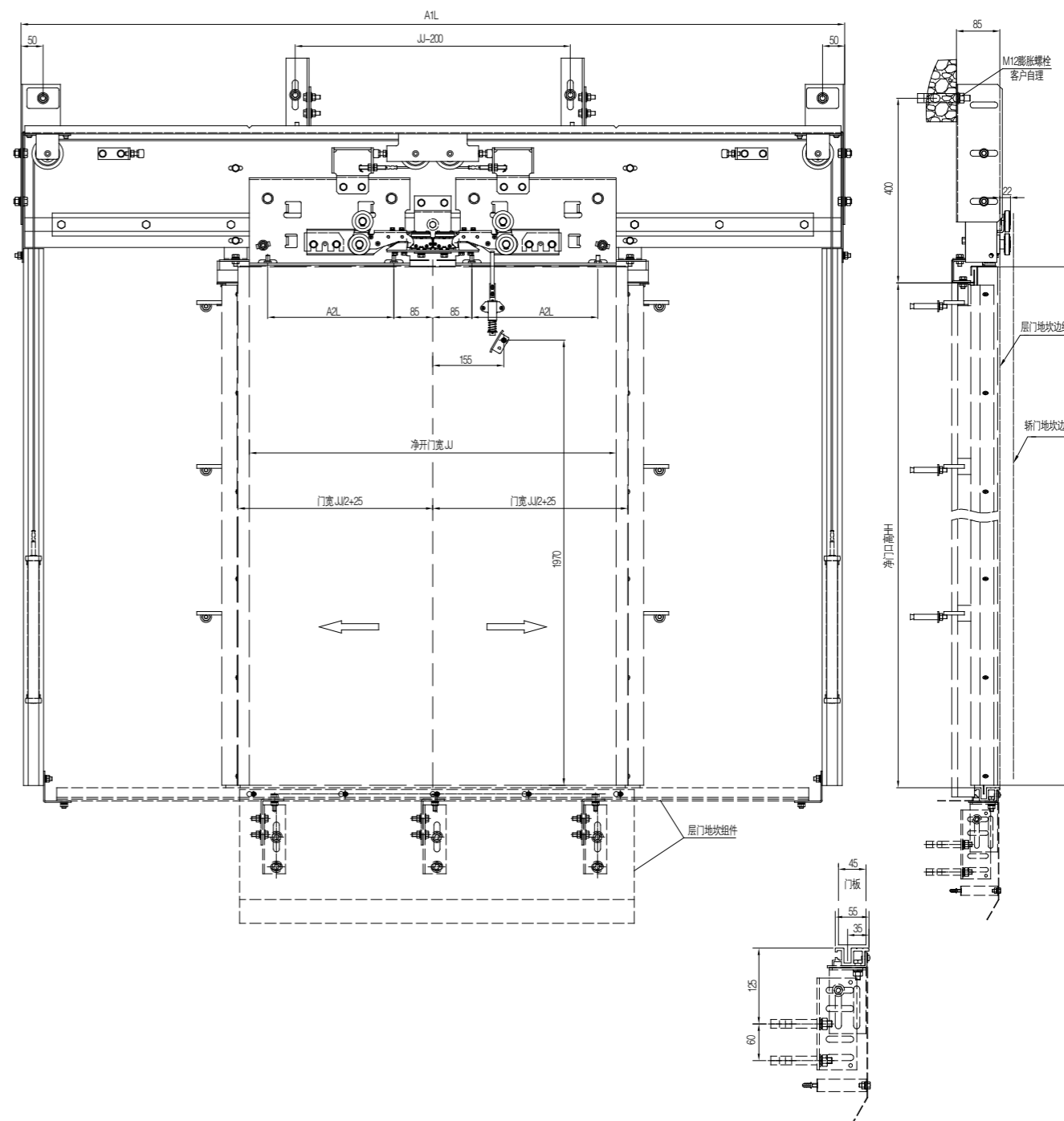


重锤组件 Weight module
Drawing NO: C1201007

导向管组件 Guiding pipe module
Drawing NO: C1201001

OCM-120B 中分式高速梯层门装置

2-Leafs Center Opening Landing Door Device For High-speed Lifts



净开宽度 JJ	800	850	900	950	1000	1050	1100	1150	1200	1250	1300	1350	1400
A1L	1796	1896	1996	2096	2196	2296	2396	2496	2596	2696	2796	2896	2996
A2L	275	300	325	350	375	400	425	450	475	500	525	550	575

中分门系列
2 CO Door System

旁开双折门系列
2 SO Door System

中分双折门系列
4 CO Door System

侧壁折门系列
Homet Lift Door System

中分高速梯门系列
2 CO High-speed Door System

三折门系列
3-Leafs Door System

旁开单折门系列
SO Door System

门扇 / 门套 / 地坎系列
Door Panel / Door Jamb / Sill

配件系列
Accessories

安全部件系列
Safety Device

旁开三折式永磁同步门机

3-Leafs Side Opening Permanent Magnet Synchronous Door Operator



- 识别号: OMJ-602A(轿顶式) OMJ-602B(轿架直梁式)
- 特征:
- 采用永磁同步大功率电机, 额定转矩大, 高效节能环保
 - 采用集成轿门锁功能的同步门刀, 真正实现厅轿门同步开闭
 - 采用电机同步带直接传动, 门机运行平稳, 结构紧凑
 - 采用全闭环伺服控制技术, 调试简便, 控制精度高
 - 门挂板设置防撞击脱落安全挂钩, 安全可靠

Serial NO: OMJ-602A(Car Top Installation) OMJ-602B(Straight Beam Installation)

- Feature:
- Using permanent magnet high-power motor, wide torque range, high efficiency, environmental protection, energy saving
 - The synchronous vane is equipped with door lock function, the door operator and landing door device 100% opened or closed synchronously
 - The synchronous belt drive directly, no slip, running smoothly in lower noise
 - Full-closed-loop control technology, safe, reliable and easy to adjust
 - The door hanger has a safety hook to prevent collision and fall off

门控制器配置 (选配) Inverter(Optional):



OLVF200-1



NICE-D-A-SOP4-OL2

安装方式附件配置 Installation Attachment:

1、轿架直梁安装 For Straight Beam Installation



1.1 安装臂组件
Installation arm module
Drawing NO: M3022001



1.2 直拉杆组件 / 长拉杆组件
Straight tie-rod module / long tie-rod module
Drawing NO: M1002015/M1002012

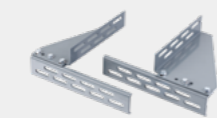


1.3 大拉钩 / 小拉钩
Big pull hook / small pull hook
Drawing NO: OMJ01.26 / OMJ01.32



1.4 安装侧板组件
Side bracket for installation
Drawing NO: M2022005

2、轿顶安装 For Car Top Installation



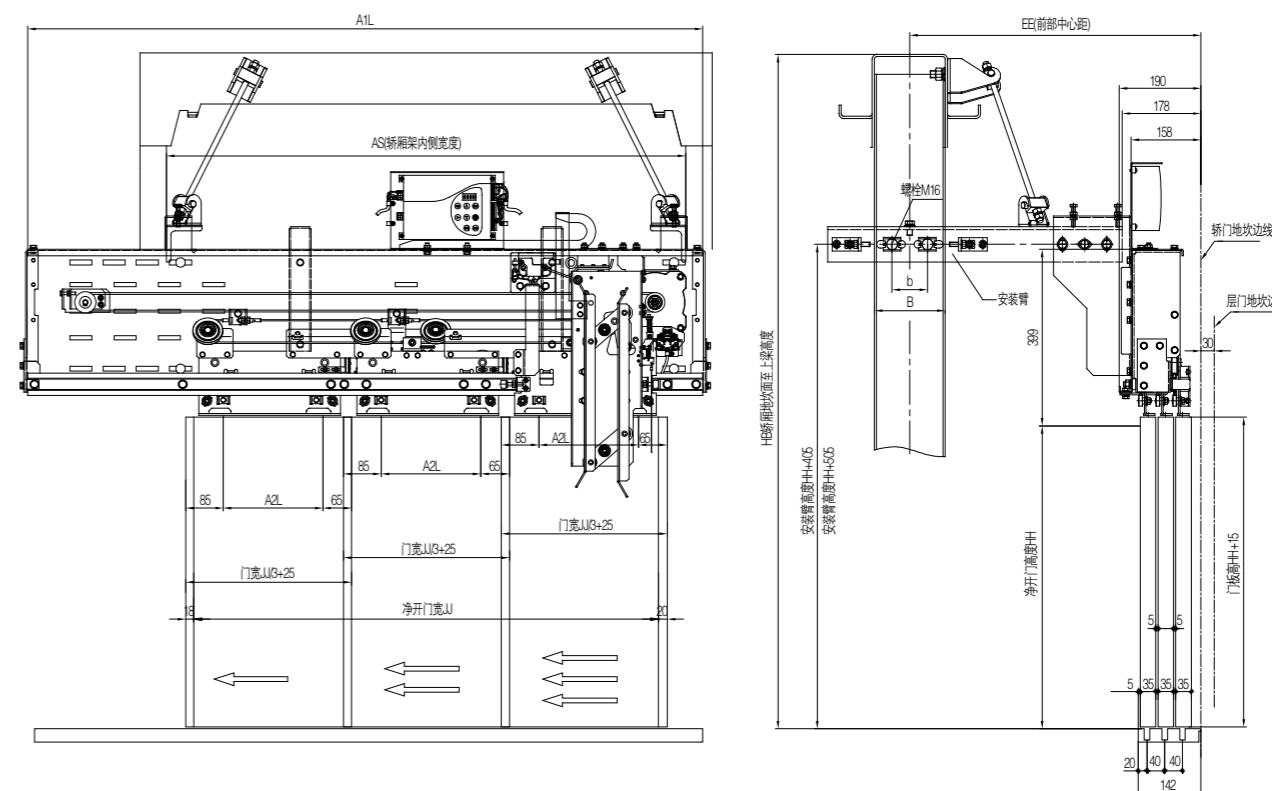
2.1 轿顶安装支架
Car top installation brackets
Drawing NO: M2022011



2.2 轿顶安装 C 型管 (选配)
Fixing pipe for car top installation(optional)
Drawing NO: OMJ01-03

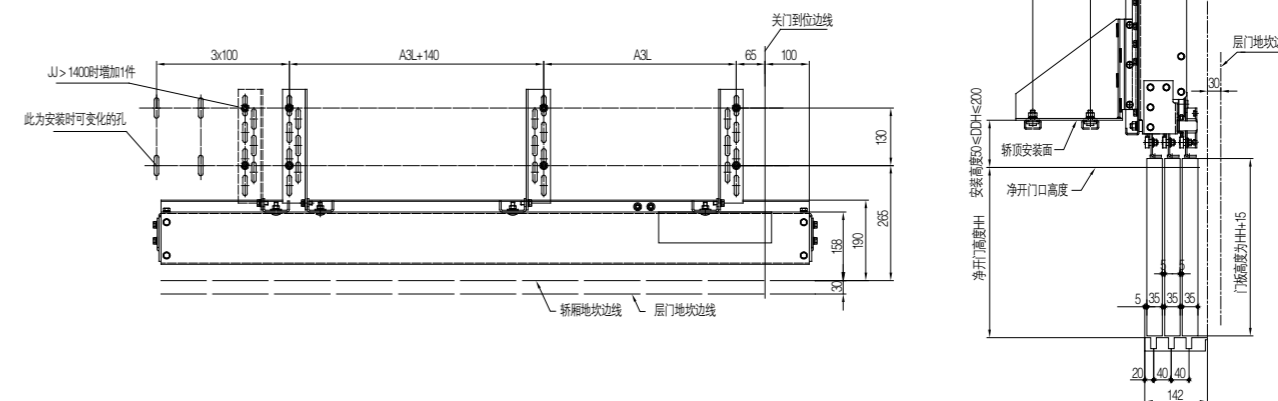
OMJ-602B 旁开三折式永磁同步门机 (轿架直梁式)

3-Leafs Side Opening Permanent Magnet Synchronous Door Operator (Straight Beam Installation)



OMJ-602A 旁开三折式永磁同步门机 (轿顶式)

3-Leafs Side Opening Permanent Magnet Synchronous Door Operator (Car Top Installation)



净开口宽 JJ	900	950	1000	1050	1100	1150	1200	1250	1300	1350	1400	1450	1500	1550	1600	1650	1700	1750	1800	1850	1900	1950	2000
A1L	1325	1392	1458	1525	1592	1658	1725	1792	1858	1925	1992	2058	2125	2192	2258	2325	2392	2458	2525	2592	2658	2725	2792
A2L	175	192	208	225	242	258	275	292	308	325	342	358	375	392	408	425	442	458	475	492	508	525	542
A3L	360	385	410	435	460	485	510	535	560	585	610	635	660	685	710	735	760	785	810	835	860	885	910

中分门系列
2CO Door System

旁开双折门系列
2SO Door System

中分双折门系列
4CO Door System

别墅门系列
HomeLit Door System

中分高速门系列
2CO High-speed Door System

三折门系列
3-Leafs Door System

旁开单折门系列
SO Door System

门扇 / 门套 / 地坎系列
Door Panel / Door Jamb / Sill

配件系列
Accessories

安全部件系列
Safety Device

旁开三折式层门装置

3-Leafs Side Opening Landing Door Device



识别号: OCM-602

- 特征:
- 开锁方式为门板上开锁, 通过 45Kg 摆锤冲击试验
 - 采用重锤强迫关门方式, 重锤与导向管置于层门装置关门侧
 - 门锁通过国家电梯检测中心测试合格, 取得 CE、CU-TR 认证
 - 门锁适用电压: $\leq AC230V$ 、 $\leq DC110V$

Serial NO: OCM-602

- Feature:
- Unlocking hole on landing panel, passed 45kg pendulum impact test
 - Closing by weight type, weight and guiding pipe fixed at inner side of landing panel
 - Door lock qualified by the NATIONAL ELEVATOR INSPECTION CENTER, with CE、CU-TR certificate
 - Voltage for door lock: $\leq AC230V$ 、 $\leq DC110V$

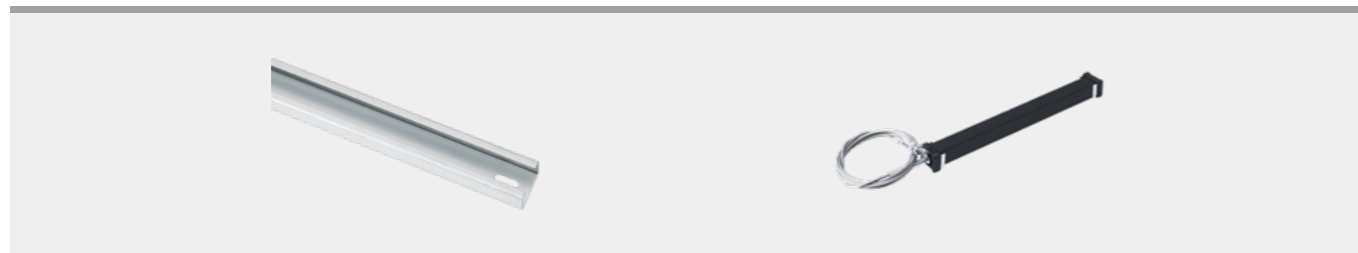
主要附件图 / Accessories:



上坎架安装座 Installation stand
Drawing NO: OCM03.1-4

侧安装板 Side bracket for installation
Drawing NO: OCM05A.11

层门小封包组件 Fixings
Drawing NO: C6020100

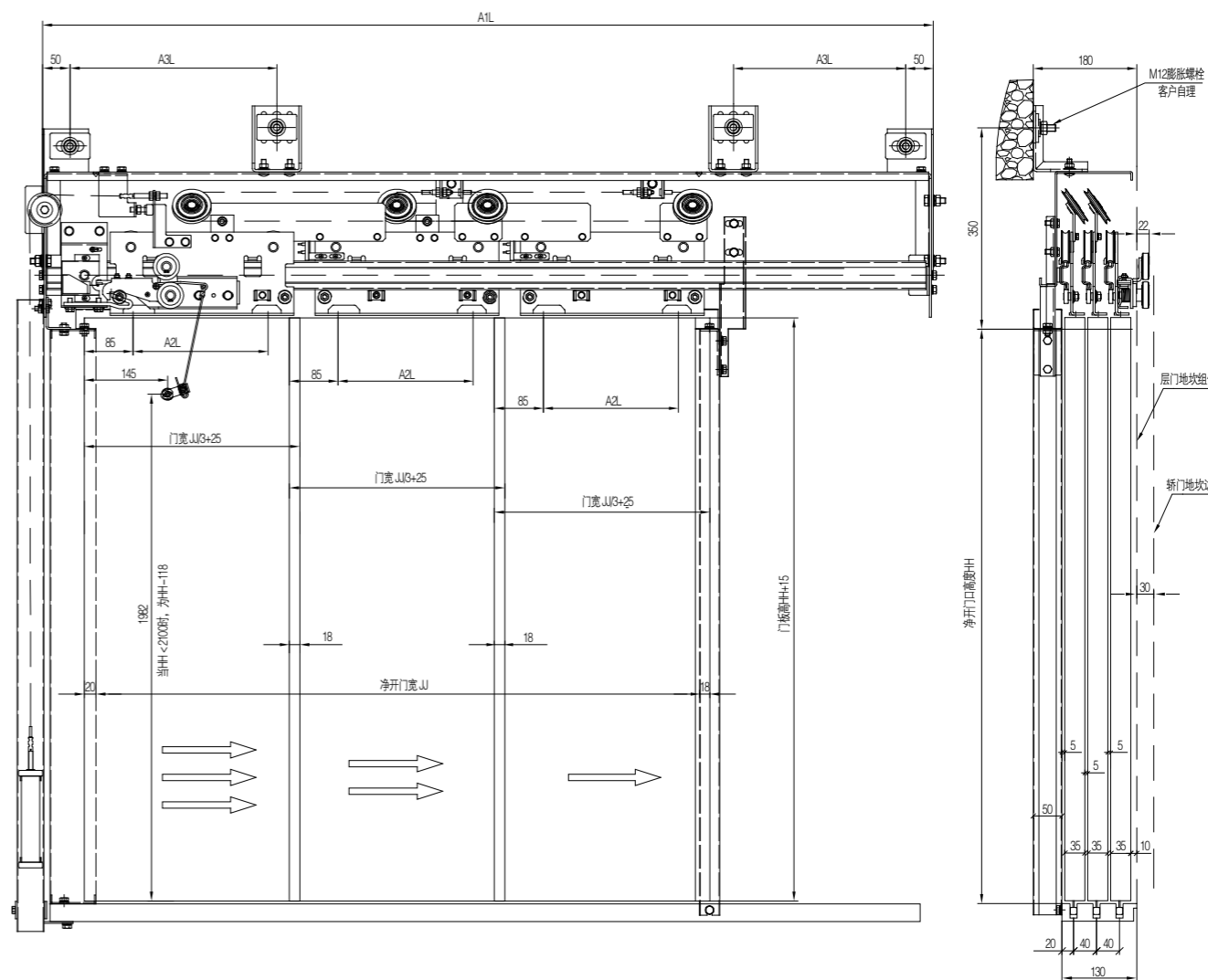


重锤导向管组件 Guiding pipe module
Drawing NO: C6020060

重锤组件 Weight module
Drawing NO: C6020065

OCM-602 旁开三折式层门装置

3-Leafs Side Opening Landing Door Device



净开门宽 JJ	900	950	1000	1050	1100	1150	1200	1250	1300	1350	1400	1450	1500	1550	1600	1650	1700	1750	1800	1850	1900	1950	2000
A1L	1351	1418	1484	1551	1618	1684	1751	1818	1884	1951	2018	2084	2151	2218	2284	2351	2418	2484	2551	2618	2684	2751	2818
A2L	185	202	218	235	252	268	285	302	318	335	352	368	385	402	418	435	452	468	485	502	518	535	552
A3L				350					450					550							600		

中分门系列
2 CO Door System

旁开双折门系列
2 SO Door System

中分双折门系列
4 CO Door System

别墅门系列
Home Lift Door System

中分高速门系列
2 CO High-speed Door System

三折门系列
3-Leafs Door System

旁开单折门系列
SO Door System

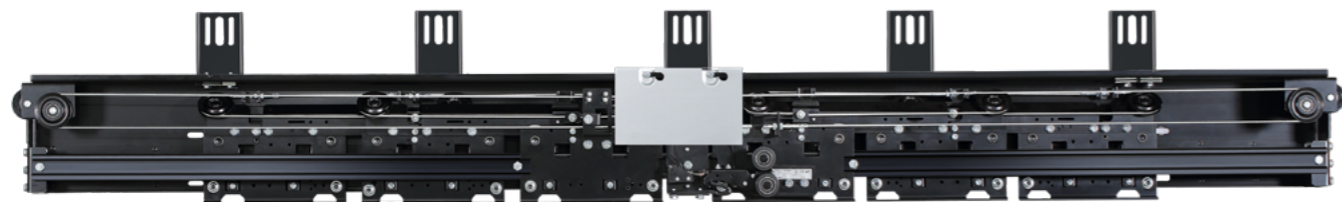
门扇 / 门套 / 地坎系列
Door Panel / Door Jamb / Sill

配件系列
Accessories

安全部件系列
Safety Device

中分三折式层门装置

6-Leafs Center Opening Landing Door Device



识别号: OCM-302

特征:
 ●采用重锤强迫关门方式, 重锤与导向管置于层门装置两侧
 ●开锁方式为门板上开锁, 通过 45Kg 摆锤冲击试验

●门锁通过国家电梯检测中心测试合格, 取得 CE、CU-TR 认证

●门锁通用电压: \leq AC230V、 \leq DC110V

Serial NO: OCM-302

Feature:
 ● Closing by weight type, weight and guiding pipe fixed at inner side of landing panel
 ● Unlocking hole on landing panel, passed 45kg pendulum impact test
 ● Door lock qualified by the NATIONAL ELEVATOR INSPECTION CENTER, with CE、CU-TR certificate
 ● Voltage for door lock: \leq AC230V、 \leq DC110V

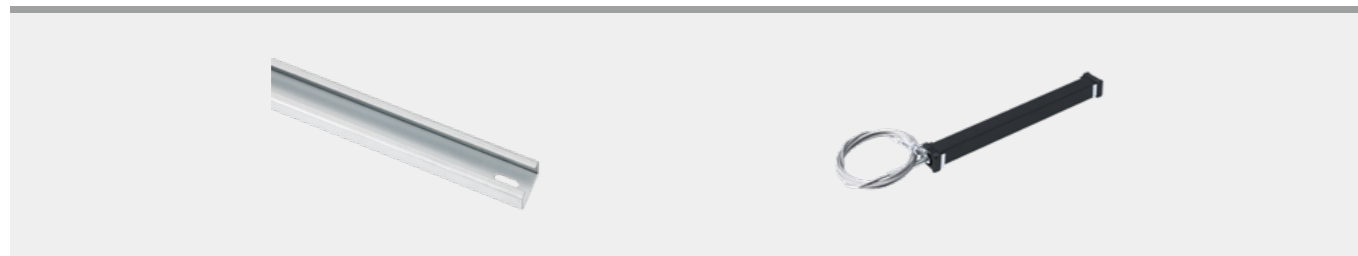
主要附件图 / Accessories:



上坎架安装座 Installation stand
Drawing NO: OCM03.1-4

侧安装板 Side bracket for installation
Drawing NO: OCM05A.11

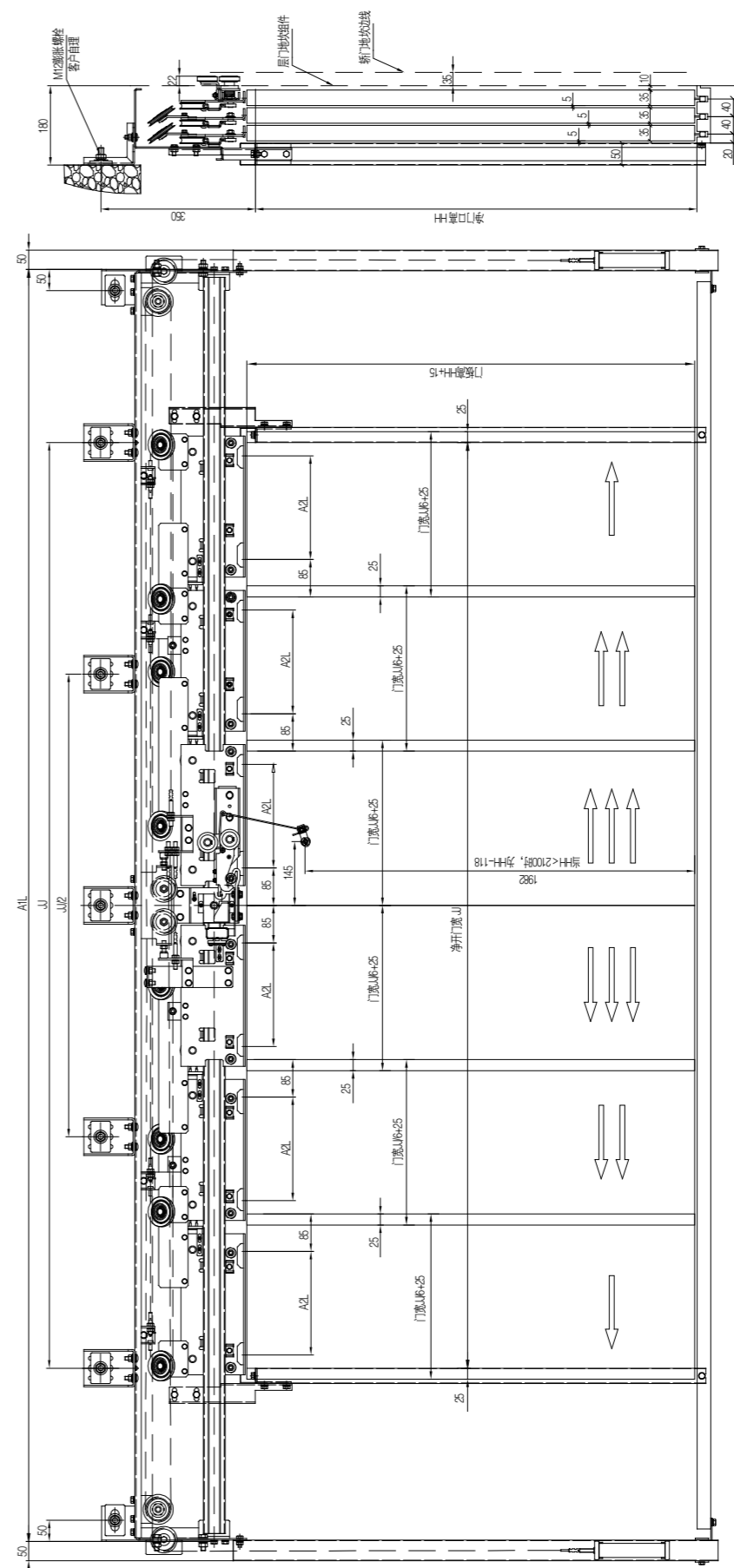
层门小封包组件 Fixings
Drawing NO: C3020100



重锤导向管组件 Guiding pipe module
Drawing NO: C3020060

重锤组件 Weight module
Drawing NO: C3020065

OCM-302 中分三折式层门装置 6-Leafs Center Opening Landing Door Device



净开门宽 J	1800	1900	2000	2100	2200	2300	2400	2500	2600	2700	2800	2900	3000	3100	3200	3300	3400
A1L	2486	2620	2752	2886	3020	3152	3286	3420	3552	3686	3820	3952	4086	4220	4352	4486	4620
A2L	185	202	218	235	252	268	285	302	318	335	352	368	385	402	418	435	452

旁开单折永磁同步门机

1-Leaf Side Opening Permanent Magnet Synchronous Door Operator



- 识别号: OMJ-400A (轿顶式) OMJ-400B (轿架直梁式)
- 特征:
- 采用永磁同步电机, 额定转矩大, 高效节能环保
 - 采用集成轿门锁功能的同步门刀, 真正实现厅轿门同步开闭
 - 采用同步带直接传动, 无滑差, 运行平稳噪音更低
 - 采用全闭环伺服控制技术, 调试简便, 控制精度高
 - 门挂板设置防撞击脱落安全挂钩, 安全可靠
- Serial NO: OMJ-400A (Car Top Installation) OMJ-400B (Straight Beam Installation)
- Feature:
- Using permanent magnet motor, wide torque range, high efficiency, environmental protection, energy saving
 - The synchronous vane is equipped with door lock function, the door operator and landing door device 100% opened or closed synchronously
 - The synchronous belt drive directly, no slip, running smoothly in lower noise
 - Full-closed-loop control technology, safe, reliable and easy to adjust
 - The door hanger has a safety hook to prevent collision and fall off

门控制器配置 (选配) Inverter(Optional):



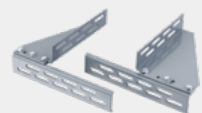
OLVF200-1



NICE-D-A-SOP4-OL2

安装方式附件配置 Installation Attachment:

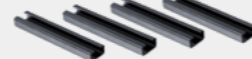
1、轿顶安装 For Car Top Installation



1.1 轿顶安装支架
Car top installation brackets
Drawing NO: M1002042



1.2 加强安装支架
Strengthened installation bracket
Drawing NO: M1002046



1.3 轿顶安装 C 型管 (选配)
Fixing pipe for car top installation(optional)
Drawing NO: OMJ01-03

2、轿架直梁安装 For Straight Beam Installation



2.1 安装臂组件
Installation arm module
Drawing NO: M1002001



2.2 直拉杆组件 / 长拉杆组件
Straight tie-rod module / long tie-rod module
Drawing NO: M1002015 / M1002012



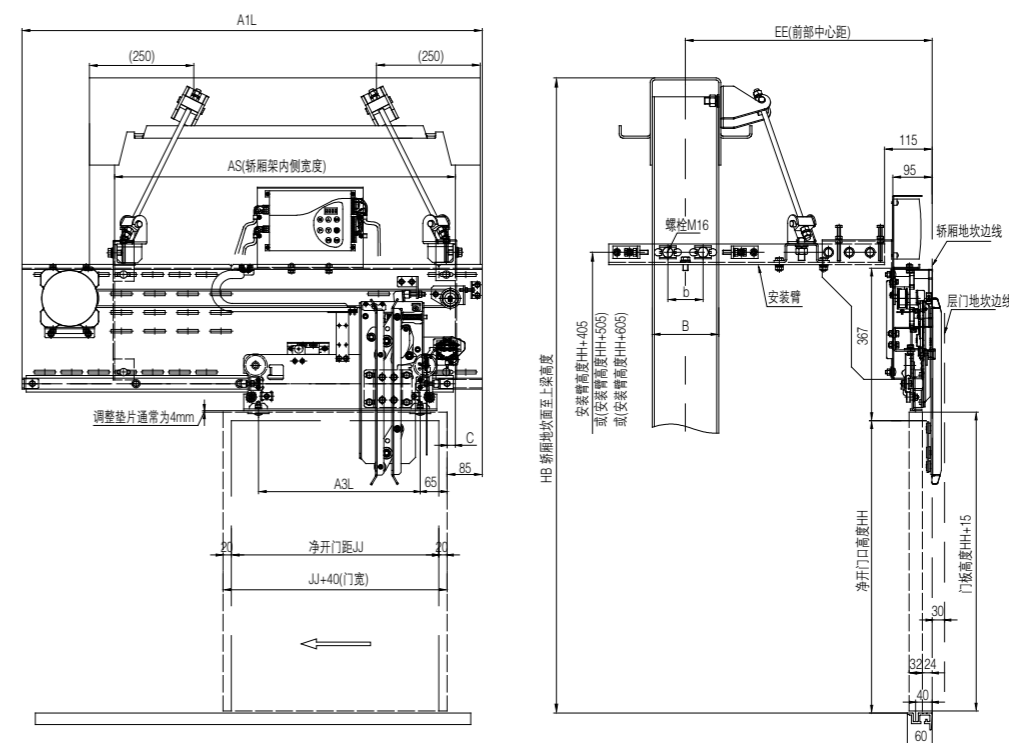
2.3 大拉钩 / 小拉钩
Big pull hook / small pull hook
Drawing NO: OMJ01.26 / OMJ01.32



2.4 安装侧板组件
Side bracket for installation
Drawing NO: M1002025

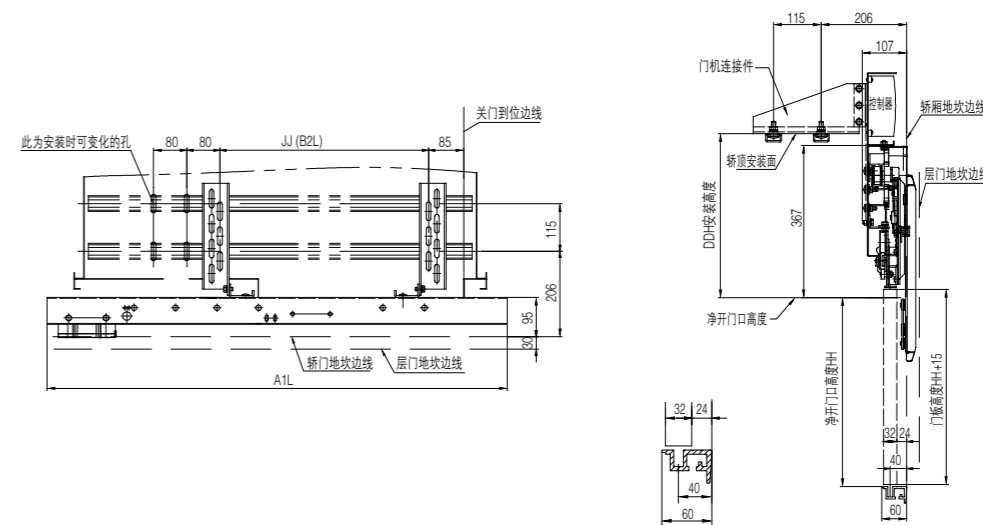
OMJ-400B 旁开单折永磁同步门机 (轿架直梁式)

1-Leaf Side Opening Permanent Magnet Synchronous Door Operator (Straight Beam Installation)



OMJ-400A 旁开单折永磁同步门机 (轿顶式)

1-Leaf Side Opening Permanent Magnet Synchronous Door Operator (Car Top Installation)



净开门宽 JJ	500	550	600	650	700	750	800
A1L	1110	1210	1310	1410	1510	1610	1710
A3L	390	440	490	540	590	640	690

HB、AS、EE、B、b、C、HH 根据客户指令确定 According to the customer's order

旁开单折层门装置

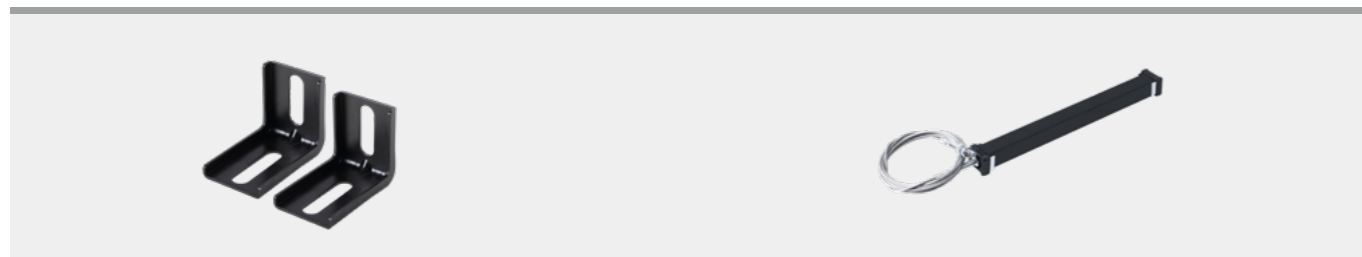
1-Leaf Side Opening Landing Door Device



- 识别号: OCM-400A
- 特征:
- ◎ 开锁方式为门板上开锁, 通过 45Kg 摆锤冲击试验
 - ◎ 采用重锤强迫关门方式, 重锤与导向管置于层门门板内侧
 - ◎ 门锁通过国家电梯检测中心测试合格
 - ◎ 门锁适用电压: $\leq AC230V$ 、 $\leq DC110V$

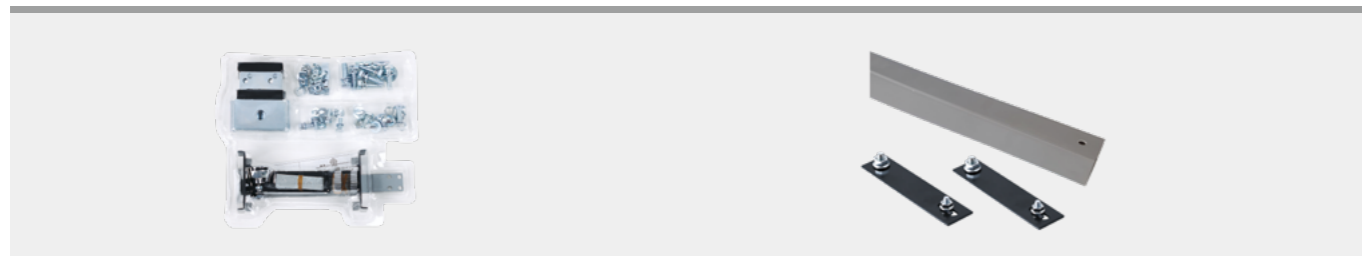
- Serial NO: OCM-400A
- Feature:
- ◎ Unlocking hole on landing panel, passed 45kg pendulum impact test
 - ◎ Closing by spring type, spring assembled on inner top of landing device
 - ◎ Door lock qualified by the NATIONAL ELEVATOR INSPECTION CENTER
 - ◎ Suitable for glass door panels

主要附件图 / Accessories:



上坎安装架 Installation stand
Drawing NO: C1011001

重锤组件 Weight module
Drawing NO: C4001002

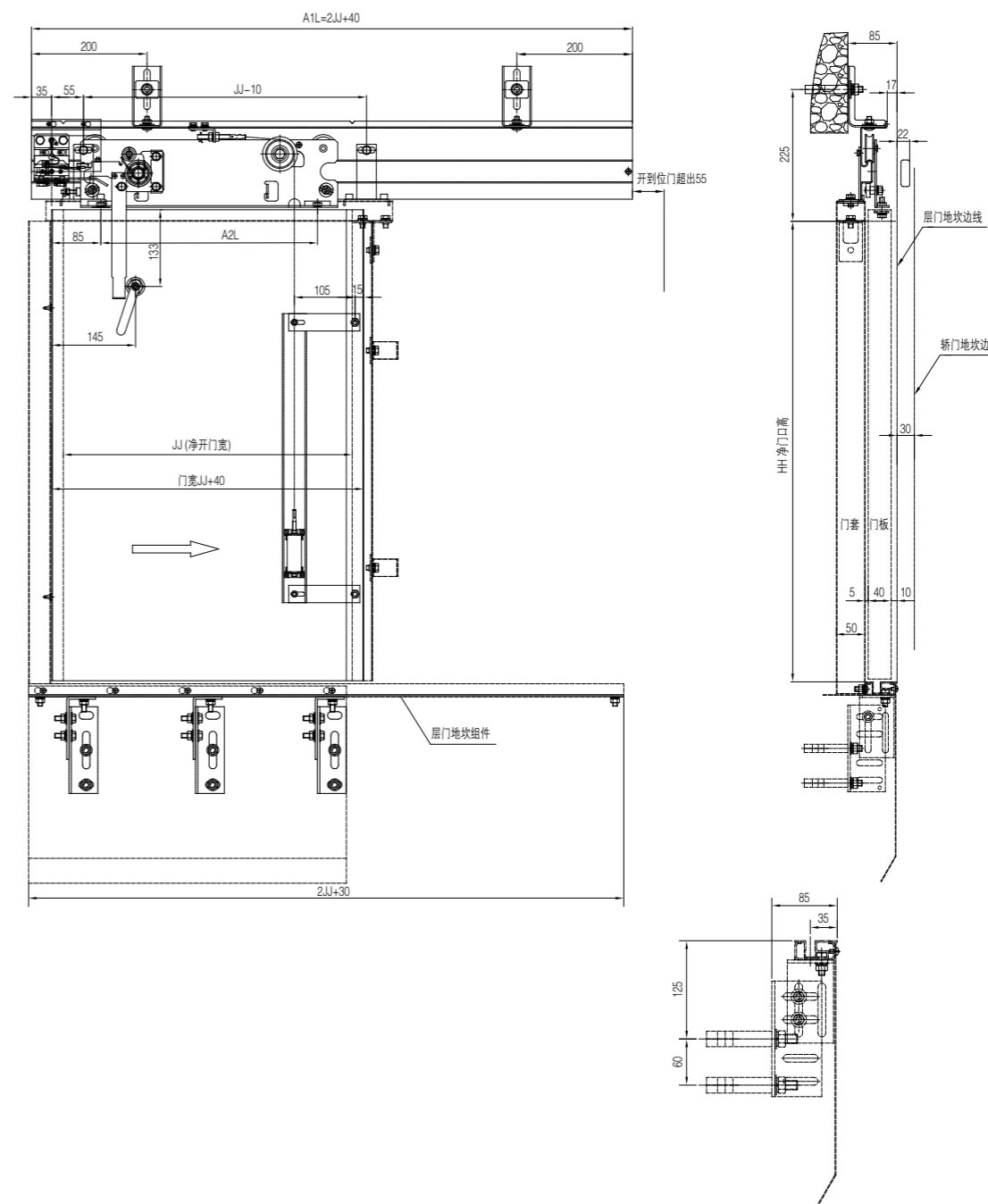


层门小封包 Fixings
Drawing NO: C4012001

导向管组件 Guiding pipe module
Drawing NO: C4001007

OCM-400A 旁开单折层门装置

1-Leaf Side Opening Landing Door Device



净开门宽 JJ	500	550	600	650	700	750	800
$A1L=2JJ+40$	1040	1140	1240	1340	1440	1540	1640
$A2L=JJ-125$	375	425	475	525	575	625	675

中分门系列
2 CO Door System

旁开双折门系列
2 SO Door System

中分双折门系列
4 CO Door System

别墅梯门系列
Home Lift Door System

中分高速梯门系列
2 CO High-speed Door System

三折门系列
3-Leaf Door System

旁开单折门系列
SO Door System

门扇 / 门套 / 地坎系列
Door Panel / Door Jamb / Sill

配件系列
Accessories

安全部件系列
Safety Device

客梯中分轿门门扇 / 地坎 / 护脚板

Door Panel, Sill and Apron For Center Opening Door Operator of the Passenger Elevator



中分轿门门扇

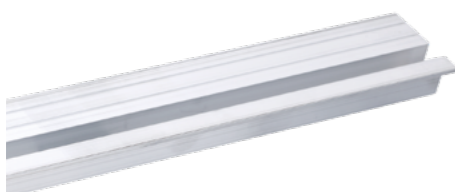
Center opening door panel for door operator
Drawing NO: OP J0801



门封条 / Door Sealer
Drawing NO: OPJ0901.1-1



橡胶撞头 / Rubber Stopper
Drawing NO: OPJ0901.1-2



轿门地坎 / Car Sill

Drawing NO: OMJ01.12



轿门护脚板 / Landing Apron

Drawing NO: DK 012-1

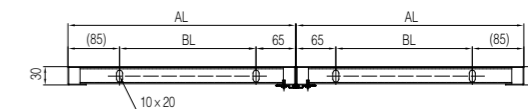
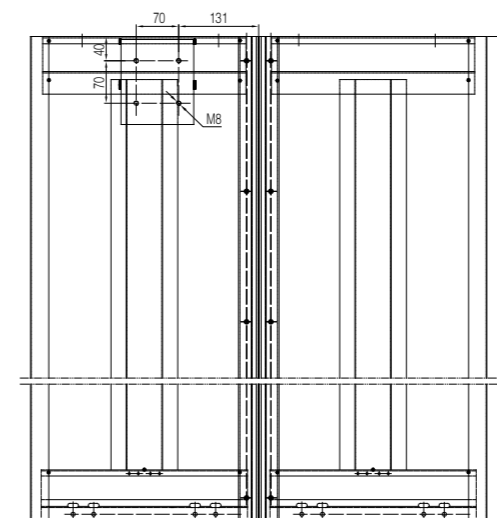
标准配置 / Standard Accessories:

序号 / NO.	部件名称 / Name	材料 / Material		备注 / Remarks
1	轿门门扇 / Door Operator Panel 层门门扇 / Landing Door Device Panel	冷板 / Steel	喷漆 / Painted	按色标可选 / As Below Colour
		不锈钢 / Stainless Steel	发纹 / Hairline	本色 / Natural
1.1	门封条 / Door Sealer	橡胶 / Rubber		可选 / Optional
1.2	橡胶撞头 / Rubber Stopper	橡胶 / Rubber		可选 / Optional
2	轿门地坎 / Car Sill	铝合金 / ALU.		本色 / Natural
3	轿门护脚板 / Landing Apron	镀锌板 / Galvanized Plate		

客梯中分轿门门扇 / 地坎 / 护脚板

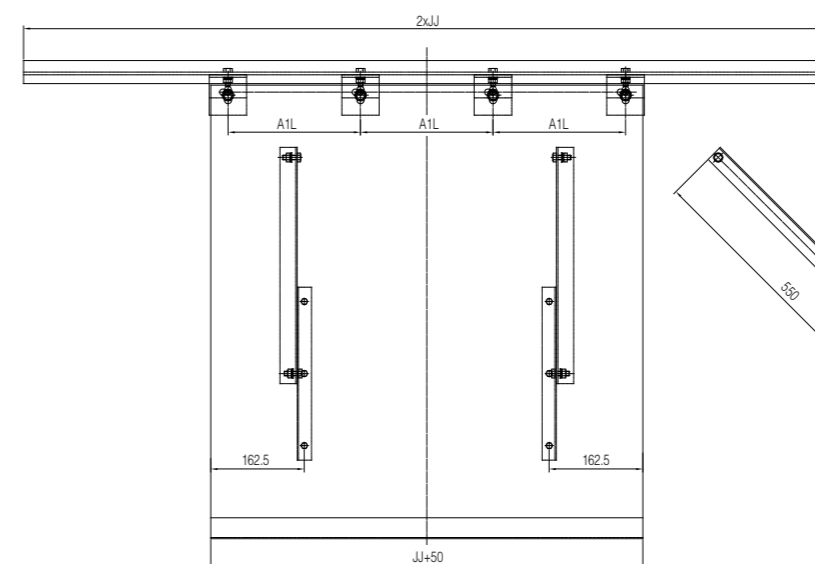
Door Panel, Sill and Apron for Center Opening Door Operator of the Passenger Elevator

中分轿门门扇
Center opening door panel for door operator
Drawing No:OPJ0801

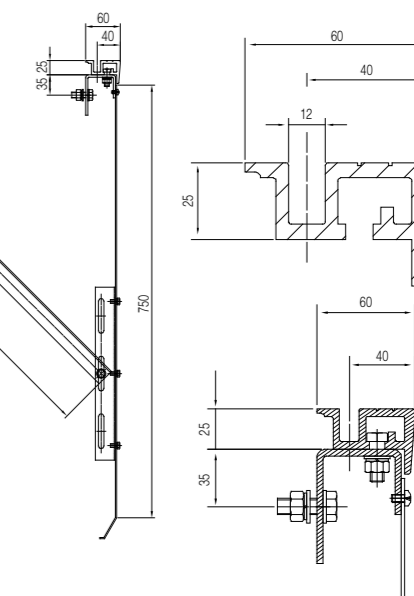


净开门 JJ	600	650	700	750	800	850	900	950	1000	1050	1100	1150	1200	非标
AL	325	350	375	400	425	450	475	500	525	550	575	600	625	0.5JJ+25
BL	175	200	225	250	275	300	325	350	375	400	425	450	475	0.5JJ-125

中分轿门地坎组件 / Center Car Door Sill Module
Drawing No:DK012



轿门地坎 / Car Sill
Drawing No:OMJ01.12



地坎、护脚板参数表 / Sill, Apron Sizes

净开门 JJ	700	750	800	850	900	950	1000	1050	1100	1150	1200
2xJJ	1400	1500	1600	1700	1800	1900	2000	2100	2200	2300	2400
JJ+50	750	800	850	900	950	1000	1050	1100	1150	1200	1250
A1L	230	230	260	260	300	300	330	330	360	360	400

中分门系列
2 CO Door System

旁开双折门系列
2 SO Door System

中分双折门系列
4 CO Door System

别墅轿门系列
HomeLift Door System

中分高速轿门系列
2CO High-speed Door System

三折门系列
3-Leafs Door System

旁开单折门系列
SO Door System

门扇 / 门套 / 地坎系列
Door Panel / Door L jamb / Sill

配件系列
Accessories

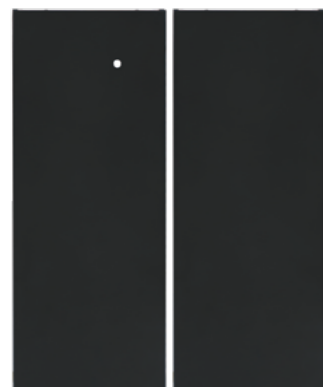
安全部件系列
Safety Device

客梯中分层门门扇 / 地坎 / 门套

Door Panel, Sill and Jamb for Center Opening Landing
Door Device of the Passenger Elevator

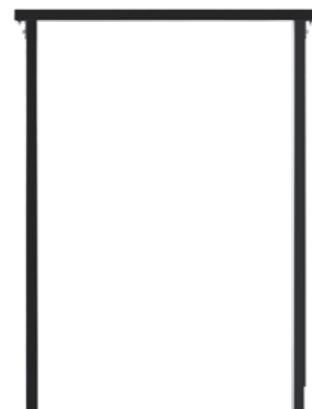
中分层门门扇

Landing Door Panel
Drawing NO: OPJ0901



中分小门套组件

Fireproof Landing Door Jamb
Drawing NO: OPJ1001 系列



门封条

Door Sealer
Drawing NO: OPJ0901.1-1



橡胶撞头

Rubber Stopper
Drawing NO: OPJ0901.1-2



标准配置
Standard Accessories:

L 号	材料 / Material	备注 / Remarks
L01	钢板喷塑 Painted Steel	按色标可选 As Below Colour
L02	发纹不锈钢 Stainless Steel	本色 Natural

客梯中分层门门扇 / 地坎 / 门套

Door Panel, Sill and Jamb for Center Opening Landing
Door Device of the Passenger Elevator

(防火型) 中分层门门扇

Fireproof Landing Door Panel
Drawing NO: OPJ0911



(防火型) 中分门套组件

Fireproof Landing Door Jamb
Drawing NO: OPJ1011

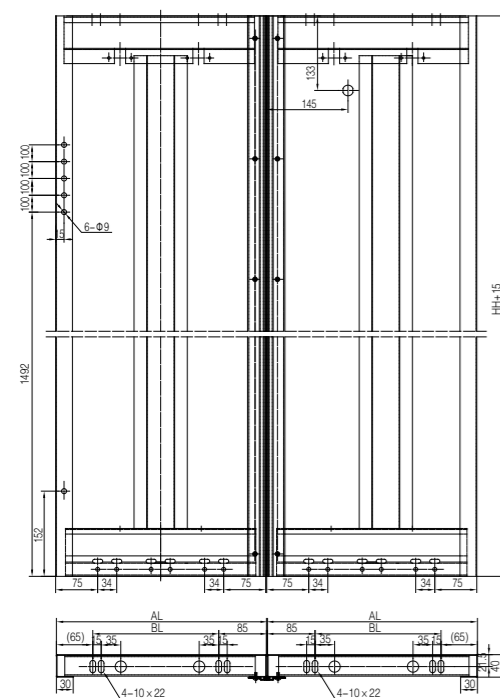


标准配置
Standard Accessories:

L 号	材料 / Material	备注 / Remarks
L01	钢板喷塑 Painted Steel	按色标可选 As Below Colour
L02	发纹不锈钢 Stainless Steel	本色 Natural

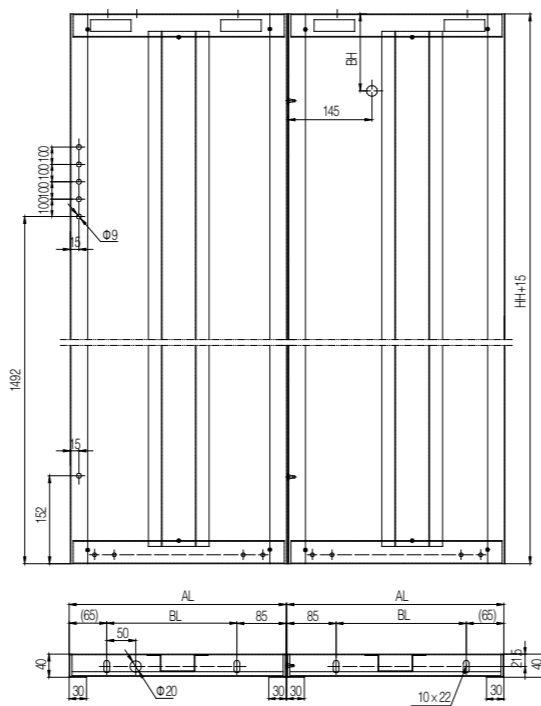
中分层门门扇

Landing Door Panel
Drawing NO: OPJ0901



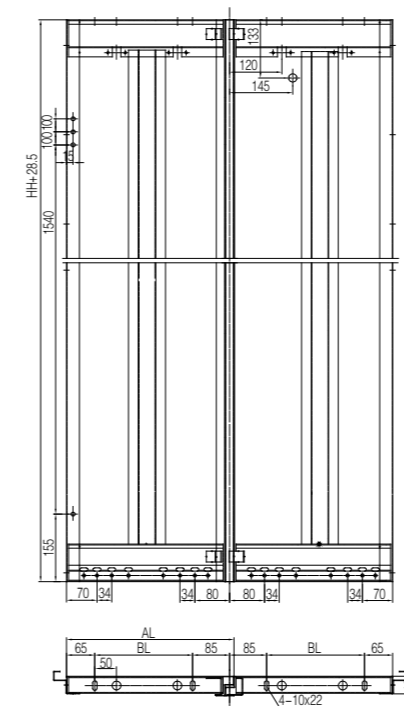
中分层门门扇

Landing Door Panel
Drawing NO: OPJ9001



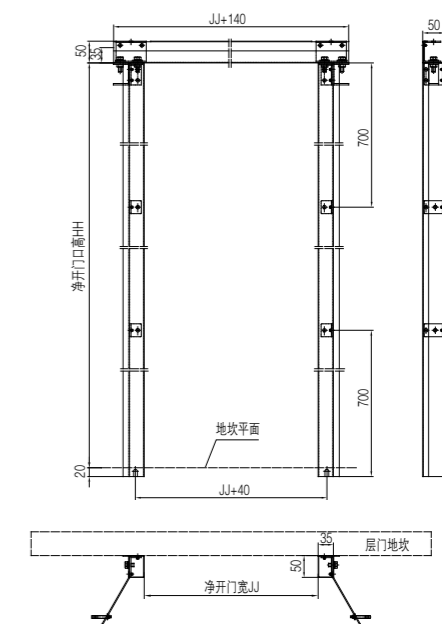
(防火型) 中分层门门扇

Fireproof Landing Door Panel
Drawing NO: OPJ0911



(防火型) 中分门套组件

Fireproof Landing Door Jamb
Drawing NO: OPJ1011



净开门 JJ	600	650	700	750	800	850	900	950	1000	1050	1100	1150	1200	非标 Non-standard
AL	325	350	375	400	425	450	475	500	525	550	575	600	625	0.5JJ+25
BL	175	200	225	250	275	300	325	350	375	400	425	450	475	0.5JJ-125

净开门 JJ	650	700	750	800	850	900	950	1000	1050	1100	1150	1200	非标 Non-standard
AL	360	385	410	435	460	485	510	535	560	585	610	635	0.5JJ+35
BL	200	225	250	275	300	325	350	375	400	425	450	475	0.5JJ-125

中分门系列
2CO Door System

旁开双折门系列
2SO Door System

中分双折门系列
4CO Door System

别墅电梯门系列
HomeLift Door System

中分高速门系列
2CO High-speed Door System

三折门系列
3-Leafs Door System

旁开单折门系列
SO Door System

门扇 / 门套 / 地坎系列
Door Panel / Door Jamb / Sill

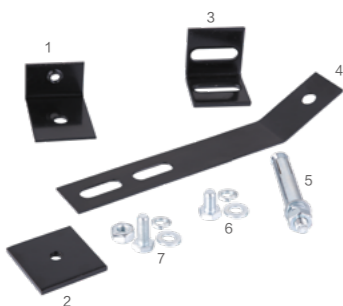
配件系列
Accessories

安全部件系列
Safety Device

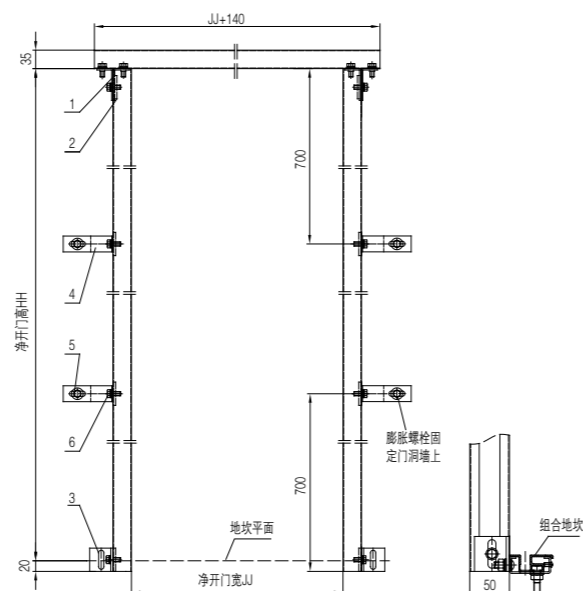
客梯中分门套组件

Jamb Accessories for Center Opening Door Operator of the Passenger Elevator

中分小门套（安装）附件 旁插螺栓固定式
Landing Door Jamb (Installation) Accessories
Side Bolt Fixation
Drawing NO: OPJ1001C-8



序号 (No)	代号 (Code)	名称 (Name)	数量 (Qty)	备注 (Note)
1	TDA1C051001	上连接支架	4	
2	TDA1C051002	固定板	8	
3	TDA1C051003	中下连接支架	2	
4	OPJ1001.3C	门套立柱连接板	4	
5		膨胀螺栓 M8*80	4	
6	GB/T5783	螺栓 M8*20	12	选配 60 铝地坎 固定门套用
	GB/T97.1	垫圈 8	12	
	GB/T93	垫圈 8	12	
7	GB/T5783	螺栓 M8*25	2	选配 60 铝地坎 固定门套用
	GB/T97.1	垫圈 8	2	
	GB/T93	垫圈 8	2	
	GB/T6170	螺母 M8	2	

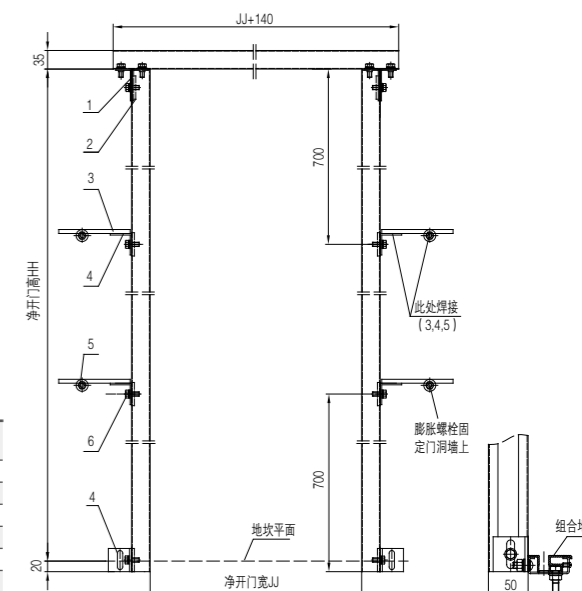


注：当净开门高 HH > 2500 时客户需考虑门套立柱固定零件 2,4,5 及标准件的增加。
Notice: when HH>2500, Customer should add accessories of landing door jamb (2,4,5) and standard components.

中分小门套（安装）附件 旁插焊接固定式
Landing Door Jamb (Installation) Accessories
Side Weld Fixation
Drawing NO: OPJ1001C-9

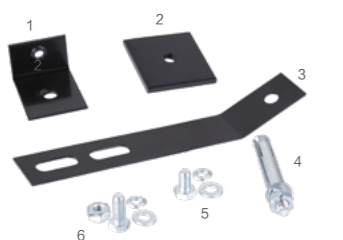


序号 (No)	代号 (Code)	名称 (Name)	数量 (Qty)	备注 (Note)
1	TDA1C051001	上连接支架	4	
2	TDA1C051002	固定板	8	
3	OPJ1001D.7	门套固定杆	4	
4	TDA1C051003	中下连接支架	6	
5		膨胀螺栓 M8*80	4	
6	GB/T5783	螺栓 M8*20	12	选配 60 铝地坎 固定门套用
	GB/T97.1	垫圈 8	12	
	GB/T93	垫圈 8	12	
7	GB/T5783	螺栓 M8*25	2	选配 60 铝地坎 固定门套用
	GB/T97.1	垫圈 8	2	
	GB/T93	垫圈 8	2	
	GB/T6170	螺母 M8	2	

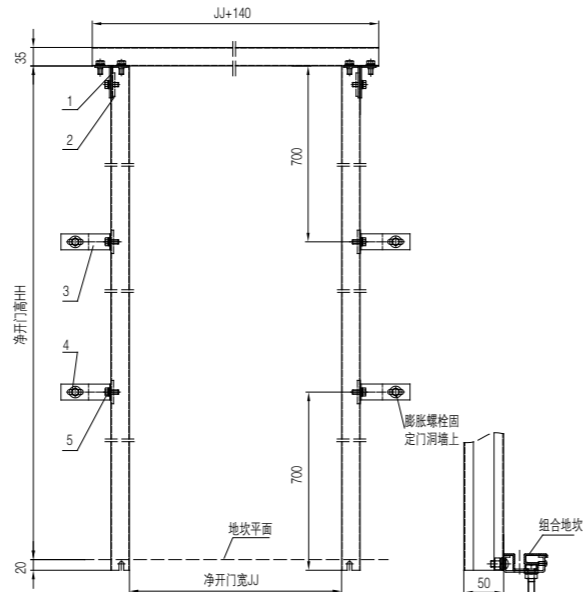


注：当净开门高 HH > 2500 时客户需考虑门套立柱固定零件 2,3,4,5 及标准件的增加。
Notice: when HH>2500, Customer should add accessories of landing door jamb (2,3,4,5) and standard components.

中分小门套（安装）附件 直插螺栓固定式
Landing Door Jamb (Installation) Accessories
Direct Bolt Fixation
Drawing NO: OPJ1001C-8A

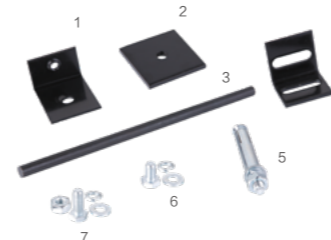


序号 (No)	代号 (Code)	名称 (Name)	数量 (Qty)	备注 (Note)
1	TDA1C051001	上连接支架	4	
2	TDA1C051002	固定板	6	
3	OPJ1001.3C	门套立柱连接板	4	
4		膨胀螺栓 M8*80	4	
5	GB/T5783	螺栓 M8*20	10	选配 60 铝地坎 固定门套用
	GB/T97.1	垫圈 8	10	
	GB/T93	垫圈 8	10	
6	GB/T5783	螺栓 M8*25	2	选配 60 铝地坎 固定门套用
	GB/T97.1	垫圈 8	2	
	GB/T93	垫圈 8	2	
	GB/T6170	螺母 M8	2	

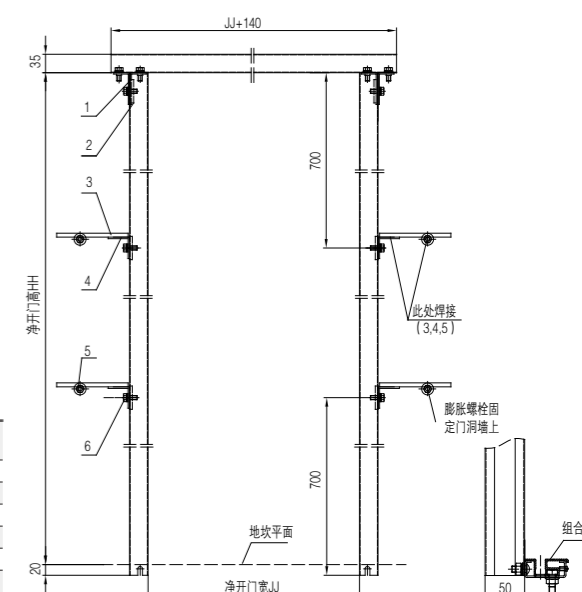


注：当净开门高 HH > 2500 时客户需考虑门套立柱固定零件 2,3,4 及标准件的增加。
Notice: when HH>2500, Customer should add accessories of landing door jamb (2,3,4) and standard components.

中分小门套（安装）附件 直插焊接固定式
Landing Door Jamb (Installation) Accessories
Direct Weld Fixation
Drawing NO: OPJ1001C-9A



序号 (No)	代号 (Code)	名称 (Name)	数量 (Qty)	备注 (Note)
1	TDA1C051001	上连接支架	4	
2	TDA1C051002	固定板	6	
3	OPJ1001D.7	门套固定杆	4	
4	TDA1C051003	中下连接支架	4	
5		膨胀螺栓 M8*80	4	
6	GB/T5783	螺栓 M8*20	10	选配 60 铝地坎 固定门套用
	GB/T97.1	垫圈 8	10	
	GB/T93	垫圈 8	10	
7	GB/T5783	螺栓 M8*25	2	选配 60 铝地坎 固定门套用
	GB/T97.1	垫圈 8	2	
	GB/T93	垫圈 8	2	
	GB/T6170	螺母 M8	2	



注：当净开门高 HH > 2500 时客户需考虑门套立柱固定零件 2,3,4,5 及标准件的增加。
Notice: when HH>2500, Customer should add accessories of landing door jamb (2,3,4,5) and standard components.

中分层门地坎 / 护脚板

Sill / Landing Apron and Accessories for Center Opening Landing Door Device

层门组合地坎

Landing Composite Alu. Sill
Drawing NO: DK01.1.1LY



层门铝地坎

Landing Solid Alu. Sill
Drawing NO:A1066E100.12/DK01.1D.1



层门组合地坎

Landing Composite Alu. Sill
Drawing NO: DK01.1.1SH



地坎安装附件

Sill Fixings
Drawing NO: DK01.1FB-A1(M12*100)
DK01.1FB-A2(M10*100)



层门护脚板

Landing Apron
Drawing NO: DK01.1-1



地坎安装座

Sill Brackets
Drawing NO: DK01.1.2Y / DK01.1A-12 /
DK01.1H-12H



地坎档泥板

Splash Board
Drawing NO:DK01.1-3

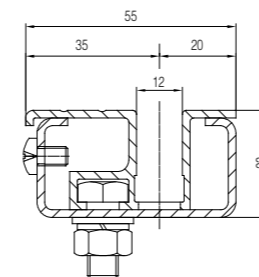


中分层门地坎 / 护脚板

Door Pane / Jamb / Sill / Apron and Accessories for Center Landing Door Device

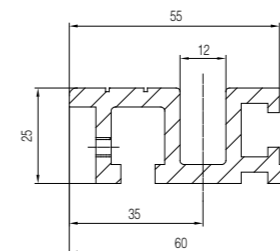
层门组合地坎

Landing Composite Alu. Sill
Drawing NO:DK01.1.1LY



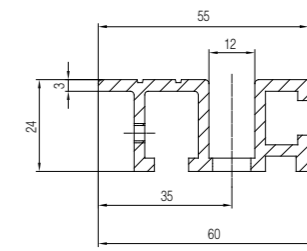
层门铝地坎

Landing Solid Alu. Sill
Drawing NO:A1066E100.12



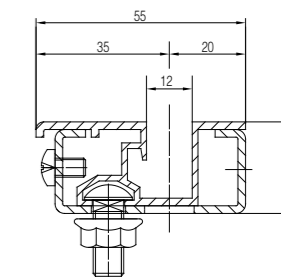
层门铝地坎

Landing Solid Alu. Sill
Drawing NO:DK01.1D.1

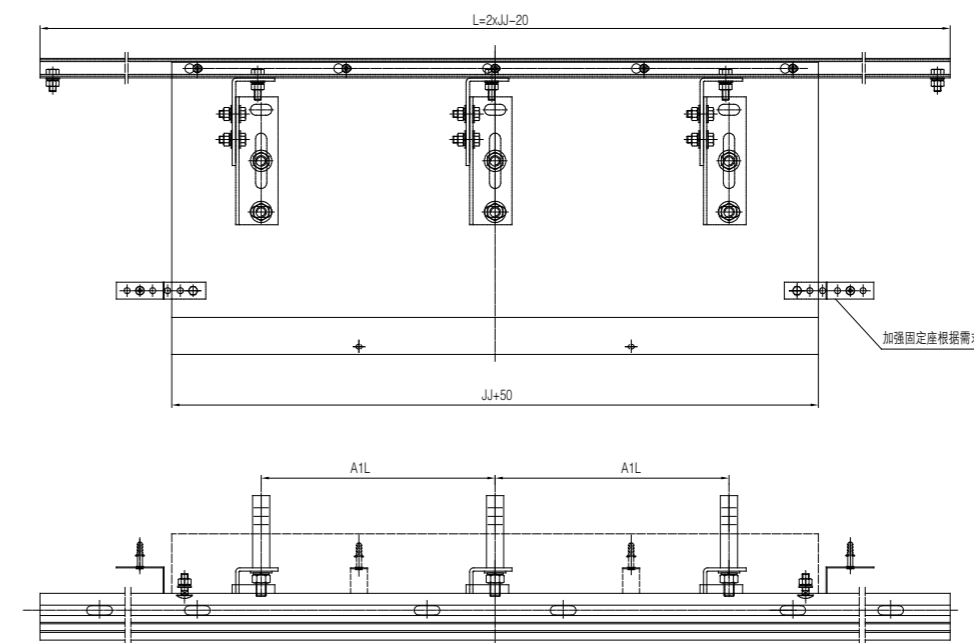


层门组合地坎

Landing Composite Alu. Sill
Drawing NO:DK01.1.1SH

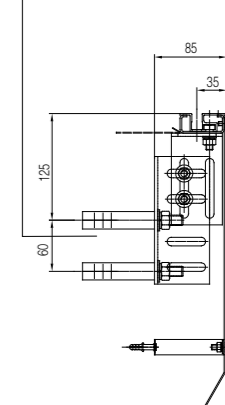


中分层门地坎组件
Landing Door Panel
Sill Module
Drawing NO:DK01.1CY



地坎安装附件
Sill Fixings
Drawing NO:DK01.1FB-A1(M12*100)
DK01.1FB-A2(M10*100)

层门护脚板
Landing Apron
Drawing NO:DK01.1-1



净开门宽 JJ	600	650	700	750	800	850	900	950	1000	1050	1100	1150	1200
L	1180	1280	1380	1480	1580	1680	1780	1880	1980	2080	2180	2280	2380
JJ+50	650	700	750	800	850	900	950	1000	1050	1100	1150	1200	1250
A1L	225	250	275	300	325	350	375	400	425	450	475	500	525

中分门系列
2CO Door System

旁开双折门系列
2SO Door System

中分双折门系列
4CO Door System

别墅电梯门系列
HomeLift Door System

中分高速门系列
2CO High-speed Door System

三折门系列
3-Letis Door System

旁开单折门系列
SO Door System

门扇 / 门套 / 地坎系列
Door Panel / Door Jamb / Sill

配件系列
Accessories

安全部件系列
Safety Device

货梯轿门门扇 / 层门门扇

Door Operator Panel and Landing Door Panel for Freight Elevator

旁开双折轿门门扇
2-Leafs Side Opening Door Operator Panel
OPJ0806

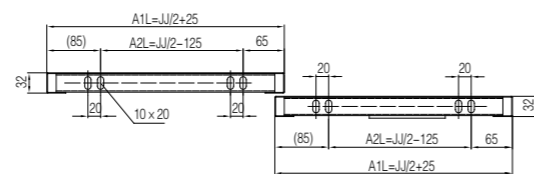
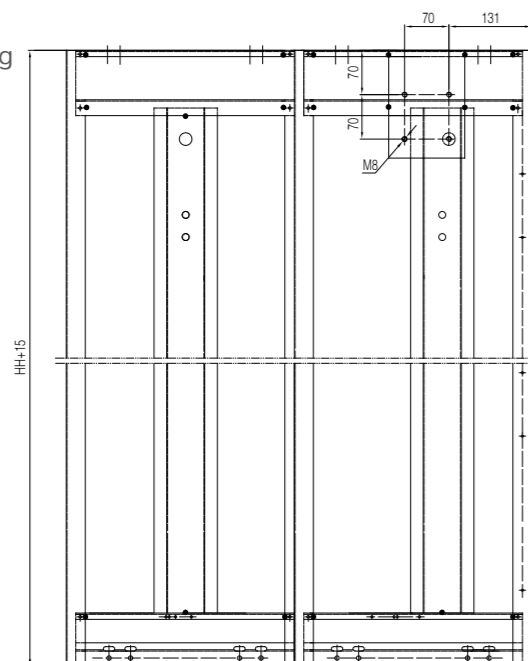
旁开双折层门门扇
2-Leafs Side Opening Landing Door Panel
OPJ0902 / OPJ0906



标准配置
Standard Accessories:

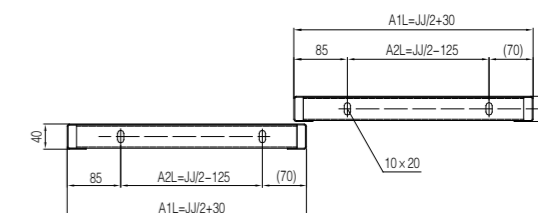
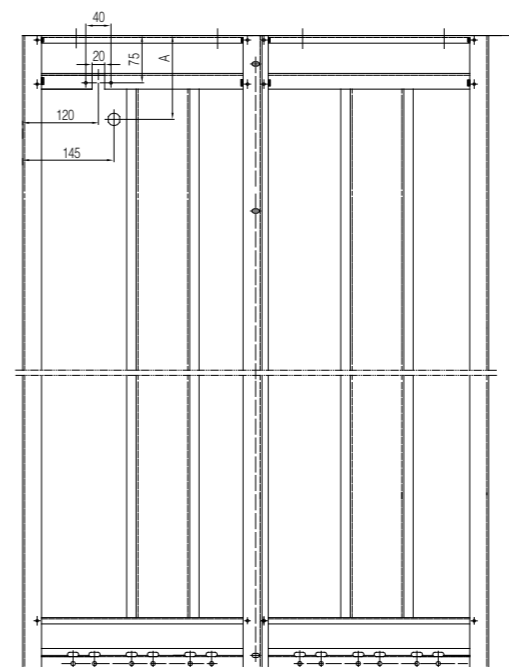
L 号	材料 / Material	备注 / Remarks
L01	钢板喷塑 Painted Steel	按色标可选 As Below Colour
L02	发纹不锈钢 Stainless Steel	本色 Natural

旁开双折轿门门扇
2-Leafs Side Opening Door Operator Panel
OPJ0806



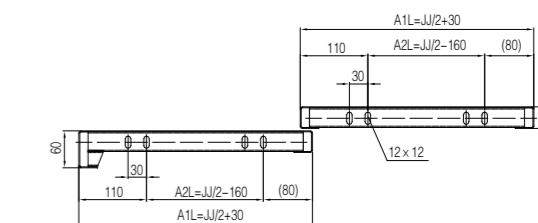
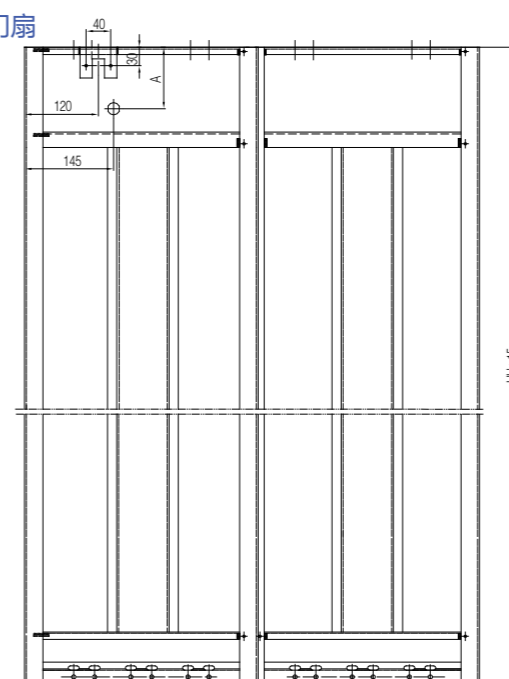
净开门 JJ	700	800	900	1000	1100	1200	1300	1400	1500	1600	1700	1800	非标 JJ
A1L	375	425	475	525	575	625	675	725	775	825	875	925	JJ/2+25
A2L	225	275	325	375	425	475	525	575	625	675	725	775	JJ/2-125

旁开双折层门门扇
2-Leafs Side Opening Landing Door Panel
OPJ0902



净开门 JJ	700	800	900	1000	1100	1200	1300	1400	1500	1600	1700	1800	非标 JJ
A1L	380	430	480	530	580	630	680	730	780	830	880	930	JJ/2+30
A2L	225	275	325	375	425	475	525	575	625	675	725	775	JJ/2-125

旁开双折层门门扇
2-Leafs Side Opening Landing Door Panel
OPJ0906



净开门 JJ	1000	1100	1200	1300	1400	1500	1600	1700	1800	非标 JJ
A1L	530	580	630	680	730	780	830	880	930	JJ/2+30
A2L	340	390	440	490	540	590	640	690	740	JJ/2-160

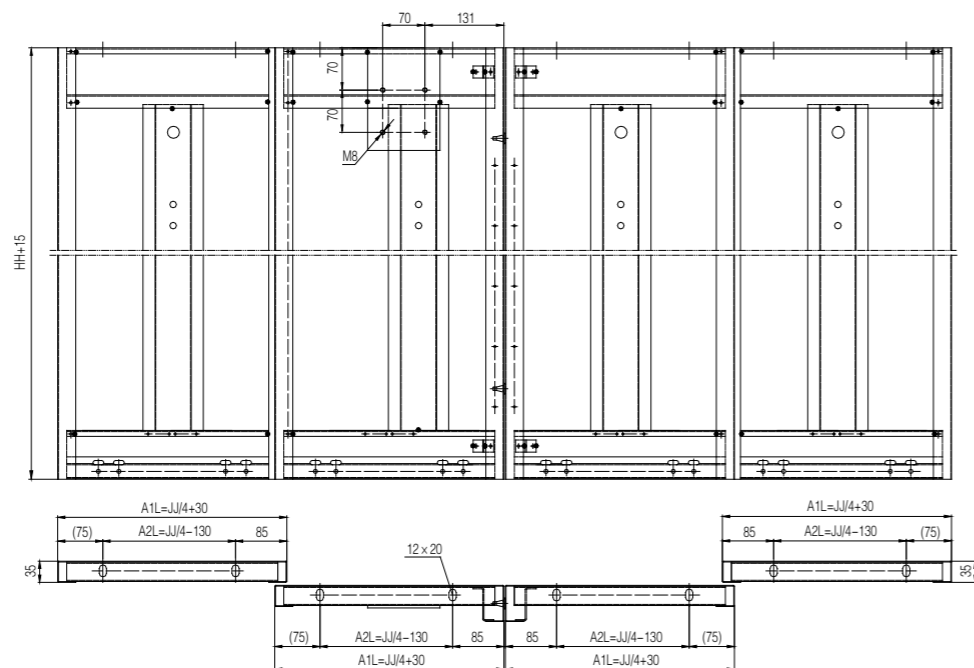
货梯轿门门扇 / 层门门扇

Door Operator Panel and Landing Door Device Panel for Freight Elevator

中分双折轿门门扇 (4-Leafs center opening door operator panel) OPJ0805

标准配置
Standard Accessories:

L号	材料/Material	备注/Remarks
L01	钢板喷塑 Painted Steel	按色标可选 As Below Colour
L02	发纹不锈钢 Stainless Steel	本色 Natural

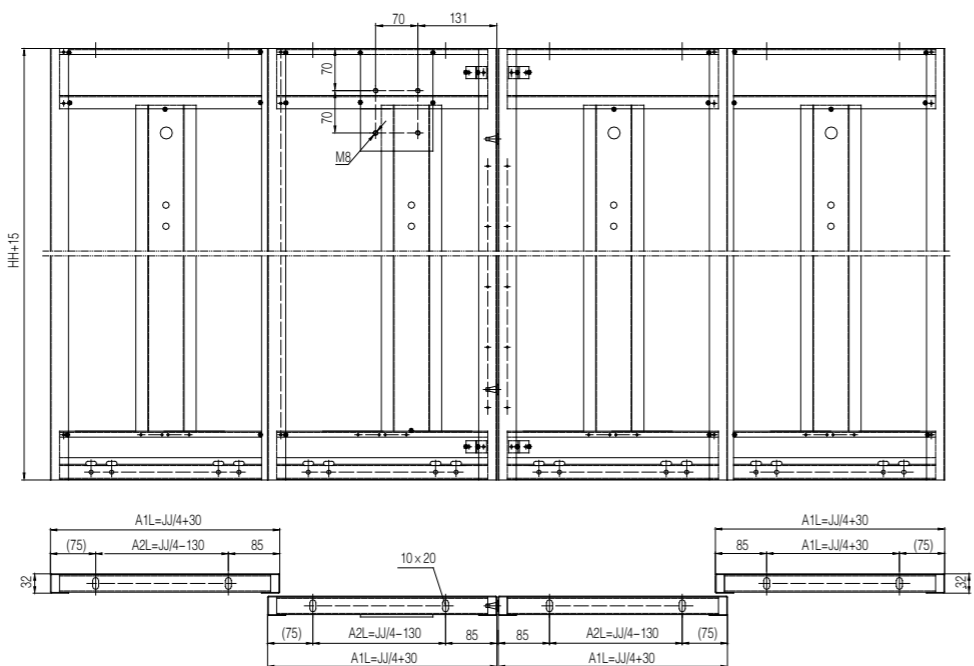


净开门 JJ	1400	1500	1600	1700	1800	1900	2000	2100	2200	2300	2400	2500	2600	2700	2800	2900	3000	非标 JJ
A1L	380	405	430	455	480	505	530	555	580	605	630	655	680	705	730	755	780	JJ/4+30
A2L	220	245	270	295	320	345	370	395	420	445	470	495	520	545	570	595	620	JJ/4-130

中分双折轿门门扇 (4-Leafs center opening door operator panel) OPJ0805A

标准配置
Standard Accessories:

L号	材料/Material	备注/Remarks
L01	钢板喷塑 Painted Steel	按色标可选 As Below Colour
L02	发纹不锈钢 Stainless Steel	本色 Natural

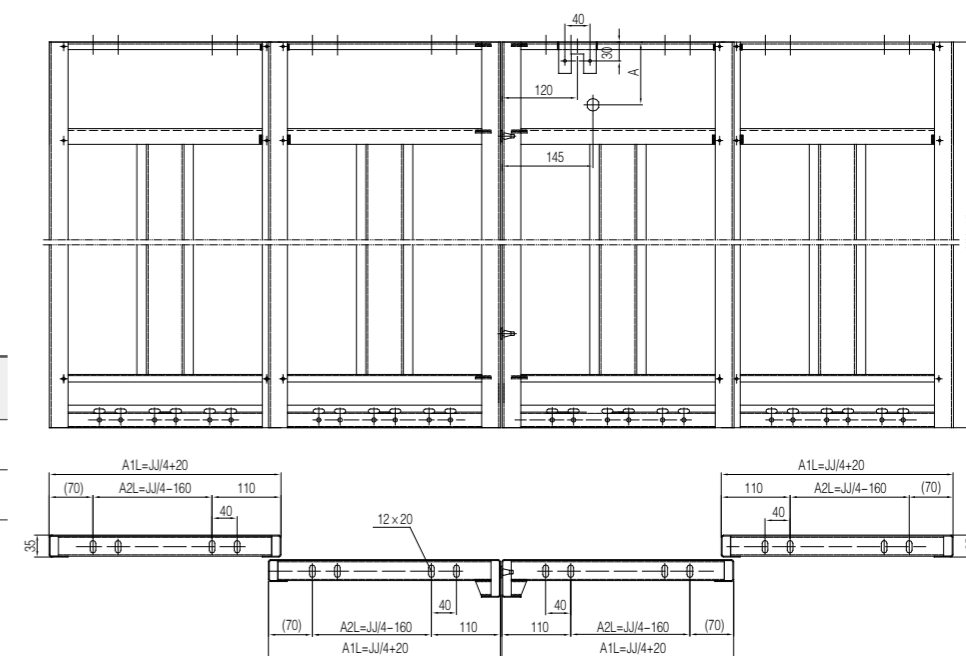


净开门 JJ	1400	1500	1600	1700	1800	1900	2000	2100	2200	2300	2400	2500	2600	2700	2800	2900	3000	非标 JJ
A1L	380	405	430	455	480	505	530	555	580	605	630	655	680	705	730	755	780	JJ/4+30
A2L	220	245	270	295	320	345	370	395	420	445	470	495	520	545	570	595	620	JJ/4-130

中分双折层门门扇 (4-Leafs center opening landing door device panel) OPJ0905

标准配置
Standard Accessories:

L号	材料/Material	备注/Remarks
L01	钢板喷塑 Painted Steel	按色标可选 As Below Colour
L02	发纹不锈钢 Stainless Steel	本色 Natural

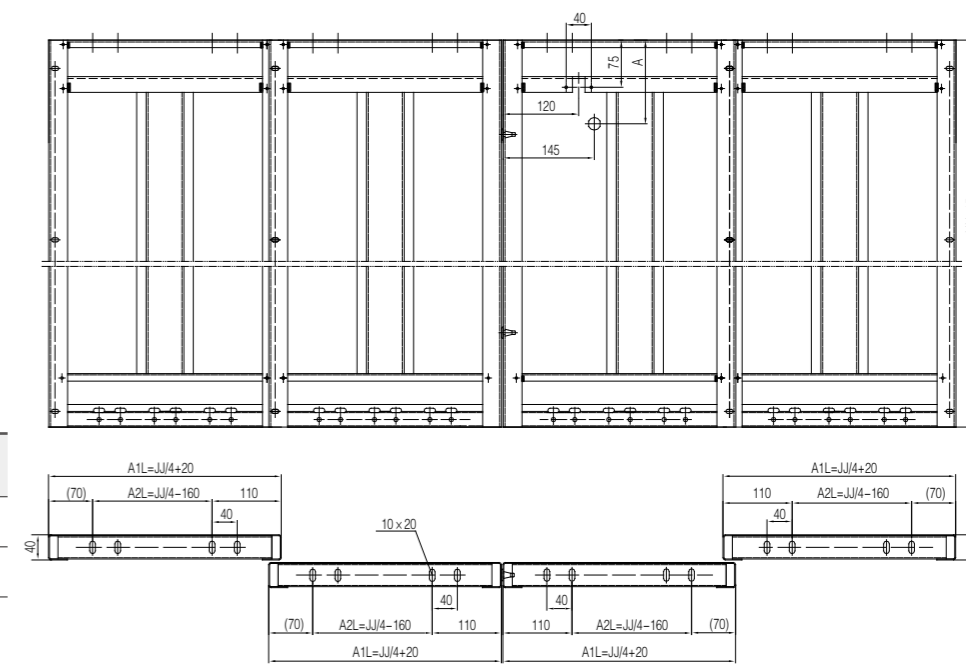


净开门 JJ	1400	1500	1600	1700	1800	1900	2000	2100	2200	2300	2400	2500	2600	2700	2800	2900	3000	非标 JJ
A1L	370	395	420	445	470	495	520	545	570	595	620	645	670	695	720	745	770	JJ/4+20
A2L	190	215	240	265	290	315	340	365	390	415	440	465	490	515	540	565	590	JJ/4-160

中分双折层门门扇 (4-Leafs center opening landing door device panel) OPJ0905A

标准配置
Standard Accessories:

L号	材料/Material	备注/Remarks
L01	钢板喷塑 Painted Steel	按色标可选 As Below Colour
L02	发纹不锈钢 Stainless Steel	本色 Natural



净开门 JJ	1400	1500	1600	1700	1800	1900	2000	2100	2200	2300	2400	2500	2600	2700	2800	2900	3000	非标 JJ
A1L	370	395	420	445	470	495	520	545	570	595	620	645	670	695	720	745	770	JJ/4+20
A2L	190	215	240	265	290	315	340	365	390	415	440	465	490	515	540	565	590	JJ/4-160

货梯地坎 / 地坎组件

Sill / Sill Accessories for Freight Elevator

注：以下地坎为铁板折弯地坎，如需用铸铁地坎需要重新确认。
Note: The below mentioned sills are made of bending steel sheets; cast iron sills are also available while prices should be re-confirmed.

轿门地坎 (铝合金) Car Sill (Alu.)

图号 / Drawing NO: DK05.2L 适用 / For: OMJ05X、OMJ05JDX 系列 (Type)



轿门地坎 (铁板) Car Sill (Steel)

图号 / Drawing NO: DK05.2 适用 / For: OMJ05X、OMJ05JDX 系列 (Type)



轿门地坎 (铝合金) Car Sill (Alu.)

图号 / Drawing NO: DK02.2L 适用 / For: OMJ02X 系列、OMJ06X 系列 (Type)

适用 / For: OMJ500 系列、OMJ501 系列 (Type)

图号 / Drawing NO: DK05.2AL 适用 / For: OMJ05AX 系列、OMJ05BX 系列 (Type)

适用 / For: OMJ200 系列、OMJ201 系列 (Type)



轿门地坎 (铁板) Car Sill (Steel)

图号 / Drawing NO: DK02.2 适用 / For: OMJ02X 系列、OMJ06X 系列 (Type)

适用 / For: OMJ500 系列、OMJ501 系列 (Type)

图号 / Drawing NO: DK05.2A 适用 / For: OMJ05AX 系列、OMJ05BX 系列 (Type)

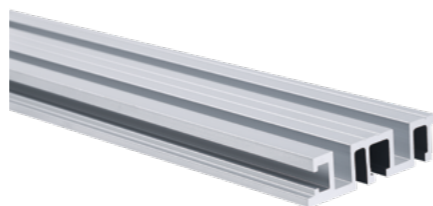
适用 / For: OMJ200 系列、OMJ201 系列 (Type)



层门地坎 (铝合金) Landing Sill (Alu.)

图号 / Drawing NO: DK05.1LX 适用 / For: OCM05X 系列 (Type)

图号 / Drawing NO: DK06.1LX 适用 / For: OCM06X 系列 (Type)



层门地坎 (铁板) Landing Sill (Steel)

图号 / Drawing NO: DK125010X.1 适用 / For: OCM05X 系列 (Type)

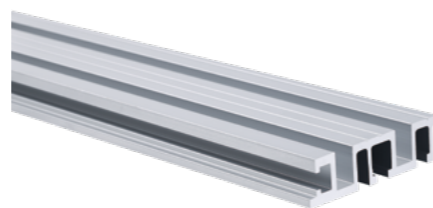
图号 / Drawing NO: DK125013X.1 适用 / For: OCM06X 系列 (Type)



层门地坎 (铝合金) Landing Sill (Alu.)

图号 / Drawing NO: DK05A.1LX 适用 / For: OCM05AX 系列 (Type)

图号 / Drawing NO: DK02.1LX 适用 / For: OCM02AX 系列 (Type)



层门地坎 (铁板) Landing Sill (Steel)

图号 / Drawing NO: DK05AX.1 适用 / For: OCM05AX 系列 (Type)

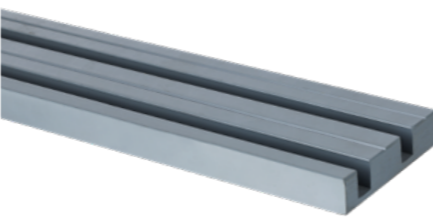
图号 / Drawing NO: DK125016X.1 适用 / For: OCM02AX 系列 (Type)



层门地坎 (钢) Landing Sill (Steel)

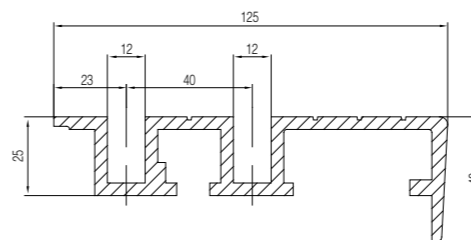
图号 / Drawing NO: DK502096.1 适用 / For: OCM02AX 系列 (Type)

图号 / Drawing NO: DK505096.1 适用 / For: OCM05AX 系列 (Type)



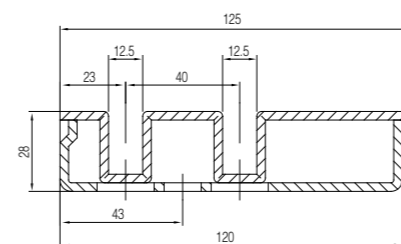
轿门地坎 (铝合金) Car Sill (Alu.)

图号 / Drawing NO: DK05.2L 适用 / For: OMJ05X、OMJ05JDX 系列 (Type)



轿门地坎 (铁板) Landing Sill (Steel)

图号 / Drawing NO: DK05.2 适用 / For: OMJ05X、OMJ05JDX 系列 (Type)



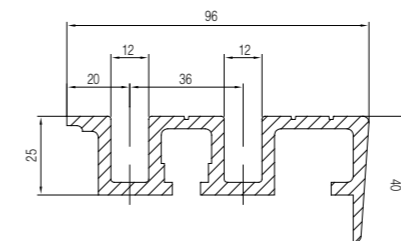
轿门地坎 (铝合金) Car Sill (Alu.)

图号 / Drawing NO: DK02.2L 适用 / For: OMJ02X 系列、OMJ06X 系列 (Type)

适用 / For: OMJ500 系列、OMJ501 系列 (Type)

图号 / Drawing NO: DK05.2AL 适用 / For: OMJ05AX 系列、OMJ05BX 系列 (Type)

适用 / For: OMJ200 系列、OMJ201 系列 (Type)



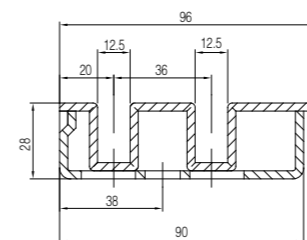
轿门地坎 (铁板) Car Sill (Steel)

图号 / Drawing NO: DK02.2 适用 / For: OMJ02X 系列、OMJ06X 系列 (Type)

适用 / For: OMJ500 系列、OMJ501 系列 (Type)

图号 / Drawing NO: DK05.2A 适用 / For: OMJ05AX 系列、OMJ05BX 系列 (Type)

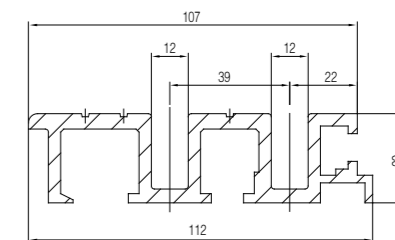
适用 / For: OMJ200 系列、OMJ201 系列 (Type)



层门地坎 (铝合金) Landing Sill (Alu.)

图号 / Drawing NO: DK05.1LX 适用 / For: OCM05X 系列 (Type)

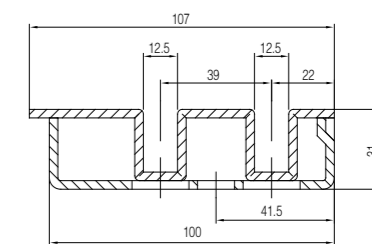
图号 / Drawing NO: DK06.1LX 适用 / For: OCM06X 系列 (Type)



层门地坎 (铁板) Landing Sill (Steel)

图号 / Drawing NO: DK125010X.1 适用 / For: OCM05X 系列 (Type)

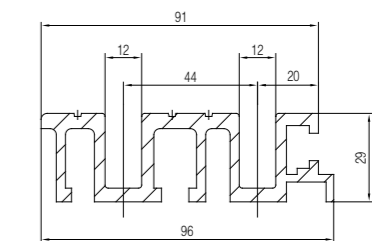
图号 / Drawing NO: DK125013X.1 适用 / For: OCM06X 系列 (Type)



层门地坎 (铝合金) Landing Sill (Alu.)

图号 / Drawing NO: DK05A.1LX 适用 / For: OCM05AX 系列 (Type)

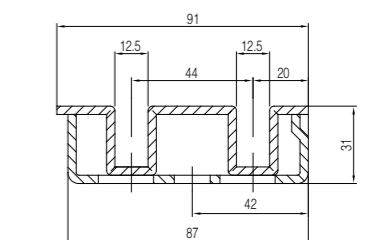
图号 / Drawing NO: DK02.1LX 适用 / For: OCM02AX 系列 (Type)



层门地坎 (铁板) Landing Sill (Steel)

图号 / Drawing NO: DK05AX.1 适用 / For: OCM05AX 系列 (Type)

图号 / Drawing NO: DK125016X.1 适用 / For: OCM02AX 系列 (Type)

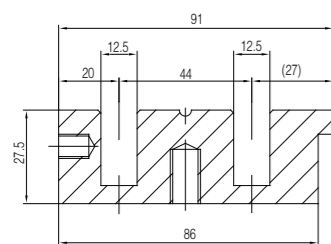


货梯地坎 / 地坎组件

Sill / Sill Accessories for Freight Elevator

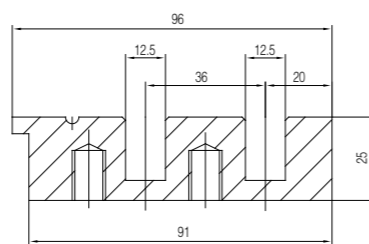
钢层门地坎 Landing Sill (Steel)

图号 / Drawing NO: DK502096.1 适用 / For: OCM02AX 系列 (Type)
图号 / Drawing NO: DK505096.1 适用 / For: OCM05AX 系列 (Type)



钢轿门地坎 Car Sill (Steel)

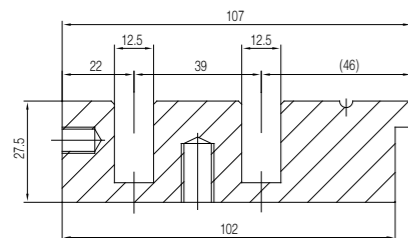
图号 / Drawing NO: DK806096.2 适用 / For: OMJ02X, OMJ06X 系列 (Type)
适用 / For: OMJ500, OMJ501 系列 (Type)



图号 / Drawing NO: DK805096.2 适用 / For: OMJ05AX, OMJ05BX 系列 (Type)
适用 / For: OMJ200, OMJ201 系列 (Type)

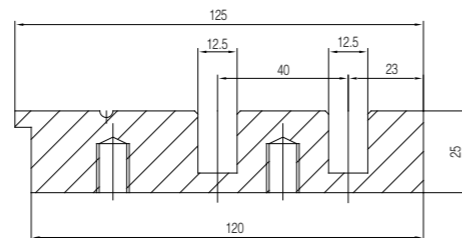
钢层门地坎 Landing Sill (Steel)

图号 / Drawing NO: DK506112.1 适用 / For: OCM06X 系列 (Type)
图号 / Drawing NO: DK505112.1 适用 / For: OCM05X 系列 (Type)



钢轿门地坎 Car Sill (Steel)

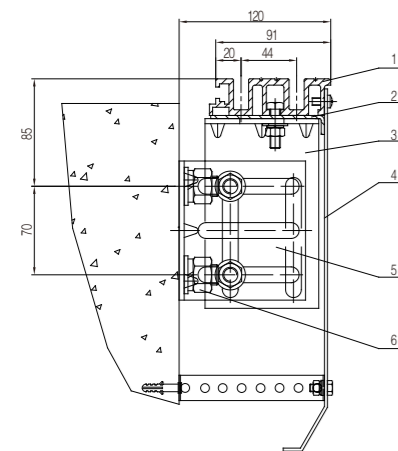
图号 / Drawing NO: DK805125.2 适用 / For: OMJ05X 系列 (Type)



铝层门地坎组件 Landing Sill (Alu.) Module

图号 / Drawing NO: DK012096 适用 / For: OCM02AX 系列 (Type)
图号 / Drawing NO: DK015096 适用 / For: OCM05AX 系列 (Type)

适用电梯载重量 $Q \leq 2000\text{kg}$
Load Capacity $Q \leq 2000\text{kg}$

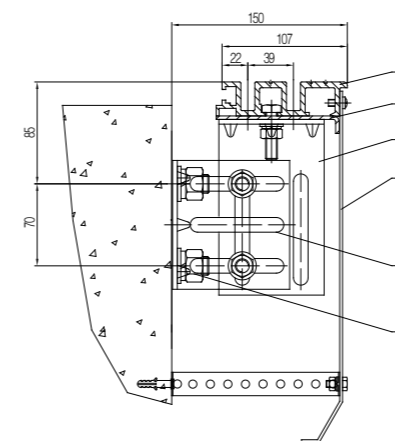


旁开双折 OCM02AX 系列				
净开门宽 JJ	700-1050	1100-1200	1250-1450	1500-1800
N	3	4	4	6
中分双折 OCM05AX 系列				
净开门宽 JJ	1400-1700	1800-2000	2100-2500	2600-3000
N	5	7	9	11
序号	代号	名称	数量	备注
1		铝层门地坎	1	
2		中间加强板	1	
3		连接板	N	
4		层门护脚板	1	
5		固定板	N	
6		膨胀螺栓 M12*100	2*N	

铝层门地坎组件 Landing Sill (Alu.) Module

图号 / Drawing NO: DK016112 适用 / For: OCM06X 系列 (Type)
图号 / Drawing NO: DK015112 适用 / For: OCM05X 系列 (Type)

适用电梯载重量 $Q \leq 2000\text{kg}$
Load Capacity $Q \leq 2000\text{kg}$

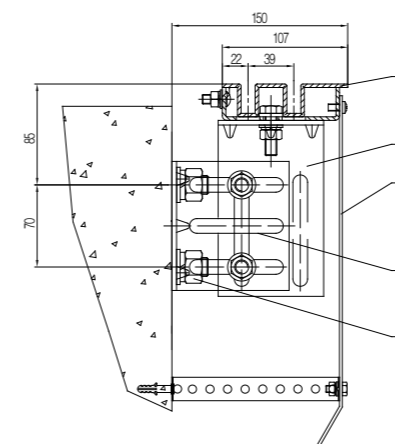


旁开双折 OCM06X 系列				
净开门宽 JJ	1000	1100-1200	1250-1450	1500-1800
N	3	4	4	6
中分双折 OCM05X 系列				
净开门宽 JJ	1400-1700	1800-2000	2100-2500	2600-3000
N	5	7	9	11
序号	代号	名称	数量	备注
1		铝层门地坎	1	
2		中间加强板	1	
3		连接板	N	
4		层门护脚板	1	
5		固定板	N	
6		膨胀螺栓 M12*100	2*N	

铁板层门地坎组件 Landing Sill (Alu.) Module

图号 / Drawing NO: DK026112 适用 / For: OCM06X 系列 (Type)

适用电梯载重量 $Q \leq 2000\text{kg}$
Load Capacity $Q \leq 2000\text{kg}$

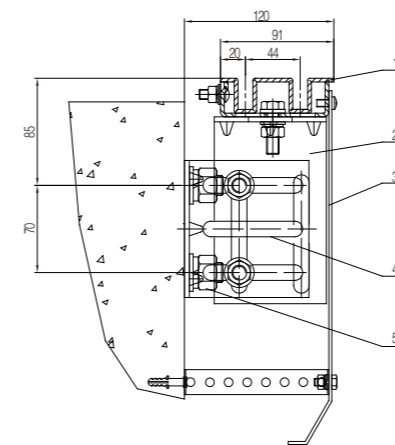


旁开双折 OCM06X 系列				
净开门宽 JJ	1000	1100-1200	1250-1450	1500-1800
N	3	4	4	6
序号	代号	名称	数量	备注
1		铁板层门地坎	1	
2		连接板	N	
3		层门护脚板	1	
4		固定板	N	
5		膨胀螺栓 M12*100	2*N	

铁板层门地坎组件 Landing Sill (Alu.) Module

图号 / Drawing NO: DK022096 适用 / For: OCM02AX 系列 (Type)

适用电梯载重量 $Q \leq 2000\text{kg}$
Load Capacity $Q \leq 2000\text{kg}$



旁开双折 OCM02AX 系列				
净开门宽 JJ	700-1050	1100-1200	1250-1450	1500-1800
N	3	4	4	6
序号	代号	名称	数量	备注
1		铁板层门地坎	1	
2		连接板	N	
3		层门护脚板	1	
4		固定板	N	
5		膨胀螺栓 M12*100	2*N	

中分门系列
2 CO Door System

旁开双折门系列
2 SO Door System

中分双折门系列
4 CO Door System

别墅门系列
Home Lift Door System

中分高速门系列
2 CO High-speed Door System

三折门系列
3-Less Door System

旁开单折门系列
SO Door System

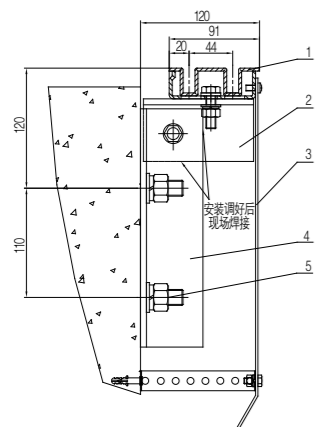
门扇 / 门套 / 地坎系列
Door Panel / Door Jamb / Sill

配件系列
Accessories

安全部件系列
Safety Device

货梯地坎 / 地坎组件

Sill / Sill Accessories for Freight Elevator



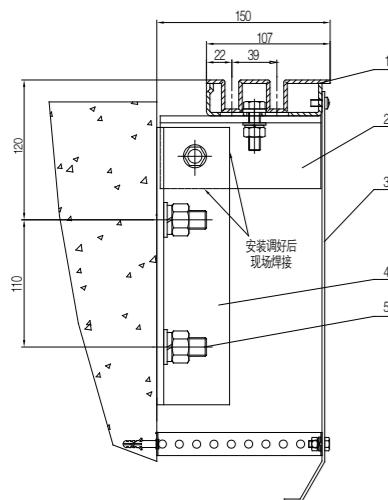
铁板层门地坎组件 Landing Sill (Alu.) Module

适用电梯载重量 $Q \leq 2000\text{kg}$
Load Capacity $Q \leq 2000\text{kg}$

图号 / Drawing NO: DK025096 适用 / For: OCM05AX 系列 (Type)

中分双折 OCM05AX 系列				
净开门宽 JJ	1400-1700	1800-2000	2100-2500	2600-3000
N	5	7	9	11

序号	代号	名称	数量	备注
1		铁板层门地坎	1	
2		地坎支撑架 A	N	
3		层门护脚板	1	
4		地坎支撑架 B	N	
5		膨胀螺栓 M12*100	2*N	



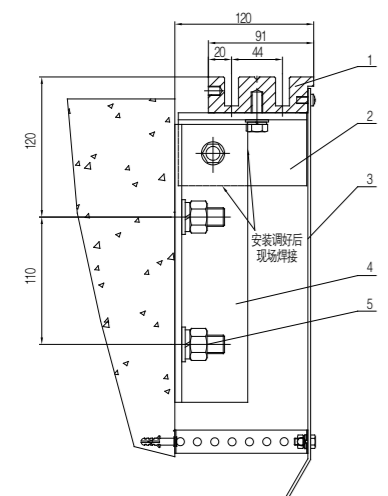
铁板层门地坎组件 Landing Sill (Alu.) Module

适用电梯载重量 $Q \leq 2000\text{kg}$
Load Capacity $Q \leq 2000\text{kg}$

图号 / Drawing NO: DK025112 适用 / For: OCM05X 系列 (Type)

中分双折 OCM05X 系列				
净开门宽 JJ	1400-1700	1800-2000	2100-2500	2600-3000
N	5	7	9	11

序号	代号	名称	数量	备注
1		铁板层门地坎	1	
2		地坎支撑架 A	N	
3		层门护脚板	1	
4		地坎支撑架 B	N	
5		膨胀螺栓 M12*100	2*N	



钢层门地坎组件 Landing Sill (Steel) Module

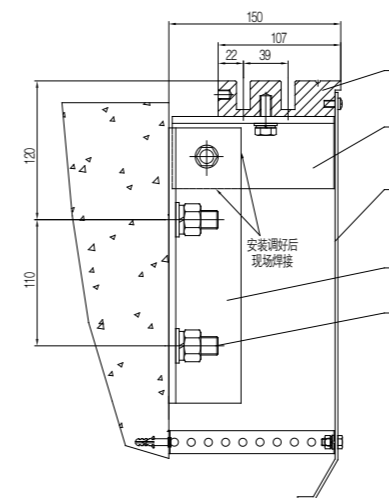
适用电梯载重量 $Q \leq 3000\text{kg}$
Load Capacity $Q \leq 3000\text{kg}$

图号 / Drawing NO: DK502096 适用 / For: OCM02AX 系列 (Type)
图号 / Drawing NO: DK505096 适用 / For: OCM05AX 系列 (Type)

旁开双折 OCM02AX 系列				
净开门宽 JJ	700-1050	1100-1200	1250-1450	1500-1800
N	3	4	4	6

中分双折 OCM05AX 系列				
净开门宽 JJ	1400-1700	1800-2000	2100-2500	2600-3000
N	5	7	9	11

序号	代号	名称	数量	备注
1		钢层门地坎	1	
2		地坎支撑架 A	N	
3		层门护脚板	1	
4		地坎支撑架 B	N	
5		膨胀螺栓 M12*100	2*N	



钢层门地坎组件 Landing Sill (Steel) Module

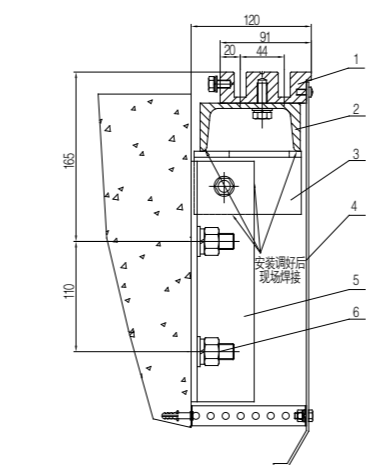
适用电梯载重量 $Q \leq 3000\text{kg}$
Load Capacity $Q \leq 3000\text{kg}$

图号 / Drawing NO: DK506112 适用 / For: OCM06X 系列 (Type)
图号 / Drawing NO: DK505112 适用 / For: OCM05X 系列 (Type)

旁开双折 OCM06X 系列				
净开门宽 JJ	1000	1100-1200	1250-1450	1500-1800
N	3	4	4	6

中分双折 OCM05X 系列				
净开门宽 JJ	1400-1700	1800-2000	2100-2500	2600-3000
N	5	7	9	11

序号	代号	名称	数量	备注
1		钢层门地坎	1	
2		地坎支撑架 A	N	
3		层门护脚板	1	
4		地坎支撑架 B	N	
5		膨胀螺栓 M12*100	2*N	



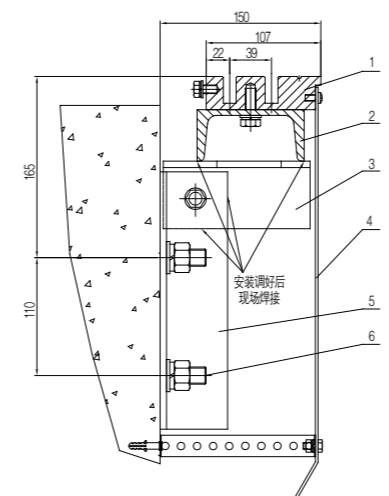
钢层门地坎组件 Landing Sill (Steel) Module

适用电梯载重量 $3000\text{kg} \leq Q \leq 5000\text{kg}$
Load Capacity $3000\text{kg} \leq Q \leq 5000\text{kg}$

图号 / Drawing NO: DK515096 适用 / For: OCM05AX 系列 (Type)

中分双折 OCM05AX 系列				
净开门宽 JJ	1400-1700	1800-2000	2100-2500	2600-3000
N	5	7	9	11

序号	代号	名称	数量	备注
1		钢层门地坎	1	
2		加强槽钢	1	
3		地坎支撑架 A	N	
4		层门护脚板	1	
5		地坎支撑架 B	N	
6		膨胀螺栓 M12*100	2*N	



钢层门地坎组件 Landing Sill (Steel) Module

适用电梯载重量 $3000\text{kg} \leq Q \leq 5000\text{kg}$
Load Capacity $3000\text{kg} \leq Q \leq 5000\text{kg}$

图号 / Drawing NO: DK515112 适用 / For: OCM05X 系列 (Type)

中分双折 OCM05X 系列				
净开门宽 JJ	1400-1700	1800-2000	2100-2500	2600-3000
N	5	7	9	11

序号	代号	名称	数量	备注
1		钢层门地坎	1	
2		加强槽钢	1	
3		地坎支撑架 A	N	
4		层门护脚板	1	
5		地坎支撑架 B	N	
6		膨胀螺栓 M12*100	2*N	

中分门系列
2 CO Door System

旁开双折门系列
2 SO Door System

中分双折门系列
4 CO Door System

侧开门系列
Horn Lift Door System

中分高速门系列
2 CO High-speed Door System

三折门系列
3-Less Door System

旁开单折门系列
SO Door System

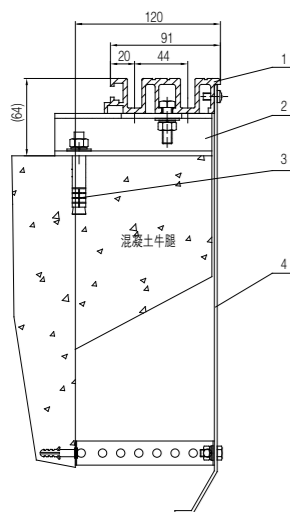
门扇 / 门套 / 地坎系列
Door Panel / Door Jamb / Sill

配件系列
Accessories

安全部件系列
Safety Device

货梯地坎 / 地坎组件

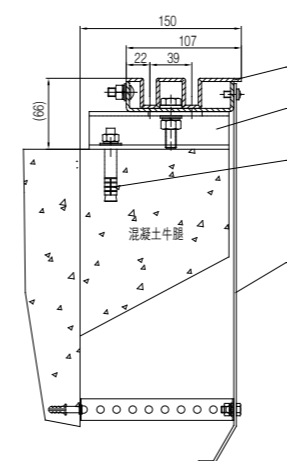
Sill / Sill Accessories for Freight Elevator



(适用混凝土牛腿) 铝层门地坎组件
Landing Sill (Alu.) Module (With Concrete Bracket)

图号 / Drawing NO: DK96200L 适用 / For: OCM02AX 系列 (Type)
图号 / Drawing NO: DK96400L 适用 / For: OCM05AX 系列 (Type)

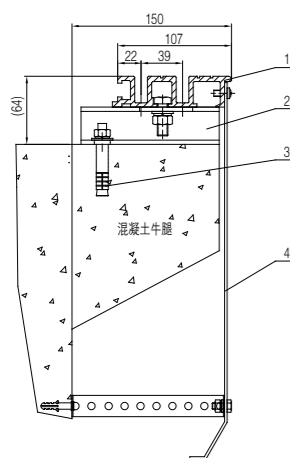
旁开双折 OCM02AX 系列 2-Leafs Side OCM02AX Type				
净开门宽 JJ	700-1050	1100-1450	1500-1800	
N	3	4	5	
中分双折 OCM05AX 系列 4-Leafs Center OCM05AX Type				
净开门宽 JJ	1400-1700	1800-2500	2600-3000	
N	5	7	9	
序号	代号	名称	数量	备注
1		铝层门地坎	1	
2		地坎安装座	N	
3		膨胀螺栓 M8 × 80	2 × N	
4		层门护脚板	1	



(适用混凝土牛腿) 铁板层门地坎组件
Landing Sill (Steel) Module (With Concrete Bracket)

图号 / Drawing NO: DK112200T 适用 / For: OCM06X 系列 (Type)
图号 / Drawing NO: DK112400T 适用 / For: OCM05X 系列 (Type)

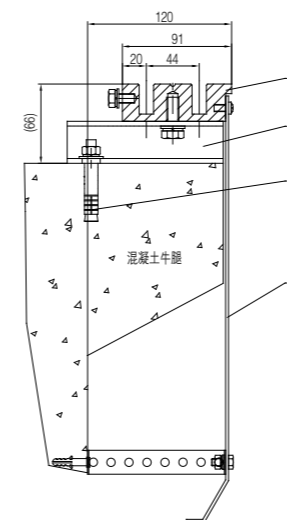
旁开双折 OCM06X 系列 2-Leafs Side OCM06X Type				
净开门宽 JJ	1000	1100-1200	1250-1450	1500-1800
N	3	4	4	6
中分双折 OCM05X 系列 4-Leafs Center OCM05X Type				
净开门宽 JJ	1400-1700	1800-2000	2100-2500	2600-3000
N	5	7	9	11
序号	代号	名称	数量	备注
1		铁板层门地坎	1	
2		地坎安装座	N	
3		膨胀螺栓 M8 × 80	2 × N	
4		层门护脚板	1	



(适用混凝土牛腿) 铝层门地坎组件
Landing Sill (Alu.) Module (With Concrete Bracket)

图号 / Drawing NO: DK112200L 适用 / For: OCM06X 系列 (Type)
图号 / Drawing NO: DK112400L 适用 / For: OCM05X 系列 (Type)

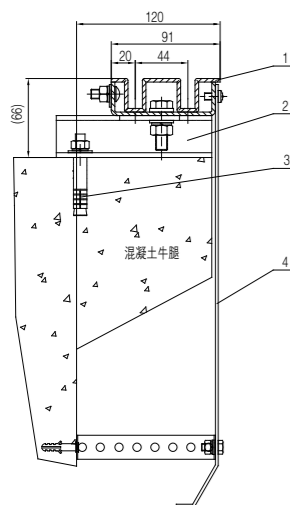
旁开双折 OCM06X 系列 2-Leafs Side OCM06X Type				
净开门宽 JJ	1000	1100-1400	1500-1800	
N	3	4	5	
中分双折 OCM05X 系列 4-Leafs Center OCM05X Type				
净开门宽 JJ	1400-1700	1800-2500	2600-3000	
N	5	7	9	
序号	代号	名称	数量	备注
1		铝层门地坎	1	
2		地坎安装座	N	
3		膨胀螺栓 M8 × 80	2 × N	
4		层门护脚板	1	



(适用混凝土牛腿) 钢层门地坎组件
Landing Sill (Steel) Module (With Concrete Bracket)

图号 / Drawing NO: DK96200G 适用 / For: OCM02AX 系列 (Type)
图号 / Drawing NO: DK96400G 适用 / For: OCM05AX 系列 (Type)

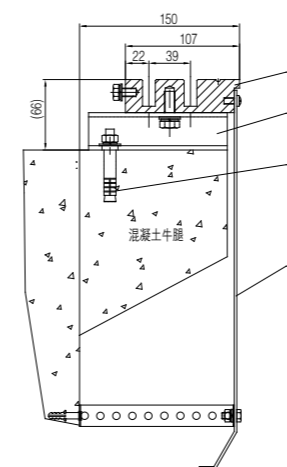
旁开双折 OCM02AX 系列 2-Leafs Side OCM02AX Type				
净开门宽 JJ	700-1050	1100-1200	1250-1450	1500-1800
N	3	4	4	6
中分双折 OCM05AX 系列 4-Leafs Center OCM05AX Type				
净开门宽 JJ	1400-1700	1800-2000	2100-2500	2600-3000
N	5	7	9	11
序号	代号	名称	数量	备注
1		钢层门地坎	1	
2		地坎安装座	N	
3		膨胀螺栓 M8 × 80	2 × N	
4		层门护脚板	1	



(适用混凝土牛腿) 铁板层门地坎组件
Landing Sill (Steel) Module (With Concrete Bracket)

图号 / Drawing NO: DK96200T 适用 / For: OCM02AX 系列 (Type)
图号 / Drawing NO: DK96400T 适用 / For: OCM05AX 系列 (Type)

旁开双折 OCM02AX 系列 2-Leafs Side OCM02AX Type				
净开门宽 JJ	700-1050	1100-1200	1250-1450	1500-1800
N	3	4	4	6
中分双折 OCM05AX 系列 4-Leafs Center OCM05AX Type				
净开门宽 JJ	1400-1700	1800-2000	2100-2500	2600-3000
N	5	7	9	11
序号	代号	名称	数量	备注
1		铁板层门地坎	1	
2		地坎安装座	N	
3		膨胀螺栓 M8 × 80	2 × N	
4		层门护脚板	1	



(适用混凝土牛腿) 钢层门地坎组件
Landing Sill (Steel) Module (With Concrete Bracket)

图号 / Drawing NO: DK112200G 适用 / For: OCM06X 系列 (Type)
图号 / Drawing NO: DK112400G 适用 / For: OCM05X 系列 (Type)

旁开双折 OCM06X 系列 2-Leafs Side OCM06X Type				
净开门宽 JJ	1000	1100-1200	1250-1450	1500-1800
N	3	4	4	6
中分双折 OCM05X 系列 4-Leafs Center OCM05X Type				
净开门宽 JJ	1400-1700	1800-2000	2100-2500	2600-3000
N	5	7	9	11
序号	代号	名称	数量	备注
1		钢层门地坎	1	
2		地坎安装座	N	
3		膨胀螺栓 M8 × 80	2 × N	
4		层门护脚板	1	

货梯小门套组件

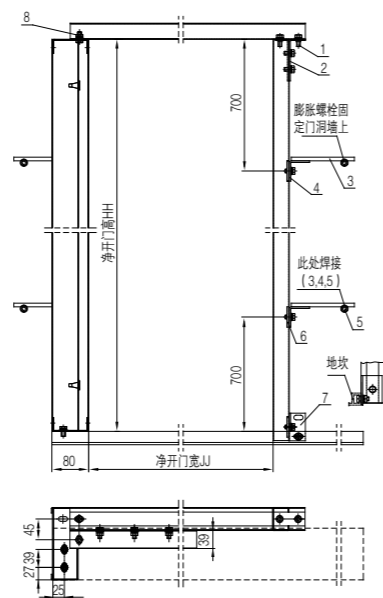
Jamb / Jamb Accessories for Freight Elevator

112 型旁开双折层门小门套组件及安装附件 2-Lefts Side Landing Door Jamb (Installation) Accessories(With 112 sill)

小门套组件 Drawing NO: OPJ1002

安装附件 Installation Accessories Drawing NO: OPJ1002-10

序号 (No)	代号 (Code)	名称 (Name)	数量 (Qty)	备注 (Note)
1	GB/T5783	螺栓 M8*20	10	
	GB/T96	大垫圈 8	10	
	GB/T93	垫圈 8	10	
2	TDA1C051001	上连接支架	2	
3	OPJ1001D.7	门套固定杆	4	
4	TDA1C051003	中下连接支架	2	
5		膨胀螺栓 M8*80	4	
6	TDA1C051002	固定板	3	
7	OPJ1004.2	地坎安装座	1	
8	GB/T6170	螺母 M8	3	



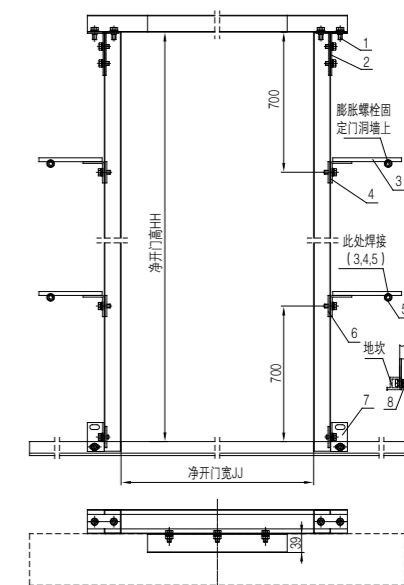
注：当净开门高 HH > 2500 时客户需考虑门套立柱固定零件 3,4,5 及标准件的增加。
Notice: when HH>2500, Customer should add accessories of landing door jamb (3,4,5) and standard components.

112 型中分双折层门小门套组件及安装附件 4-Lefts Center Landing Door Jamb (Installation) Accessories (With 112 sill)

小门套组件 Drawing NO: OPJ1004

安装附件 Installation Accessories Drawing NO: OPJ1004-10

序号 (No)	代号 (Code)	名称 (Name)	数量 (Qty)	备注 (Note)
1	GB/T5783	螺栓 M8*20	12	
	GB/T96	大垫圈 8	12	
	GB/T93	垫圈 8	12	
2	TDA1C051001	上连接支架	4	
3	OPJ1001D.7	门套固定杆	4	
4	TDA1C051003	中下连接支架	4	
5		膨胀螺栓 M8*80	4	
6	TDA1C051002	固定板	6	
7	OPJ1004.2	地坎安装座	2	
8	GB/T6170	螺母 M8	2	



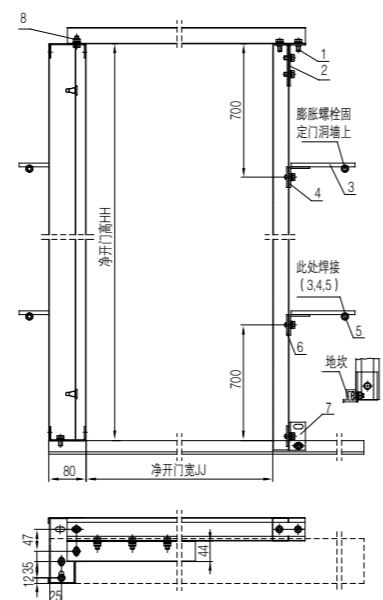
注：当净开门高 HH > 2500 时客户需考虑门套立柱固定零件 3,4,5 及标准件的增加。
Notice: when HH>2500, Customer should add accessories of landing door jamb (3,4,5) and standard components.

96 型旁开双折层门小门套组件及安装附件 2-Lefts Side Landing Door Jamb Installation Accessories (With 96 sill)

小门套组件 Drawing NO: OPJ1002A

安装附件 Installation Accessories Drawing NO: OPJ1002-10

序号 (No)	代号 (Code)	名称 (Name)	数量 (Qty)	备注 (Note)
1	GB/T5783	螺栓 M8*20	10	
	GB/T96	大垫圈 8	10	
	GB/T93	垫圈 8	10	
2	TDA1C051001	上连接支架	2	
3	OPJ1001D.7	门套固定杆	4	
4	TDA1C051003	中下连接支架	2	
5		膨胀螺栓 M8*80	4	
6	TDA1C051002	固定板	3	
7	OPJ1004.2	地坎安装座	1	
8	GB/T6170	螺母 M8	3	



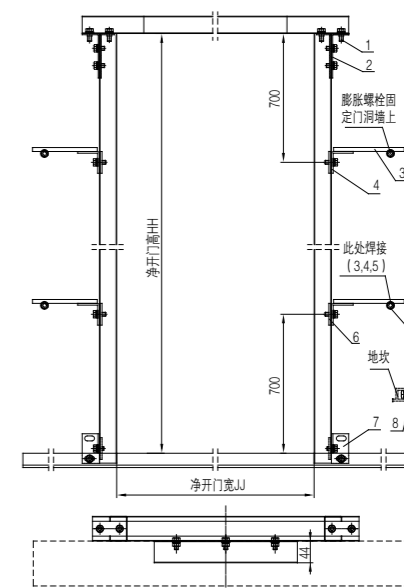
注：当净开门高 HH > 2500 时客户需考虑门套立柱固定零件 3,4,5 及标准件的增加。
Notice: when HH>2500, Customer should add accessories of landing door jamb (3,4,5) and standard components.

96 型中分双折层门小门套组件及安装附件 4-Lefts Center Landing Door Jamb (Installation) Accessories (With 96 sill)

小门套组件 Drawing NO: OPJ1004A

安装附件 Installation Accessories Drawing NO: OPJ1004-10

序号 (No)	代号 (Code)	名称 (Name)	数量 (Qty)	备注 (Note)
1	GB/T5783	螺栓 M8*20	12	
	GB/T96	大垫圈 8	12	
	GB/T93	垫圈 8	12	
2	TDA1C051001	上连接支架	4	
3	OPJ1001D.7	门套固定杆	4	
4	TDA1C051003	中下连接支架	4	
5		膨胀螺栓 M8*80	4	
6	TDA1C051002	固定板	6	
7	OPJ1004.2	地坎安装座	2	
8	GB/T6170	螺母 M8	2	



注：当净开门高 HH > 2500 时客户需考虑门套立柱固定零件 3,4,5 及标准件的增加。
Notice: when HH>2500, Customer should add accessories of landing door jamb (3,4,5) and standard components.

客梯系列门机主要零部件

Components For Door Operator of the Passage Elevator



门控制器
Inverter
识别号: OLVF300-1
Serial NO: OLVF300-1



门控制器
Inverter
识别号: OLVF200-1
Serial NO: OLVF200-1



门控制器
Inverter
识别号: NICE-D-A-SOP4-OL2
Serial NO: NICE-D-A-SOP4-OL2



门控制器
Inverter
识别号: AAD03040D-OL
Serial NO: AAD03040D-OL



门控制器
Inverter
识别号: AAD03011DK
Serial NO: AAD03011DK



永磁同步电机
Permanent Magnet Motor
识别号: YCT133-2.7
Serial NO: YCT133-2.7



异步变频电机
Motor (Asynchronous)
识别号: YBP80-6Y4
Serial NO: YBP80-6Y4



异步变频电机
Motor (Asynchronous)
识别号: YBP90-6
Serial NO: YBP90-6



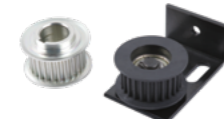
皮带轮
Belt Pulley
识别号: OMJ09X.1.7-1
Serial NO: OMJ09X.1.7-1



皮带轮
Belt Pulley
识别号: OMJ01.8.1B
Serial NO: OMJ01.8.1B



轴承座 / 主动轮 / 从动轮组件
Bearing Stand / Bearing / Driven Wheel Module
识别号: OMJ01.8.2A / OMJ01.8-3 / OMJ01.17
Serial NO: OMJ01.8.2A / OMJ01.8-3 / OMJ01.17



驱动同步带轮 / 从动轮组件
Synchronous Belt Drive Wheel / Driven Wheel Module
识别号: OMJ09.1.5-2 / OMJ11.1.2
Serial NO: OMJ09.1.5-2 / OMJ11.1.2



驱动皮带
Belt
识别号: 1280(V形切边带)
Serial NO: 1280



传动皮带 (同步带)
Belt
识别号: HTD-5M
Serial NO: HTD-5M



传动皮带 (同步带)
Belt
识别号: STPD / STS-S8M
Serial NO: STPD/STS-S8M



(集成轿门锁) 同步门刀组件
(With door lock function) Synchronous Door Vane Module
Drawing NO: M1001001



(集成轿门锁) 门刀组件
(With door lock function) Door Vane Module
Drawing NO: OMJ09X.2



锁舌组件
Spring Bolt Module
Drawing NO: OMJ09X.3



门刀组件 / 连杆组件
Door Vane / Connecting Rod
识别号: A1024A300S / OMJ01.28B
Serial NO: A1024A300S / OMJ01.28B



轿门挂轮 $\Phi 72$
 $\Phi 72$ Pulley
识别号: D227002
Serial NO: D227002



挂板导向轮
Guide Wheel
识别号: D227005
Serial NO: D227005



131 轿门开关
131 Car Door Switch
识别号: A1055C131
Serial NO: A1055C131



触点开关
Contact Switch
识别号: M5000047
Serial NO: M5000047



电子式双稳态开关组件
Electronic Bistable Switch Module
识别号: KCB_R-III A
Serial NO: KCB_R-III A

客梯系列层门主要零部件

Components For Landing Door Device of the Passage Elevator



上坎架
Landing Door Base Plate
识别号: OCM01B4.1.1
Serial NO: OCM01B4.1.1



层门挂板
Landing Door Hanger
识别号: OCM01B2.1.2/2.1.3
Serial NO: OCM01B2.1.2/2.1.3



连锁装置 / 互锁
Product Name: Interlock / Lock Hook
识别号: OCM01B4.1.4/4.1.5
Serial NO: OCM01B4.1.4 / 4.1.5



$\Phi 48$ 门挂轮
 $\Phi 48$ Pulley
识别号: A1022A748
Serial NO: A1022A748



$\Phi 56$ 门挂轮
 $\Phi 56$ Pulley
识别号: A022A756
Serial NO: A022A756



挂板导向轮
Guide Wheel
识别号: A1022C890A
Serial NO: A1022C890A



$\Phi 68$ 绳轮组件
 $\Phi 68$ Pulley Module
识别号: A1027BL401A
Serial NO: A1027BL401A



传动钢丝绳
Driven Wire Rope
识别号: OCM01B4.1.3
Serial NO: OCM01B4.1.3



$\Phi 90$ 绳轮
 $\Phi 90$ Pulley
识别号: A1027B420
Serial NO: A1027B420



$\Phi 60$ 重锤绳轮
 $\Phi 60$ Pulley
识别号: D228005A
Serial NO: D228005A



门锁开关组件
Door Lock
识别号: A1022A701X/A1022A700D
Serial NO: A1022A701X/A1022A700D



161 门锁
161 Door Lock
识别号: A1022A701B/A1022A700D
Serial NO: A1022A701B/A1022A700D



触点开关
Contact Switch
识别号: A1035A600.2/A1035A600.1
Serial NO: A1035A600.2/A1035A600.1



被动门开关
Passive Door Switch
识别号: A1033A300/A1023A800
Serial NO: A1033A300/A1023A800



弹簧式 (强迫关门装置)
Spring
识别号: A1066E100CL
Serial NO: A1066E100CL



重锤组件
Weight Module
识别号: D252000
Serial NO: D252000



导向管组件
Guiding Pipe
识别号: A1025B700
Serial NO: A1025B700



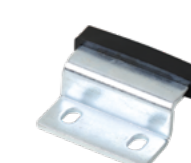
三角锁 90° (左/右) / 钥匙
Triangle Lock Key
识别号: A1026A110/A1026111-E
Serial NO: A1026A110/A1026111-E



三角锁 360° / 钥匙
Triangle Lock Key
识别号: A1026A110X/A1026111-E
Serial NO: A1026A110X/A1026111-E



门滑块
Door Slider
识别号: A1027A300.2A
Serial NO: A1027A300.2A

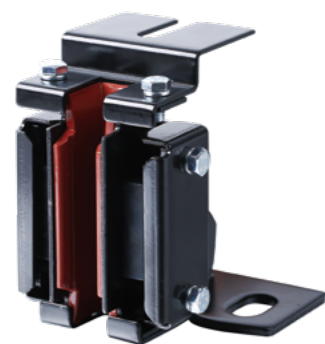


门滑块
Door Slider
识别号: H1024105.1.3
Serial NO: H1024105.1.3

中分门系列
2 CO Door System
旁开双折门系列
2 SO Door System
中分双折门系列
4 CO Door System
侧壁折门系列
Horn Lift Door System
中分高速折门系列
2 CO High-speed Door System
三折门系列
3-Leafs Door System
旁开单折门系列
SO Door System
门扇 / 门套 / 地坎系列
Door Panel / Door Jamb / Sill
配件系列
Accessories
安全部件系列
Safety Device

电梯配套件系列

Elevator Fittings Series



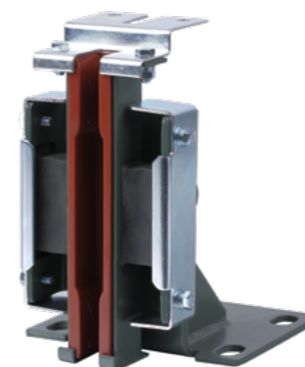
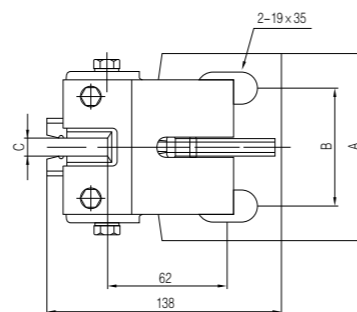
滑动导靴

Sliding Guide Shoe

识别号 / Serial NO: D444000

技术参数 / Technical Parameters
 额定速度 / Rated Speed $\leq 2.0\text{m/s}$
 导轨宽度 / Guide Rail Width B1=10mm、16mm

G00	A	B	C
G01	110	70	11
G02	140	90	11
G03	110	70	17
G04	140	90	17



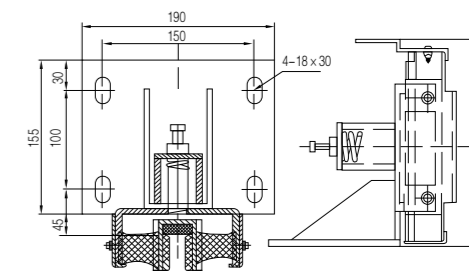
导靴

Guide Shoe

识别号 / Serial NO: D448000

技术参数 / Technical Parameters
 额定速度 / Rated Speed $\leq 2.5\text{m/s}$
 导轨宽度 / Guide Rail Width 10mm、16mm

BFK	规格
10	G01
16	G02



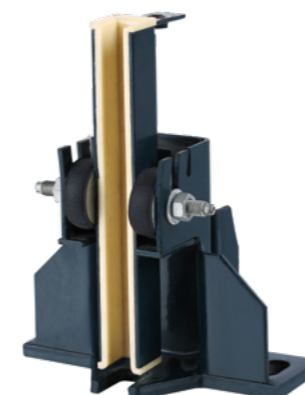
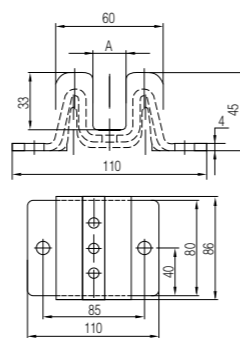
空心导轨靴

Guide Shoe(Hollow Track)

识别号 / Serial NO: D445000

技术参数 / Technical Parameters
 额定速度 / Rated Speed $\leq 2.5\text{m/s}$
 导轨宽度 / Guide Rail Width 10mm、16mm

导轨宽	A
10	12
16	18



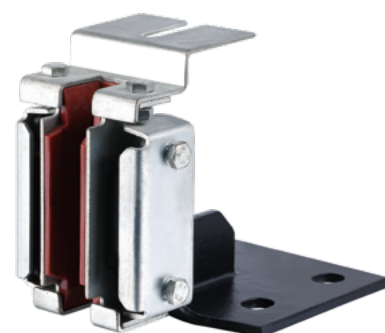
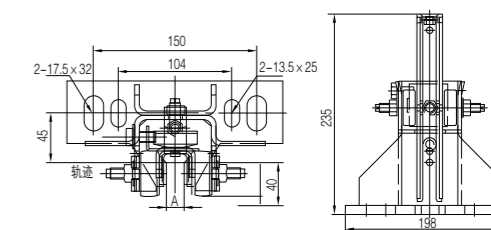
B22X 滑动导靴

B22X Sliding Guide Shoe

识别号 / Serial NO: D441300

技术参数 / Technical Parameters
 额定速度 / Rated Speed $\leq 2.5\text{m/s}$
 负载重量 GQ/ Loading Capacity GQ $\leq 1250\text{kg}$
 导轨宽度 / Guide Rail Width 16mm

G00	A
G01	16
G02	10



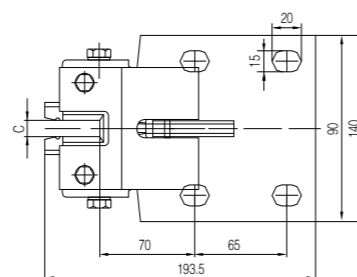
广日滑动导靴

Sliding Guide Shoe

识别号 / Serial NO: D447000

技术参数 / Technical Parameters
 额定速度 / Rated Speed $\leq 2.0\text{m/s}$
 导轨宽度 / Guide Rail Width 10mm、16mm

导轨宽	C
10	11
16	17

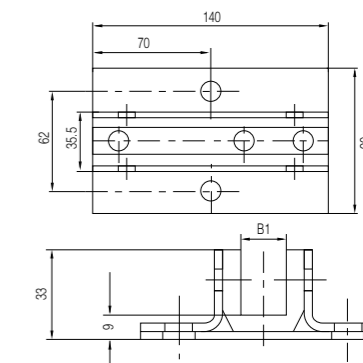


滑动导靴

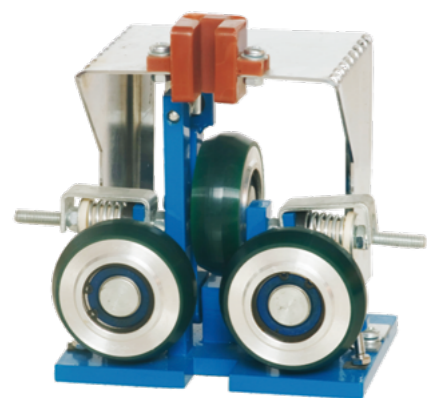
Sliding Guide Shoe

识别号 / Serial NO: D443000

技术参数 / Technical Parameters
 额定速度 / Rated Speed $\leq 2.5\text{m/s}$
 导轨宽度 / Guide Rail Width B1=10mm、16mm

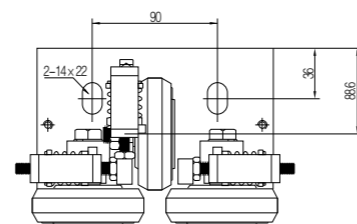
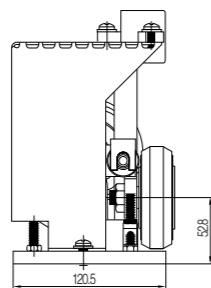
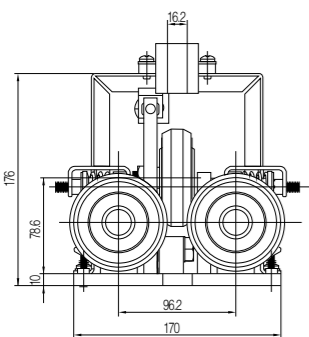


电梯配套件系列
Elevator Fittings Series



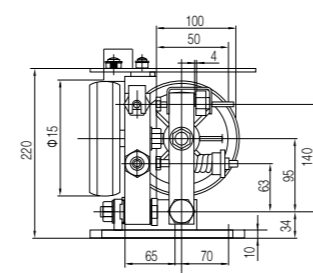
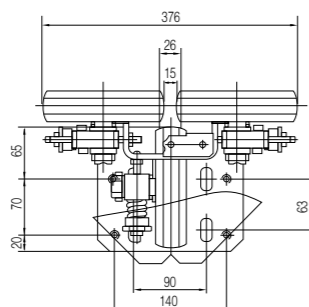
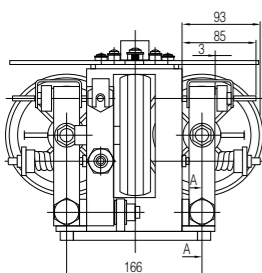
滚轮导靴 GDX01
Roller Guide Shoe

技术参数 / Technical Parameters
额定速度 / Rated Speed: $\leq 3.50\text{m/s}$
导轨宽度 / Guide Rail Width: 10mm、16mm



滚轮导靴 GDX02
Roller Guide Shoe

技术参数 / Technical Parameters
额定速度 / Rated Speed: $\leq 3.50\text{m/s}$
导轨宽度 / Guide Rail Width: 10mm、16mm



圆型油杯
Round Oil Can
识别号 / Serial No: J100/D454000



方型油杯
Square Oil Can
识别号 / Serial No: J140/D464000



棉纱型圆油杯
Round Oil Can With Cotton Yarn
识别号 / Serial No: J103



通力油杯
Oil Can
识别号 / Serial No: J170



圆型集油器
Round Oil Collector
识别号 / Serial No: J110/D454001



方型集油器
Square Oil Collector
识别号 / Serial No: J120/D464001



轿底减震器
Car Bottom Damping Mat
识别号 / Serial No: D879000

载荷 / Load	1000kg	1500kg	2000kg
邵氏硬度 / Hardness	50 ± 5	60 ± 5	70 ± 5



曳引机减震垫
Traction Damping Mat
识别号 / Serial No: D878000

载荷 / Load	1000kg	1500kg	2000kg
邵氏硬度 / Hardness	50 ± 5	60 ± 5	70 ± 5



曳引机减震垫
Traction Damping Mat
识别号 / Serial No: D876000

载荷 / Load	1000kg	1500kg	2000kg
邵氏硬度 / Hardness	50 ± 5	60 ± 5	70 ± 5

电梯配套件系列
Elevator Fittings Series



轿顶卡板
Car Top Grip Board
识别号 /Serial No: D151000



F 型胶垫
F-Type Rubber Mat
识别号 /Serial No: D877020



门滑块
Door Slider
识别号 /Serial No: D284006

开关箱、检修盒系列
Terminal switch box and Inspection box Series



检修盒 Inspection box
识别号 /Serial No: JXB200



井底检修盒 WGB-D
识别号 /Serial No: JXB300



急停开关 Emergency Stop switch
识别号 /Serial No: JXB310

风扇系列 Cross Flow Fan



横流式风扇 Cross-flow fan
识别号 /Serial No: RX-FB-9B



横流式风扇 Cross-flow fan
识别号 /Serial No: RX-FB-330



横流式风扇 Cross-flow fan
识别号 /Serial No: RX-FB-149



横流式风扇 (日立) Cross-flow fan (HITACHI)
识别号 /Serial No: QJ-CF-971L



圆形风扇 Roundness fan
识别号 /Serial No: BRA-300



电梯终端开关箱 Switch box for elevator
识别号 /Serial No: JXB100



照明灯 Floodlight
识别号 /Serial No: JXB320

安全部件系列

XS240-A 防溜车型单向限速器

Non-Slip One-Way Governor



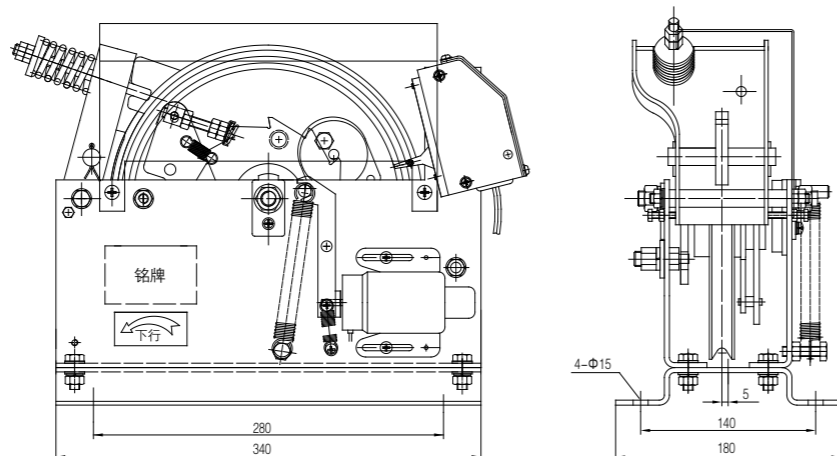
技术参数 / Technical Specifications

- ◎ 额定速度 :V= 0.25~2.5 m/s
- ◎ 钢丝绳直径 :Φ8 mm
- ◎ 绳轮节圆直径 :Φ240 mm
- ◎ 涨紧力 : 500~1600 N
- ◎ Rated Speed:V= 0.25~2.5 m/s
- ◎ Rope Dia: Φ8 mm
- ◎ Sheave Diameter: Φ240 mm
- ◎ Rope Tension Force:500~1600 N

产品说明 / Description:

该系列限速器为有机房单向限速器，具有防止电梯平层开门后下行溜车功能，防止轿厢在平层开门状态下的下行滑动，提高电梯安全性。

This governor is for machine room, with the anti-slip function when door opens on leveling, to stop moving down of cabin, improve the safety of lift.

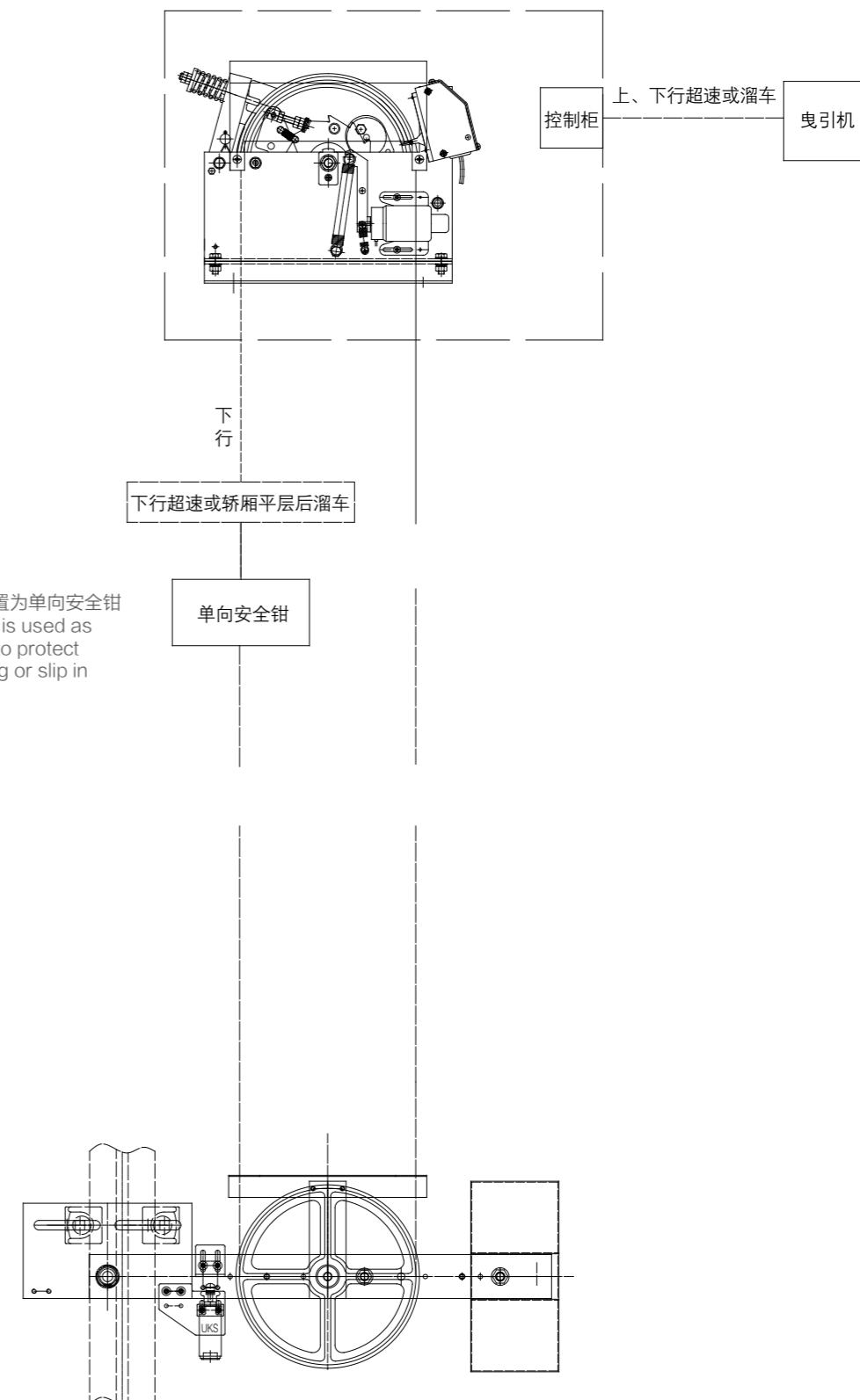


限速器附件 / Governor Attachment:

序号 / No.	图号 / Figure	名称 / Name	规格 / Specs	单位 / Unit	数量 / Qty	图示 / Diagrammatic Presentation	备注 / Note
1	XS240.20	钢丝绳连接件		套	1		组件
2		压道板组件		套	2		组件
3		钢丝绳夹头	Φ8	套	6		

单向限速器平层防溜车系统示意图

Non-Slip One-Way Governor Schematic Diagram



下行超速或溜车保护装置为单向安全钳
One-way safety gear is used as the protection device to protect against over-speeding or slip in downward stroke.

中分门系列
2 CO Door System
旁开双折门系列
2 SO Door System
中分双折门系列
4 CO Door System
别墅门系列
Home Lift Door System
中分高速门系列
2 CO High-speed Door System
三折门系列
3-Let's Door System
旁开单折门系列
SO Door System
门扇 / 门套 / 地坎系列
Door Panel / Door L jamb / Sill
配件系列
Accessories
安全部件系列
Safety Device

安全部件系列

XS240 单向限速器

One-Way Governor

技术参数 / Technical Specifications

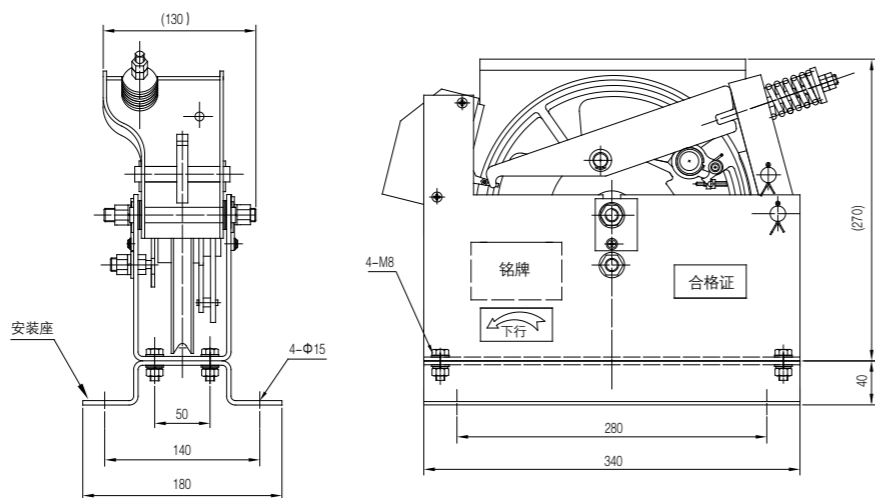
- 额定速度 :V= 0.25~2.5 m/s
- 钢丝绳直径 :Φ8 mm
- 绳轮节圆直径 :Φ240 mm
- 涨紧力 :500~1600 N
- Rated Speed:V= 0.25~2.5 m/s
- Rope Dia:Φ8 mm
- Sheave Diameter:Φ240 mm
- Rope Tension Force:500~1600 N



产品说明 / Description:

- 此限速器适用于配置无齿曳引机;
- 此限速器适配于 ZJ240、ZJ240A、ZJ240B 或 ZJ260 涨紧装置;

- This governor is matching for gearless traction machine;
- The governor is matching to ZJ240、ZJ240A、ZJ240B or ZJ260 tensioning device;

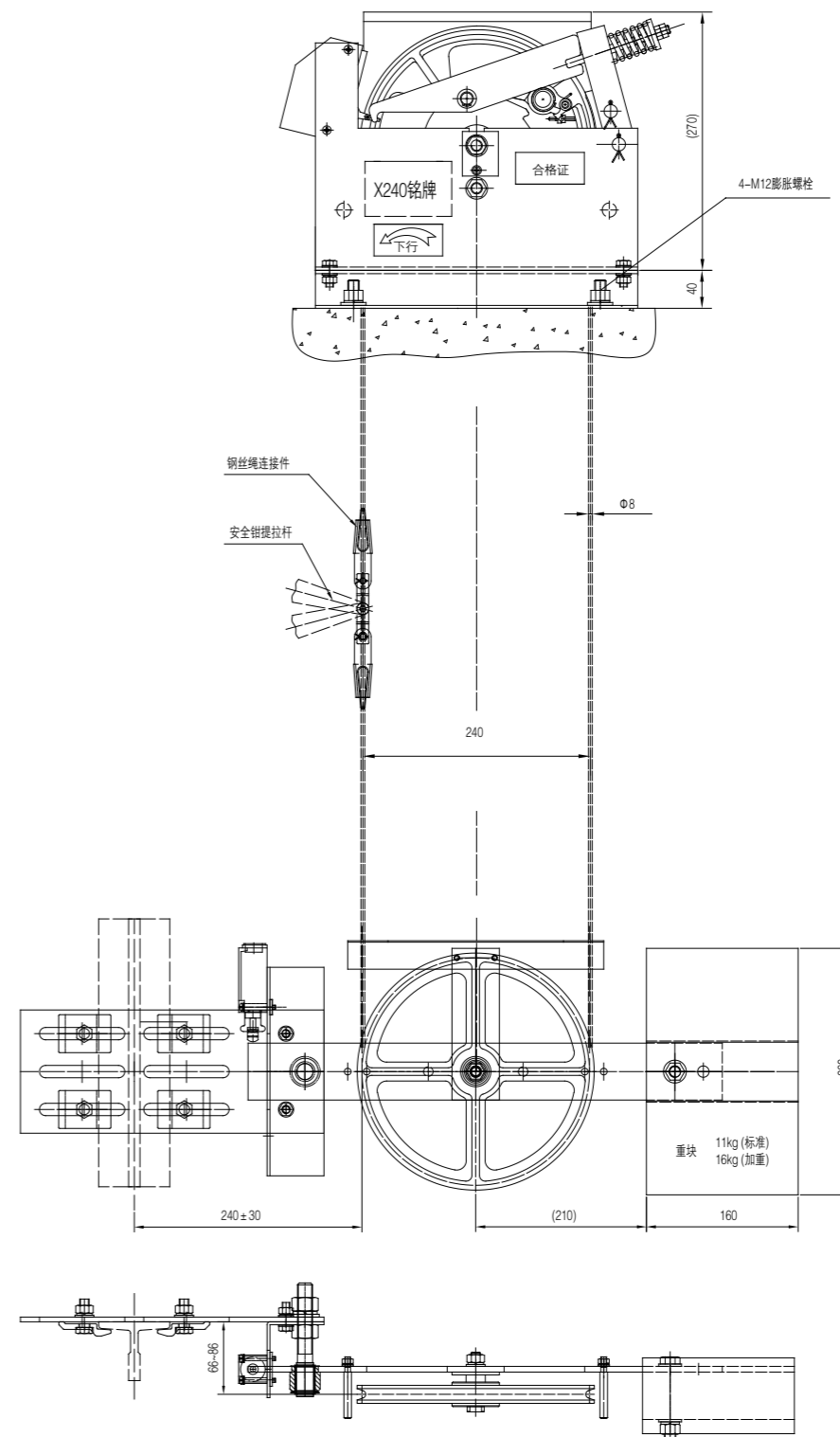


限速器附件 / Governor Attachment:

序号 / No.	图号 / Figure	名称 / Name	规格 / Specs	单位 / Unit	数量 / Qty	图示 / Diagrammatic Presentation	备注 / Note
1	XS240.20	钢丝绳连接件		套	1		组件
2		压道板组件		套	2		组件
3		钢丝绳夹头	Φ8	套	6		组件
4	GB/T5783	六角螺栓组	M8	套	4		机架座与机架连接用 (平机架座时取消)
5		膨胀螺栓	M12X100	件	4		组件

限速器系统安装示意图

Governor System Installation Diagram



中分门系列
2 CO Door System

旁开双折门系列
2 SO Door System

中分双折门系列
4 CO Door System

别墅梯门系列
Home Lift Door System

中分高速梯门系列
2 CO High-speed Door System

三折门系列
3-Lifts Door System

旁开单折门系列
SO Door System

门楣 / 门套 / 地坎系列
Door Panel / Door L jamb / Sill

配件系列
Accessories

安全部件系列
Safety Device

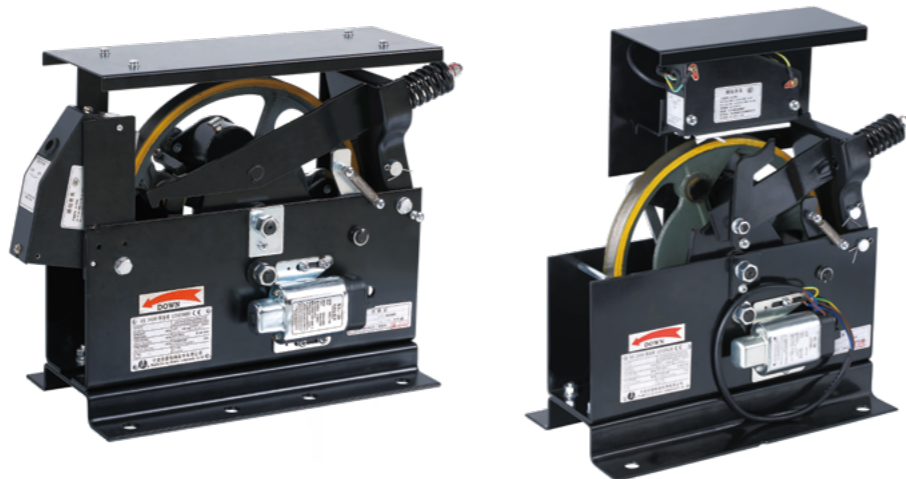
安全部件系列

XS240W 单向无机房限速器

One-Way Machine Roomless Governor

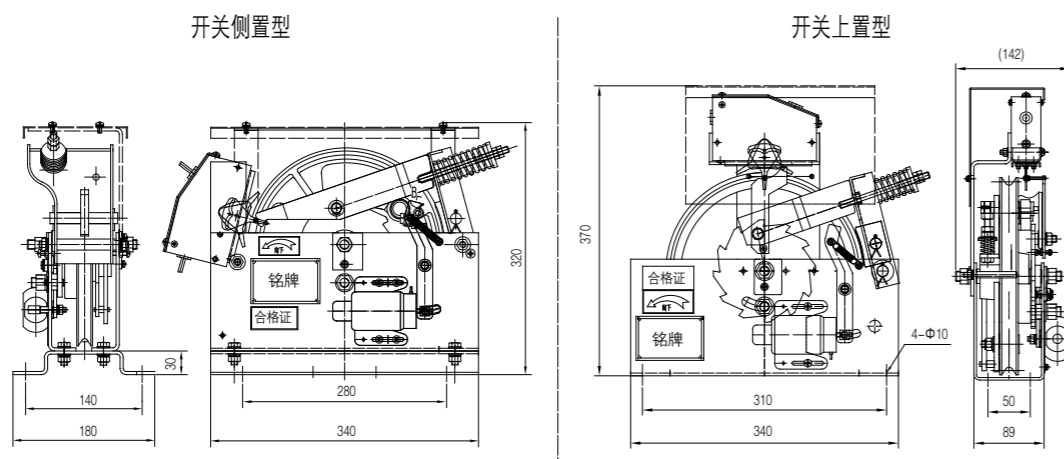
技术参数 / Technical Specifications

- 额定速度: $V = 0.25 \sim 2.5 \text{ m/s}$
- 钢丝绳直径: $\Phi 8 \text{ mm}$
- 绳轮节圆直径: $\Phi 240 \text{ mm}$
- 涨紧力: $500 \sim 1600 \text{ N}$
- Rated Speed: $V = 0.25 \sim 2.5 \text{ m/s}$
- Rope Dia: $\Phi 8 \text{ mm}$
- Sheave Diameter: $\Phi 240 \text{ mm}$
- Rope Tension Force: $500 \sim 1600 \text{ N}$



产品说明 / Description:

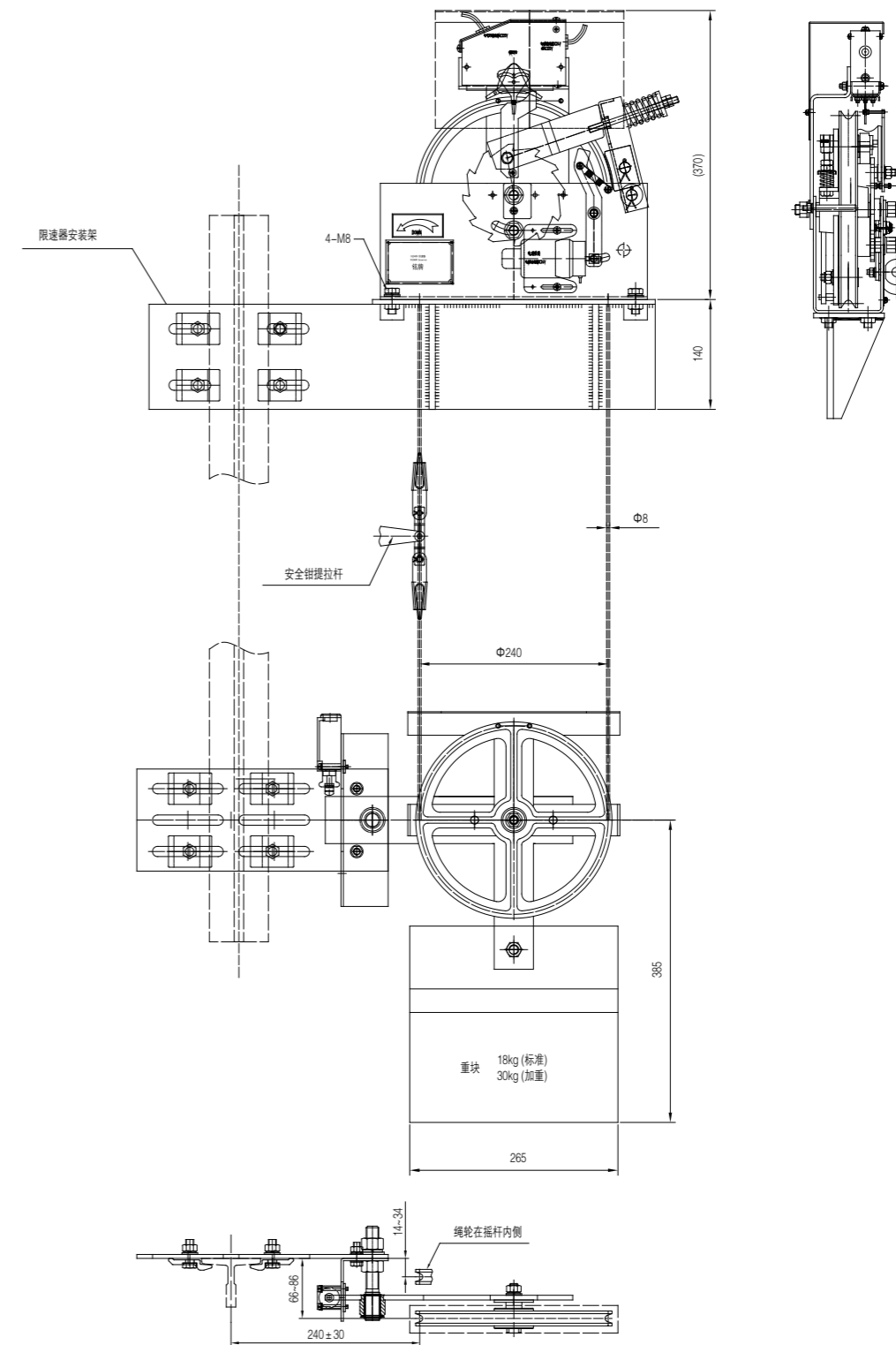
- 此限速器适用于配置无齿曳引机;
- 此限速器适配于 ZJ240、ZJ240A、ZJ240B 或 ZJ260 涨紧装置;
- This governor is matching for gearless traction machine;
- The governor is matching to ZJ240、ZJ240A、ZJ240B or ZJ260 tensioning device;



限速器附件 / Governor Attachment:

序号 / No.	图号 / Figure	名称 / Name	规格 / Specs	单位 / Unit	数量 / Qty	图示 / Diagrammatic Presentation	备注 / Note
1	XS240.20	钢丝绳连接件		套	1		组件
2		压道板组件		套	2		组件
3		钢丝绳夹头	$\Phi 8$	套	6		组件

限速器系统安装示意图 Governor System Installation Diagram



中分门系列
2 CO Door System

旁开双折门系列
2 SO Door System

中分双折门系列
4 CO Door System

别墅梯门系列
Home Lift Door System

中分高速梯门系列
2 CO High-speed Door System

三折门系列
3-Lifts Door System

旁开单折门系列
SO Door System

门楣 / 门套 / 地坎系列
Door Panel / Door L jamb / S/L

配件系列
Accessories

安全部件系列
Safety Device

安全部件系列

XS260A 双向限速器

Two-Way Governor

技术参数 / Technical Specifications

型号 / Type: XS260A

- ◎ 额定速度 :V= 0.25~1.75 m/s
- ◎ 钢丝绳直径 :Φ6mm
- ◎ 绳轮节圆直径 :Φ200 mm
- ◎ 涨紧力 :500 ~1000 N

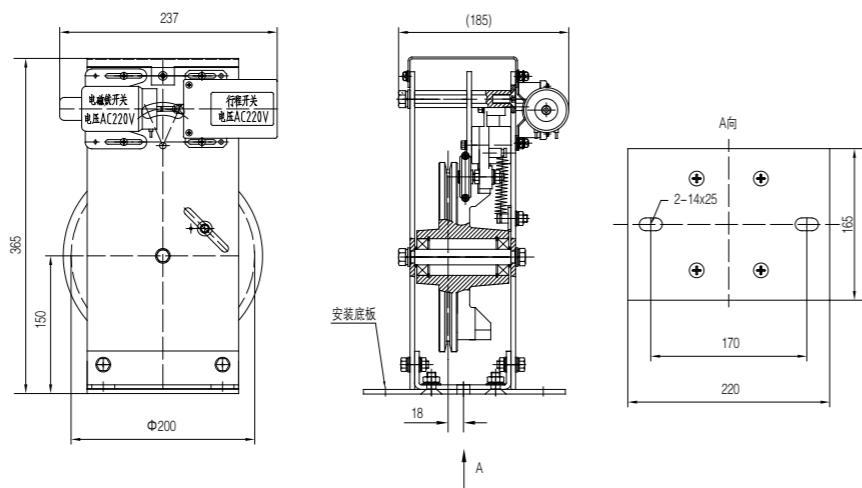
- ◎ Rated Speed:V= 0.25~1.75 m/s
- ◎ Rope Dia: Φ6mm
- ◎ Sheave Diameter: Φ200 mm
- ◎ Rope Tension Force:500~1000 N



产品说明 / Description:

- 1、此限速器适用于配置电磁式夹绳器，能装在电梯机房上或井道内。
- 2、此限速器适配于 ZJ260A 涨紧装置；
- 3、电磁铁开关用于电梯检测时远程控制使限速器发生机械动作；
- 4、电气开关连接安全回路，动作后可以远程控制复位。

- 1.This governor is adapted to electromagnetic rope gripper and can be installed in machine room or hoistway
- 2.The governor is matching to ZJ260A tensioning device;
- 3.Solenoid switch is used to issue starting command to governor by remote control during lift inspection
- 4.Electrical switch connected with safety circuit , can reset the governor by remote control after action

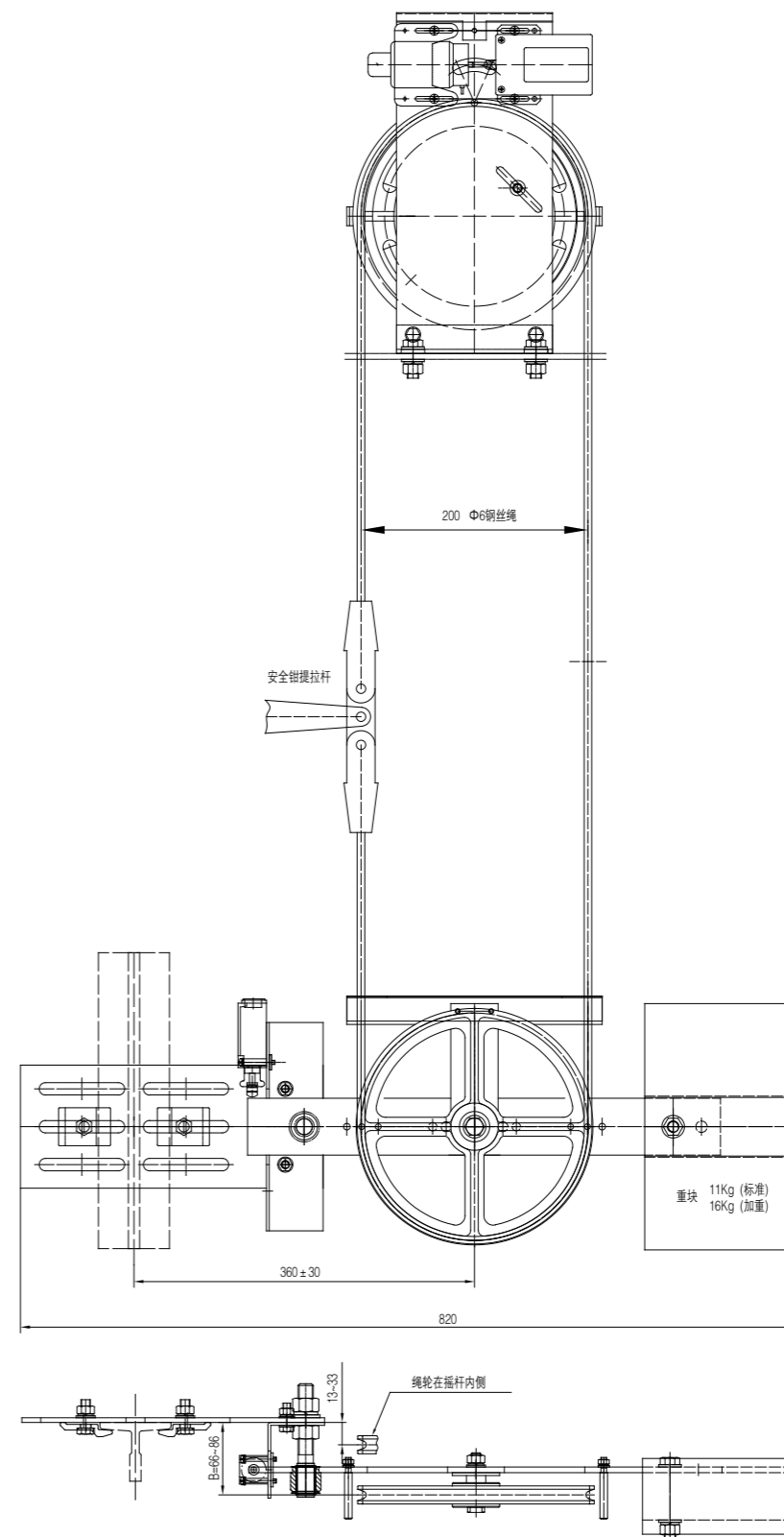


限速器附件 / Governor Attachment:

序号 / No.	图号 / Figure	名称 / Name	规格 / Specs	单位 / Unit	数量 / Qty	图示 / Diagrammatic Presentation	备注 / Note
1	XS240.20	钢丝绳连接件		套	1		组件
2		压道板组件		套	2		组件
3		钢丝绳夹头	Φ8	套	6		组件
4		膨胀螺栓	M12X100	件	2		组件

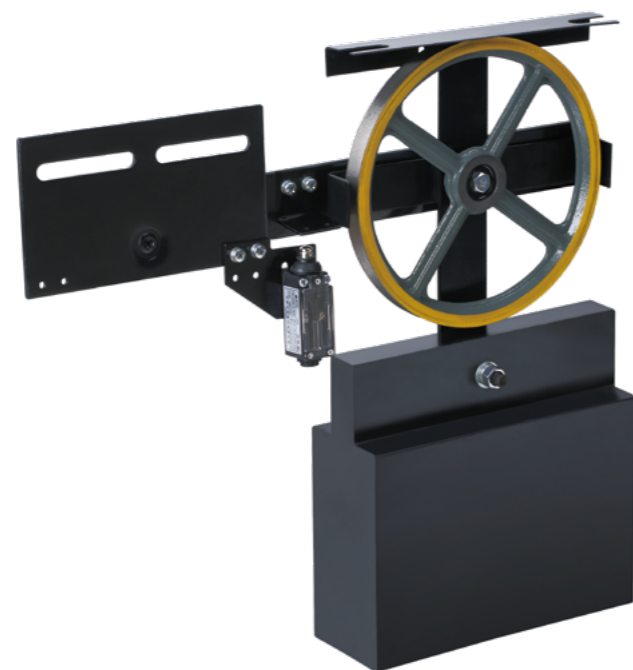
限速器系统安装示意图

Governor System Installation Diagram



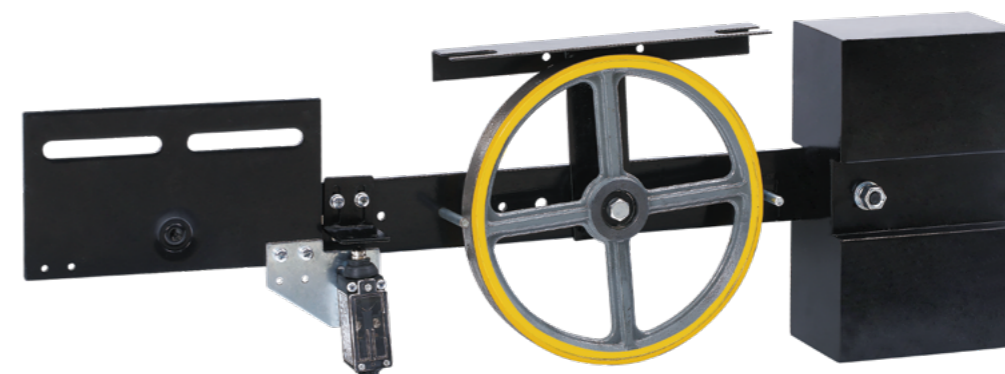
安全部件系列

ZJ240 涨紧装置
Tensioning Device



安全部件系列

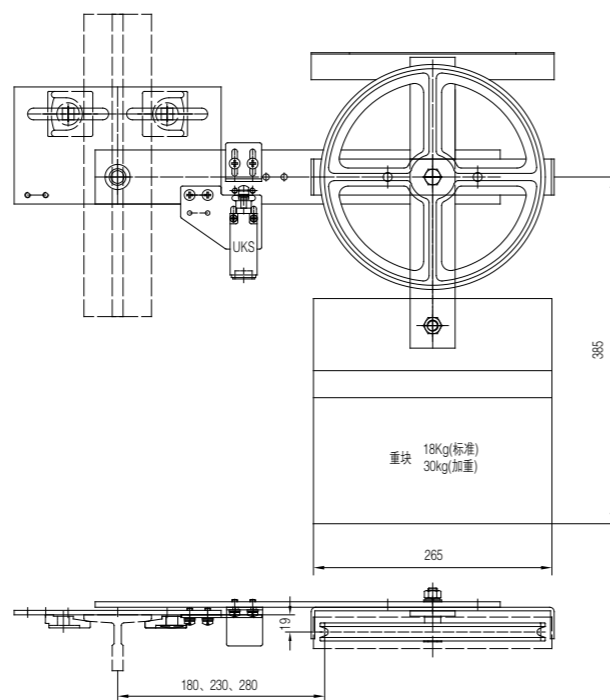
ZJ240A 涨紧装置
Tensioning Device



产品说明 / Description:

- 1、重块 18Kg 适宜用于电梯提升高度 $\leq 60m$
- 2、重块为 30Kg 适宜用于电梯提升高度 $> 60m$
- 3、本涨紧装置为重块直置式

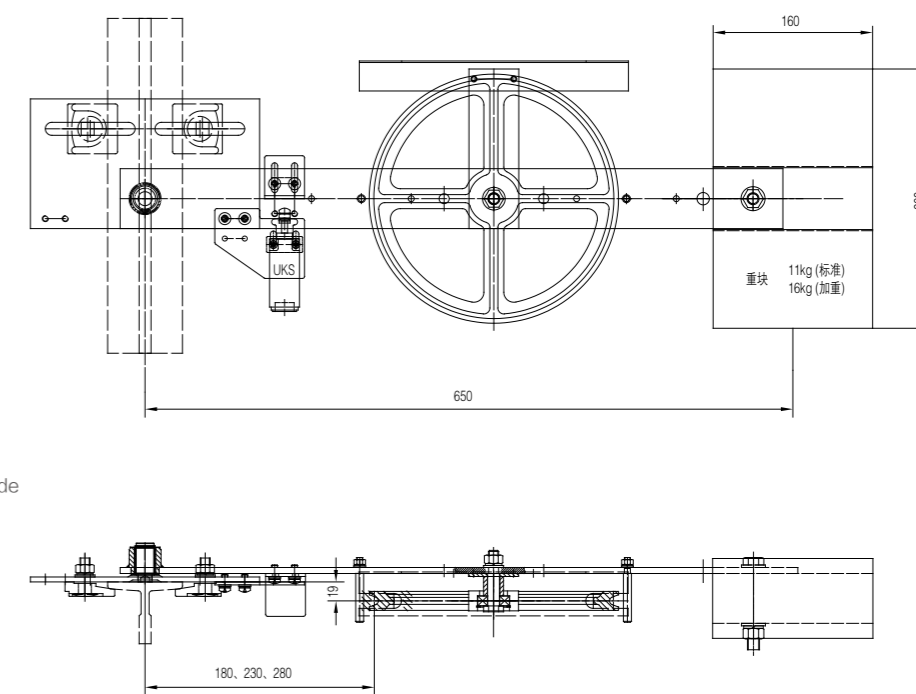
1. A weight 18 Kg Suitable for lifting height of lift $\leq 60m$
2. A weight 30 Kg Suitable for lifting height of lift $> 60m$
3. The tensioning device with weight under



产品说明 / Description:

- 1、重块 11Kg 适宜用于电梯提升高度 $\leq 60m$
- 2、重块为 16Kg 适宜用于电梯提升高度 $> 60m$
- 3、本涨紧装置为重块侧置式

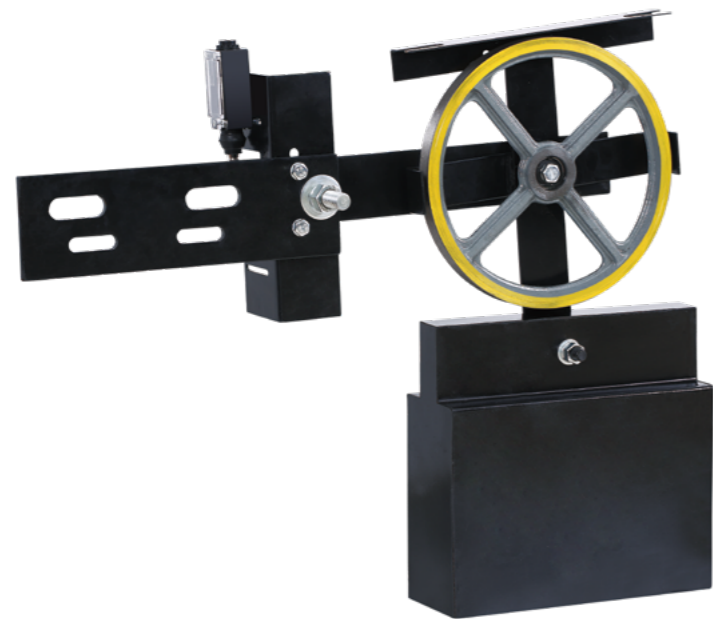
1. A weight 11 Kg Suitable for lifting height of lift $\leq 60m$
2. A weight 16 Kg Suitable for lifting height of lift $> 60m$
3. The tensioning device with the weight on side



安全部件系列

ZJ240B 涨紧装置

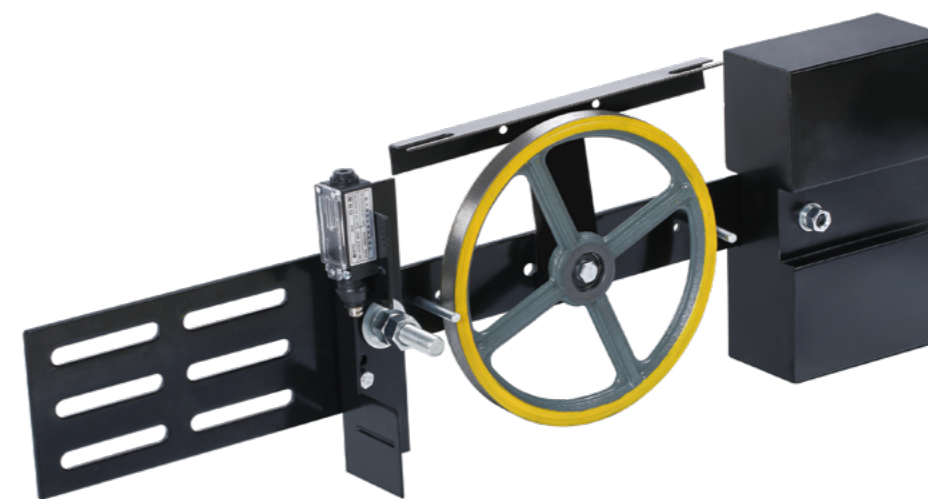
Tensioning Device



安全部件系列

ZJ260A(Φ200) 涨紧装置

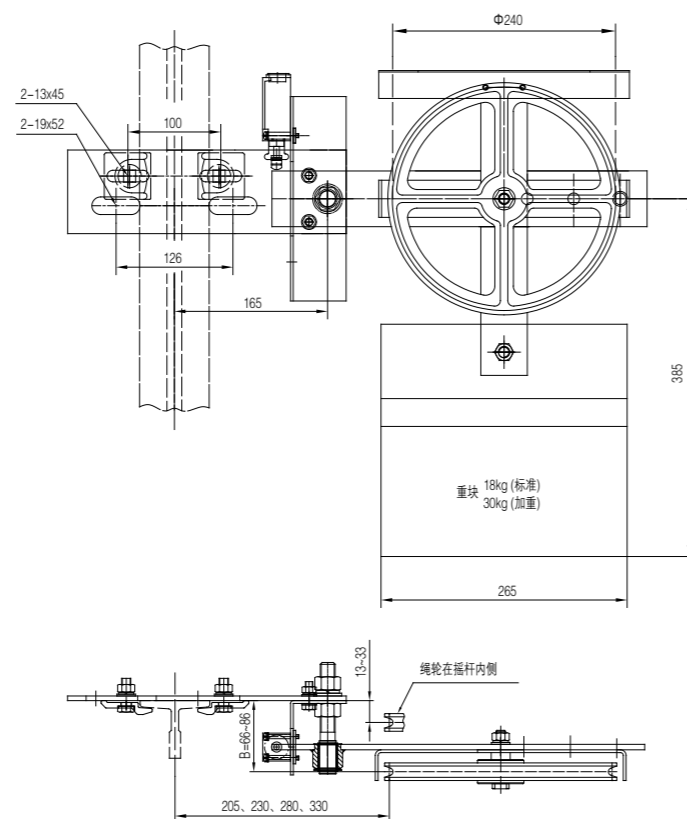
Tensioning Device



产品说明 / Description:

- 1、重块 18Kg 适宜用于电梯提升高度 ≤ 60m
- 2、重块为 30Kg 适宜用于电梯提升高度 > 60m
- 3、本涨紧装置为重块直置式和 B 尺寸可调式

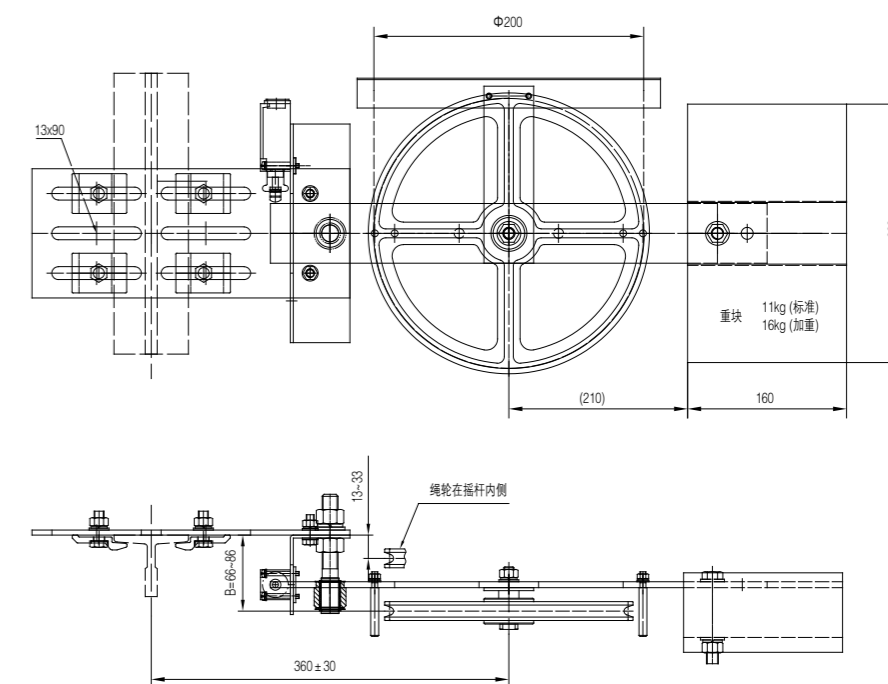
1. A weight 18Kg Suitable for lifting height of lift ≤ 60m
2. A weight 30Kg Suitable for lifting height of lift > 60m
3. The tensioning device with weight under and "B" size is adjustable



产品说明 / Description:

- 1、重块 11Kg 适宜用于电梯提升高度 ≤ 60m
- 2、重块为 16Kg 适宜用于电梯提升高度 > 60m
- 3、本涨紧装置为重块侧置式和 B 尺寸可调式

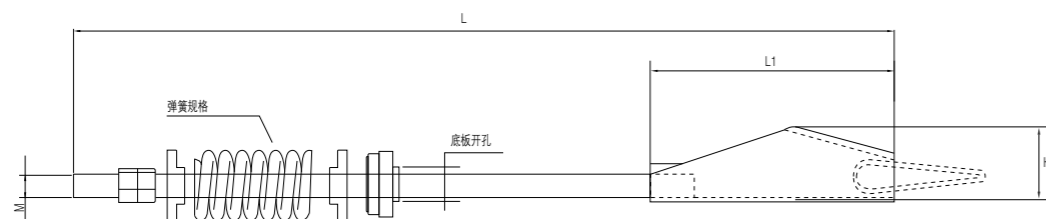
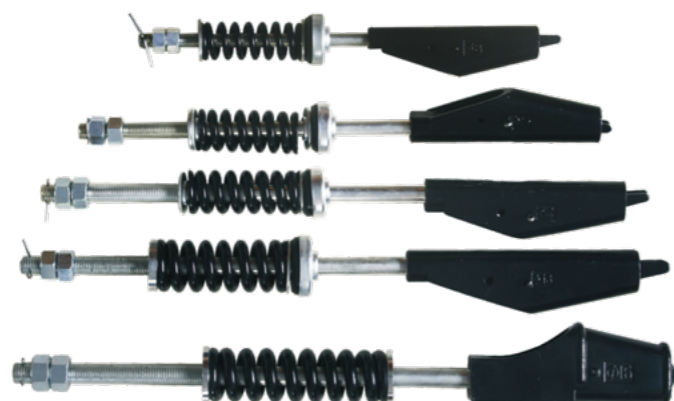
1. A weight 11Kg Suitable for lifting height of lift ≤ 60m
2. A weight 16Kg Suitable for lifting height of lift > 60m
3. This tensioning device with the weight on side and B size is adjustable



安全部件系列

弹簧楔块式绳头组合

Spring Rope Fastening



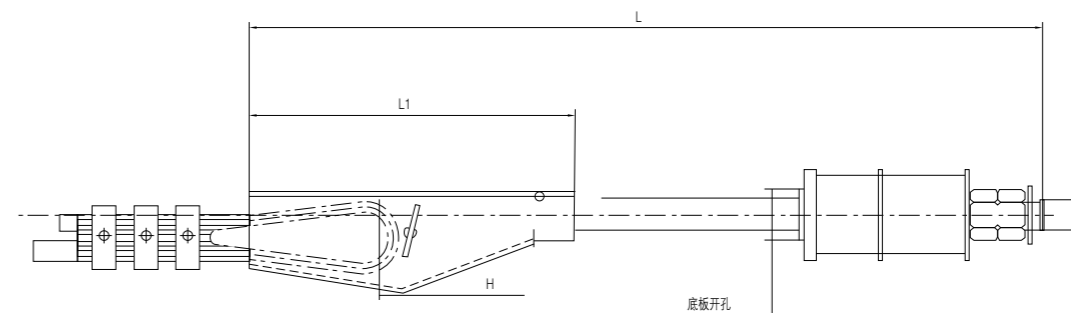
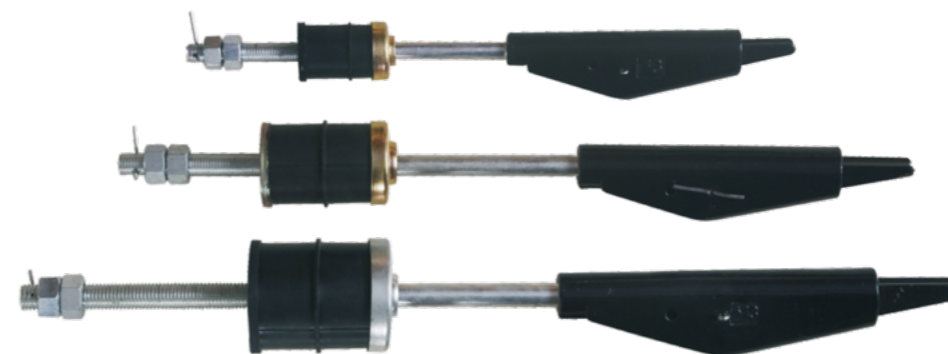
Φ8-Φ16 压簧楔块式绳头组合参数

型号 Model number	适用钢丝绳规格 Specification of wire rope (mm)	总长 Total length	螺杆直径 Screw diameter	安装孔直径 Mounting hole diameter	锥套长 L1*宽*高 H Taper sleeve (Lxwxh)	弹簧钢丝直径*外径*长度*总圈数 Steel wire diameter of spring*external diameter*length*total number of cycles
QSD8W	Φ8	375	M14	26	160*48*20	6*35*95*8.5
QSD10W	Φ10	490	M16	26	178*54*28	8*40*95*8.5
QSD11W	Φ11	490	M16	26	178*54*28	9*42*105*8.5
QSD12W	Φ12	550	M18	30	188*57*32	10*50*120*8.5
QSD13W	Φ13	580	M20	30	220*62*32	10*50*120*8.5
QSD16W	Φ16	615	M20	22	185*71*38	12*52*172*10

安全部件系列

橡胶楔块式绳头组合

Rubber Rope Fastening



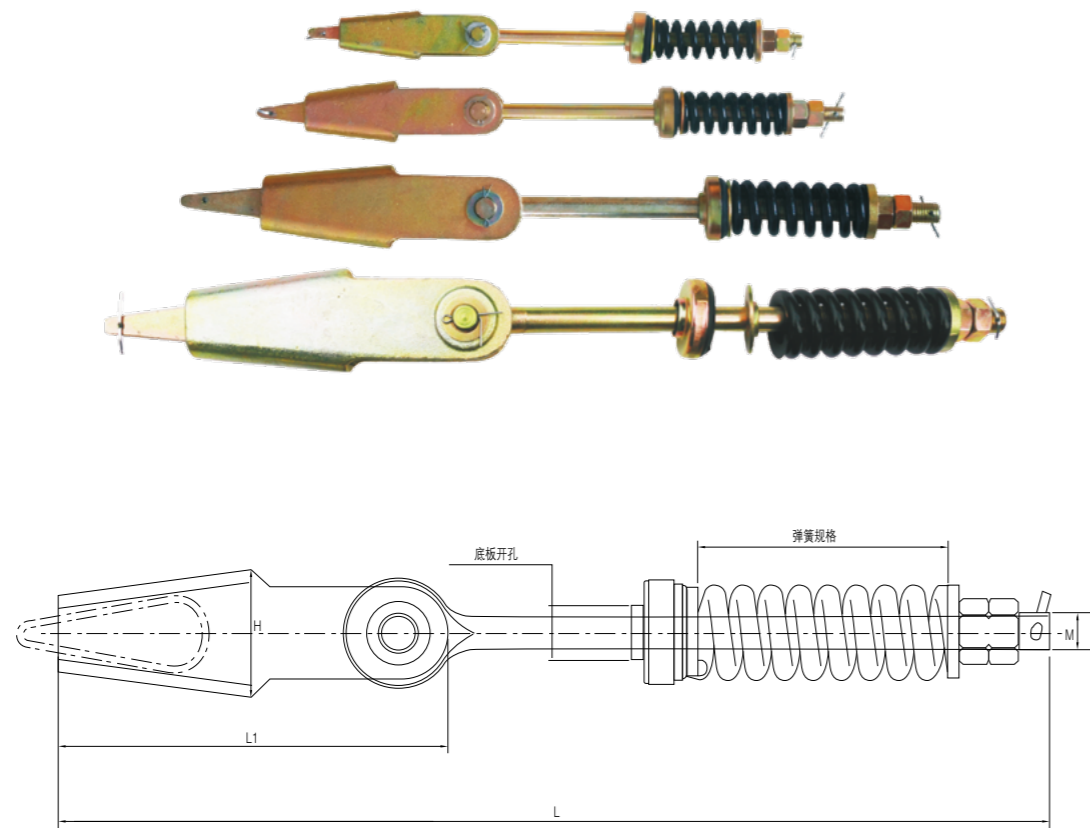
Φ8-Φ13 橡胶楔块式绳头组合参数

型号 Model number	适用钢丝绳规格 Specification of wire rope (mm)	全长 L (mm) Length	锥套长 B (mm) Length of taper bushes	锥套宽 C (mm) Width of taper bushes	安装孔 D (mm) Installation	螺母 M (mm) Screw nut
QSD8X	Φ8	375	160	48	Φ22	M14
QSD10X	Φ10	490	180	55	Φ30	M16
QSD13X	Φ13	580	218	62	Φ40	M20

安全部件系列

活动楔块式绳头组合

Flexible Rope Fastening



HD 系列绳头组合参数表

型号 Model number	适用钢丝绳规格 Specification of wire rope (mm)	总长 Total length	螺杆直径 Screw diameter	安装孔直径 Mounting hole diameter	锥套长 L1* 宽 * 高 H Taper sleeve (lxwxh)	弹簧钢丝直径 * 外径 * 长度 * 总圈数 Steel wire diameter of spring * external diameter * length * total number of cycles
HD8W	Φ8	435	M14	26	148*45*23	6*35*95*8.5
HD10W	Φ10	510	M16	26	185*58*28	8*40*95*8.5
HD13W	Φ13	595	M20	30	230*73*38	10*50*120*8.5
HD16W	Φ16	625	M20	30	260*84*40	13*55*160*9

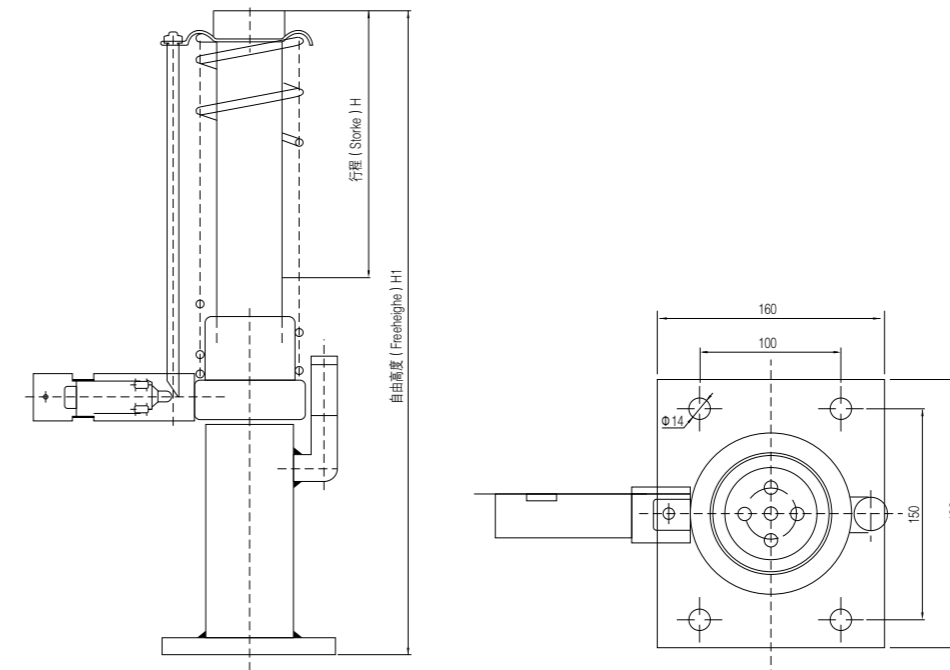
安全部件系列

液压缓冲器 YHC 系列

Buffer YHC Series

技术先进，结构简单，缓冲制停曲线平稳连贯，性能稳定可靠。
重载平均减速 0.6g，轻载平均减速度 0.3g。缓冲器柱塞表面镀铬处理，
从而增加缓冲器的防锈效果，可保证 48 小时盐雾试验不锈蚀。

Advanced technology, simple structure. The buffering curve is steady and continuous, average negative acceleration under heavy load: 0.6g and under light load 0.3g. To protect the buffer from rusting, the piston is chrome-plated, which can withstand the salt spray test for 48 hours.



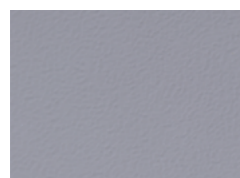
YHC 系列液压缓冲器

型号 Model number	最大承载 (P+Q)Kg	最小承载 (P+Q)Kg	最大冲击速度 (m/s)	柱塞行程 mm	自由状态总高 mm	油型号	油体积 L	额定速度 (V1) m/s
YHC80	3000	700	1.15	80	315	L-HL-32	0.35	1.00
YHC175	3000	700	2.01	206	612	L-HL-32	1.50	1.75

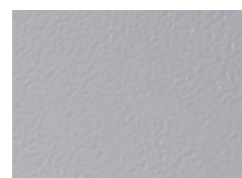


门板喷塑标准色卡

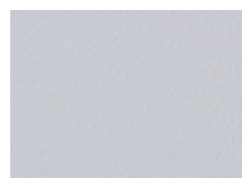
Painted Door Panel Standard Color



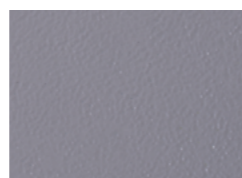
颜色：灰皱
色号：RAL-7004



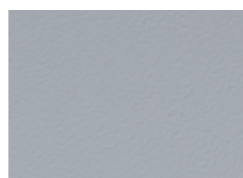
颜色：灰皱
色号：RAL-7038



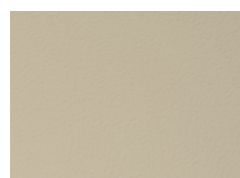
颜色：浅灰皱
色号：RAL-7035



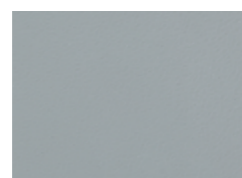
颜色：灰皱
色号：RAL-7036



颜色：飞机灰
色号：G-10



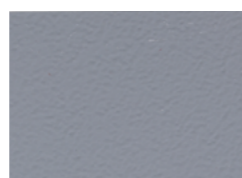
颜色：米黄皱
色号：5621



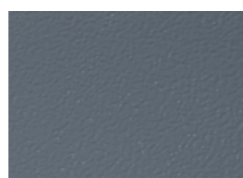
颜色：灰皱
色号：YS-05



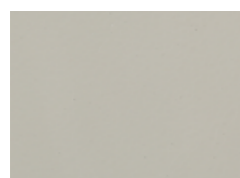
颜色：蓝灰皱
色号：5622



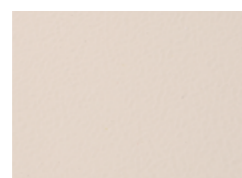
颜色：灰皱
色号：RAL-7042



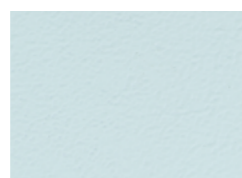
颜色：天童灰
色号：5608



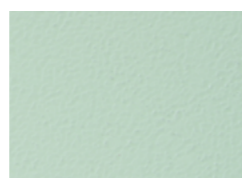
颜色：骨色桔纹
色号：HD-03



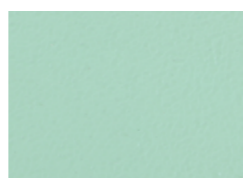
颜色：米黄皱
色号：1015



颜色：蛋青色
色号：B-07



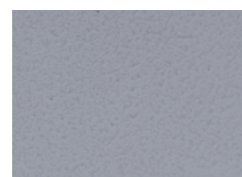
颜色：浅绿皱
色号：RAL-6019



颜色：苹果绿
色号：G-01



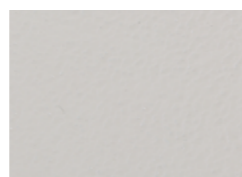
颜色：浅绿皱
色号：RAL-6027



颜色：闪银皱
色号：9006



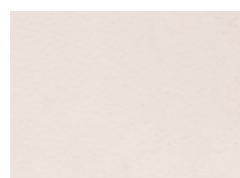
颜色：蓝皱
色号：RAL-5015



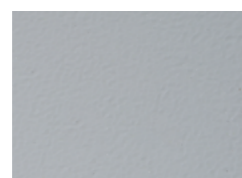
颜色：灰皱
色号：7032



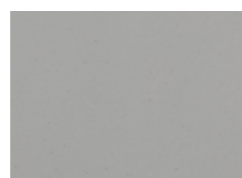
颜色：黑皱
色号：5003



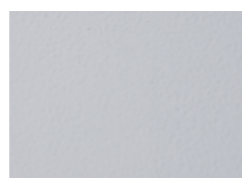
颜色：米黄皱
色号：9001



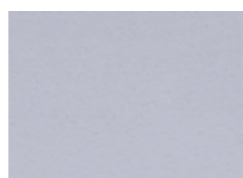
颜色：灰皱
色号：5611



颜色：灰皱
色号：5616



颜色：羊毛白
色号：5620



颜色：电子灰
色号：5619



颜色：白皱
色号：RAL-9003



颜色：浅灰皱
色号：RAL-9002