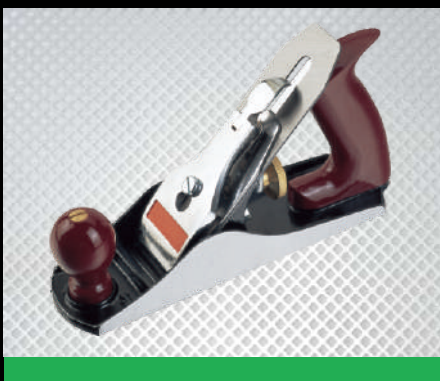


PROTIAN[®]
Suplus[®]

2021



**NINGBO TIANGONG
GREAT STAR TOOLS CO.,LTD.
宁波天工巨星工具有限公司**

**PROTIAN (N.B.) TOOLS CO.,LTD.
宁波天工凌屹工具有限公司**

Since 1971



Brief Introduction

Our company was founded in 1971. From over 50 years in business, we have acquired extensive expertise in producing quality tools and giving superior service to our customers.

We carefully monitor every step of our production chain, from the design process through to machining of products, packaging and quality assurance.

Main Product:

Punches & Chisels, Drill Bits, Wood Chisel, Wood Plane, File & Rasp. Tap & Die Set, Plastic Packaging and PTA.

Manufacture basis & work shop:

PROTIAN has two manufacturing plants and 10 workshops, with total ground area of 45,000 m².

Staff:

PROTIAN has more than 400 workers

R&D:

PROTIAN continues to invest and develop R&D every year.
So far, we have received more than 80 patents.

PROTIAN welcomes old friends and new customers to create win-win situation in business.

INDEX

WOOD CHISELS



002-017

PUNCHES & CHISELS



018-033

DRILLS & DRILL SET



034-081

POWER BITS



082-085

NEEDLE FILE & RIFFLER



086-091

STEEL FILE & RASP



092-106

TAP, DIE & ACCESSORIES



107-109

PLANE & CLAMP



110-113

WOOD CHISEL BLADE

- Manufactured from high carbon steel, chrome vanadium steel, special high grade tool steel, hardened, tempered and finely ground;
- BS, DIN, ISO standards are available;
- Electronic marking, screen printing, laser marking are available.

BLADE "A" made of High Carbon steel

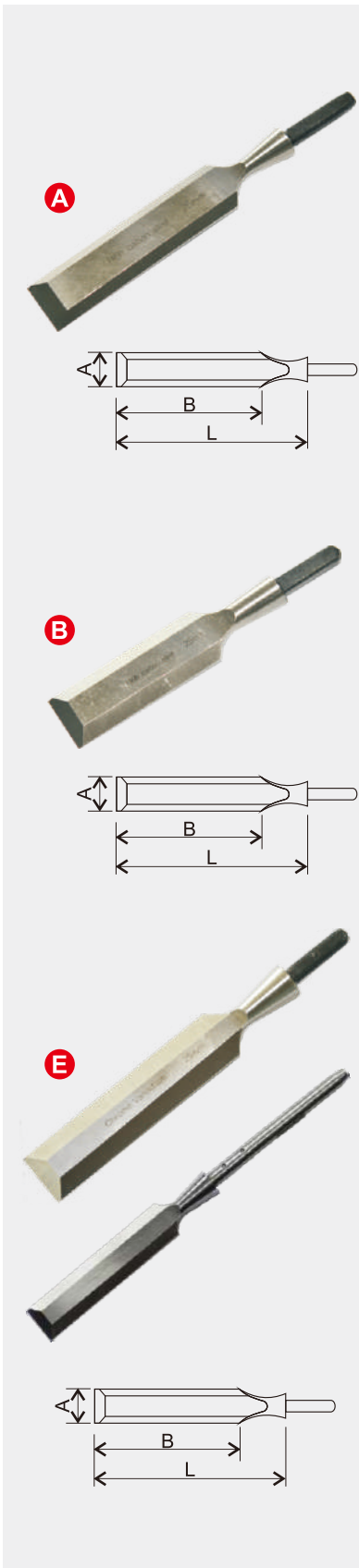
Item NO.	mm	A inch	B(mm)	L(mm)
BDA01006	6	1/4	100	130
BDA01010	10	3/8	100	130
BDA01012	12		100	130
BDA01013	13	1/2	100	130
BDA01016	16	5/8	100	130
BDA01019	19	3/4	100	135
BDA01020	20		100	135
BDA01022	22	7/8	100	135
BDA01025	25	1	100	135
BDA01032	32	1-1/4	97	135
BDA01035	35	1-3/8	97	135
BDA01038	38	1-1/2	97	135
BDA01051	51	2	94	135

BLADE "B" made of High Carbon steel

Item NO.	A(inch)	B(mm)	L(mm)
BDB01006	1/4	75	108
BDB01010	3/8	75	108
BDB01013	1/2	75	108
BDB01016	5/8	72	108
BDB01019	3/4	72	108
BDB01025	1	70	108
BDB01032	1-1/4	70	108
BDB01038	1-1/2	70	108
BDB01051	2	77	128

BLADE "E" made of CR-V steel

Item NO.	mm	A inch	B(mm)	L(mm)
BDE02006	6	1/4	108	144
BDE02008	8		108	144
BDE02010	10	3/8	108	144
BDE02012	12		108	144
BDE02013	13	1/2	108	144
BDE02014	14		107	144
BDE02015	15		107	144
BDE02016	16	5/8	107	144
BDE02018	18		105	144
BDE02019	19	3/4	105	144
BDE02020	20		105	144
BDE02022	22	7/8	105	144
BDE02024	24		105	144
BDE02025	25	1	105	144
BDE02026	26		105	144
BDE02028	28	1-1/8	103	144
BDE02030	30		103	144
BDE02032	32	1-1/4	103	144
BDE02035	35	1-3/8	102	144
BDE02038	38	1-1/2	102	144

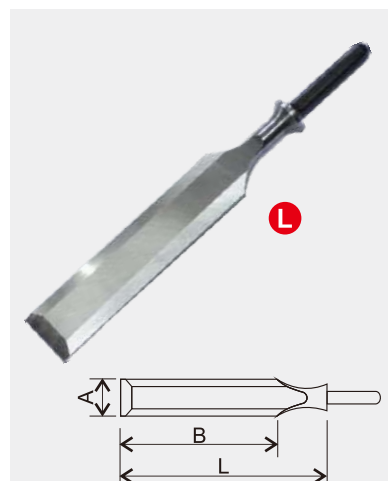


DIN Standard WOOD CHISEL BLADE

- Manufactured from special high grade tool steel, hardened, tempered and finely ground;
- DIN standards are available;
- Electronic marking, screen printing, laser marking are available.

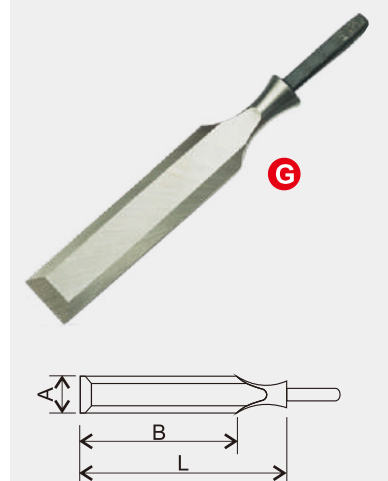
BLADE "L" DIN5139 made of CR-V steel

Item NO.	A(mm)	B(mm)	L(mm)
BDL03006	6	112	130
BDL03010	10	100	130
BDL03012	12	112	132
BDL03016	16	102	136
BDL03018	18	106	140
BDL03020	20	106	140
BDL03022	22	108	144
BDL03024	24	106	144
BDL03026	26	106	144



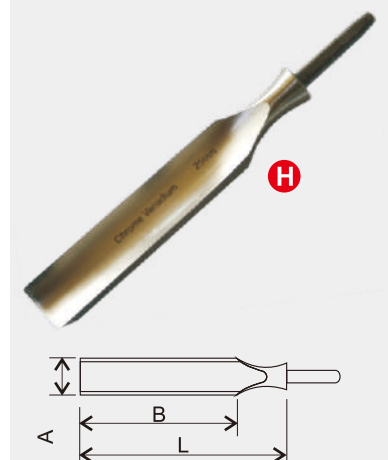
BLADE "G" DIN5139 made of High Grade CR-V

Item NO.	A(mm)	B(mm)	L(mm)
BDG03006	6	96	122
BDG03008	8	96	122
BDG03010	10	98	126
BDG03012	12	98	126
BDG03014	14	97	130
BDG03016	16	97	130
BDG03018	18	98	134
BDG03020	20	98	134
BDG03022	22	100	140
BDG03024	24	100	140
BDG03026	26	100	140
BDG03028	28	102	144
BDG03030	30	102	144
BDG03032	32	106	150
BDG03035	35	106	150
BDG03040	40	111	155



BLADE "H" DIN5142 made of High Grade CR-V

Item NO.	A(mm)	B(mm)	L(mm)
BDH03006	6	90	120
BDH03008	8	92	122
BDH03010	10	93	124
BDH03012	12	95	126
BDH03016	16	98	130
BDH03020	20	100	134
BDH03026	26	105	140



WOOD CHISEL BLADE

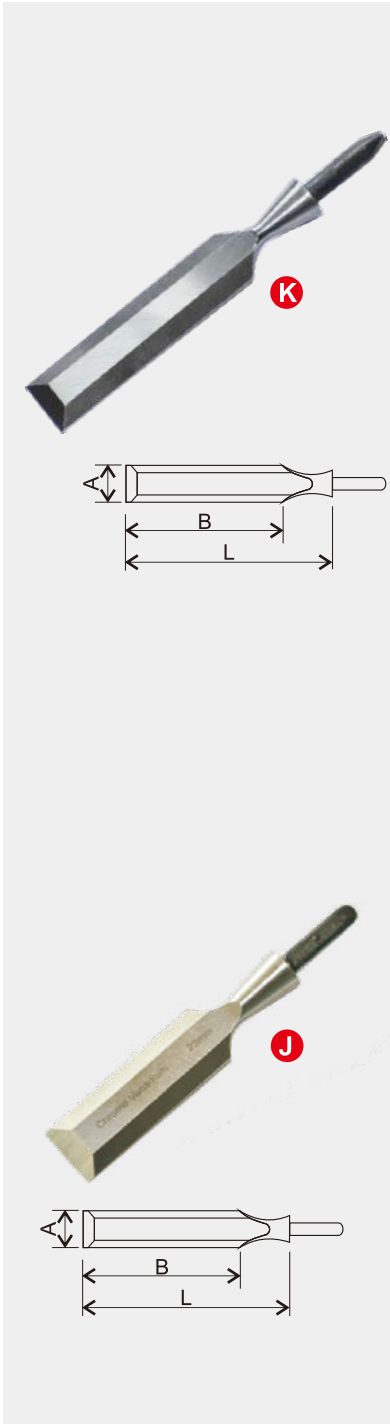
- Manufactured from high carbon steel, chrome vanadium steel, special high grade tool steel, hardened, tempered and finely ground;
- BS, DIN, ISO standards are available;
- Electronic marking, screen printing, laser marking are available.

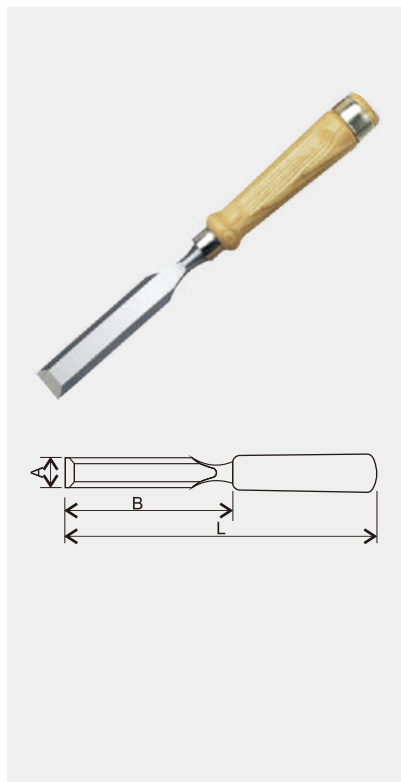
BLADE "K" made of CR-V steel

Item NO.	mm	A inch	B(mm)	L(mm)
BDK02006	6	1/4	85	121
BDK02008	8		85.4	121
BDK02010	10	3/8	85.4	121
BDK02012	12		102.6	143
BDK02013	13	1/2	102.6	143
BDK02014	14		104.2	143
BDK02015	15		104.2	143
BDK02016	16	5/8	103.2	143
BDK02018	18		106	143
BDK02019	19	3/4	106	143
BDK02020	20		105	143
BDK02022	22		104.3	143
BDK02025	25	1	102.6	143
BDK02026	26		102	143
BDK02028	28		117.6	158
BDK02030	30		116.6	158
BDK02032	32	1-1/4	115.8	158
BDK02035	35		126.1	170
BDK02038	38	1-1/2	125	170
BDK02040	40		124.2	170
BDK02050	50	2	120	170

BLADE "J" made of CR-V steel

Item NO.	A(inch)	B(mm)	L(mm)
BDJ02006	1/4	77	112
BDJ02010	3/8	77	112
BDJ02013	1/2	74	112
BDJ02016	5/8	74	112
BDJ02019	3/4	74	112
BDJ02025	1	72	112
BDJ02032	1-1/4	72	112
BDJ02038	1-1/2	72	112





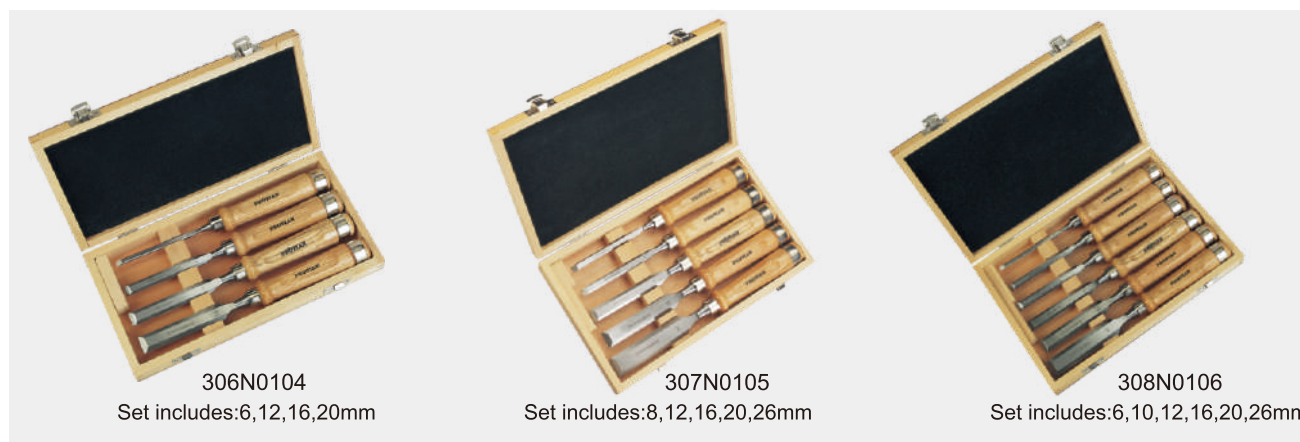
GOC series WOOD CHISEL

- Blade manufactured from high grade CR-V steel hardened, tempered, HRC59-62 and finely ground, accordance with DIN5139 standard. Electronic marking or laser marking;
- Ash tree handle;
- Size range: 6 to 40mm.

Item NO.	A(mm)	B(mm)	L(mm)
GOC03006	6	122	272
GOC03008	8	122	272
GOC03010	10	126	276
GOC03012	12	126	276
GOC03014	14	130	280
GOC03016	16	130	280
GOC03018	18	134	284
GOC03020	20	134	284
GOC03022	22	140	290
GOC03024	24	140	290
GOC03026	26	140	290
GOC03028	28	144	294
GOC03030	30	144	294
GOC03032	32	150	300
GOC03035	35	150	300
GOC03040	40	155	305

WOOD CHISEL SET

- Blade manufactured from high grade CR-V steel, accordance with DIN5139 standard. Electronic marking;
- Ash tree handle;
- Wooden box;



306N0104

Set includes: 6, 12, 16, 20mm

307N0105

Set includes: 8, 12, 16, 20, 26mm

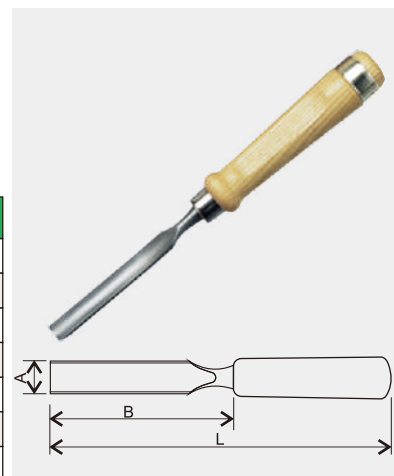
308N0106

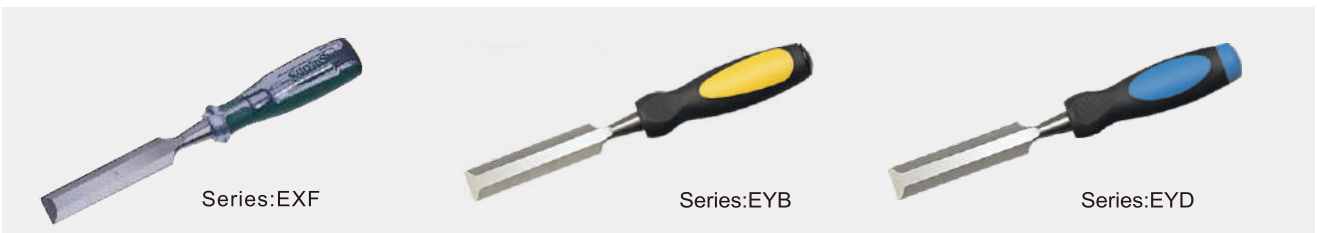
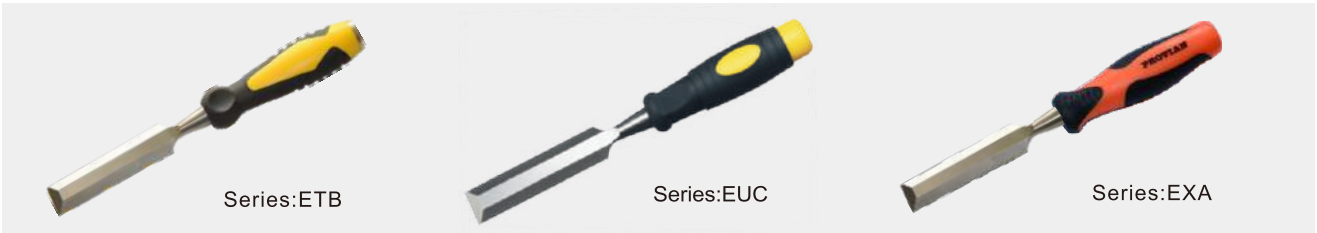
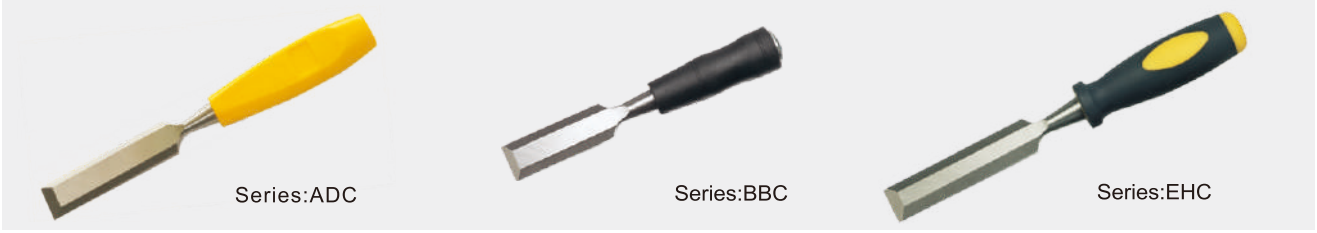
Set includes: 6, 10, 12, 16, 20, 26mm

FIRMER GOUGES MEET DIN5142

- Blade manufactured from high grade CR-V steel hardened, tempered, HRC56-62 and finely ground, accordance with DIN5142 standard. Electronic marking, laser marking;
- Ash tree handle;
- Size range: 6 to 26mm.

Item NO.	A(mm)	B(mm)	L(mm)
HOG03006	6	120	270
HOG03008	8	122	272
HOG03010	10	124	274
HOG03012	12	126	276
HOG03016	16	130	280
HOG03020	20	134	284
HOG03026	26	140	290

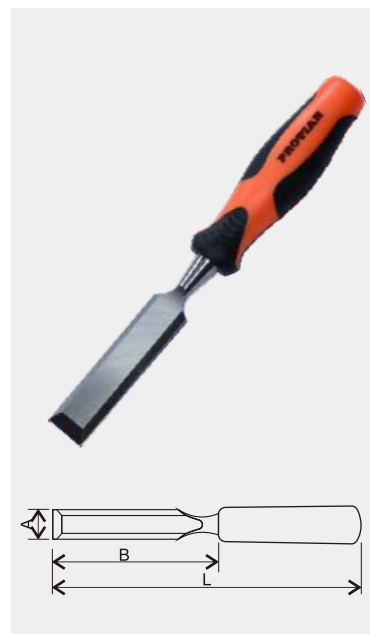




AXA series WOOD CHISEL

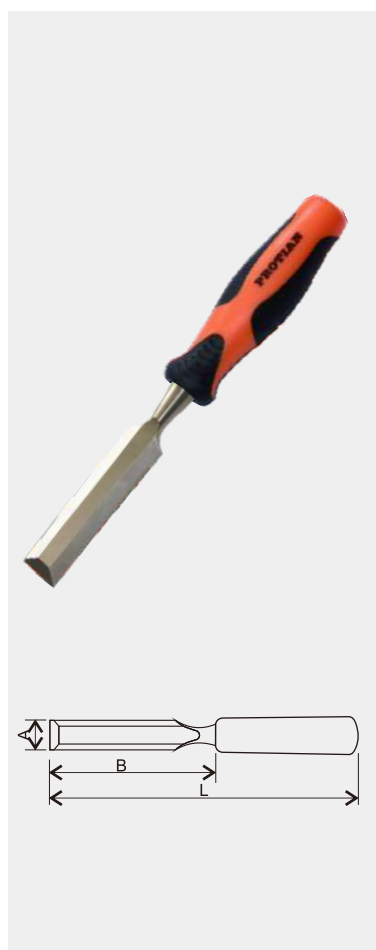
- Blade manufactured from high carbon steel hardened, tempered, HRC55-60 and finely ground. Electronic marking, screen printing or laser marking;
- Patented soft or transparent raised contoured grip handle;
- Size range: 6 to 51mm, 1/4" to 2".

Item NO.	A		B(mm)	L(mm)
	mm	inch		
AXA00006	6	1/4	130	259
AXA00010	10	3/8	130	259
AXA00012	12		130	259
AXA00013	13	1/2	130	259
AXA00016	16	5/8	130	259
AXA00019	19	3/4	135	264
AXA00020	20		135	264
AXA00022	22	7/8	135	264
AXA00025	25	1	135	264
AXA00030	30		135	264
AXA00032	32	1-1/4	135	264
AXA00035	35	1-3/8	135	264
AXA00038	38	1-1/2	135	264
AXA00051	51	2	135	264



EXA series WOOD CHISEL

- Blade manufactured from CR-V steel hardened, tempered, HRC56-62 and finely ground. Electronic marking, screen printing or laser marking;
- Patented soft or transparent raised contoured grip handle;
- Size range: 6 to 51mm, 1/4" to 2".



Item NO.	A		B(mm)	L(mm)
	mm	inch		
EXA00006	6	1/4	144	273
EXA00008	8	5/16	144	273
EXA00010	10	3/8	144	273
EXA00012	12		144	273
EXA00013	13	1/2	144	273
EXA00014	14	9/16	144	273
EXA00015	15		144	273
EXA00016	16	5/8	144	273
EXA00018	18		144	273
EXA00019	19	3/4	144	273
EXA00020	20		144	273
EXA00022	22	7/8	144	273
EXA00024	24		144	273
EXA00025	25	1	144	273
EXA00026	26		144	273
EXA00028	28	1-1/8	144	273
EXA00030	30		144	273
EXA00032	32	1-1/4	144	273
EXA00035	35	1-3/8	144	273
EXA00038	38	1-1/2	144	273
EXA00040	40		144	273
EXA00050	50	2	144	273

EXB series WOOD CHISEL

- Blade manufactured from CR-V steel hardened, tempered, HRC56-62 and finely ground. Electronic marking, screen printing or laser marking;
- Patented soft or transparent raised contoured grip handle with built-in metal striking head;
- Size range: 6 to 50mm, 1/4" to 2".



Item NO.	mm ^A	inch	B(mm)	L(mm)
EXB00006	6	1/4	144	273
EXB00008	8	5/16	144	273
EXB00010	10	3/8	144	273
EXB00012	12		144	273
EXB00013	13	1/2	144	273
EXB00014	14	9/16	144	273
EXB00015	15		144	273
EXB00016	16	5/8	144	273
EXB00018	18		144	273
EXB00019	19	3/4	144	273
EXB00020	20		144	273
EXB00022	22	7/8	144	273
EXB00024	24		144	273
EXB00025	25	1	144	273
EXB00026	26		144	273
EXB00028	28	1-1/8	144	273
EXB00030	30		144	273
EXB00032	32	1-1/4	144	273
EXB00035	35	1-3/8	144	273
EXB00038	38	1-1/2	144	273
EXB00040	40		144	273
EXB00050	50	2	144	273

LXC series WOOD CHISEL (DIN5139)

- Blade manufactured from CR-V steel hardened, tempered, HRC59-62 and finely ground. Electronic marking, screen printing or laser marking;
- Patented soft or transparent raised contoured grip handle with built-in metal striking head;
- Size range: 6 to 26mm.



Item NO.	A(mm)	B(mm)	L(mm)
LXC03106	6	130	259
LXC03110	10	130	259
LXC03112	12	132	261
LXC03116	16	136	265
LXC03118	18	140	269
LXC03120	20	140	269
LXC03122	22	144	273
LXC03124	24	144	273
LXC03126	26	144	273

EXC-EXF series WOOD CHISEL

- Blade manufactured from CR-V steel hardened, tempered, HRC56-62 and finely ground. Electronic marking, screen printing or laser marking;
- Patented soft or transparent raised contoured grip handle with built-in metal striking head;
- Size range: 6 to 50mm, 1/4" to 2".

Item NO.		mm	A	inch	B(mm)	L(mm)	
EXC	EXF					EXC	EXF
EXC00006	EXF00006	6		1/4	144	273	275
EXC00008	EXF00008	8		5/16	144	273	275
EXC00010	EXF00010	10		3/8	144	273	275
EXC00012	EXF00012	12			144	273	275
EXC00013	EXF00013	13		1/2	144	273	275
EXC00014	EXF00014	14		9/16	144	273	275
EXC00015	EXF00015	15			144	273	275
EXC00016	EXF00016	16		5/8	144	273	275
EXC00018	EXF00018	18			144	273	275
EXC00019	EXF00019	19		3/4	144	273	275
EXC00020	EXF00020	20			144	273	275
EXC00022	EXF00022	22		7/8	144	273	275
EXC00024	EXF00024	24			144	273	275
EXC00025	EXF00025	25		1	144	273	275
EXC00026	EXF00026	26			144	273	275
EXC00028	EXF00028	28		1-1/8	144	273	275
EXC00030	EXF00030	30			144	273	275
EXC00032	EXF00032	32		1-1/4	144	273	275
EXC00035	EXF00035	35		1-3/8	144	273	275
EXC00038	EXF00038	38		1-1/2	144	273	275
EXC00040	EXF00040	40			144	273	275
EXC00050	EXF00050	50		2	144	273	275



KYF series WOOD CHISEL with Short Blade

- Blade manufactured from CR-V steel hardened, tempered, HRC56-62 and finely ground. Electronic marking, screen printing or laser marking;
- Patented soft or transparent raised contoured grip handle with built-in metal striking head;
- Size range: 1/2" to 2".

Item NO.	A(inch)	B(mm)	L(mm)
KYF00113	1/2	118	242
KYF00119	3/4	118	242
KYF00125	1	118	242
KYF00132	1-1/4	121	245
KYF00138	1-1/2	121	245
KYF00150	2	121	245





EXCXX006/50 WOOD CHISEL

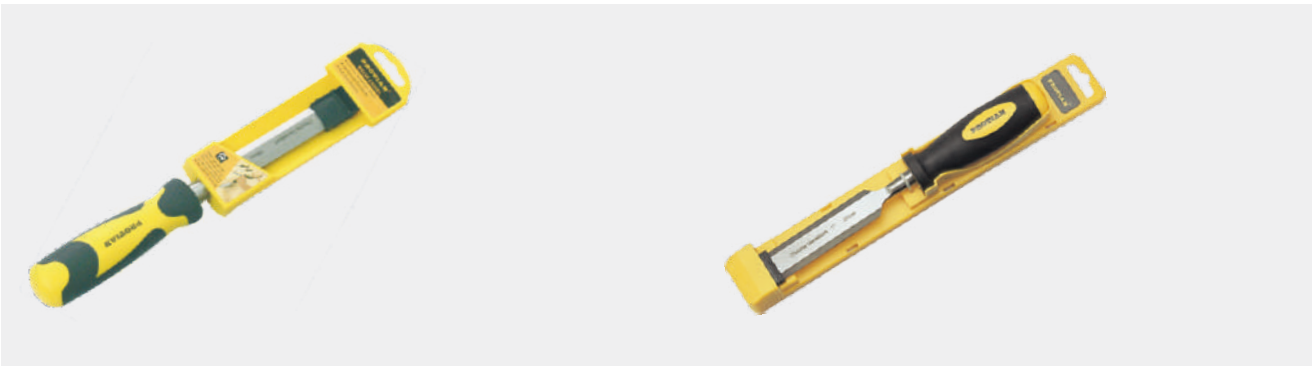
- Blade manufactured from CR-V steel. Electronic marking;
- Soft grip handle with metal striking head;
- Size range: 6 to 50mm or 1/4" to 2";
- Handel patented;
- Plastic rack packing.

EYBX6006/038 WOOD CHISEL

- Blade manufactured from CR-V steel. Electronic marking;
- Soft grip handle with metal striking head;
- Size range: 6 to 38mm or 1/4" to 1-1/2";
- Handel patented;
- Plastic rack packing.

GOCO0006/040 WOOD CHISEL

- Blade manufactured from CR-V steel. Electronic marking;
- Ash tree handle;
- Size range: 6 to 40mm;
- Paper box packing.

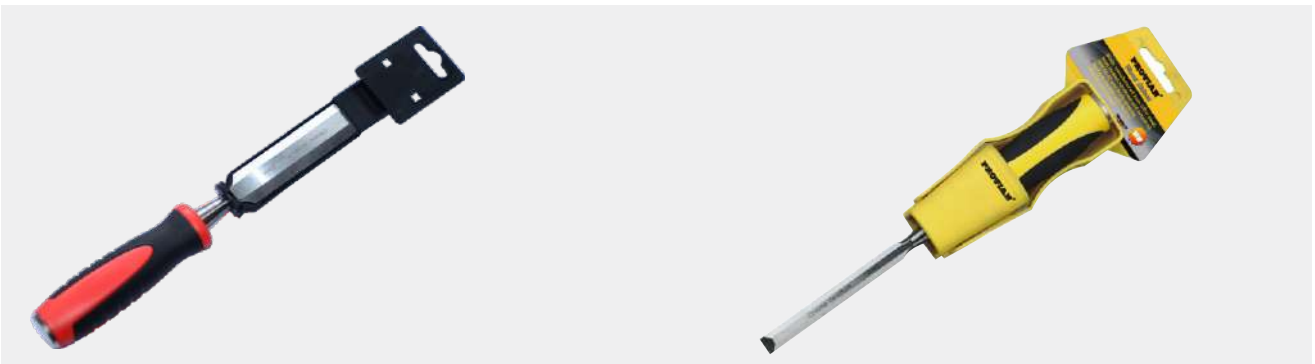


PT667B-X2006/038 WOOD CHISEL

- Blade manufactured from CR-V steel. Electronic marking;
- Patented soft grip handle;
- Plastic rack packing;
- Size range: 6 to 38mm, 1/4" to 1-1/2";

AHCX4006/038 WOOD CHISEL

- Blade manufactured from High Carbon steel. Electronic marking;
- Patented soft grip handle;
- Patented plastic rack packing;
- Size range: 6 to 38mm or 1/4" to 1-1/2".



EFSX7006/038 WOOD CHISEL

- Blade manufactured from CR-V steel. Electronic marking;
- Patented soft grip handle;
- Plastic rack packing;
- Size range: 6 to 38mm, 1/4" to 1-1/2";

PT951-X8006/038 WOOD CHISEL

- Blade manufactured from CR-V steel. Electronic marking;
- Patented soft grip handle;
- Plastic rack packing;
- Size range: 6 to 38mm, 1/4" to 1-1/2";



AHCX5103 3pcs WOOD CHISEL SET

- Blade manufactured from High Carbon steel. Electronic marking;
- Patented soft grip handle;
- Patented plastic rack packing;
- Set includes: 12, 19, 25mm.

BGCX0103 3pcs WOOD CHISEL SET

- Blade manufactured from High Carbon steel. Electronic marking;
- soft grip handle with metal striking head;
- Set includes: 1/2", 3/4", 1";
- Plastic rack packing.

PT667-X0103 3pcs WOOD CHISEL SET

- Blade manufactured from CR-V steel. Electronic marking;
- Soft grip handle with metal striking head;
- Set includes: 12(1/2"), 19(3/4"), 25(1")mm
- Plastic rack packing.

ELPX0204 4pcs WOOD CHISEL SET

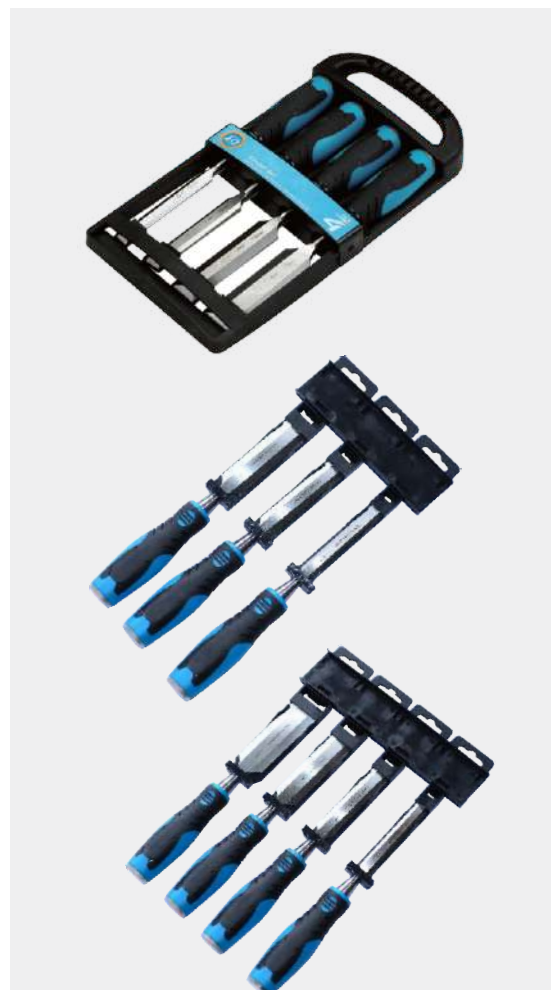
- Blade manufactured from CR-V steel. Electronic marking;
- soft grip handle with metal striking head;
- Set includes: 6(1/4"), 12(1/2"), 19(3/4"), 25(1")mm;
- Plastic rack packing.

ELPX0103 3pcs WOOD CHISEL SET

- Blade manufactured from CR-V steel. Electronic marking;
- soft grip handle with metal striking head;
- Set includes: 12(1/2"), 19(3/4"), 25(1")mm;
- Plastic rack packing.

ELPX0104 4pcs WOOD CHISEL SET

- Blade manufactured from CR-V steel. Electronic marking;
- soft grip handle with metal striking head;
- Set includes: 6(1/4"), 12(1/2"), 19(3/4"), 25(1")mm;
- Plastic rack packing.





EYBF0006/038 WOOD CHISEL

- Blade manufactured from CR-V steel. Electronic marking;
- Soft grip handle with built-in metal striking head;
- Half double blister card packing;
- Size range: 6 to 38mm, 1/4" to 1-1/2";
- Handle patented.



EYBE0006/038 WOOD CHISEL

- Blade manufactured from CR-V steel. Electronic marking;
- Soft grip handle with built-in metal striking head;
- Double blister card packing;
- Size range: 6 to 38mm, 1/4" to 1-1/2";
- Handle patented.



EYBF0103 3pcs WOOD CHISEL SET

- ▶ Set includes: 12, 19, 25mm or 1/2", 3/4", 1";

EYBF0104 4pcs WOOD CHISEL SET

- ▶ Set includes: 6, 12, 19, 25mm or 1/4", 1/2", 3/4", 1";

- Blade manufactured from CR-V steel. Electronic marking;
- Soft grip handle with built-in metal striking head;
- Half double blister card packing;
- Handle patented.



EYBE0103 3pcs WOOD CHISEL SET

- ▶ Set includes: 12, 19, 25mm or 1/2", 3/4", 1";

EYBE0104 4pcs WOOD CHISEL SET

- ▶ Set includes: 6, 12, 19, 25mm or 1/4", 1/2", 3/4", 1";

- Blade manufactured from CR-V steel. Electronic marking;
- Soft grip handle with built-in metal striking head;
- Double blister card packing;
- Handle patented.



EYBH6104 4pcs WOOD CHISEL SET

- ▶ Set includes: 4pc wood chisel: 6, 12, 19, 25mm or 1/4", 1/2", 3/4", 1";
1pc plastic holder with sharpening stone;

EYBH6204 4pcs WOOD CHISEL SET

- ▶ Set includes: 4pc wood chisel: 12, 19, 25, 32mm or 1/2", 3/4", 1", 1-1/4";
1pc plastic holder with sharpening stone;

- Blade manufactured from CR-V steel. Electronic marking;
- Soft grip handle with built-in metal striking head;
- Plastic rack + double blister card packing;
- Handle patented.

EXFQ0103 3pcs WOOD CHISEL SET

- Blade manufactured from CR-V steel. Electronic marking;
- soft grip handle with metal striking head;
- Set includes: 12,19, 25mm or 1/2", 3/4", 1";
- Bag packing.

EXFQ0104 4pcs WOOD CHISEL SET

- Blade manufactured from CR-V steel. Electronic marking;
- soft grip handle with metal striking head;
- Set includes: 6,12,19, 25mm or 1/4", 1/2", 3/4", 1";
- Bag packing.

EXFQ0105 5pcs WOOD CHISEL SET

- Blade manufactured from CR-V steel. Electronic marking;
- soft grip handle with metal striking head;
- Set includes: 6, 10, 12, 19, 25mm or 1/4", 3/8", 1/2", 3/4", 1";
- Bag packing.

EYBQ0107 7pcs WOOD CHISEL & ACCESSORIES SET

- Blade manufactured from CR-V steel. Electronic marking;
- soft grip handle with metal striking head;
- Set includes: 4pc wood chisel;12,19,25,32mm; 1pc honing guide 3-67mm, 2pc carpenters pencils;
- Bag packing.





909P1104-XB 4pcs WOOD CHISEL SET

- Blade manufactured from CR-V steel. Electronic marking;
- Soft grip handle with built-in metal striking head;
- Patented plastic box packing;
- Set includes: 12, 19, 25, 32mm or 1/2", 3/4", 1", 1-1/4";
- Handle patented.



909P1205-XB 5pcs WOOD CHISEL SET

- Blade manufactured from CR-V steel. Electronic marking;
- Soft grip handle with built-in metal striking head;
- Patented plastic box packing;
- Set includes: 3pc wood chisel: 12, 19, 25mm or 1/2", 3/4", 1";
1pc honing guide; 1pc sharpening stone;
- Handle patented.



919P2105-XB 5pcs WOOD CHISEL SET

- Blade manufactured from CR-V steel. Electronic marking;
- Soft grip handle with built-in metal striking head;
- Patented plastic box packing;
- Set includes: 6, 12, 19, 25, 32mm or 1/4", 1/2", 3/4", 1", 1-1/4";
- Handle patented.



919P2206-XB 6pcs WOOD CHISEL SET

- Blade manufactured from CR-V steel. Electronic marking;
- Soft grip handle with built-in metal striking head;
- Patented plastic box packing;
- Set includes: 4pc wood chisel: 12, 19, 25, 32mm or 1/2", 3/4", 1", 1-1/4";
1pc honing guide; 1pc sharpening stone;
- Handle patented.



919P2305-XB 5pcs WOOD CHISEL SET

- Blade manufactured from CR-V steel. Electronic marking;
- Soft grip handle with built-in metal striking head;
- Patented plastic box packing;
- Set includes: 12, 14, 16, 18, 20mm;
- Handle patented.



929P1106-XB 6pcs WOOD CHISEL SET

- Blade manufactured from CR-V steel. Electronic marking;
- Soft grip handle with built-in metal striking head;
- Patented plastic box packing;
- Set includes: 6, 12, 19, 25, 32, 38mm or 1/4", 1/2", 3/4", 1", 1-1/4", 1-1/2";
- Handle patented.



939P1107-XB 7pcs WOOD CHISEL SET

- Blade manufactured from CR-V steel. Electronic marking;
- Soft grip handle with built-in metal striking head;
- Patented plastic box packing;
- Set includes: 5pc wood chisel: 6, 12, 19, 25, 32mm or 1/4", 1/2", 3/4", 1", 1-1/4";
1pc honing guide; 1pc sharpening stone;
- Handle patented.



949P2108-XB 8pcs WOOD CHISEL SET

- Blade manufactured from CR-V steel. Electronic marking;
- Soft grip handle with built-in metal striking head;
- Patented plastic box packing;
- Set includes: 6pc wood chisel: 6, 12, 19, 25, 32, 38mm or 1/4", 1/2", 3/4", 1", 1-1/4", 1-1/2";
1pc honing guide; 1pc sharpening stone;
- Handle patented.



969P2105-O 5pcs WOOD CHISEL SET

- Blade manufactured from CR-V steel. Electronic marking;
- Hornbeam handle;
- Patented plastic box packing;
- Set includes: 3pc wood chisel: 12, 16, 20mm
1pc beechwood mallet; 1pc mini plane;



600P0104 4pcs WOOD CHISEL SET

- Blade manufactured from High Carbon steel. Electronic marking;
- Patented soft grip handle;
- Plastic box packing;
- Set includes: 3pc wood chisel: 12, 19, 25mm or 1/2", 3/4", 1";
1pc sharpening stone. 8"x2"x1"



EXEL0108 8pcs WOOD CHISEL SET

- Blade manufactured from CR-V steel. Electronic marking;
- Impact-resistant PP economic handle;
- Set includes: 6pc wood chisel: 6, 12, 20, 26, 32, 38mm;
1pc honing guide; 1pc sharpening stone;
- Blow case + Sleeve packing;
- Handle patented.



EXAL0108 8pcs WOOD CHISEL SET

- Blade manufactured from CR-V steel. Electronic marking;
- Bi-material soft-grip handles (PP+TPR);
- Set includes: 6pc wood chisel: 6, 12, 20, 26, 32, 38mm;
1pc honing guide; 1pc sharpening stone;
- Blow case + Sleeve packing;
- Handle patented.



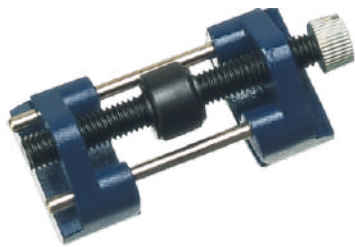
EXBL0108 8pcs WOOD CHISEL SET

- Blade manufactured from CR-V steel. Electronic marking;
- Bi-material soft-grip handles (PP+TPR) with metal cap;
- Set includes: 6pc wood chisel: 6, 12, 20, 26, 32, 38mm;
1pc honing guide; 1pc sharpening stone;
- Blow case + Sleeve packing;
- Handle patented.



EXCL0108 8pcs WOOD CHISEL SET

- Blade manufactured from CR-V steel. Electronic marking;
- Bi-material soft-grip handles (Transparent PVC+TPR) with metal cap;
- Set includes: 6pc wood chisel: 6, 12, 20, 26, 32, 38mm;
1pc honing guide; 1pc sharpening stone;
- Blow case + Sleeve packing;
- Handle patented.



◀ **HGD01367 HONING GUIDE**

- This accurately formed diecast guide will accept bevel edged chisels or plane irons sized 3mm to 67mm, setting them at the correct angle for honing.

ASB00106 6" WALLBOARD SAW ▶

- Design for cutting wallboard. Tapered blade with hardened teeth and soft grip handle.

ASA00106 6" WALLBOARD SAW ▶

- Design for cutting wallboard. Tapered blade with hardened teeth and soft grip handle.



◀ **SPT00106/108 SHARPENING STONE**

- A range of silicon carbide stone with combination fine and medium sharpening surfaces;
- Sizes: 6"x2"x1" , 8"x2"x1".

◀ **SOHE0003 SHARPENING SYSTEM(Stone/Oil & Honing guide)**

- 1pc sharpening stone;
- 1pc bottle of lubricating oil;
- 1pc honing guide;
- Double blister card packing;



SRE00200 200mm ENGINEER SCRIBER



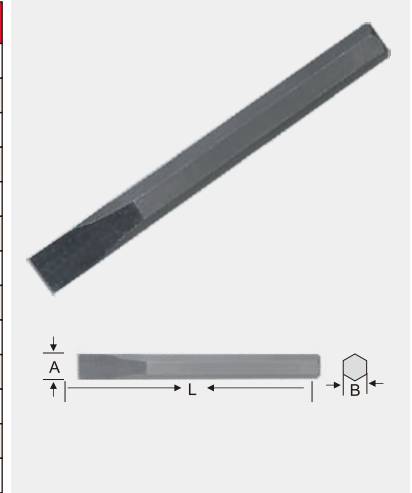
SRB00145 145mm SCRIBER

COLD CHISEL

- For cutting, shaping and removing cold metals softer than the cutting edge of chisel and brickwork;
- High carbon steel, sand blasted;
- Size range: 1/4" to 1".

Item NO.	A	B	L
CFS00008	1/4"	1/4"	5"
CFS00010	5/16"	1/4"	5"
CFS00012	3/8"	5/16"	5-1/2"
CFS00014	7/16"	3/8"	6"
CFS00016	1/2"	7/16"	6"
CFS00020	5/8"	1/2"	6-1/2"
CFS00024	3/4"	5/8"	7"
CFS00028	7/8"	3/4"	7-1/2"
CFS00032	1"	3/4"	8"
CFS00116	1/2"	7/16"	10"
CFS00216	1/2"	7/16"	12"
CFS00120	5/8"	1/2"	12"
CFS00220	5/8"	1/2"	18"

Item NO.	A	B	L
CFS00320	5/8"	1/2"	7"
CFS00124	3/4"	5/8"	12"
CFS00224	3/4"	5/8"	14"
CFS00324	3/4"	5/8"	18"
CFS00424	3/4"	5/8"	8"
CFS00128	7/8"	3/4"	12"
CFS00228	7/8"	3/4"	18"
CFS00328	7/8"	3/4"	9"
CFS00428	7/8"	3/4"	10"
CFS00132	1"	3/4"	12"
CFS00232	1"	3/4"	18"
CFS00332	1"	3/4"	10"
CFS00040	1-1/4"	3/4"	10"

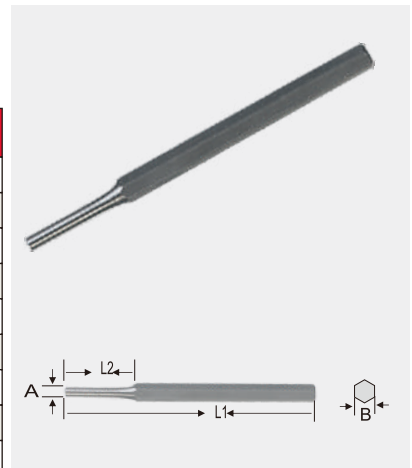


PIN PUNCH

- For driving out and removing already loosened pins and keys after initial movement by a solid punch;
- High carbon steel, sand blasted;
- Size range: 1/16" to 1/2".

Item NO.	A	B	L1	L2
PPS00002	1/16"	1/4"	4"	3/4"
PPS00003	3/32"	5/16"	4-1/2"	7/8"
PPS00004	1/8"	5/16"	4-3/4"	1"
PPS00005	5/32"	5/16"	5"	1"
PPS00006	3/16"	3/8"	5-1/4"	1-1/4"
PPS00007	7/32"	3/8"	5-1/2"	1-1/4"
PPS00008	1/4"	3/8"	5-3/4"	1-1/4"
PPS00010	5/16"	7/16"	6"	1-1/4"
PPS00012	3/8"	1/2"	6"	1-1/4"
PPS00014	7/16"	3/4"	10"	2-1/4"
PPS00016	1/2"	3/4"	10"	2-1/4"

Item NO.	A	B	L1	L2
PPS00104	1/8"	5/16"	5"	1-1/2"
PPS00105	5/32"	5/16"	5-1/4"	1-1/4"
PPS00106	3/16"	1/2"	6"	1-1/4"
PPS00107	7/32"	3/8"	5-1/2"	1-1/2"
PPS00108	1/4"	1/2"	6"	1-1/2"
PPS00110	5/16"	1/2"	6"	1-1/4"
PPS00112	3/8"	5/8"	8"	1-1/4"
PPS00206	3/16"	3/8"	5-1/4"	1-1/2"
PPS00208	1/4"	3/8"	5-1/2"	1-1/2"
PPS00210	5/16"	7/16"	6"	1-1/2"

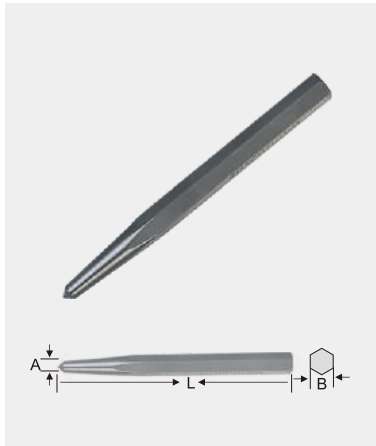


PIN PUNCH

- For driving out and removing already loosened pins and keys after initial movement by a solid punch;
- High carbon steel, zinc plated body;
- Size range: 3/32" to 3/8".

Item NO.	A	B	L1	L2
PHK00003	3/32"	9mm	153mm	58mm
PHK00004	1/8"	9mm	153mm	58mm
PHK00005	5/32"	9mm	160mm	65mm
PHK00006	3/16"	9mm	165mm	70mm
PHK00007	7/32"	9mm	165mm	70mm
PHK00008	1/4"	9mm	165mm	70mm
PHK00010	5/16"	11.5mm	168mm	73mm
PHK00012	3/8"	11.5mm	168mm	73mm



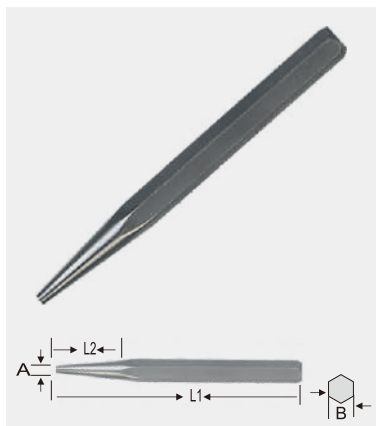


CENTER PUNCH

- For piercing or marking for starting drills in metal and other materials;
- High carbon steel, sand blasted;
- Size range: 1/16" to 3/8".

Item NO.	A	B	L
PTS00003	3/32"	1/4"	4"
PTS00005	5/32"	5/16"	4-1/2"
PTS00006	3/16"	3/8"	5"
PTS00007	7/32"	1/2"	5"
PTS00010	5/16"	1/2"	6"
PTS00012	3/8"	5/8"	6-1/4"
PTS00102	1/16"	5/16"	4"
PTS00103	3/32"	5/16"	4"

Item NO.	A	B	L
PTS00104	1/8"	5/16"	4"
PTS00105	5/32"	5/16"	4"
PTS00106	3/16"	5/16"	4"
PTS00112	3/8"	1/2"	6"
PTS00204	1/8"	3/8"	6"
PTS00206	3/16"	3/8"	5"
PTS00206	3/16"	3/8"	4-1/2"
PTS00212	3/8"	5/8"	4-1/2"



TAPER PUNCH

- For loosening frozen or tight pins and keys or knocking out rivets;
- High carbon steel, sand blasted;
- Size range: 1/16" to 1/2".

Item NO.	A	B	L1	L2
PDS00002	1/16"	3/8"	5"	1-1/2"
PDS00003	3/32"	3/8"	5"	1-1/2"
PDS00004	1/8"	3/8"	5"	1-1/2"
PDS00005	5/32"	3/8"	5"	1-1/2"
PDS00006	3/16"	3/8"	5"	1-1/2"
PDS00008	1/4"	3/8"	5"	1-1/2"
PDS00104	1/8"	3/8"	6"	2"
PDS00106	3/16"	1/2"	6"	2"
PDS00108	1/4"	1/2"	6"	2"
PDS00110	5/16"	1/2"	6"	2"
PDS00112	3/8"	5/8"	6-1/2"	2-1/4"
PDS00116	1/2"	5/8"	7"	2-1/4"
PDS00105	5/32"	1/2"	8"	2-1/2"



LINE-UP PUNCH

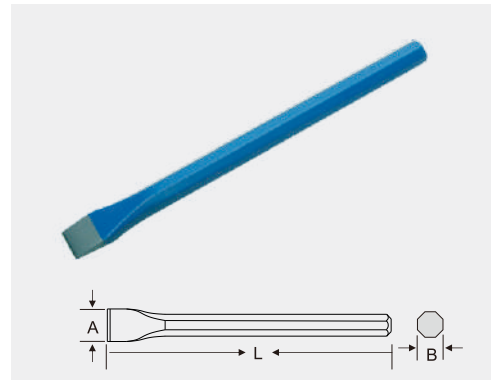
- For aligning holes in metal pieces through which rivets, pins or bolts are inserted. Do not use for driving;
- High carbon steel, sand blasted;
- Size range: 1/16" to 1/2".

Item NO.	A	B	L1	L2
PDS00206	3/16"	1/2"	9"	4-1/2"
PDS00208	1/4"	1/2"	10.5"	5"
PDS00403	3/32"	5/16"	8"	3-1/2"
PDS00404	1/8"	5/16"	8"	3-1/2"
PDS00405	5/32"	1/2"	8"	4-1/2"
PDS00406	3/16"	1/2"	10"	5"
PDS00407	7/32"	1/2"	10"	5"
PDS00408	1/4"	5/8"	12"	7-1/4"
PDS00410	5/16"	5/8"	12"	7-1/4"
PDS00412	3/8"	3/4"	15"	8"
PDS00416	1/2"	7/8"	18"	7-1/2"
PDS00505	5/32"	3/8"	9"	4-1/2"
PDS00506	3/16"	3/8"	12"	6"
PDS00508	1/4"	3/4"	15"	7-1/4"
PDS00510	5/16"	5/8"	16"	9"
PDS00608	1/4"	1/2"	14"	7-1/2"
PDS00708	1/4"	5/8"	10-1/2"	7-1/4"

MASON CHISEL (COLD CHISEL)

- Manufactured from high grade CR-V steel hardened ,tempered, accordance with DIN7254 standard. Painted blue;
- Size range: 23x16x200 to 30x20x500mm.

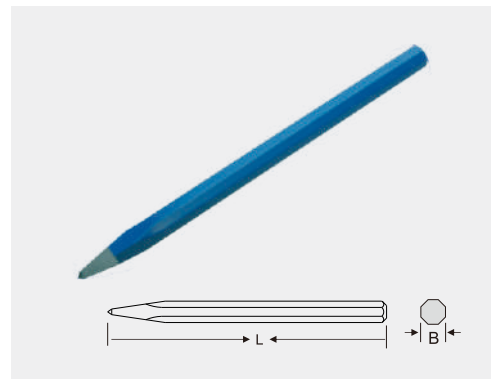
Item NO.	A	B	L
CFL00123	23mm	16mm	200mm
CFL00023	23mm	16mm	250mm
CFL00026	26mm	18mm	300mm
CFL00126	26mm	18mm	350mm
CFL00130	30mm	20mm	400mm
CFL00230	30mm	20mm	500mm



POINTED CHISEL

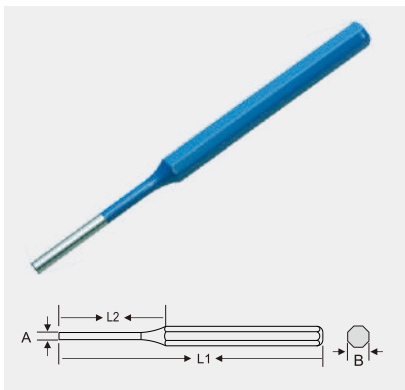
- Manufactured from high grade CR-V steel hardened ,tempered, accordance with DIN7256 standard. Painted blue;
- Size range: 16x200 to 20x500mm.

Item NO.	B	L
CPL00116	16mm	200mm
CPL00016	16mm	250mm
CPL00018	18mm	300mm
CPL00118	18mm	350mm
CPL00120	20mm	400mm
CPL00220	20mm	500mm



PIN PUNCH

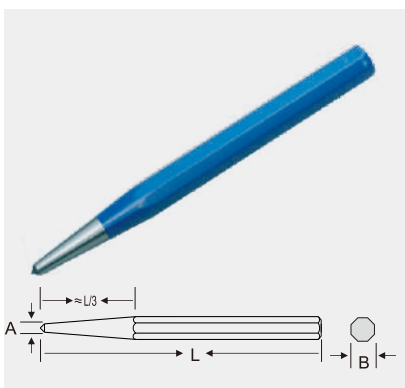
- Manufactured from high grade CR-V steel hardened ,tempered, accordance with DIN6450 standard. Painted blue;
- Size range: 2 to 8mm.



Item NO.	A	B	L1	L2
PPL00002	2mm	10mm	150mm	30mm
PPL00003	3mm	10mm	150mm	40mm
PPL00004	4mm	10mm	150mm	50mm
PPL00005	5mm	10mm	150mm	50mm
PPL00006	6mm	10mm	150mm	50mm
PPL00008	8mm	12mm	150mm	50mm

CENTER PUNCH

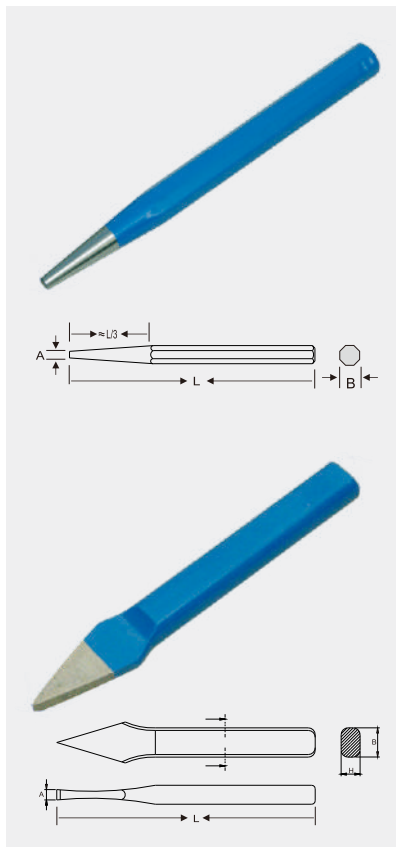
- Manufactured from high grade CR-V steel hardened ,tempered, accordance with DIN7250 standard. Painted blue;
- Size range: 4x120 to 5x150mm.



Item NO.	A	B	L
PTL00004	4mm	10mm	120mm
PTL00005	5mm	12mm	120mm
PTL00015	5mm	12mm	150mm

DRIFT PUNCH

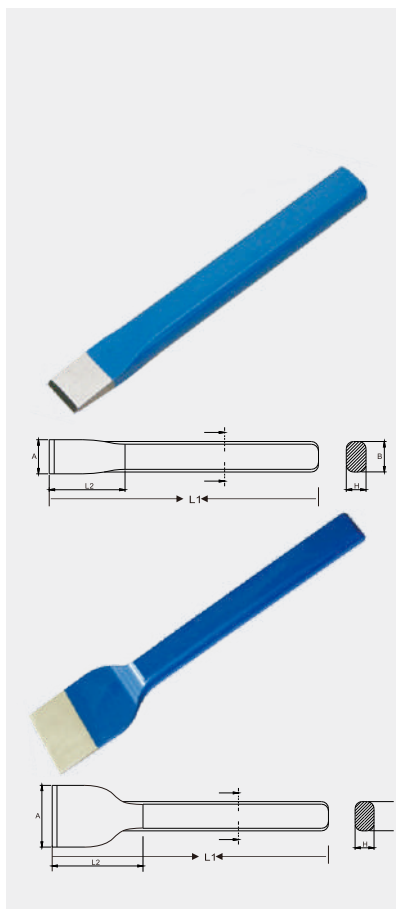
- Manufactured from high grade CR-V steel hardened ,tempered, accordance with DIN6458 standard. Painted blue;
- Size range: 1 to 10mm.



Item NO.	A	B	L
PDL00001	1mm	10mm	120mm
PDL00002	2mm	10mm	120mm
PDL00003	3mm	10mm	120mm
PDL00004	4mm	10mm	120mm
PDL00005	5mm	10mm	120mm
PDL00006	6mm	10mm	120mm
PDL00007	7mm	12mm	120mm
PDL00008	8mm	12mm	120mm
PDL00009	9mm	12mm	150mm
PDL00010	10mm	12mm	150mm

CAPE CHISEL

- Manufactured from high grade CR-V steel hardened ,tempered, accordance with DIN6451 standard. Painted blue;
- Size range: 1 to 10mm.



Item NO.	A	BxH	L
CCE00005	5mm	14x9mm	125mm
CCE00006	6mm	17x11 mm	150mm
CCE00007	7mm	17x11mm	175mm
CCE00008	8mm	20x12mm	200mm
CCE00009	9mm	23x13mm	250mm

FLAT CHISEL

- Manufactured from high grade CR-V steel hardened ,tempered, accordance with DIN6453 standard. Painted blue;
- Size range: 15 to 26mm.

Item NO.	A	BxH	L1	L2
CFE00015	15mm	14x9mm	100mm	37mm
CFE00115	15mm	14x9mm	125mm	37mm
CFE00018	18mm	17x11mm	150mm	45mm
CFE00021	21mm	20x12mm	175mm	50mm
CFE00024	24mm	23x13mm	200mm	52mm
CFE00025	25mm	23x13mm	250mm	52mm
CFE00026	26mm	23x13mm	300mm	52mm

FLAT CHISEL

- Manufactured from high grade CR-V steel hardened ,tempered, Painted blue;
- Size range: 28 to 100 mm.

Item NO.	A	BxH	L1	L2
CFE00028	28mm	23x13mm	250mm	52mm
CFE00030	30mm	23x13mm	250mm	52mm
CFE00050	50mm	23x13mm	250mm	85mm
CFE00060	60mm	23x13mm	230mm	74mm
CFE00070	70mm	23x13mm	230mm	80mm
CFE00080	80mm	26x13mm	230mm	80mm
CFE00090	90mm	26x13mm	230mm	80mm
CFE00100	100mm	26x13mm	230mm	80mm

COLD CHISEL with COLOR SOFT RUBBER GRIP

- Chrome vanadium steel, black oxide;
- Soft rubber grip with step, multi-color available;
- Size: 10mm

Item NO.	A(mm)	L(mm)
CFJ00010	10	125



PIN PUNCH with COLOR SOFT RUBBER GRIP

- Chrome vanadium steel, black oxide;
- Soft rubber grip with step, multi-color available;
- Size range: 3,4,5,6,8mm; 1/8", 5/32", 3/16", 1/4", 5/16".

Item NO.	A(mm)	L(mm)
PPJ00030	3	125
PPJ00040	4	125
PPJ00050	5	125
PPJ00060	6	125
PPJ00080	8	125

Item NO.	A(inch)	L(inch)
PPM00004	1/8"	5"
PPM00005	5/32"	5"
PPM00006	3/16"	5"
PPM00008	1/4"	5"
PPM00010	5/16"	5"



CENTER PUNCH with COLOR SOFT RUBBER GRIP

- Chrome vanadium steel, black oxide;
- Soft rubber grip with step, multi-color available;
- Size range: 1.5,2,3,4,5mm; 1/16", 3/32", 1/8", 5/32", 3/16".

Item NO.	A(mm)	L(mm)
PTJ00015	1.5	125
PTJ00020	2	125
PTJ00030	3	125
PTJ00040	4	125
PTJ00050	5	125

Item NO.	A(inch)	L(inch)
PTM00002	1/16"	5"
PTM00003	3/32"	5"
PTM00004	1/8"	5"
PTM00005	5/32"	5"
PTM00006	3/16"	5"



TAPER PUNCH with COLOR SOFT RUBBER GRIP

- Chrome vanadium steel, black oxide;
- Soft rubber grip with step, multi-color available;
- Size range: 2,3,4,5,6mm; 3/32", 1/8", 5/32", 3/16", 1/4".

Item NO.	A(mm)	L(mm)
PDJ00020	2	125
PDJ00030	3	125
PDJ00040	4	125
PDJ00050	5	125
PDJ00060	6	125

Item NO.	A(inch)	L(inch)
PDM00003	3/32"	5"
PDM00004	1/8"	5"
PDM00005	5/32"	5"
PDM00006	3/16"	5"
PDM00008	1/4"	5"



NAIL PUNCH with COLOR SOFT RUBBER GRIP

- Chrome vanadium steel, black oxide;
- Soft rubber grip with step, multi-color available;
- Size range: 0.8, 1.5, 2.5, 3, 4mm; 1/32", 1/16", 3/32", 1/8", 5/32".

Item NO.	A(mm)	L(mm)
PNJ00008	0.8	125
PNJ00015	1.5	125
PNJ00025	2.5	125
PNJ00030	3	125
PNJ00040	4	125

Item NO.	A(inch)	L(inch)
PNM00001	1/32"	5"
PNM00002	1/16"	5"
PNM00003	3/32"	5"
PNM00004	1/8"	5"
PNM00005	5/32"	5"



3pcs PUNCH SET

- Chrome vanadium steel, black oxide;
- Soft rubber grip with step, multi-color available;



Item NO.	Description
PPJX7013	Pin Punch 3,4,5mm
PPJX7023	Pin Punch 4,5,6mm
PPJX7033	Pin Punch 5,6,8mm
PTJX7013	Center Punch 1,5,2,3mm
PTJX7023	Center Punch 2,3,4mm
PTJX7033	Center Punch 3,4,5mm
PDJX7013	Taper Punch 2,3,4mm
PDJX7023	Taper Punch 3,4,5mm
PDJX7033	Taper Punch 4,5,6mm
PNJX7013	Nail Punch 0,8,1,5,2,5mm
PNJX7023	Nail Punch 1,5,2,5,3mm
PNJX7033	Nail Punch 2,5,3,4mm
PCJX7013	Pin Punch 3mm,Nail Punch 3mm,Center Punch 3mm
PCJX7023	Nail Punch 3mm,Pin Punch 8mm,Center Punch 3mm
PCJX7033	Nail Punch 0,8,1,5mm,Center Punch 3mm
PCJX7043	Cold Chisel 10mm,pin Punch 6mm,center Punch 4mm
PCJX7053	Cold Chisel 10mm,Taper Punch 3mm,Pin Punch 4mm
PCJX7063	Cold Chisel 10mm, Pin Punch 8mm,Center Punch 5mm

4pcs PUNCH SET

- Chrome vanadium steel, black oxide;
- Soft rubber grip with step, multi-color available;



Item NO.	Description
PPJX8014	Pin Punch 3,4,5,6mm
PPJX8024	Pin Punch 4,5,6,8mm
PTJX8014	Center Punch 1,5,2,3,4mm
PTJX8024	Center Punch 2,3,4,5mm
PDJX8014	Taper Punch 2,3,4,5mm
PDJX8024	Taper Punch 3,4,5,6mm
PNJX8024	Nail Punch 0,8,1,5,2,5,3mm
PNJX7023	Nail Punch 1,5,2,5,3,4mm
PCJX8014	Pin Punch 3mm,Center Punch 3mm,Taper Punch 3mm,Nail Punch 3mm
PCJX8024	Pin Punch 3,4,5mm,Center Punch 3mm
PCJX8034	Nail Punch 0,8,1,5,2,5mm,Center Punch 3mm
PCJX8044	Center Punch 3mm,Pin Punch 4mm,Taper Punch 3mm,Cold Chisel 10mm

5pcs PUNCH SET

- Chrome vanadium steel, black oxide;
- Soft rubber grip with step, multi-color available;



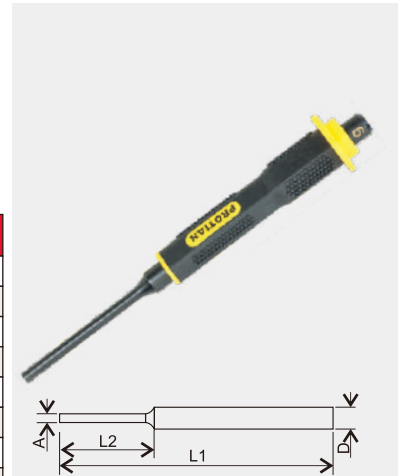
Item NO.	Description
PPJX9015	Pin Punch 3,4,5,6,8mm
PPJX9025	Pin Punch 1,5,2,3,5,6mm
PPJX9035	Pin Punch 2,3,4,5,6mm
PTJX9015	Center Punch 1,5,2,3,4,5mm
PTJX9025	Center Punch 1,5,2,5,3,4,5mm
PDJX9015	Taper Punch 2,3,4,5mm
PNJX9015	Nail Punch 0,8,1,5,2,5,3,4mm
PNJX9025	Nail Punch 1,5,2,3,4,5mm
PNJX9035	Nail Punch 1,5,2,5,3,4,5mm
PCJX9015	Nail Punch 1,5,2,5,3mm,Center Punch 3mm,Pin Punch 4mm.
PCJX9025	Nail Punch 0,8mm,Center Punch 3mm,Pin Punch 5mm,Taper Punch 3mm,Cold Chisel 10mm
PCJX9035	Pin Punch 2,4mm,Center Punch 4mm,Nail Punch 3mm,Cold Chisel 10mm

PIN PUNCH

- Chrome vanadium steel, black oxide;
- Ergonomic soft rubber grip provides comfort and safety;
- Size range: 2 to 16mm, 1/16" to 5/8";
- Patented grip.

Item NO.	A(mm)	D(mm)	L1(mm)	L2(mm)
PPB00002	2	8	165	40
PPB00003	3	8	175	50
PPB00004	4	10	185	60
PPB00005	5	10	200	75
PPB00006	6	12	200	75
PPB00007	7	12	210	85
PPB00008	8	12	210	85
PPB00009	9	14	220	95
PPB00010	10	14	220	95
PPB00012	12	16	230	105
PPB00014	14	18	240	115
PPB00016	16	18	250	125

Item NO.	A(inch)	D(mm)	L1(mm)	L2(mm)
PPO00002	1/16	8	165	40
PPO00003	3/32	8	165	40
PPO00004	1/8	8	175	50
PPO00005	5/32	10	185	60
PPO00006	3/16	10	200	75
PPO00008	1/4	12	200	75
PPO00010	5/16	12	210	85
PPO00012	3/8	14	220	95
PPO00016	1/2	16	230	105
PPO00020	5/8	18	250	125

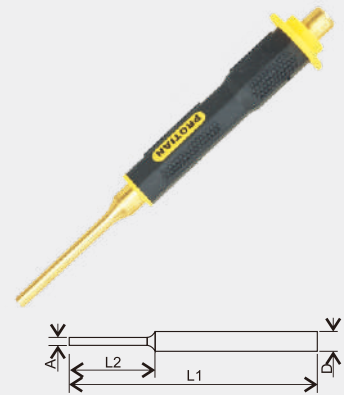


BRASS PIN PUNCH

- Manufactured from 62# brass;
- Ergonomic soft rubber grip provides comfort and safety;
- Size range: 2 to 16mm, 1/8" to 5/8";
- Patented grip.

Item NO.	A(mm)	D(mm)	L1(mm)	L2(mm)
PPC00002	2	8	165	40
PPC00003	3	8	175	50
PPC00004	4	10	190	65
PPC00005	5	10	190	65
PPC00006	6	12	190	65
PPC00007	7	12	190	65
PPC00008	8	12	190	65
PPC00009	9	14	190	65
PPC00010	10	14	190	65
PPC00012	12	16	190	65
PPC00014	14	18	190	65
PPC00016	16	18	190	65

Item NO.	A(inch)	D(mm)	L1(mm)	L2(mm)
PPP00004	1/8	8	175	50
PPP00005	5/32	10	190	65
PPP00006	3/16	10	190	65
PPP00008	1/4	12	190	65
PPP00010	5/16	12	190	65
PPP00012	3/8	14	190	65
PPP00016	1/2	16	190	65
PPP00020	5/8	18	190	65

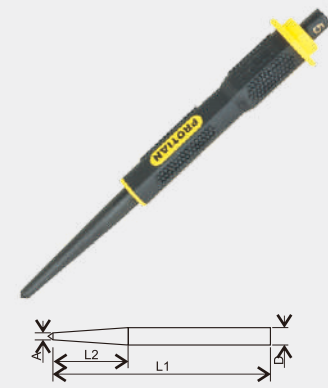


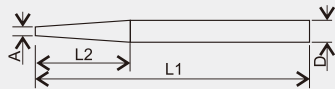
CENTER PUNCH

- Chrome vanadium steel, black oxide;
- Ergonomic soft rubber grip provides comfort and safety;
- Size range: 2 to 12mm, 1/16" to 1/2";
- Patented grip.

Item NO.	A(mm)	D(mm)	L1(mm)	L2(mm)
PTB00002	2	8	165	40
PTB00003	3	8	165	40
PTB00004	4	10	175	50
PTB00005	5	10	175	50
PTB00006	6	10	175	50
PTB00008	8	12	185	60
PTB00010	10	12	185	60
PTB00012	12	14	185	60

Item NO.	A(inch)	D(mm)	L1(mm)	L2(mm)
PTO00002	1/16	8	165	40
PTO00003	3/32	8	165	40
PTO00004	1/8	8	165	40
PTO00005	5/32	10	175	50
PTO00006	3/16	10	175	50
PTO00008	1/4	10	175	50
PTO00010	5/16	12	185	60
PTO00012	3/8	12	185	60
PTO00016	1/2	14	185	60



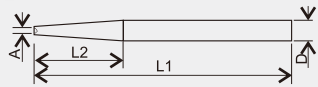


TAPER PUNCH

- Chrome vanadium steel, black oxide;
- Ergonomic soft rubber grip provides comfort and safety;
- Size range: 2 to 12mm, 1/16" to 1/2";
- Patented grip.

Item NO.	A(mm)	D(mm)	L1(mm)	L2(mm)
PDB00002	2	8	165	40
PDB00003	3	8	175	50
PDB00004	4	10	185	60
PDB00005	5	10	185	60
PDB00006	6	10	185	60
PDB00008	8	12	185	60
PDB00010	10	12	185	60
PDB00012	12	14	185	60

Item NO.	A(inch)	D(mm)	L1(mm)	L2(mm)
PDO00002	1/16	8	165	40
PDO00003	3/32	8	165	40
PDO00004	1/8	8	175	50
PDO00005	5/32	10	185	60
PDO00006	3/16	10	185	60
PDO00008	1/4	10	185	60
PDO00010	5/16	12	185	60
PDO00012	3/8	12	185	60
PDO00016	1/2	14	185	60

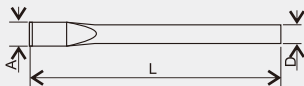


NAIL PUNCH

- Chrome vanadium steel, black oxide;
- Ergonomic soft rubber grip provides comfort and safety;
- Size range: 0.8 to 5.0mm, 1/32" to 3/16";
- Patented grip.

Item NO.	A(mm)	D(mm)	L(mm)
PNB00008	0.8	8	160
PNB00015	1.5	8	160
PNB00025	2.5	10	175
PNB00030	3.0	10	175
PNB00040	4.0	10	175
PNB00050	5.0	12	185

Item NO.	A(inch)	D(mm)	L(mm)
PNO00001	1/32	8	160
PNO00002	1/16	8	160
PNO00003	3/32	10	175
PNO00004	1/8	10	175
PNO00005	5/32	10	175
PNO00006	3/16	12	185

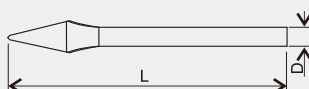


COLD CHISEL

- Chrome vanadium steel, black oxide;
- Ergonomic soft rubber grip provides comfort and safety;
- Size range: 10 to 26mm, 3/8" to 1";
- Patented grip.

Item NO.	A(mm)	D(mm)	L(mm)
CFB00010	10	8	165
CFB00012	12	10	165
CFB00016	16	12	175
CFB00019	19	12	175
CFB00020	20	14	175
CFB00022	22	16	190
CFB00026	26	18	210

Item NO.	A(inch)	D(mm)	L(mm)
CFO00012	3/8	8	165
CFO00016	1/2	10	165
CFO00020	5/8	12	175
CFO00024	3/4	14	175
CFO00028	7/8	16	190
CFO00032	1	18	210



CAPE CHISEL

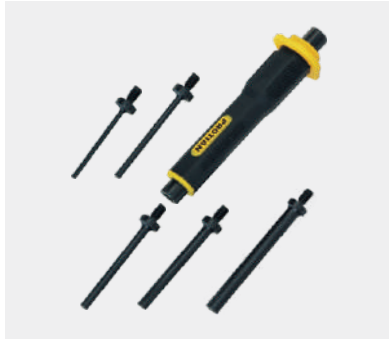
- Chrome vanadium steel, black oxide;
- Ergonomic soft rubber grip provides comfort and safety;
- Size range: 5 to 8mm, 3/16" to 5/16";
- Patented grip.

Item NO.	SIZE	D(mm)	L(mm)
CCB00005	5mm	10	175
CCB00006	6mm	12	185
CCB00008	8mm	14	200

Item NO.	SIZE	D(mm)	L(mm)
CCO00006	3/16"	10	175
CCO00008	1/4"	12	185
CCO00010	5/16"	14	200

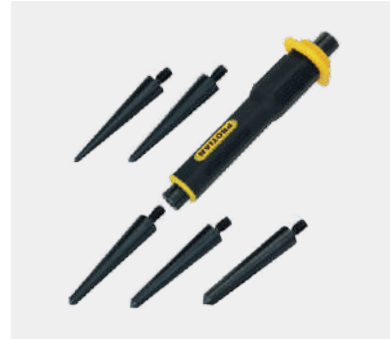
PHBZ0106 6pcs INTERCHANGEABLE PIN PUNCH SET

- Chrome vanadium steel, black oxide;
- Ergonomic soft rubber grip provides comfort and safety;
- Sizes: 3,4,5,6,8mm



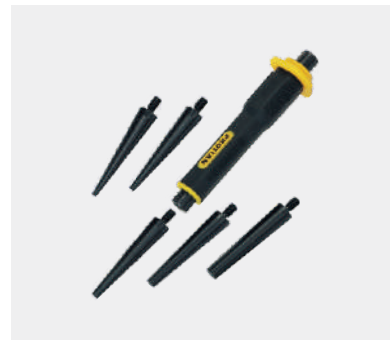
PUBZ0106 6pcs INTERCHANGEABLE CENTER PUNCH SET

- Chrome vanadium steel, black oxide;
- Ergonomic soft rubber grip provides comfort and safety;
- Sizes: 3,4,5,6,8mm



PEBZ0106 6pcs INTERCHANGEABLE TAPER PUNCH SET

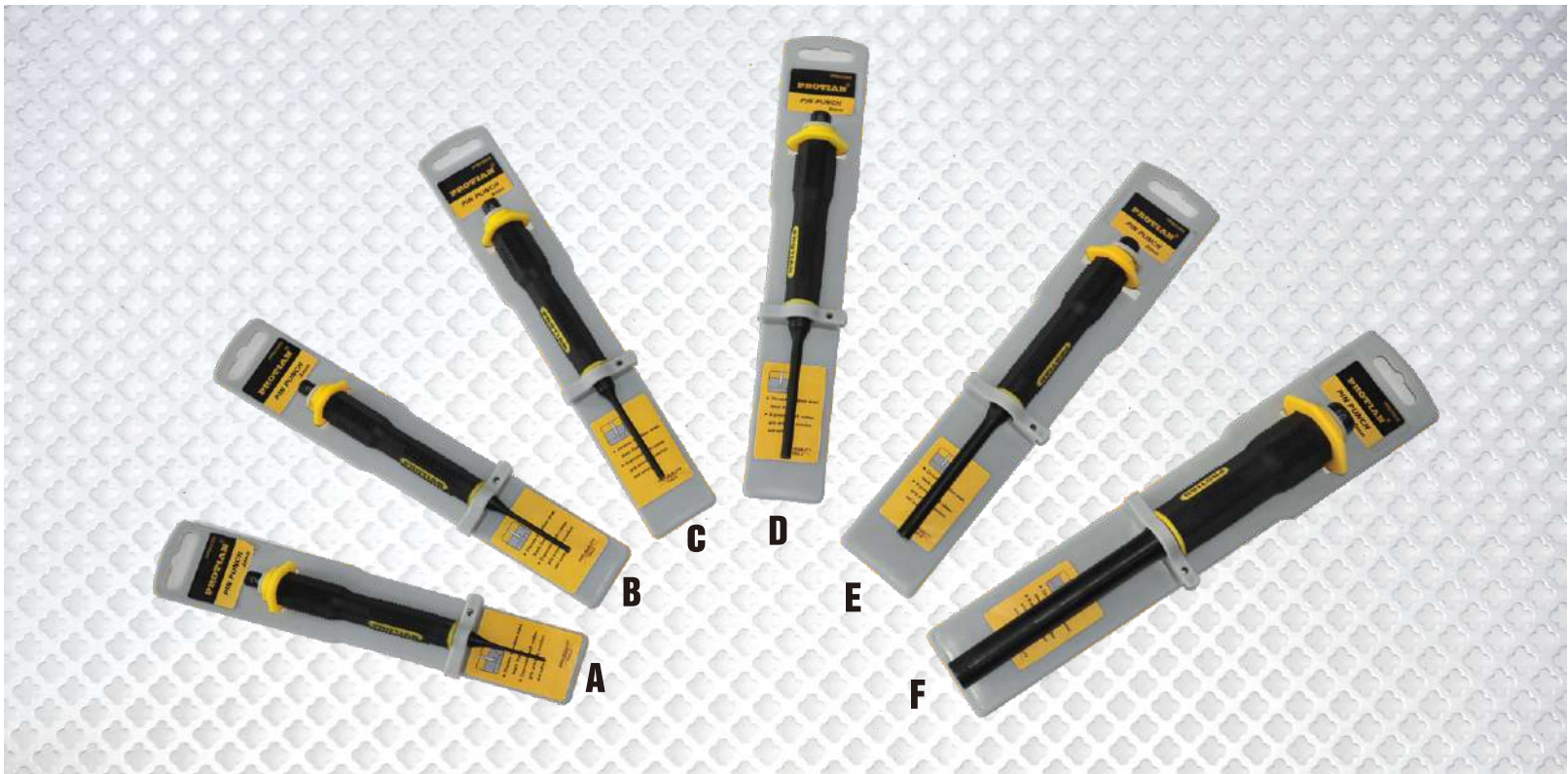
- Chrome vanadium steel, black oxide;
- Ergonomic soft rubber grip provides comfort and safety;
- Sizes: 3,4,5,6,8mm



PCBLA021 21pcs PUNCH & CHISEL SET

- Chrome vanadium steel, black oxide;
- Ergonomic soft rubber grip provides comfort and safety;
- Set includes: 9pc pin punch: 2, 3, 4, 5, 6, 8, 10, 12, 14 mm;
2pc center punch: 5, 6 mm;
5pc taper punch: 2, 3, 4, 5, 6 mm;
2pc cold chisel: 12, 19 mm;
2pc cape chisel: 5, 6 mm;
1pc machinist hammer 300g.
- Blow case + Sleeve packing;
- Patented grip.

PUNCH & CHISEL RACK



RACK NO.	Fit Blade Diameter	Fit Product
A	8mm	Rack A-F fit all punch & chisel of page 26,27
B	10mm	
C	12mm	
D	14mm	
E	16mm	
F	18mm	

707 BOX SET



6pcs PUNCH & CHISEL SET

- Chrome vanadium steel, black oxide;
- Ergonomic soft rubber grip provides comfort and safety;
- Double color plastic box, steel hinge for maximum durability;
- Double blister card packing;
- Set includes: pin punch, brass pin punch, center punch, taper punch, nail punch, cold chisel and cape chisel are available;
- Patented grip and plastic box.



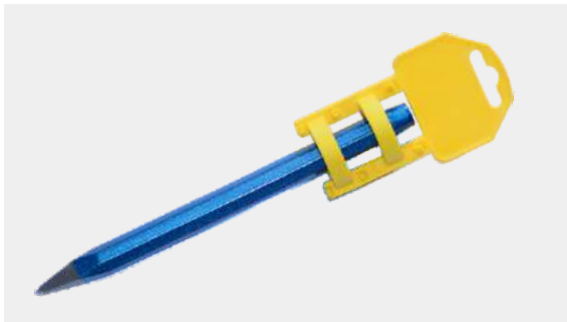
CFLX0023/026 COLD CHISEL

- High carbon steel, black oxide;
- Ergonomic soft rubber grip provides comfort and safety;
- Plastic holder packing;
- Size: 23x16x250mm for CFLX0023;
26x18x300mm for CFLX0026;
- Patented hand guard.



CFEX0024/50 FLAT CHISEL

- Manufactured from high grade CR-V steel hardened ,tempered,
- accordance with DIN6453 standard. Painted black;
- Size range: 24x250mm,26x250mm
28x250mm,30x250mm
50x250mm.
- * Din standard



CPLX2016 POINTED CHISEL

- CR-V steel, painted;
- Size: 16x250mm for CPLX2016;
19x300mm for CPLX2019;
- Plastic rack packing;
- * Further dimensions on request.



CPAX0016/019 POINTED CHISEL with HAND GUARD

- High carbon steel, black oxide instead of sand blasted;
- Ergonomic power soft rubber grip provides comfort and safety;
- Size range: 16x250mm for CPAX0016;
19x300mm for CPAX0019;
- Plastic rack packing;
- Patented hand guard.
- BS3066 standard
- * Further dimensions on request.



CFAE0022/025 COLD CHISEL with HAND GUARD

- High carbon steel, black oxide instead of sand blasted;
- Ergonomic power soft rubber grip provides comfort and safety;
- Size range: 22x16x250mm for CFAE0022;
25x19x300mm for CFAE0025;
- Double blister card packing;
- Patented hand guard.

* Further dimensions on request.



CPAE0016/019 POINTED CHISEL with HAND GUARD

- High carbon steel, black oxide instead of sand blasted;
- Ergonomic power soft rubber grip provides comfort and safety;
- Size range: 16x250mm for CPAE0016;
19x300mm for CPAE0019;
- Double blister card packing;
- Patented hand guard.

* Further dimensions on request.



CFRX2025 COLD CHISEL 1" x 3/4" x 1/2"

- Body manufactured from 60CR-V steel, hex shank;
- Hardened, tempered and painted;
- Ergonomic soft rubber grip provides comfort and safety;
- Plastic rack packing.



CPRX2025 POINTED CHISEL 3/4" x 1/2"

- Body manufactured from 60CR-V steel, hex shank;
- Hardened, tempered and painted;
- Ergonomic soft rubber grip provides comfort and safety;
- Plastic rack packing.



CBRX2075 BRICK BOLSTER 3" x 8-1/2"

- Body manufactured from 60CR-V steel, hex shank;
- Hardened, tempered and painted;
- Ergonomic soft rubber grip provides comfort and safety;
- Plastic rack packing.



CBRX2100 BRICK BOLSTER 4" x 8-1/2"

- Body manufactured from 60CR-V steel, hex shank;
- Hardened, tempered and painted;
- Ergonomic soft rubber grip provides comfort and safety;
- Plastic rack packing.



CBRX2057 ELECTRICIANS BOLSTER 2-1/4" x 10"

- Body manufactured from 60CR-V steel, hex shank;
- Hardened, tempered and painted;
- Ergonomic soft rubber grip provides comfort and safety;
- Plastic rack packing.



CRRX2075 FLOOR CHISEL 3" x 11"

- Body manufactured from 60CR-V steel, hex shank;
- Hardened, tempered and painted;
- Ergonomic soft rubber grip provides comfort and safety;
- Plastic rack packing.

CBL02057 ELECTRICIANS BOLSTER

- For levering up and cutting through the tongues and grooves of floorboards;
- CR-V steel, painted;
- Size: 57x16x225mm.

CBL02050 BRICK BOLSTER

- For scoring and trimming concrete blocks and masonry bricks;
- CR-V steel, painted;
- Size: 50x16x225mm.

CBL02060 BRICK BOLSTER

- For scoring and trimming concrete blocks and masonry bricks;
- CR-V steel, painted;
- Size: 60x19x225mm.

CBL02075 BRICK BOLSTER

- For scoring and trimming concrete blocks and masonry bricks;
- CR-V steel, painted;
- Size: 75x22x240mm.

CBL02100 BRICK BOLSTER

- For scoring and trimming concrete blocks and masonry bricks;
- CR-V steel, painted;
- Size: 100x22x240mm.





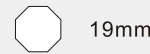
HAND GUARD TYPE A



HAND GUARD TYPE B PATENTED GUARD




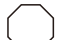
HAND GUARD TYPE C



HAND GUARD TYPE D



HAND GUARD TYPE E

E1 fit blade   **10,12mm**

E2 fit blade   **16,19mm**

E3 fit blade   **20,22mm**  **20x12, 23x13,mm**



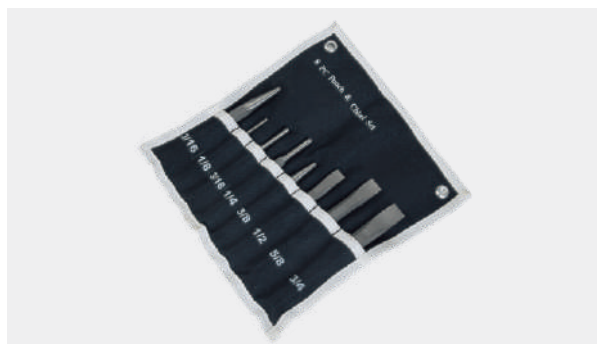
PCWE0216 16pcs PUNCH & CHISEL SET

- High carbon steel, black oxide;
- Double blister card packing;
- Set includes: 5pc pin punch: 3/32", 1/8", 5/32", 3/16", 1/4"; 5pc taper punch: 3/32", 1/8", 5/32", 3/16", 1/4"; 3pc cold chisel: 3/8", 1/2", 5/8"; 2pc center punch: 1/8", 3/16"; 1pc chisel-punch gauge.



PPSS0107 7pcs PIN PUNCH SET

- High carbon steel, sand blasted;
- Pouch packing;
- Set includes: 1/16", 3/32", 1/8", 5/32", 3/16", 1/4", 5/16".



PCSS0108 8pcs PUNCH & CHISEL SET

- High carbon steel, sand blasted;
- Pouch packing;
- Set includes: 1pc taper punch: 3/16"; 3pc pin punch: 1/8", 3/16", 1/4"; 1pc center punch: 3/8"; 3pc cold chisel: 1/2", 5/8", 3/4".



PCSS0116 16pcs PUNCH & CHISEL SET

- High carbon steel, sand blasted;
- Pouch packing;
- Set includes: 3pc taper punch: 1/8", 3/16", 1/4"; 3pc pin punch: 1/8", 3/16", 1/4"; 3pc center punch: 5/16", 3/8", 1/2"; 5pc cold chisel: 5/16", 1/2", 5/8", 3/4", 7/8"; 2pc line-up punch: 3/16", 1/4".

DOUBLE UTILITY BARS

Art.No.	Body Size	O'all Lth
DUB00005	1/2"	5
DUB00014	1-3/8"	14



PCWP0106 6pcs PIN PUNCH SET

- CR-V steel;
- Plastic box packing;
- Set includes: pin punch :3,4,5,6,8,10x150mm



PCLR0206 6pcs PUNCH SET

- CR-V steel;
- Metal box packing;
- Set includes: pin punch 3,5,8mm,taper punch 3,5,8mm



PCLH2106 6pcs PUNCH SET

- CR-V steel;
- Set includes: center punch 4mm; taper punch 3,4mm; pin punch 5,6,8mm



PPLH2106 6pcs PIN PUNCH SET

- CR-V steel;
- Set includes: pin punch 2,3,4,5,6,8mm



PCWE0107 6pcs PUNCH SET

- Manufactured from C65 carbon steel, zinc coated;
- Set includes: pin punch 1/8",3/32",3/16"x4";center punch 3/16"x5"; cold chisel 1/2",5/8"x6",3/4"x7";
- Double blister packing.



959P3106 6pcs PUNCH SET

- Manufactured from C65 carbon steel;
- Set includes: pin punch 3,4,5,6,8mm; cold chisel 12mm;
- Plastic box packing.



NIB00116 NAIL SET 160mm

- Manufactured from CR-V steel, **drop forged**, hardened, tempered HRC50-55, sand blasted + spray-paint;
- Size: 160mm



WRB00116/136 NAIL PULLER

- Manufactured from CR-V steel, **drop forged**, hardened, tempered HRC50-55, sand blasted + spray-paint;
- Size: 160mm, 200mm, 230mm, 260mm, 280mm, 300mm, 360mm;



PRB00120/125 PRY BAR

- Manufactured from CR-V steel, **drop forged**, hardened, tempered HRC50-55, sand blasted + spray-paint;
- Size: 200mm, 250mm;



MPR00125 MOLDINGPRO PRY BAR

- Manufactured from CR-V steel, **drop forged**, hardened, tempered HRC50-55, sand blasted + spray-paint;
- Size: 250mm;



PBBM0103 3pcs PRY BAR SET

- Black oxide blade, fully HRC37-45;
- Set includes: 7/16"x7/16"x12", 7/16"x7/16"x18", 1/2"x1/2"x24"

PBBM0106 6pcs PRY BAR SET

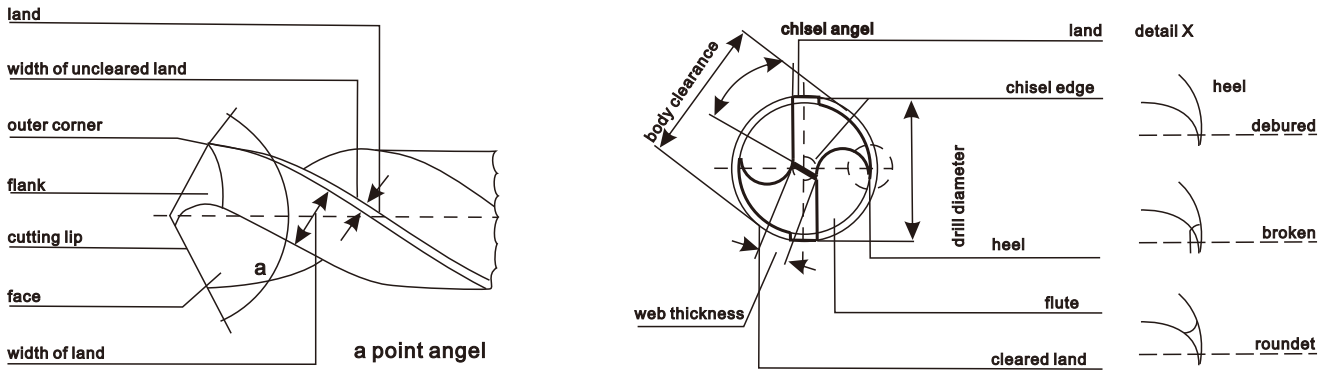
- Black oxide blade, fully HRC37-45;
- Set includes: 1/4"x1/4"x8", 7/16"x7/16"x12", 7/16"x7/16"x18", 1/2"x1/2"x24", 1/2"x1/2"x32", 5/8"x5/8"x36"



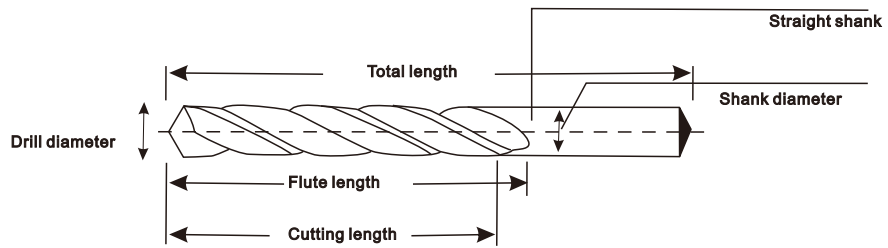
TWIST DRILLS

Definitions and Constructional elements Extract from DIN 1412

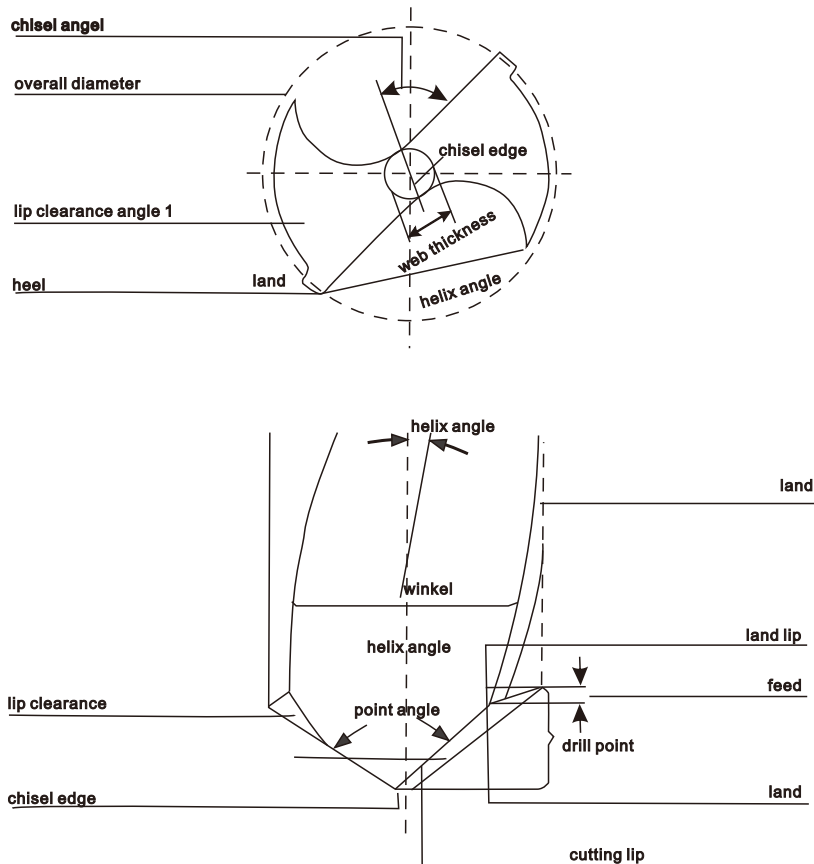
Cutting section



Twist drill with straight shank



Twist drill



DIN338 HSS TWIST DRILL

- Manufactured in accordance with DIN338 standard

Dia(mm)	L1(mm)	L (mm)	Dia(mm)	L1(mm)	L (mm)
1.0	12	34	7.1	69	109
1.1	14	36	7.2	69	109
1.2	16	38	7.3	69	109
1.3	16	38	7.4	69	109
1.4	18	40	7.5	69	109
1.5	18	40	7.6	75	117
1.6	20	43	7.7	75	117
1.7	20	43	7.8	75	117
1.8	22	46	7.9	75	117
1.9	22	46	8.0	75	117
2.0	24	49	8.1	75	117
2.1	24	49	8.2	75	117
2.2	27	53	8.3	75	117
2.3	27	53	8.4	75	117
2.4	30	57	8.5	75	117
2.5	30	57	8.6	81	125
2.6	30	57	8.7	81	125
2.7	33	61	8.8	81	125
2.8	33	61	8.9	81	125
2.9	33	61	9.0	81	125
3.0	33	61	9.1	81	125
3.1	36	65	9.2	81	125
3.2	36	65	9.3	81	125
3.3	36	65	9.4	81	125
3.4	39	70	9.5	81	125
3.5	39	70	9.6	87	133
3.6	39	70	9.7	87	133
3.7	39	70	9.8	87	133
3.8	43	75	9.9	87	133
3.9	43	75	10.0	87	133
4.0	43	75	10.1	87	133
4.1	43	75	10.2	87	133
4.2	43	75	10.3	87	133
4.3	47	80	10.4	87	133
4.4	47	80	10.5	87	133
4.5	47	80	10.6	87	133
4.6	47	80	10.7	94	142
4.7	47	80	10.8	94	142
4.8	52	86	10.9	94	142
4.9	52	86	11.0	94	142
5.0	52	86	11.1	94	142
5.1	52	86	11.2	94	142
5.2	52	86	11.3	94	142
5.3	52	86	11.4	94	142
5.4	57	93	11.5	94	142
5.5	57	93	11.6	94	142
5.6	57	93	11.7	94	142
5.7	57	93	11.8	94	142
5.8	57	93	11.9	101	151
5.9	57	93	12.0	101	151
6.0	57	93	12.1	101	151
6.1	63	101	12.2	101	151
6.2	63	101	12.3	101	151
6.3	63	101	12.4	101	151
6.4	63	101	12.5	101	151
6.5	63	101	12.6	101	151
6.6	63	101	12.7	101	151
6.7	63	101	12.8	101	151
6.8	69	109	12.9	101	151
6.9	69	109	13.0	101	151
7.0	69	109			

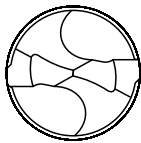


ANSI HSS TWIST DRILL

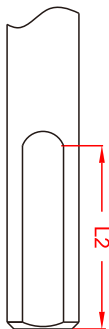
- Manufactured in accordance with ANSI B94.11 standard

Inch	Dia	mm	Inch	L1	mm	Inch	L	mm
1/16	1.59		7/8	19.05		1-7/8	47.63	
5/64	1.98		1	25.40		2	50.80	
3/32	2.38		1-1/4	31.75		2-1/4	57.15	
7/64	2.78		1-1/2	38.10		2-5/8	66.68	
1/8	3.18		1-5/8	41.28		2-3/4	69.85	
9/64	3.57		1-3/4	44.45		2-7/8	73.03	
5/32	3.97		2	50.80		3-1/8	79.38	
11/64	4.37		2-1/8	53.98		3-1/4	82.55	
3/16	4.76		2-5/16	58.74		3-1/2	88.90	
13/64	5.16		2-7/16	61.91		3-5/8	92.08	
7/32	5.56		2-1/2	63.50		3-3/4	95.25	
15/64	5.95		2-5/8	66.68		3-7/8	98.43	
1/4	6.35		2-3/4	69.85		4	101.60	
17/64	6.75		2-7/8	73.03		4-1/8	104.78	
9/32	7.14		2-15/16	74.61		4-1/4	107.95	
19/64	7.54		3-1/16	77.79		4-3/8	111.13	
5/16	7.94		3-3/16	80.96		4-1/2	114.30	
21/64	8.33		3-5/16	84.14		4-5/8	117.48	
11/32	8.73		3-7/16	87.31		4-3/4	120.65	
23/64	9.13		3-1/2	88.90		4-7/8	123.83	
3/8	9.53		3-5/8	92.08		5	127.00	
25/64	9.92		3-3/4	95.25		5-1/8	130.18	
13/32	10.32		3-7/8	98.43		5-1/4	133.35	
27/64	10.72		3-15/16	100.01		5-3/8	136.53	
7/16	11.11		4-1/16	103.19		5-1/2	139.70	
29/64	11.51		4-3/16	106.36		5-5/8	142.88	
15/32	11.91		4-5/16	109.54		5-3/4	146.05	
31/64	12.30		4-3/8	111.13		5-7/8	149.23	
1/2	12.70		4-1/2	114.30		6	152.40	

HSS Twist Drill Bit W/7 Edges



Three Flat Shank



Features:

- Supper self-centralling, point tip can drill on curved surface.
- 2x to 6x faster than normal jobber bits;
- At least 2x Tool life time than normal jobber bits;
- High Precision with Stability Performance; Much more less defect(burr) than other drill bits;
- 7 edges start at 2.5mm / 7/64";

Material:

- HSS-Co, M2, W4, etc

Surface:

- Bright, Tin-coated, Amber finish, Black, etc

Shank Type:

- Cylindrical Shank, Three Flat shank, Quick Change shank.



inch Dia	mm	inch L1	mm	inch L	mm	Three Flat Shank		Reduced Shank
						L2(mm)	H(mm)	
1/16	1.59	7/8	19.05	1-7/8	47.63			
5/64	1.98	1	25.40	2	50.80			
3/32	2.38	1-1/4	31.75	2-1/4	57.15			
7/64	2.78	1-1/2	38.10	2-5/8	66.68			
1/8	3.18	1-5/8	41.28	2-3/4	69.85			
9/64	3.57	1-3/4	44.45	2-7/8	73.03			
5/32	3.97	2	50.80	3-1/8	79.38			
11/64	4.37	2-1/8	53.98	3-1/4	82.55			
3/16	4.76	2-5/16	58.74	3-1/2	88.90	19.0	4.51	
13/64	5.16	2-7/16	61.91	3-5/8	92.08	20.0	4.89	
7/32	5.56	2-1/2	63.50	3-3/4	95.25	20.0	5.27	
15/64	5.95	2-5/8	66.68	3-7/8	98.43	20.0	5.66	
1/4	6.35	2-3/4	69.85	4	101.60	20.0	6.04	
17/64	6.75	2-7/8	73.03	4-1/8	104.78	20.0	6.43	
9/32	7.14	2-15/16	74.61	4-1/4	107.95	20.0	6.81	
19/64	7.54	3-1/16	77.79	4-3/8	111.13	20.0	7.20	
5/16	7.94	3-3/16	80.96	4-1/2	114.30	20.0	7.58	
21/64	8.33	3-5/16	84.14	4-5/8	117.48	20.0	7.97	
11/32	8.73	3-7/16	87.31	4-3/4	120.65	20.0	8.35	
23/64	9.13	3-1/2	88.90	4-7/8	123.83	20.0	8.73	
3/8	9.53	3-5/8	92.08	5	127.00	20.0	9.12	
25/64	9.92	3-5/8	92.08	5	127.00	20.0	9.12	Ø 9.525x25.4mm
13/32	10.32	3-5/8	92.08	5	127.00	20.0	9.12	Ø 9.525x25.4mm
27/64	10.72	3-5/8	92.08	5	127.00	20.0	9.12	Ø 9.525x25.4mm
7/16	11.11	3-5/8	92.08	5	127.00	20.0	9.12	Ø 9.525x25.4mm
29/64	11.51	3-5/8	92.08	5	127.00	20.0	9.12	Ø 9.525x25.4mm
15/32	11.91	3-5/8	92.08	5	127.00	20.0	9.12	Ø 9.525x25.4mm
31/64	12.30	3-5/8	92.08	5	127.00	20.0	9.12	Ø 9.525x25.4mm
1/2	12.70	3-5/8	92.08	5	127.00	20.0	9.12	Ø 9.525x25.4mm



Box Newstar Set

Item No.	HSS W4 Twist Drill Bit set W/7 Edges
NHIP7105	5 Pc HSS Twist Drill 2, 3, 4, 5, 6 mm
NHIP7107	7 Pc HSS Twist Drill 1.5, 2, 3, 4, 5, 5.5, 6 mm
NHIP7207	7 Pc HSS 1/16", 3/32", 1/8", 5/32", 3/16", 7/32", 1/4"



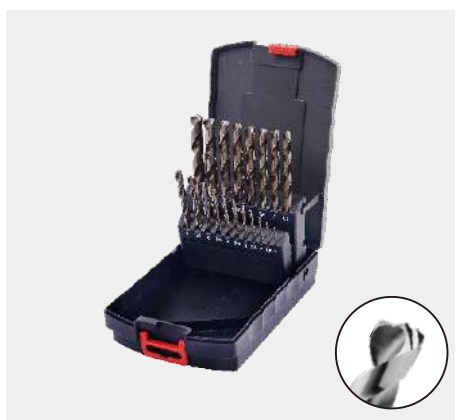
Box A With Double Blister

Item No.	HSS W4 TIN Twist Drill Bit set W/7 Edges
A55G7K13	13 Pc HSS Drill Bit Set 1/16" - 1/4"
A65G7E21	21 Pc HSS Drill Bit Set 1/16" - 1/2"
A65G7T16	16 Pc HSS Drill Bit Set 1/16" - 3/8"
A85G7D29	29 Pc HSS Drill Bit Set 1/16" - 1/2"



Box PT

Item No.	HSS M2 Twist Drill Bit set W/7 Edges
HSKPB719	19 Pcs HSS Twist Drill set 1.0 - 10.0 x 0.5 mm
HAKPB721	21 Pcs HSS Twist Drill set 1/16" - 3/8" x 1/64"
HSKPB725	25 Pcs HSS Twist Drill set 1.0 - 13.0 x 0.5 mm
HAKPB729	29 Pcs HSS Twist Drill set 1/16" - 1/2" x 1/64"



BOX D

Item No.	HSS M35 Twist Drill Bit set W/7 Edges
HSXPD719	19 Pcs HSS Twist Drill set 1.0 - 10.0 x 0.5 mm
HAXPD721	21 Pc HSS Twist Drill set 1/16" - 3/8" x 1/64"
HSXPD725	25 Pcs HSS Twist Drill set 1.0 - 13.0 x 0.5 mm
HAXPD729	29 Pc HSS Twist Drill set 1/16" - 1/2" x 1/64"



HSS M2 Double End Drill Bit

Item No.	Dia - Dia. - Length
HYK03008	1/8" - 3.175 x 14 x 49 mm
HNK03230	30# - 3.264 x 14 x 49 mm
HNK03220	20# - 4.089 x 17 x 55 mm
HNK03211	11# - 4.851 x 20 x 62 mm



M35 Cobalt Left Hand Twist Drill

Item No.	Dia - Dia. - Length
HA300005	5/64" x 1.98 x 54 mm
HA300007	7/64" x 2.78 x 63 mm
HA300010	5/32" x 3.97 x 71 mm
HA300016	1/4" x 6.35 x 78 mm
HA300019	19/64" x 7.54 x 91 mm



HSS M2 Stubby Drill Bit

Item No.	Dia - Dia. - Length
HMK00010	1.0 x 32 mm
HMK00015	1.5 x 32 mm
HMK00020	2.0 x 34 mm
HMK00025	2.5 x 36 mm
HMK03030	3.0 x 38 mm
	3.5 - 9.5 mm
HMK03100	10.0 x 54 mm



Screw Extractor

Item No.	Dia - Dia. - Length
EXM00201	1# 2.2 x 3.8 x 50 mm
EXM00202	2# 3.0 x 4.8 x 50 mm
EXM00203	3# 3.3 x 6.4 x 63 mm
EXM00204	4# 4.7 x 8.4 x 75 mm
EXM00205	5# 6.3 x 10.9 x 85 mm
EXM00206	6# 9.5 x 14.9 x 95 mm
EXM00207	7# 12.7 x 18.9 x 95 mm
EXM00208	8# 19.0 x 24.9 x 100 mm



HSS M2 Countersink 90° DIN 335C

Item No.	Dia - Dia. - Length
CSN00063	6.3 x 5 x 45 mm
CSN00083	8.3 x 6 x 50 mm
CSN00104	10.4 x 6 x 50 mm
CSN00124	12.4 x 8 x 56 mm
CSN00165	16.5 x 10 x 60 mm
CSN00205	20.5 x 10 x 63 mm
CSN00250	25.0 x 10 x 67 mm



HSS M35 Countersink 90° with Transveres Hole

Item No.	Dia - Dia. - Length
CSJ00205	2 - 5 mm
CSJ00510	5 - 10 mm
CSJ01015	10 - 15 mm
CSJ01520	15 - 20 mm
CSJ02025	20 - 25 mm
CSJ02530	25 - 30 mm



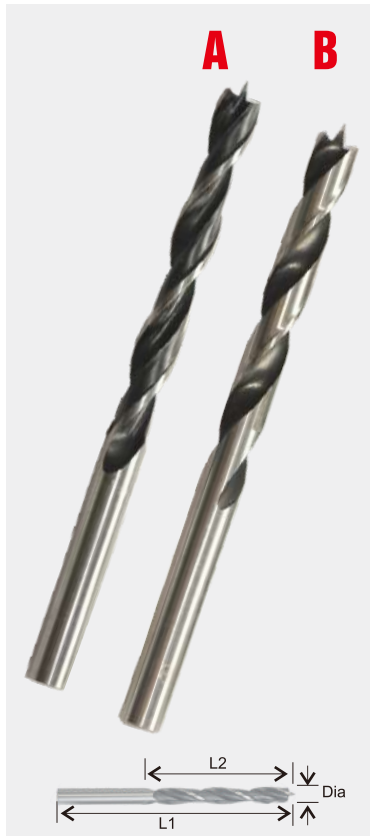
HSS M2 Step Drills with Spiral Flute

Item No.	Dia - Dia. - Length
HOK00412	4 - 12 mm
HOK00420	4 - 20 mm
HOK00630	6 - 30 mm



HSS M2 Taper Drill Bits

Item No.	Dia - Dia. - Length
HIK00314	3 - 14 mm
HIK00520	5 - 20 mm
HIK00631	6 - 30.5 mm



ROLL FORGED WOOD DRILL

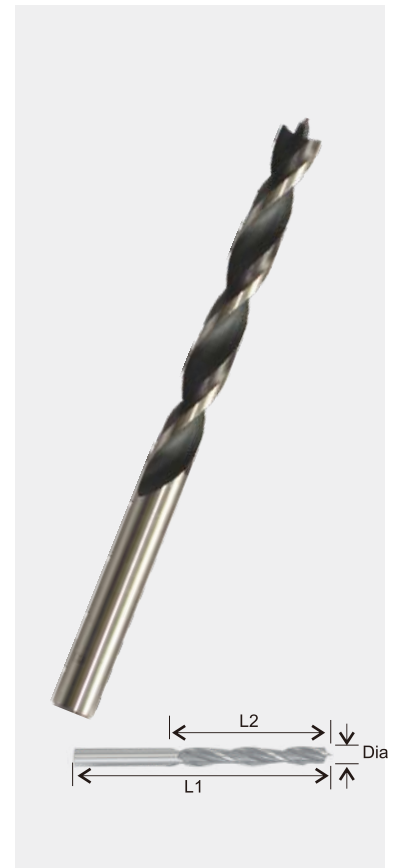
- A**
- Manufactured of carbon steel, Roll forged;
 - Size range: 3 to 15mm.
- B**
- Manufactured of carbon steel, Roll forged + Polished;
 - Size range: 3 to 20mm.

A	Item NO.	B	Item NO.	Dia(mm)	L2(mm)	L1(mm)	Reduction Shank
	WDR00003		WDR01003	3	33	61	
	WDR00004		WDR01004	4	43	75	
	WDR00005		WDR01005	5	52	86	
	WDR00006		WDR01006	6	57	93	
	WDR00007		WDR01007	7	69	109	
	WDR00008		WDR01008	8	75	117	
	WDR00009		WDR01009	9	81	125	
	WDR00010		WDR01010	10	87	133	
	WDR00011		WDR01011	11	94	142	
	WDR00012		WDR01012	12	101	151	Ø10x25mm
	WDR00013		WDR01013	13	101	151	Ø10x25mm
	WDR00014		WDR01014	14	108	160	Ø12x27mm
	WDR00015		WDR01015	15	114	169	Ø12x27mm
			WDR01016	16	120	178	Ø12x30mm
			WDR01018	18	130	195	Ø12x30mm
			WDR01020	20	140	205	Ø12x30mm

MILLED FLUTE WOOD DRILL

- Manufactured of high grade alloy steel, Milled flute;
- Size range: 3 to 20mm.

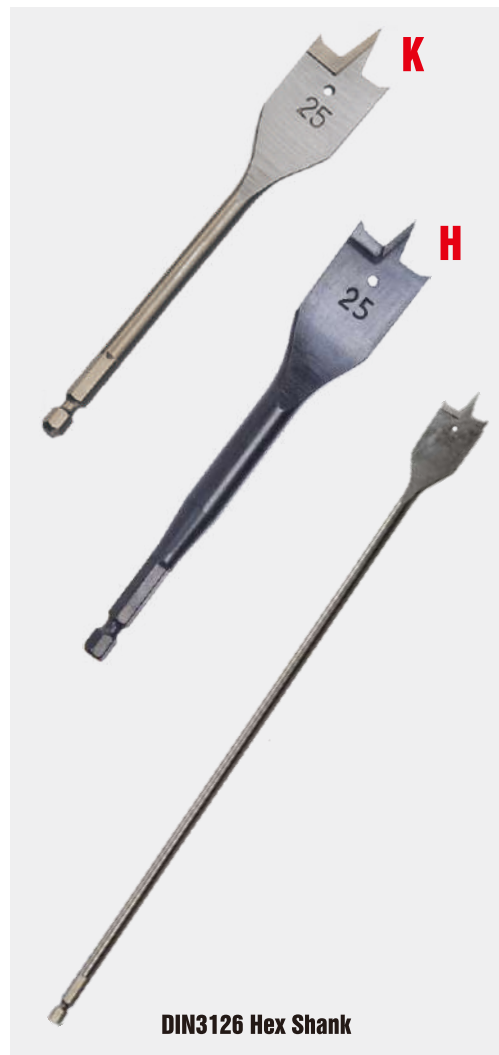
Item NO.	Dia(mm)	L2(mm)	L1(mm)	Reduction Shank
WDH00003	3	33	61	
WDH00004	4	43	75	
WDH00005	5	52	86	
WDH00006	6	57	93	
WDH00007	7	69	109	
WDH00008	8	75	117	
WDH00009	9	81	125	
WDH00010	10	87	133	
WDH00011	11	94	142	
WDH00012	12	101	151	Ø10x25mm
WDH00013	13	101	151	Ø10x25mm
WDH00014	14	108	160	Ø12x27mm
WDH00015	15	114	169	Ø12x27mm
WDH00016	16	120	178	Ø12x30mm
WDH00018	18	130	195	Ø12x30mm
WDH00020	20	140	205	Ø12x30mm







"K"& "H" FLAT WOOD DRILL

- Expert quality, manufactured from special carbon tool steel hardened and tempered.

Size		Total length (mm)	
(mm)	(Inch)	STANDARD	LONG
6	1/4"	152	405
8	5/16"	152	405
9		152	405
10	3/8"	152	405
11	7/16"	152	405
12		152	405
13	1/2"	152	405
14	9/16"	152	405
15		152	405
16	5/8"	152	405
17	11/16"	152	405
18		152	405
19	3/4"	152	405
20		152	405
21	13/16"	152	405
22	7/8"	152	405
23		152	405
24	15/16"	152	405
25		152	405
26	1"	152	405
28		152	405
29	1-1/8"	152	405
30		152	405
31		152	405
32	1-1/4"	152	405
33		152	405
35	1-3/8"	152	405
36		152	405
38	1-1/2"	152	405
40		152	405



Extension bar for flat wood drill:

Item	Length	Shank type	
EXA00152	152mm (6")		6.35mm
EXA00305	305mm (12")		
EXB00152	152mm (6")		6.35mm
EXB00270	270mm		
EXB00305	305mm (12")		
EXC00152	152mm (6")	 DIN 3126	7.1mm
EXC00305	305mm (12")		



AJW00001 15-45mm ADJUSTABLE WOOD DRILL



Single piece flat wood drill with plastic rack

- Flat wood drill, type K;
- Patented ABS rack, sleeve + sticker + shrink;
- All size and different cutting type are available.

3pc Flat wood drill set

- FSKX0103: 3pc flat wood drill 12-19-25mm, type K;
- FSKX5103: 3pc flat wood drill 1/2"-3/4"-1", type K;
- Patented ABS rack, sleeve + sticker + shrink;
- Different cutting type are available.

6pc Flat wood drill set

- FSKX0106: 6pc flat wood drill 10-13-16-19-22-25mm, type K;
- FSKX5106: 6pc flat wood drill 3/8", 1/2", 5/8", 3/4", 7/8", 1", type K;
- Patented ABS rack, sleeve + sticker + shrink;
- Different cutting type are available.



Single piece flat wood drill with plastic rack

- Flat wood drill, type H;
- Patented ABS rack, sleeve + sticker + shrink;
- X10A for 6 - 28mm x 152mm
- X10B for 30 - 40mm x 152mm
- X10D for 6 - 40mm x 405mm

FSHO0118 18pc flat wood drill set

- 17pc flat wood drill 6,8,10,12,13,14,16,18,19,20,22,24,25,26,28,32,35mm, type H, Black oxide;
- 1pc quick release extension;
- Bag + Paper box packing;
- Inch size and different cutting type are available.



FSAH0113 13pc flat wood drill with extension

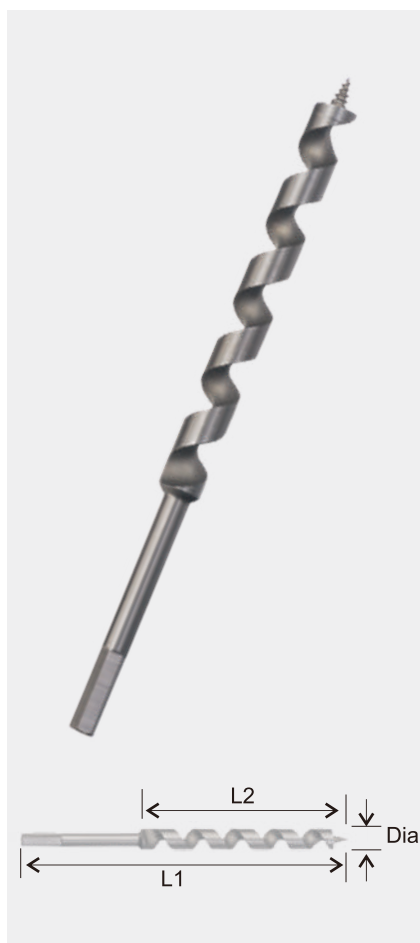
- 13pc flat wood drill 6,8,10,12,13,14,16,17,19,20,22,24,25mm, type A, polish finish;
- Plastic rack + double blister;
- Inch size and different cutting type are available.

FSKZ1117 17pc flat wood drill set

- 17pc flat wood drill 6,8,10,12,13,14,16,18,19,20,22,24,25,28,32,35,38mm, type K, Ti plated;
- 1pc extension + allen key;
- Zip bag+double blister;
- Inch size and different cutting type are available.

HEX SHANK AUGER BIT

- Manufactured of carbon steel;
- Size range: 4 to 40mm and 5/32" to 1-3/16".

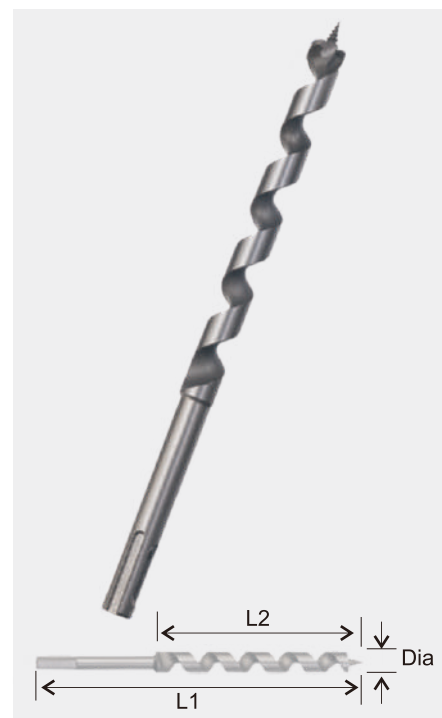


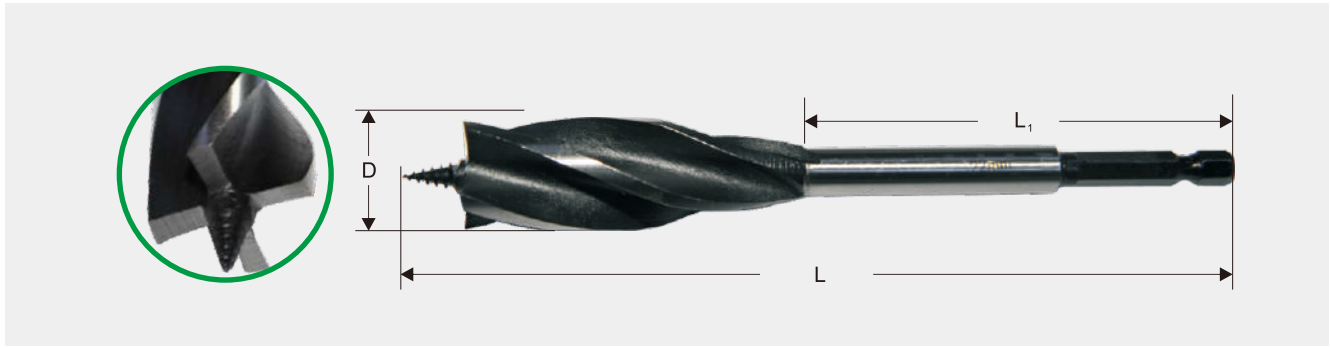
Item NO.	Dia(mm)	Dia(Inch)	L2(mm)	L1(mm)	ab
AWH0ab04	4	5/32			
AWH0ab05	5	3/16			
AWH0ab06	6	1/4			
AWH0ab07	7				
AWH0ab08	8	5/16			
AWH0ab09	9		60	100(4")	01
AWH0ab10	10	3/8	90	150(6")	02
AWH0ab11	11	7/16	130	200(8")	03
AWH0ab12	12		155	230(9")	04
AWH0ab13	13	1/2	175	250(10")	10
AWH0ab14	14	9/16	225	300(12")	11
AWH0ab15	15		320	400(16")	05
AWH0ab16	16	5/8	380	450	06
AWH0ab18	18	23/32	350	460(18")	12
AWH0ab19	19	1/4	400	500(20")	07
AWH0ab20	20	25/32	400	500(20")	07
AWH0ab22	22	7/8	530	600(24")	08
AWH0ab23	23		400	900(36")	09
AWH0ab24	24	15/16	400	1200(48")	13
AWH0ab25	25	1	400	1500(60")	14
AWH0ab26	26		64	114	15
AWH0ab28	28	1-1/8	130	190	16
AWH0ab30	30	1-3/16			
AWH0ab32	32	1-1/4			
AWH0ab34	34				
AWH0ab35	35	1-3/8			
AWH0ab36	36				
AWH0ab38	38	1-1/2			
AWH0ab40	40				

SDS AUGER BIT

- Manufactured of carbon steel;
- Size range: 6 to 30mm.

Item NO.	Dia(mm)	L2(mm)	L1(mm)
AWD00306/606	6		
AWD00307/607	7		
AWD00308/608	8		
AWD00309/608	9		
AWD00310/610	10		
AWD00312/612	12		
AWD00314/614	14	130	200
AWD00316/616	16	380	450
AWD00318/618	18		
AWD00320/620	20		
AWD00322/622	22		
AWD00324/624	24		
AWD00326/626	26		
AWD00330/630	30		





4 FLUTE AUGER BIT

- Manufactured of carbon steel, painted flute;
- Size range: 12 to 35mm and 1/2" to 1-3/8".

Item NO.	Dia(mm)	Dia(inch)	L(mm)	L1(mm)
AWF00012	12	1/2	165	35
AWF00016	16	5/8	165	35
AWF00019	19	3/4	165	35
AWF00022	22	7/8	165	35
AWF00025	25	1	165	35
AWF00028	28	1-1/8	165	35
AWF00032	32	1-1/4	165	35
AWF00035	35	1-3/8	165	35



AWHR1307 7PC AUGER BIT SET

- Manufactured of carbon steel;
- Aluminum box with windows packing;
- Size:10,12,14,16,18,20,25x200mm.



AWHR1607 7PC AUGER BIT SET

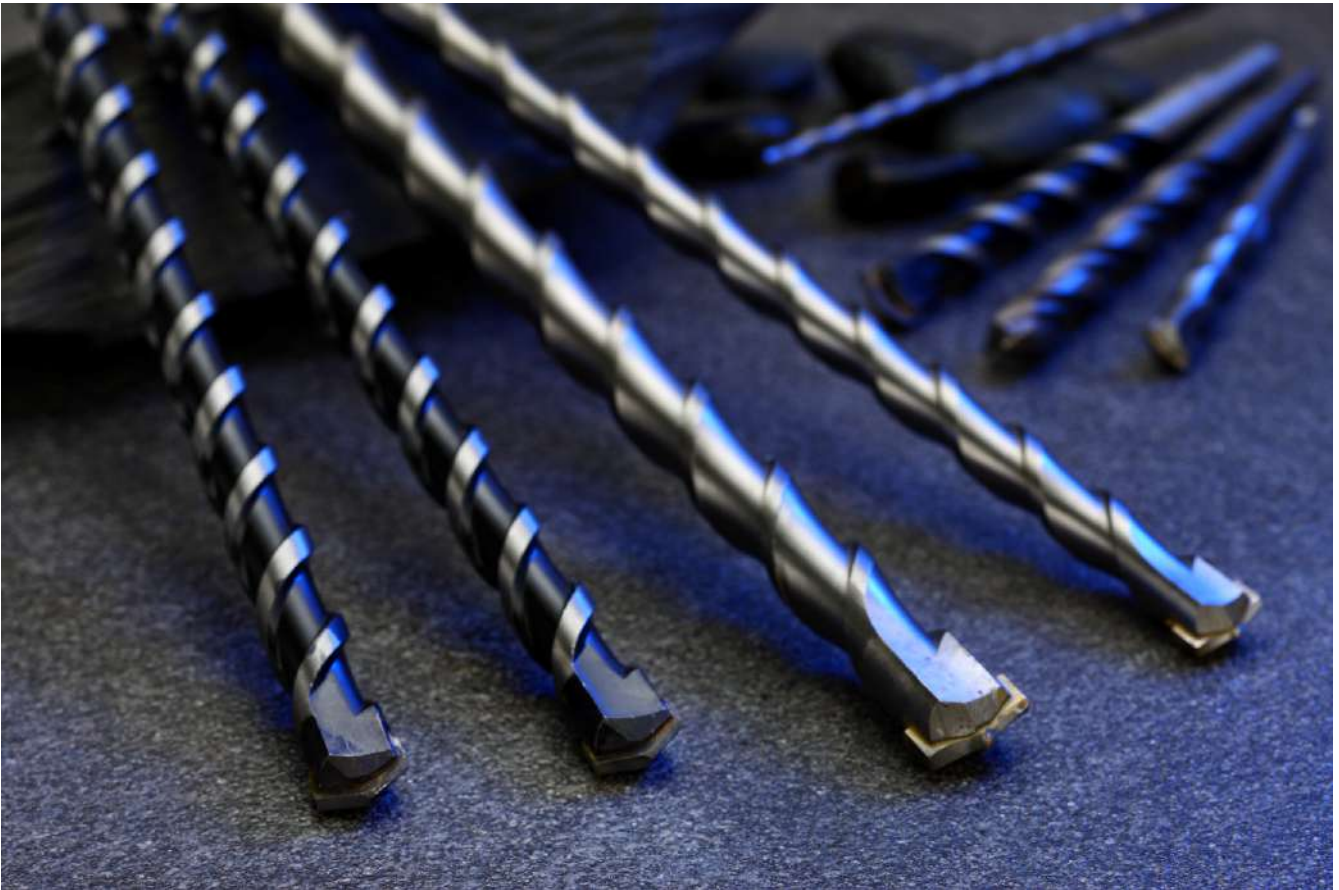
- Manufactured of carbon steel;
- Aluminum box with windows packing;
- Size:10,12,14,16,18,20,25x450mm.

701G2806 6pcs 4 FLUTE AUGER BIT SET

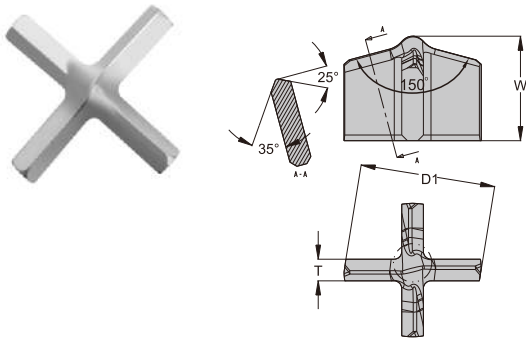
- Manufactured of carbon steel;
- Size:12,16,20,22,25,32mm;
- Double color plastic, steel hinge for maximum durability;
- Double blister card packing;
- Patented box.



MASONRY DRILLS & SDS HAMMER DRILLS

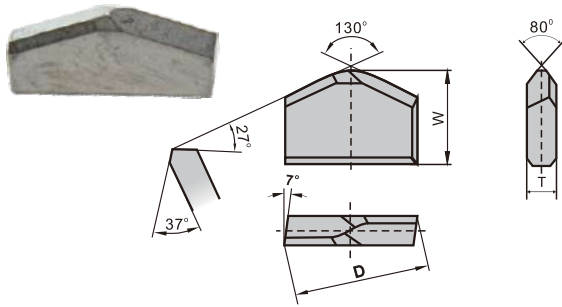


**Tip Imported From
Luxembourg**



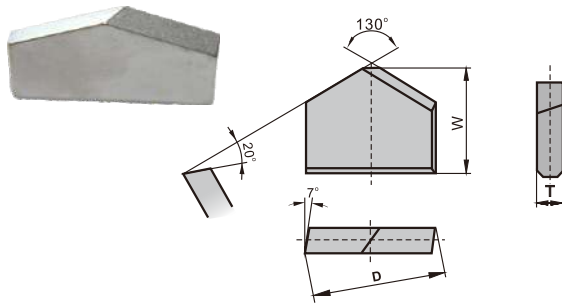
Luxembourg CERATIZIT 51805 series carbide tip for SDS hammer drill

Density	Hardness	Transverse Rupture Strength	Material
g/cm ³	HRA	Mpa	ISO code
14.65	90.4	2800	HC30/BC20



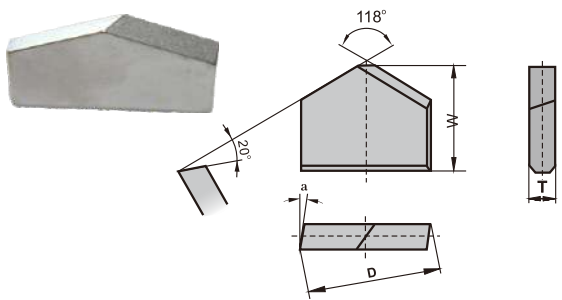
Luxembourg CERATIZIT 11400 series carbide tip for masonry drill

Density	Hardness	Transverse Rupture Strength	Material
g/cm ³	HRA	Mpa	ISO code
14.95	92.1	2200	BC05



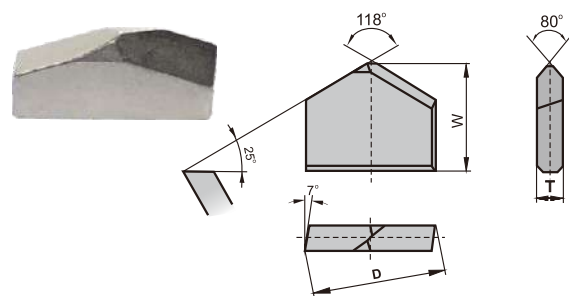
Luxembourg CERATIZIT 12500 series carbide tip for masonry drill

Density	Hardness	Transverse Rupture Strength	Material
g/cm ³	HRA	Mpa	ISO code
14.95	92.1	2200	BC05



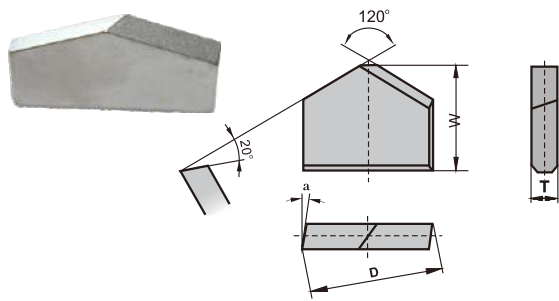
Luxembourg CERATIZIT 22000 series carbide tip for masonry drill-ANSI

Density	Hardness	Transverse Rupture Strength	Material
g/cm ³	HRA	Mpa	ISO code
14.95	92.1	2200	BC05



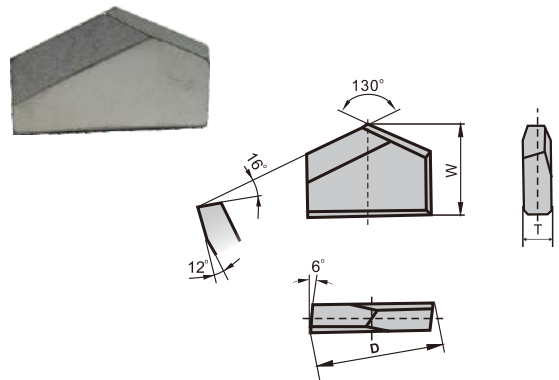
Luxembourg CERATIZIT 43500 series carbide tip for masonry drill

Density	Hardness	Transverse Rupture Strength	Material
g/cm ³	HRA	Mpa	ISO code
14.95	92.7	2150	BC03



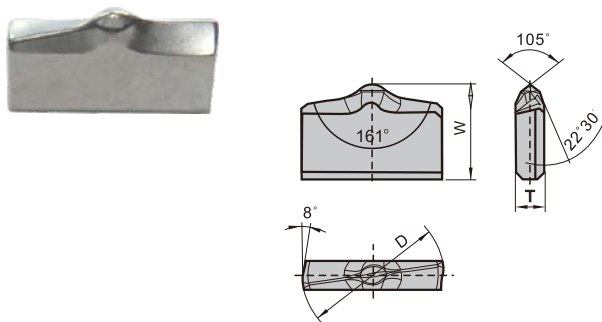
Luxembourg CERATIZIT 23500 series carbide tip for masonry drill

Density	Hardness	Transverse Rupture Strength	Material
g/cm ³	HRA	Mpa	ISO code
14.95	92.1	2200	BC05



Luxembourg CERATIZIT 24323 series carbide tip for masonry drill

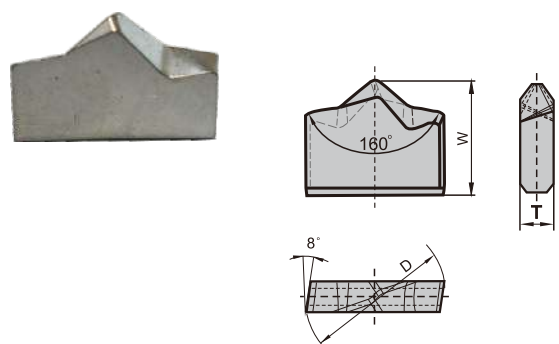
Density	Hardness	Transverse Rupture Strength	Material
g/cm ³	HRA	Mpa	ISO code
14.90	91.5	2600	BC10



Luxembourg CERATIZIT 46000 series carbide tip for SDS hammer drill

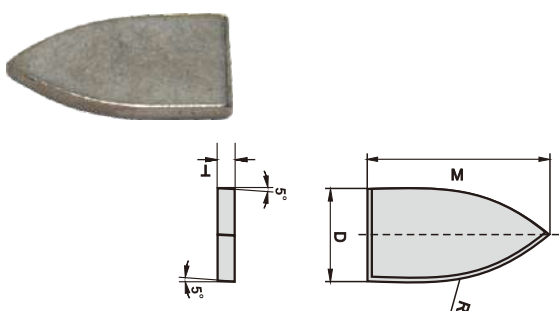
Luxembourg CERATIZIT 47500 series carbide tip for SDS hammer drill-JAPAN

Density	Hardness	Transverse Rupture Strength	Material
g/cm ³	HRA	Mpa	ISO code
14.65	90.4	2800	HC30/BC20



Luxembourg CERATIZIT 58000 series carbide tip for masonry drill

Density	Hardness	Transverse Rupture Strength	Material
g/cm ³	HRA	Mpa	ISO code
14.95	92.1	2200	BC05



Luxembourg CERATIZIT 17353 series carbide tip for glass drill

Density	Hardness	Transverse Rupture Strength	Material
g/cm ³	HRA	Mpa	ISO code
14.95	92.1	2200	BC05

Masonry Drills

- High-performance drill for percussion drilling into masonry, house bricks, nature stone and concrete.
- Manufactured in accordance with DIN8039 (ISO 5468);
- Euronorm standard tungsten carbide tipped with milled flute blade;
- Blade made of carbon steel, hardened and tempered;
- Flute "U", "L" are available;
- Sand Blasted or other different surface finish are available.



DRILL	DIA.	SHANK	STANDARD		MEDIUM		LONG		EXTRA LONG		EXTRA LONG	
			MM	MM	MM	MM	MM	MM	MM	MM	MM	MM
			L1	L2	L1	L2	L1	L2	L1	L2	L1	L2
3	1/8	2.8	70	40								
4	5/32	3.8	75	40								
4.5		3.8	85	50								
5	3/16	4.5	85	50	150	90						
5.5	7/32	4.5	85	50	150	90						
6		5.5	100	60	150	90	300	220	400	300	600	500
					200	135	300	220	400	300	600	500
6.5	1/4	5.5	100	60	150	90	300	220	400	300	600	500
7	9/32	6.4	100	60	150	90	300	220	400	300	600	500
8	5/16	7.0	120	80	150	90	300	220	400	300	600	500
					200	135	300	220	400	300	600	500
9	11/32	8.0	120	80	150	90	300	220	400	300	600	500
10	3/8	9.0	120	80	150	90	300	220	400	300	600	500
					200	135	300	220	400	300	600	500
11	7/16	10.0	150	90	200	135	300	220	400	300	600	500
12	15/32	10.0	150	90	200	135	300	220	400	300	600	500
13	1/2	10.0	150	90	200	135	300	220	400	300	600	500
14	9/16	13.0	150	90	200	135	300	220	400	300	600	500
15	19/32	13.0	150	90	200	135	300	220	400	300	600	500
16	5/8	15.0	150	90	200	135	300	220	400	300	600	500
18	23/32	16.0	160	90	200	135	300	220	400	300	600	500
19	3/4	16.0	160	90	200	135	300	220	400	300	600	500
20	13/16	18.0	160	90	200	135	300	220	400	300	600	500
22	7/8	20.0	160	90	200	135	300	220	400	300	600	500
24	15/16	22.0	160	90	200	135	300	220	400	300	600	500
25	1	22.0	160	90	200	135	300	220	400	300	600	500

Masonry Drill with Newstar Box

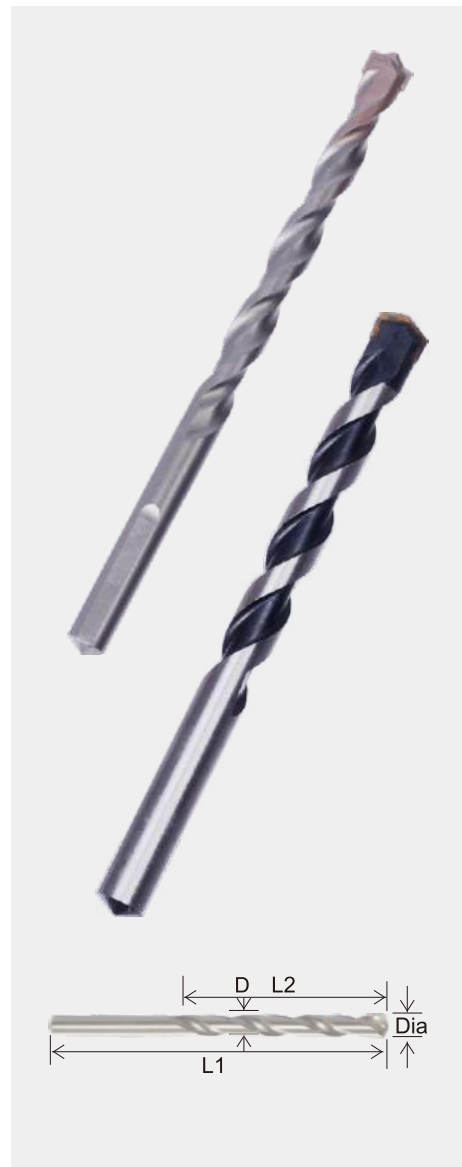


Box No.	Item	Item	Description
0108102	NMUP8104	NMLP8104	4 Pc Masonry Drill 4, 5, 6, 8 mm
0103101	NMUP8105	NMLP8105	5 Pc Masonry Drill 4, 5, 6, 8, 10 mm
0128102	NMUP8205	NMLP8205	5 Pc Masonry Drill 3, 4, 5, 6, 8 mm
0121102	NMUP8305	NMLP8305	5 Pc Masonry Drill 5, 5.5, 6, 6.5, 7 mm
0449402	NMUP8405	NMLP8405	5 Pc Masonry Drill 5 x 85, 6 x 100, + 7, 8, 10 x 150 mm
0452403	NMUP8605	NMLP8605	5 Pc Masonry Drill 4 x 75, 5 x 85, 6 x 100, + 7, 8 x 150 mm
0471401	NMUP8705	NMLP8705	5 Pc Masonry Drill Bit 4, 5, 6, 8, 10 x 150 mm
0162101	NMUP82-6	NMLP82-6	6 Pc Masonry Drill 3, 4, 5, 6, 8, 10 mm
0162101	NMUP8306	NMLP8306	6 Pc Masonry Drill 3, 5, 5.5, 6.5, 8, 10 mm
0634603	NMUP8107	NMLP8107	7 Pc Masonry Drill 4, 5, 6, 7, 8, 10, 12 mm
0634B603	NMUP8307	NMLP8307	7 Pc Masonry Drill 4, 5, 6, 6, 8, 10, 12 mm
0207201	NMUP8108	NMLP8108	8 Pc Masonry Drill 3, 4, 5, 6, 7, 8, 9, 10 mm
0214201	NMUP8208	NMLP8208	8 Pc Masonry Drill 3, 4, 5, 5.5, 6, 6.5, 8, 10 mm
0222201	NMUP8308	NMLP8308	8 Pc Masonry Drill 4, 5, 5.5, 6, 6.5, 7, 8, 10 mm
0207A201	NMUP8608	NMLP8608	8 Pc Masonry Drill 3, 4, 5, 6, 6, 8, 8, 10 mm

Concrete Drills

- High performance drill for percussion drilling into concrete, brickwork and nature stone;
- Manufactured in accordance with DIN8039 (ISO 5468);
- Euronorm standard tungsten carbide tipped with milled flute blade;
- Blade made of carbon steel, hardened and tempered;
- Flute "U", "W" are available;
- Black bright or other different surface finish are available.

DRILL	DIA.	SHANK	STANDARD		MEDIUM		LONG		EXTRA LONG		EXTRA LONG	
			MM	MM	MM	MM	MM	MM	MM	MM	MM	MM
			L1	L2	L1	L2	L1	L2	L1	L2	L1	L2
3	1/8	2.8	70	40								
4	5/32	3.8	75	40								
5	3/16	4.5	85	50	150	90						
5.5	7/32	4.5	85	50	150	90						
6		5.5	100	60	150	90	300	220	400	300	600	500
					200	135	300	220	400	300	600	500
6.5	1/4	5.5	100	60	150	90	300	220	400	300	600	500
7	9/32	6.4	100	60	150	90	300	220	400	300	600	500
8	5/16	7.0	120	80	150	90	300	220	400	300	600	500
					200	135	300	220	400	300	600	500
9	11/32	8.0	120	80	150	90	300	220	400	300	600	500
10	3/8	9.0	120	80	150	90	300	220	400	300	600	500
					200	135	300	220	400	300	600	500
11	7/16	10.0	150	90	200	135	300	220	400	300	600	500
12	15/32	10.0	150	90	200	135	300	220	400	300	600	500
13	1/2	10.0	150	90	200	135	300	220	400	300	600	500
14	9/16	13.0	150	90	200	135	300	220	400	300	600	500
16	5/8	15.0	150	90	200	135	300	220	400	300	600	500
18	23/32	16.0	160	90	200	135	300	220	400	300	600	500
20	13/16	18.0	160	90	200	135	300	220	400	300	600	500



Concrete Drill with Newstar Box

Box No.	Item	Item	Description
0108102	NMKP8104	NMQP7104	4 Pc Concrete Drill 4, 5, 6, 8 mm
0103101	NMKP8105	NMQP7105	5 Pc Concrete Drill 4, 5, 6, 8, 10 mm
0128102	NMKP8205	NMQP7205	5 Pc Concrete Drill 3, 4, 5, 6, 8 mm
0121102	NMKP8305	NMQP7305	5 Pc Concrete Drill 5, 5.5, 6, 6.5, 7 mm
0449402	NMKP8405	NMQP7405	5 Pc Concrete Drill 5 x 85, 6 x 100, + 7, 8, 10 x 150 mm
0452403	NMKP8605	NMQP7605	5 Pc Concrete Drill 4 x 75, 5 x 85, 6 x 100, + 7, 8 x 150 mm
0471401	NMKP8705	NMQP7705	5 Pc Concrete Drill Bit 4, 5, 6, 8, 10 x 150 mm
0162101	NMKP82-6	NMQP72-6	6 Pc Concrete Drill 3, 4, 5, 6, 8, 10 mm
0162101	NMKP8306	NMQP7306	6 Pc Concrete Drill 3, 5, 5.5, 6.5, 8, 10 mm
0634603	NMKP8107	NMQP7107	7 Pc Concrete Drill 4, 5, 6, 7, 8, 10, 12 mm
0634B603	NMKP8307	NMQP7307	7 Pc Concrete Drill 4, 5, 6, 6, 8, 10, 12 mm
0207201	NMKP8108	NMQP7108	8 Pc Concrete Drill 3, 4, 5, 6, 7, 8, 9, 10 mm
0214201	NMKP8208	NMQP7208	8 Pc Concrete Drill 3, 4, 5, 5.5, 6, 6.5, 8, 10 mm
0222201	NMKP8308	NMQP7308	8 Pc Concrete Drill 4, 5, 5.5, 6, 6.5, 7, 8, 10 mm
0207A201	NMKP8608	NMQP7608	8 Pc Concrete Drill 3, 4, 5, 6, 6, 8, 8, 10 mm



Granit Drills

- High performance drill for rotation drilling into granit, concrete, brick and nature stone;
- Manufactured in accordance with DIN8039 (ISO 5468);
- Euronorm standard submicron grain tungsten carbide tipped with milled flute blade;
- Blade made of carbon steel, hardened and tempered;
- Flute "L", "W" are available;
- Color Flute or other different surface finish are available.



DRILL	DIA.	SHANK	STANDARD		MEDIUM	
			L1	L2	L1	L2
3	1/8	2.8	70	40		
4	5/32	3.8	75	40		
5	3/16	4.5	85	50	150	90
5.5	7/32	4.5	85	50	150	90
6		5.5	100	60	150	90
					200	135
6.5	1/4	5.5	100	60	150	90
7	9/32	6.4	100	60	150	90
8	5/16	7.0	120	80	150	90
					200	135
9	11/32	8.0	120	80	150	90
10	3/8	9.0	120	80	150	90
					200	135
11	7/16	10.0	150	90	200	135
12	15/32	10.0	150	90	200	135
13	1/2	10.0	150	90	200	135
14	9/16	13.0	150	90	200	135
16	5/8	15.0	150	90	200	135
18	23/32	16.0	160	90	200	135
20	13/16	18.0	160	90	200	135

Granit Drill with Newstar Box



Box No.	Item	Item	Description
0108102	NMCP2104	NMAP2104	4 Pc Granit Drill 4, 5, 6, 8 mm
0103101	NMCP2105	NMAP2105	5 Pc Granit Drill 4, 5, 6, 8, 10 mm
0128102	NMCP2205	NMAP2205	5 Pc Granit Drill 3, 4, 5, 6, 8 mm
0121102	NMCP2305	NMAP2305	5 Pc Granit Drill 5, 5.5, 6, 6.5, 7 mm
0449402	NMCP2405	NMAP2405	5 Pc Granit Drill 5 x 85, 6 x 100, + 7, 8, 10 x 150 mm
0452403	NMCP2605	NMAP2605	5 Pc Granit Drill 4 x 75, 5 x 85, 6 x 100, + 7, 8 x 150 mm
0471401	NMCP2705	NMAP2705	5 Pc Granit Drill Bit 4, 5, 6, 8, 10 x 150 mm
0162101	NMCP22-6	NMAP22-6	6 Pc Granit Drill 3, 4, 5, 6, 8, 10 mm
0162101	NMCP2306	NMAP2306	6 Pc Granit Drill 3, 5, 5.5, 6.5, 8, 10 mm
0634603	NMCP2107	NMAP2107	7 Pc Granit Drill 4, 5, 6, 7, 8, 10, 12 mm
0634B603	NMCP2307	NMAP2307	7 Pc Granit Drill 4, 5, 6, 6, 8, 10, 12 mm
0207201	NMCP2108	NMAP2108	8 Pc Granit Drill 3, 4, 5, 6, 7, 8, 9, 10 mm
0214201	NMCP2208	NMAP2208	8 Pc Granit Drill 3, 4, 5, 5.5, 6, 6.5, 8, 10 mm
0222201	NMCP2308	NMAP2308	8 Pc Granit Drill 4, 5, 5.5, 6, 6.5, 7, 8, 10 mm
0207A201	NMCP2608	NMAP2608	8 Pc Granit Drill 3, 4, 5, 6, 6, 8, 8, 10 mm

Tile & Ceramic Drills

- High performance drill for rotation drilling into Tile & Ceramic, granit, concrete, brick and nature stone;
- Manufactured in accordance with DIN8039 (ISO5468);
- Euronorm standard submicron grain tungsten carbide tipped with milled flute blade;
- Blade made of carbon steel, hardened and tempered;
- Flute "U", "L" are available;
- Black Finish or other different surface finish are available.

DRILL	DIA.	SHANK	STANDARD	
MM	INCH	MM	MM	MM
			L1	L2
3	1/8	2.8	70	40
4	5/32	3.8	75	40
5	3/16	4.5	85	50
5.5	7/32	4.5	85	50
6		5.5	100	60
6.5	1/4	5.5	100	60
7	9/32	6.4	100	60
8	5/16	7.0	120	80
9	11/32	8.0	120	80
10	3/8	9.0	120	80
11	7/16	10.0	150	90
12	15/32	10.0	150	90
13	1/2	10.0	150	90
14	9/16	13.0	150	90
16	5/8	15.0	150	90
18	23/32	16.0	160	90
20	13/16	18.0	160	90



Tile-Ceramic Drill with Newstar Box

Box No.	Item	Item	Description
0108102	NMNP6104	NMXP6104	4 Pc Tile-Ceramic Drill 4, 5, 6, 8 mm
0103101	NMNP6105	NMXP6105	5 Pc Tile-Ceramic Drill 4, 5, 6, 8, 10 mm
0128102	NMNP6205	NMXP6205	5 Pc Tile-Ceramic Drill 3, 4, 5, 6, 8 mm
0121102	NMNP6305	NMXP6305	5 Pc Tile-Ceramic Drill 5, 5.5, 6, 6.5, 7 mm
0449402	NMNP6405	NMXP6405	5 Pc Tile-Ceramic Drill 5 x 85, 6 x 100, + 7, 8, 10 x 150 mm
0452403	NMNP6605	NMXP6605	5 Pc Tile-Ceramic Drill 4 x 75, 5 x 85, 6 x 100, + 7, 8 x 150 mm
0471401	NMNP6705	NMXP6705	5 Pc Tile-Ceramic Drill Bit 4, 5, 6, 8, 10 x 150 mm
0162101	NMNP62-6	NMXP62-6	6 Pc Tile-Ceramic Drill 3, 4, 5, 6, 8, 10 mm
0162101	NMNP6306	NMXP6306	6 Pc Tile-Ceramic Drill 3, 5, 5.5, 6.5, 8, 10 mm
0634603	NMNP6107	NMXP6107	7 Pc Tile-Ceramic Drill 4, 5, 6, 7, 8, 10, 12 mm
0634B603	NMNP6307	NMXP6307	7 Pc Tile-Ceramic Drill 4, 5, 6, 6, 8, 10, 12 mm
0207201	NMNP6108	NMXP6108	8 Pc Tile-Ceramic Drill 3, 4, 5, 6, 7, 8, 9, 10 mm
0214201	NMNP6208	NMXP6208	8 Pc Tile-Ceramic Drill 3, 4, 5, 5.5, 6, 6.5, 8, 10 mm
0222201	NMNP6308	NMXP6308	8 Pc Tile-Ceramic Drill 4, 5, 5.5, 6, 6.5, 7, 8, 10 mm
0207A201	NMNP6608	NMXP6608	8 Pc Tile-Ceramic Drill 3, 4, 5, 6, 6, 8, 8, 10 mm





Universal Drills

- High performance drill for rotation drilling into Metal, Concrete, Masonry, Wood etc;
- Manufactured in accordance with DIN8039 (ISO 5468);
- Euronorm standard Fine grain tungsten carbide tipped with milled flute blade;
- Blade made of carbon steel, hardened and tempered;
- Flute " Half Moon", "W" are available;
- Black bright or other different surface finish are available.

DRILL	DIA.	SHANK	STANDARD		MEDIUM	
			L1	L2	L1	L2
3	1/8	2.8	70	40		
4	5/32	3.8	75	40		
5	3/16	4.5	85	50	150	90
					200	135
5.5	7/32	4.5	85	50	150	90
					200	135
6		5.5	100	60	150	90
					200	135
					260	175
6.5	1/4	5.5	100	60	150	90
					200	135
7	9/32	6.4	100	60	150	90
					200	135
8	5/16	7.0	120	80	150	90
					200	135
					250	165
9	11/32	8.0	120	80	150	90
10	3/8	9.0	120	80	150	90
					200	135
					250	165
12	15/32	10.0	150	90	200	135
					250	165
14	9/16	13.0	150	90	200	135
16	5/8	15.0	150	90	200	135
18	23/32	16.0	160	90	200	135
20	13/16	18.0	160	90	200	135



Universal Drill with Newstar Box

Box No.	Item	Item	Description
0108102	NUTP2104	NUJP2104	4 Pc Universal Drill 4, 5, 6, 8 mm
0103101	NUTP2105	NUJP2105	5 Pc Universal Drill 4, 5, 6, 8, 10 mm
0128102	NUTP2205	NUJP2205	5 Pc Universal Drill 3, 4, 5, 6, 8 mm
0121102	NUTP2305	NUJP2305	5 Pc Universal Drill 5, 5.5, 6, 6.5, 7 mm
0449402	NUTP2405	NUJP2405	5 Pc Universal Drill 5 x 85, 6 x 100, + 7, 8, 10 x 150 mm
0452403	NUTP2605	NUJP2605	5 Pc Universal Drill 4 x 75, 5 x 85, 6 x 100, + 7, 8 x 150 mm
0471401	NUTP2705	NUJP2705	5 Pc Universal Drill Bit 4, 5, 6, 8, 10 x 150 mm
0162101	NUTP22-6	NUJP22-6	6 Pc Universal Drill 3, 4, 5, 6, 8, 10 mm
0162101	NUTP2306	NUJP2306	6 Pc Universal Drill 3, 5, 5.5, 6.5, 8, 10 mm
0634603	NUTP2107	NUJP2107	7 Pc Universal Drill 4, 5, 6, 7, 8, 10, 12 mm
0634B603	NUTP2307	NUJP2307	7 Pc Universal Drill 4, 5, 6, 6, 8, 10, 12 mm
0207201	NUTP2108	NUJP2108	8 Pc Universal Drill 3, 4, 5, 6, 7, 8, 9, 10 mm
0214201	NUTP2208	NUJP2208	8 Pc Universal Drill 3, 4, 5, 5.5, 6, 6.5, 8, 10 mm
0222201	NUTP2308	NUJP2308	8 Pc Universal Drill 4, 5, 5.5, 6, 6.5, 7, 8, 10 mm
0207A201	NUTP2608	NUJP2608	8 Pc Universal Drill 3, 4, 5, 6, 6, 8, 8, 10 mm

* T: "Half Moon" Flute J: "W" Flute

Glass Drills

- High performance drill for rotation drilling into Glass, Tile, Ceramics;
- Euronorm standard Fine grain tungsten carbide tipped with precision Diamond ground;
- Blade made of carbon steel;
- Sand blasted, Zinc plated, Tin-coated or other different surface finish are available.

Item	Dia(mm/inch)	D(mm)	d(mm)	L(mm)
GLD00003	3.0 1/8	3.4	2.9	58
GLD00004	4.0 5/32	4.4	3.8	61
GLD00005	5.0 3/16	5.4	4.6	62
GLD00006	6.0 15/64	6.4	4.6	70
GLD00065	6.5 1/4	6.8	5.2	73
GLD00007	7.0 9/32	7.4	5.2	73
GLD00008	8.0 5/16	8.4	6.1	80
GLD00009	9.0 11/32	9.4	6.7	93
GLD00010	10.0 3/8	10.4	6.7	96
GLD00012	12.0 15/32	12.4	8.8	96
GLD00013	13.0 1/2	13.4	8.8	96
GLD00014	14.0 9/16	14.4	10.0	96



Cross Cutter Glass & Ceramic Tile Drill Bit

Item	Dia(mm)	D(mm)	d(mm)	L(mm)
GLX05003	3.0	3.4	2.9	58
GLX05035	3.5	3.9	2.9	58
GLX05004	4.0	4.4	3.8	61
GLX05005	5.0	5.6	4.6	62
GLX05006	6.0	6.6	4.6	70
GLX05065	6.5	6.8	5.2	73
GLX05008	8.0	8.4	6.1	80
GLX05010	10.0	10.5	6.7	96
GLX05012	12.0	12.7	8.8	96
GLX05013	13.0	13.4	8.8	96
GLX05014	14.0	14.5	10.0	96
GLX05016	16.0	16.5	14.0	100
GLX05019	19.0	19.5	14.0	110
GLX05022	22.0	22.6	17.0	115
GLX05025	25.0	25.8	19.0	120



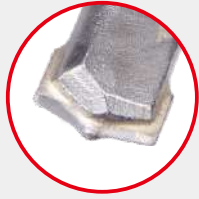
Glass Drill Bit Sand Blasted with Newstar Box

Box No.	Item No.	No.	Description
0148104	GLDP8204	2-04	4 Pc Glass Drill 3, 4, 5, 6, mm
0137104	GLDP8305	3-05	5 Pc Glass Drill 3, 4, 5, 6, 8 mm
0129104	GLDP8106	1-06	6 Pc Glass Drill 3, 4, 5, 6, 8, 10 mm
0236202	GLDP8206	2-06	6 Pc Glass Drill 4, 5, 6, 8, 10, 12 mm

Cross Cutter Glass Drill Bit Tin Coated with Newstar Box

Box No.	Item No.	No.	Description
0161104	GLEP9105	1-05	5 Pc Cross Cutter Glass Drill 4, 5, 6, 8, 10 mm





SDS Hammer Drills/Luxembourg Ceratizit Carbide Tip

- High performance SDS plus drill for granit, concrete, masonry, stone drilling;
- Euronorm standard medium grain tungsten carbide tipped with milled flute blade;
- Innovation centring carbide tip design for anti-slip;
- Blade made of 40Cr or 42CrMo steel, hardened and tempered;
- Flute "L", "U", "2U" "W" are available.

ITEM	LENGTH								
	110	160	210	260	310	350	450	600	1000
4									
5									
5.5									
6									
6.5									
7									
8									
9									
10									
11									
12									
13									
14									
15									
16									
18									
19									
20									
22									
24									
25									
26									
28									
30									
32									



SDS Hammer Drill with Newstar Box

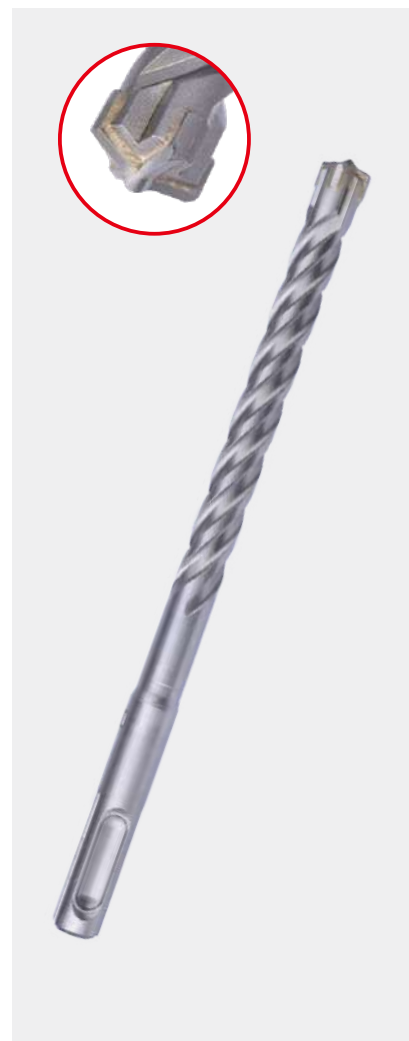
Box No.	Item	Item	Description
0116103	NSWP8104	NSCP8104	4 Pc 5, 6, 8, 10 x 110 mm
0417401	NSWP8404	NSCP8404	4 Pc 5, 6, 8, 10 x 160 mm
0417402	NSWP8504	NSCP8504	4 Pc 5, 6 x 110 + 8, 10 x 160 mm
0418402	NSWP8105	NSCP8105	5 Pc 5, 6 x 110 + 6, 8, 10 x 160 mm
0418402	NSWP8205	NSCP8205	5 Pc 5.5, 6.5 x 110 + 7, 8, 10 x 160 mm
0418401	NSWP8305	NSCP8305	5 Pc 5, 6, 7, 8, 10 x 160 mm
0418402	NSWP8405	NSCP8405	5 Pc 5, 6 x 110 + 8, 10, 12 x 160 mm
0631602	NSWP8106	NSCP8106	6 Pc 5, 6, 8 x 110 + 6, 8, 10 x 160 mm
0631602	NSWP8206	NSCP8206	6 Pc 5, 6.5, 8 x 110 + 6.5, 8, 10 x 160 mm
0666602	NSWP8107	NSCP8107	7 Pc 5, 6, 8 x 110 + 6, 8, 10, 12 x 160 mm

* W: "W" Flute C: "L" Flute

Cross Cutter SDS Hammer Drills/Luxembourg Ceratizit Carbide Tip

- High performance SDS plus drill for granit, concrete, masonry, stone drilling;
- Euronorm standard medium grain tungsten carbide tipped with milled flute blade;
- The cross design of the drill bit point increases the stability and durability of the bit;
- Blade made of 40Cr or 42CrMo steel, hardened and tempered;
- Flute "U", "2U" are available.

ITEM	LENGTH								
5	110	160	210	260	310	350			
5.5	110	160	210	260					
6	110	160	210	260			450		
6.5	110	160	210	260	310				
7	110	160	210	260	310				
8	110	160	210	260	310		450		
10	110	160	210	260	310	350	450	600	1000
12		160	210	260	310	350	450	600	1000
14		160	210	260	310	350	450	600	1000
16		160	210	260	310	350	450	600	1000
18			210	260	310		450	600	1000
20			210	260	310		450	600	1000
22			210	260	310		450		1000
24				260		350	450		1000
25				260	310	350	450	600	1000
26				260	310	350	450	600	1000
28				260	310	350	450	600	1000
30				260	310	350	450	600	1000
32						350	450	600	1000



SDS Hammer Drill with Newstar Box

Box No.	Item	Description
0116103	NSXP8104	4 Pc 5, 6, 8, 10 x 110 mm
0417401	NSXP8404	4 Pc 5, 6, 8, 10 x 160 mm
0417402	NSXP8504	4 Pc 5, 6 x 110 + 8, 10 x 160 mm
0418402	NSXP8105	5 Pc 5, 6 x 110 + 6, 8, 10 x 160 mm
0418402	NSXP8205	5 Pc 5.5, 6.5 x 110 + 7, 8, 10 x 160 mm
0418401	NSXP8305	5 Pc 5, 6, 7, 8, 10 x 160 mm
0418402	NSXP8405	5 Pc 5, 6 x 110 + 8, 10, 12 x 160 mm
0631602	NSXP8106	6 Pc 5, 6, 8 x 110 + 6, 8, 10 x 160 mm
0631602	NSXP8206	6 Pc 5, 6.5, 8 x 110 + 6.5, 8, 10 x 160 mm
0666602	NSXP8107	7 Pc 5, 6, 8 x 110 + 6, 8, 10, 12 x 160 mm



SDS MAX HAMMER DRILLS/LUXEMBOURG CERATIZIT CARBIDE TIP

- High performance SDS MAX drill for granit, concrete, masonry, stone drilling;
- Euronorm standard medium grain tungsten carbide tipped with milled flute blade;
- Blade made of 40Cr or 42CrMo steel, hardened and quench tempered;
- Flute "U", "2U" are available.



ITEM	LENGTH															
12	280		340					540								940
14	280		340					540								940
16	280		340		400			540	570			740		920	940	1320
18	280		340		400	450		540		600		740		920	940	1320
20	280	320	340		400	450	520	540		600	670	720		920		1320
22	280	320	340		400	450	520	540		600		720		920		1320
24		320	340			450	520			600						
25	280	320		370	400	450	520		570	600		720		920		1320
26	280			370		450	520			600			800			
28		320		370		450	520		570	600	670			920		1320
30		320		370		450	520		570	600	670	720		920		
32		320		370			520		570	600	670	720		920		1320
35		320		370			520		570	600	670			920		1320
38		320		370			520		570		670	720		920		
40		320		370			520		570		670	720		920		1320



SDCL0110 10 Pc SDS PLUS Drill Bit Set

- Set includes:
5.5 ,6.5 ,7 ,8 ,10 x160 mm
10 x 210 mm
12 ,14 x 310 mm
250 mm pointed chisel
250 mm flat chisel
- Blow case packing;

SDS Chisel



SDS Pointed Chisel

- Made of 40CR or 60CR-V, sand blasted;
- Size: 14x250mm



SDS Cold Chisel

- Made of 40CR or 60CR-V, sand blasted;
- Size: 20x14x250mm, 25x14x250mm

SDS MAX Chisel



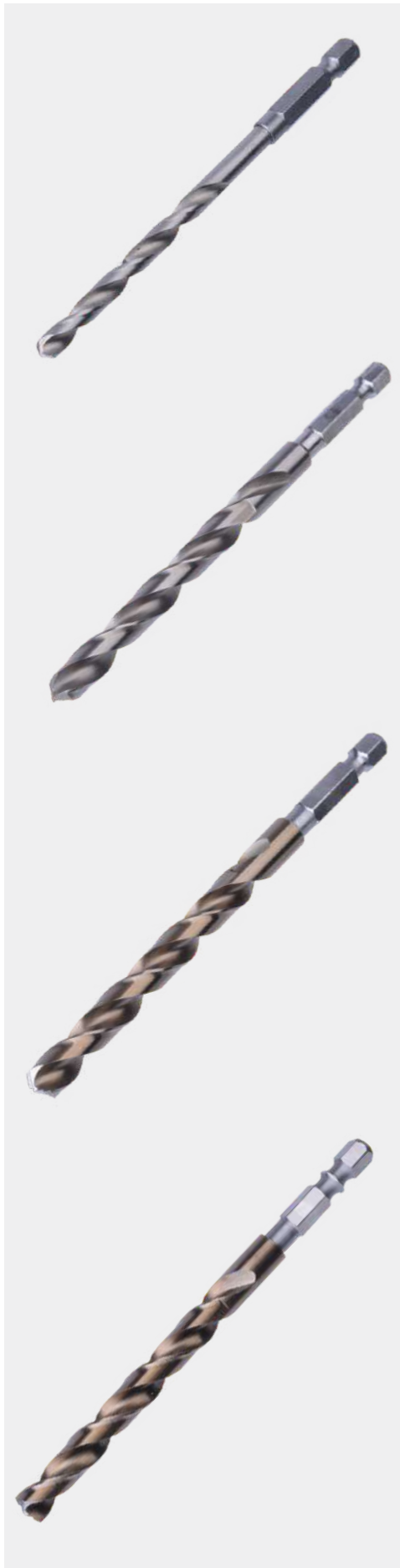
SDS MAX Pointed Chisel

- Made of 40CR or 60CR-V, sand blasted;
- Size: 18x280mm, 18x400mm, 18x600mm.



SDS MAX Cold Chisel

- Made of 40CR or 60CR-V, sand blasted;
- Size: 25x18x280mm, 25x18x400mm, 25x18x600mm.



QUICK SHANK HSS POLISHED TWIST DRILL

- Hex shank manufactured in accordance with DIN3126

Dia(mm)	L2(mm)	L1(mm)
3.0	33	80
3.5	39	89
4.0	43	94
4.5	47	99
5.0	52	105
5.5	57	112
6.0	57	112
6.5	63	120

Dia(mm)	L2(mm)	L1(mm)
7.0	69	109
7.5	69	109
8.0	75	117
8.5	75	117
9.0	81	125
9.5	81	125
10.0	87	133

QUICK SHANK HSS FULLY GROUND TWIST DRILL

- Hex shank manufactured in accordance with DIN3126

Dia(mm)	L2(mm)	L1(mm)
2.0	24	68
2.5	30	76
3.0	33	80
3.2	36	84
3.3	36	84
3.5	39	89
4.0	43	94
4.2	43	94
4.5	47	99
4.8	52	105
5.0	52	105

Dia(mm)	L2(mm)	L1(mm)
5.5	57	112
6.0	57	112
6.5	63	120
7.0	69	109
7.5	69	109
8.0	75	117
8.5	75	117
9.0	81	125
9.5	81	125
10.0	87	133

QUICK SHANK M35 TWIST DRILL W/7 EDGES

- Hex shank manufactured in accordance with DIN3126

Dia(mm)	L2(mm)	L1(mm)
3.0	33	80
3.2	36	84
3.3	36	84
3.5	39	89
4.0	43	94
4.2	43	94
4.5	47	99
4.8	52	105
5.0	52	105
5.5	57	112
6.0	57	112
6.5	63	120
7.0	69	109

Dia(mm)	L2(mm)	L1(mm)
7.5	69	109
8.0	75	117
8.5	75	117
9.0	81	125
9.5	81	125
10.0	87	133
10.5	87	133
11.0	94	142
11.5	94	142
12.0	101	151
12.5	101	151
13.0	101	151

QUICK SHANK M35 TWIST DRILL W/7 EDGES

- Hex shank manufactured in accordance with DIN3126 & JIS

Dia(mm)	L2(mm)	L1(mm)
3.0	33	80
3.2	36	84
3.3	36	84
3.5	39	89
4.0	43	94
4.2	43	94
4.5	47	99
4.8	52	105
5.0	52	105
5.5	57	112
6.0	57	112
6.5	63	120
7.0	69	109

Dia(mm)	L2(mm)	L1(mm)
7.5	69	109
8.0	75	117
8.5	75	117
9.0	81	125
9.5	81	125
10.0	87	133
10.5	87	133
11.0	94	142
11.5	94	142
12.0	101	151
12.5	101	151
13.0	101	151



QUICK SHANK WOOD DRILL

- Hex shank manufactured in accordance with DIN3126

Item NO.	Dia(mm)	L2(mm)	L1(mm)
WDQ00003	3	33	80
WDQ00004	4	43	94
WDQ00005	5	52	105
WDQ00006	6	57	112
WDK00007	7	69	109
WDK00008	8	75	117
WDK00009	9	81	125
WDK00010	10	87	133

QUICK SHANK WOOD DRILL

- Hex shank manufactured in accordance with DIN3126

Item NO.	Dia(mm)	L2(mm)	L1(mm)
WDG00003	3	33	80
WDG00004	4	43	94
WDG00005	5	52	105
WDG00006	6	57	112
WDG00007	7	69	109
WDG00008	8	75	117
WDG00009	9	81	125
WDG00010	10	87	133

HIGH QUALITY QUICK SHANK WOOD DRILL

- Hex shank manufactured in accordance with DIN3126

Item NO.	Dia(mm)	L2(mm)	L1(mm)
WDC00003	3	33	80
WDC00004	4	43	94
WDC00005	5	52	105
WDC00006	6	57	112
WDL00008	8	75	117
WDL00010	10	87	133



QUICK SHANK AUGER BIT

- Hex shank manufactured in accordance with DIN3126

Item NO.	Dia(mm)	L2(mm)	L1(mm)
AWK00204	4	110	150
AWK00205	5		
AWK00206	6		
AWK00265	6.5		
AWK00208	8		
AWK00210	10		
AWK00212	12		
AWK00213	13		



QUICK SHANK MASONRY DRILL

- Hex shank manufactured in accordance with DIN3126

Item No.	Size		Total Length
	(mm)	(Inch)	(mm)
MK800003	3	1/8"	75
MK800004	4	5/32"	85
MK800005	5	3/16"	95
MK800055	5.5	7/32"	95
MK800006	6	15/64"	100
MK800406	6	15/64"	150
MK800106	6	15/64"	200
MK800065	6.5	1/4"	100

Item No.	Size		Total Length
	(mm)	(Inch)	(mm)
MK800007	7	9/32"	100
MK800008	8	5/16"	120
MK800108	8	5/16"	200
MK800010	10	3/8"	120
MK800110	10	3/8"	200
MK800012	12	15/32"	150
MK800112	12	15/32"	200

QUICK SHANK TILE DRILL

- Hex shank manufactured in accordance with DIN3126 & JIS

Item No.	Size		Total Length
	(mm)	(Inch)	(mm)
MJW08003	3	1/8"	80
MJW08004	4	5/32"	85
MJW08005	5	3/16"	90
MJW08065	6.5	1/4"	95
MJW08008	8	5/16"	120
MJW08010	10	3/8"	120

QUICK SHANK UNIVERSAL DRILL

- Hex shank manufactured in accordance with DIN3126

Item No.	Size		Total Length
	(mm)	(Inch)	(mm)
MKT00203	3	1/8"	75
MKT00204	4	5/32"	85
MKT00205	5	3/16"	95
MKT00255	5.5	7/32"	95
MKT00206	6	15/64"	100
MKT00207	7	9/32"	100
MKT00208	8	5/16"	120
MKT00210	10	3/8"	120
MKT00212	12	15/32"	150

QUICK SHANK UNIVERSAL DRILL

- Hex shank manufactured in accordance with DIN3126

Item No.	Size		Total Length
	(mm)	(Inch)	(mm)
MKJ00404	4	5/32"	150
MKJ00405	5	3/16"	150
MKJ00406	6	15/64"	150
MKJ00465	6.5	1/4"	150
MKJ00408	8	5/16"	150
MKJ00410	10	3/8"	150



QUICK SHANK HSS DRILL SET

- Hex shank manufactured in accordance with DIN3126

Box No.	Item No.	Specifications
0119103	NIBP2105	5 Pc HSS Drill set 2, 3, 4, 5, 6 mm

* Available for 4 Pc, 5 Pc, 6 Pc, 7 Pc, 8 Pc, 9 Pc, 10 Pc and 13 Pc with Box Newstar



QUICK SHANK WOOD DRILL SET

- Hex shank manufactured in accordance with DIN3126

Box No.	Item No.	Specifications
0119103	NXGP0205	5 Pc Wood Drill set 3, 4, 5, 6, 8 mm

* Available for 4 Pc, 5 Pc, 6 Pc, 7 Pc, 8 Pc, 9 Pc with Box Newstar



QUICK SHANK MASONRY DRILL SET

- Hex shank manufactured in accordance with DIN3126

Box No.	Item No.	Specifications
0119103	NN8P8205	5 Pc Masonry Drill set 3, 4, 5, 6, 8 mm

* Available for 4 Pc, 5 Pc, 6 Pc, 7 Pc, 8 Pc with Box Newstar



QUICK SHANK UNIVERSAL DRILL SET

- Hex shank manufactured in accordance with DIN3126

Box No.	Item No.	Specifications
0472401	NUJP2705	5 Pc Universal Drill set 4, 5, 6, 8, 10 x 150 mm
0472401	NUJP2805	5 Pc Universal Drill Bit 3/16", 5/16", 1/4", 5/16", 3/8" x 6"

* Available for 4 Pc, 5 Pc, 6 Pc, 7 Pc, 8 Pc with Box Newstar



OPP Quick Change Shank Glass Drill

Item No.	Dia. (mm)	Length (mm)
GLC08004	4	74
GLC08005	5	75
GLC08006	6	76
GLC08008	8	78
GLC08010	10	82

Quick Change Shank Glass Drill

Item No.	Dia. (mm)	Length (mm)
GLK08003	3	82
GLK08035	3.5	83
GLK08004	4	83
GLK08005	5	94
GLK08006	6	95
GLK08065	6.5	95
GLK08007	7	96
GLK08008	8	107
GLK08009	9	108
GLK08010	10	109
GLK08012	12	122
GLK08013	13	123
GLK08014	14	125

Cross Tip Glass Drill Bit - DIN 3126 Shank

Item No.	Dia. (mm)	Length (mm)
GLQ08003	3	65
GLQ08035	3.5	65
GLQ08004	4	70
GLQ08005	5	75
GLQ08006	6	80
GLQ08065	6.5	80
GLQ08007	7	85
GLQ08008	8	85
GLQ08010	10	90
GLQ08012	12	95
GLQ08013	13	100
GLQ08014	14	100

Cross Tip Glass Drill Bit - JIS Quick Shank

Item No.	Dia. (mm)	Length (mm)
GLX09003	3	65
GLX09035	3.5	65
GLX09004	4	70
GLX09005	5	75
GLX09006	6	80
GLX09065	6.5	80
GLX09007	7	85
GLX09008	8	85
GLX09010	10	90
GLX09012	12	95
GLX09013	13	100
GLX09014	14	100



HSS Drill Bit With SDS Shank

Item No.	Dia. (mm)	Length (mm)
SDH0K030	3	90
SDH0K040	4	104
SDH0K050	5	115
SDH0K060	6	122
SDH0K065	6.5	130
SDH0K080	8	146
SDH0K100	10	133

Wood Drill Bit With SDS Shank

Item No.	Dia. (mm)	Length (mm)
SDI0T003	3	89
SDI0T004	4	104
SDI0T005	5	114
SDI0T006	6	122
SDI0T006	6.5	130
SDI0T008	8	146
SDI0T010	10	133

Universal Drill Bit With SDS Shank

Item No.	Dia. (mm)	Length (mm)		Item No.
SDB02104	4	110		
SDB02105	5	110	160	SDB02205
SDB02106	6	110	160	SDB02206
SDB02165	6.5	110	160	SDB02265
SDB02108	8	110	160	SDB02208
	10		160	SDB02210
	12		160	SDB02212

Cross Tip Glass Drill Bit With SDS Shank

Item No.	Dia. (mm)	Length (mm)		Item No.
SDE08104	4	110		
SDE08105	5	110	160	SDE08205
SDE08106	6	110	160	SDE08206
SDE08165	6.5	110	160	SDE08265
SDE08108	8	110	160	SDE08208
	10		160	SDE08210
	12		160	SDE08212
	13		160	SDE08213
	14		160	SDE08214

PTA SERIES



CSK00036

Carbon Steel Countersink
12.7x36x6.35mm



CKV00050

Alloy Steel Countersink
12.7x50x6.35mm



CSD00242/252/264

HSS Countersink
1/2", 5/8", 3/4"



BHD02048

Carbon Steel Bit Holder 48mm



BHF00060

Zinc Alloy Tube Bit Holder 60mm



BHS00060/1100

Stainless Steel Tube Bit Holder
60mm & 100mm



HSD00075

Bit Holder with SDS Attachment
75mm



DHQ00075

SDS Quick Release Bit Holder for
Power Bits 75mm



DHQ00080

SDS Quick Release Bit Holder for
Power Bits 80mm

PTA SERIES



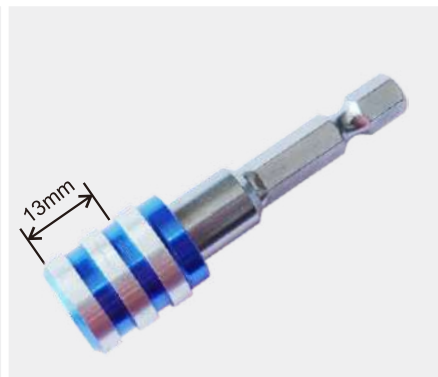
BHK01060

Quick Release Bit Holder for Power Bits 60mm



BHQ05052/5060

Quick Release Bit Holder for Power Bits 52 & 60mm



BHQ02060-B

Stainless steel Quick Release Bit Holder for Bits 60mm



BHQ03060

Stainless steel Quick Release Bit Holder for Bits 60mm



BHQ07060

Quick Release Impact Bit Holder for Power Bits 60mm



BHQ07078

Quick Release Impact Bit Holder for Power Bits 78mm



BHQ01058

Quick Release Bit Holder for Power Bits 58mm



SGD00080/0120

Screw Guide with PC Tube 80mm & 120mm



BHQ02150

Quick Release Bit Holder for Flat Wood Drills 150mm

SANDWICH PACKING SERIES



SKIN BLISTER PACKING SERIES



PVC BLISTER PACKING SERIES



PET CLAMSHELL WITH INSERT CARD PACKING SERIES



RANGE OF BOX NEWSTAR



NEWSTAR BOX SETS

For Metal Cutting					For Stone Working						
NO.	Rack	Box	Box No.		NO.	Rack	Box	Box No.			
1	32	1#	0132104	1-05	5 Pc HSS Twist Drill 2, 3, 4, 5, 6 mm	43	34	6#	0634603	1-07	7 Pc Concrete Drill 4, 5, 6, 7, 8, 10, 12 mm
2	67	1#	0167104	2-05	5 Pc HSS M35 Left Hand Twist Drill 5/64", 7/64", 5/32", 1/4", 19/64"	44	34A	6#	0634A603	2-07	7 Pc Concrete Drill 4, 5, 6, 6, 8, 10, 12 mm
3	9	1#	0109102	3-05	5 Pc HSS Twist Drill 3, 4, 5, 6, 8 mm	45	34B	6#	0634B603	3-07	7 Pc Concrete Drill 4, 5, 6, 6, 8, 10, 12 mm
4	1	1#	0101102	1-06	6 Pc HSS Twist Drill 2, 3, 4, 5, 6, 8 mm	46	43	2#	0243201	1-08	8 Pc Roll Forged Masonry Drill 3, 4, 5, 6, 7, 8, 9, 10 mm
5	24	1#	0124104	1-07	7 Pc HSS Twist Drill 1.5, 2, 3, 4, 5, 5.5, 6 mm	47	7	2#	0207201	1-08	8 Pc Concrete Drill 3, 4, 5, 6, 7, 8, 9, 10 mm
6	23	1#	0123102	2-07	7 Pc HSS 1/16", 3/32", 1/8", 5/32", 3/16", 7/32", 1/4"	48	7B	2#	0207201	1-08	8 Pc Masonry Drill 3, 4, 5, 6, 7, 8, 9, 10 mm
7	40	2#	0240201	3-07	7 Pc HSS Twist Drill 2.5, 3, 3.4, 2, 5.0, 6.8, 8.5, 10.2 mm	49	14	2#	0214201	2-08	8 Pc Concrete Drill 3, 4, 5, 5.5, 6, 6.5, 8, 10 mm
8	4	2#	0204201	1-10	10 Pc HSS Twist Drill 1, 2, 3, 4, 5, 6, 7, 8, 9, 10 mm	50	22	2#	0222201	3-08	8 Pc Concrete Drill 4, 5, 5.5, 6, 6.5, 7, 8, 10 mm
9	5	2#	0205202	1-13	13 Pc HSS Twist Drill 1.5 - 6.5 x 0.5 + 3.3, 4.2 mm	51	7A	2#	0207A201	6-08	8 Pc Concrete Drill 3, 4, 5, 6, 6, 8, 8, 10 mm
10	11	2#	0211203	2-13	13 Pc HSS Twist Drill 2.0 - 8.0 x 0.5 mm	52	39	1#	0139103	1-04	4 Pc Hex Concrete Drill 4, 5, 6, 8 mm
11	25	2#	0225202	3-13	13 Pc HSS Twist Drill 1/16" - 1/4" x 1/64"	53	19	1#	0119103	1-05	5 Pc Hex Concrete Drill 4, 5, 6, 8, 10 mm (PC Rack)
12	46	2#	0246202	4-13	13 Pc HSS Twist Drill 1.5 - 6.5 x 0.5 + 3.2, 4.8 mm	54	19	1#	0119103	2-05	5 Pc Hex Concrete Drill 3, 4, 5, 6, 8 mm (PC Rack)
13	15	3#	0315301	1-19	19 Pc HSS Twist Drill 1.0 - 10.0 x 0.5 mm	55	72	4#	0472401	5-05	5 Pc Hex Universal Drill Bit 5/32", 3/16", 1/4", 5/16", 3/8" x 6"
14	26	3#	0326301	1-21	21 Pc HSS Twist Drill 1/16" - 3/8"	56	72	4#	0472401	7-05	5 Pc Hex Universal Drill Bit 4, 5, 6, 8, 10 x 150 mm
15	27	5#	0527501	1-25	25 Pc HSS Twist Drill 1.0 - 13.0 mm	57	20	2#	0220204	6-08	8 Pc Hex Concrete Drill 3, 4, 5, 6, 6, 8, 8, 10 mm
16	33	5#	0533501	1-29	29 Pc HSS Twist Drill 1/16" - 1/2"	58	16	1#	0116103	1-04	4 Pc SDS 5, 6, 8, 10 x 110 mm
17	19	1#	0119103	1-05	5 Pc Hex HSS Twist Drill 2, 3, 4, 5, 6 mm (PC Rack)	59	17	4#	0417401	4-04	4 Pc SDS 5, 6, 8, 10 x 160 mm
18	75	7#	0775702	1-06	6 Pc Hex HSS Twist Drill 2, 3, 4, 5, 6, 8 mm	60	17	4#	0417402	5-04	4 Pc SDS 5, 6 x 110 + 8, 10 x 160 mm
19	44	2#	0244204	2-06	6 Pc Hex HSS Drill 3, 4, 5, 6, 8, 10 mm	61	18	4#	0418402	1-05	5 Pc SDS 5, 6 x 110 mm + 6, 8, 10 x 160 mm
20	77	2#	0277204	2-07	7 Pc Hex HSS 1/16", 3/32", 1/8", 5/32", 3/16", 7/32", 1/4"	62	18	4#	0418401	5-05	5 Pc SDS 6, 6, 8, 8, 10 x 160 mm
21	47	2#	0247202	2-10	10 Pc Hex JIS HSS 1.5 - 5.0 x 0.5 + 3.2, 4.8 mm	63	31	6#	0631602	1-06	6 Pc SDS 5, 6, 8 x 110 mm + 6, 8, 10 x 160 mm
22	64	2#	0264203	1-13	13 Pc Hex HSS Twist Drill 1.5 - 6.5 x 0.5 + 3.2, 4.2 mm	64	66	6#	0666602	1-07	7 Pc SDS 5, 6, 8 x 110 mm + 5, 6, 8, 10 x 160 mm
23	64	2#	0264203	3-13	13 Pc Hex HSS Twist Drill 1/16" - 1/4" x 1/64"	65	48	1#	0148104	2-04	4 Pc Glass Drill 3, 4, 5, 6, 8 mm
24	64	2#	0264203	5-13	13 Pc Hex JIS HSS Twist Drill 1.5 - 6.5 x 0.5 + 3.2, 4.8 mm	66	37	1#	0137104	3-05	5 Pc Glass Drill 3, 4, 5, 6, 8 mm
25	53	1#	0153104	1-05	5 Pc Screw Extractor set 1#, 2#, 3#, 4#, 5#	67	61	1#	0161104	1-05	5 Pc Cross Tip Glass Drill 4, 5, 6, 8, 10 mm
26	70	1#	0170104	2-05	5 Pc Screw Extractor set 1#, 2#, 3#, 4#, 5# Square Type	68	29	1#	0129104	1-06	6 Pc Glass Drill 3, 4, 5, 6, 8, 10 mm
27	45	2#	0245202	1-10	10 Pc Extractor set 1#-5# + HSS M2 2.5, 3, 4.5, 6, 8 mm	69	36	2#	0236202	2-06	6 Pc Glass Drill 4, 5, 6, 8, 10, 12 mm
28	51	2#	0251202	2-10	10 Pc Extractor set 1#-2#-3#-4#-5# + HSS (5, 7, 10, 16, 19)/64"	70	39	1#	0139103	2-04	4 Pc Hex Glass Drill 3, 4, 5, 6, 8 mm
29	60	2#	0260210	1-10	10 Pc HSS 2.5, 3.3, 4.2, 5, 6, 8 mm Tap M3, 4, 5, 6, 8	71	19	1#	0119103	1-05	5 Pc Hex Glass Drill 4, 5, 6, 8, 10 mm (PC Rack)
						72	73	1#	0173103	2-05	5 Pc Hex JIS Cross Tip Glass Drill 3, 4, 5, 6, 8 mm
						73	19	1#	0119103	3-05	5 Pc Hex Cross Tip Glass Drill 1/8", 5/32", 3/16", 1/4", 5/16"
						74	74	7#	0774702	1-06	6 Pc Hex JIS Cross Tip Glass Drill 3, 3.5, 4, 5, 6, 6.5 mm

For Stone Working					For Wood Working						
NO.	Rack	Box	Box No.		NO.	Rack	Box	Box No.			
30	8	1#	0108102	1-04	4 Pc Concrete Drill 4, 5, 6, 8 mm	75	2	1#	0102101	1-05	5 Pc Wood Drill 4, 5, 6, 8, 10 mm
31	3	1#	0103101	1-05	5 Pc Concrete Drill 4, 5, 6, 8, 10 mm	76	9	1#	0109102	2-05	5 Pc Wood Drill 3, 4, 5, 6, 8 mm
32	3	1#	0103101	1-05	5 Pc Concrete Drill 4, 5, 6, 8, 10 mm	77	41	1#	0141101	3-05	5 Pc Wood Drill 1/8", 3/16", 1/4", 5/16", 3/8"
33	3A	1#	0103101	1-05	5 Pc Masonry Drill 4, 5, 6, 8, 10 mm	78	10	2#	0210201	1-07	7 Pc Wood Drill 3, 4, 5, 6, 7, 8, 10 mm
34	42	1#	0142101	1-05	5 Pc Roll Forged Masonry Drill 4, 5, 6, 8, 10 mm	79	63	6#	0663603	2-07	7 Pc Wood Drill 4, 5, 6, 7, 8, 10, 12 mm
35	28	1#	0128102	2-05	5 Pc Concrete Drill 3, 4, 5, 6, 8 mm	80	6	2#	0206201	1-08	8 Pc Wood Drill 3, 4, 5, 6, 7, 8, 9, 10 mm
36	21	1#	0121102	3-05	5 Pc Concrete Drill 5, 5.5, 6, 6.5, 7 mm	81	19	1#	0119103	2-05	5 Pc Hex Wood Drill 3, 4, 5, 6, 8 mm (PC Rack)
37	49	4#	0449402	4-05	5 Pc Concrete Drill 5 x 85, 6 x 100, + 7, 8, 10 x 150 mm	82	19	1#	0119103	1-05	5 Pc Hex Wood Drill 4, 5, 6, 8, 10 mm (PC Rack)
38	71	4#	0471401	5-05	5 Pc Concrete Drill Bit 5/32", 3/16", 1/4", 5/16", 3/8" x 6"	83	72	4#	0472401	1-05	5 Pc Hex Auger Bit 5, 6, 8, 10, 12 x 150 mm
39	52	4#	0452403	6-05	5 Pc Concrete Drill 4 x 75, 5 x 85, 6 x 100, + 7, 8 x 150 mm	84	50	6#	0650601	1-06	6 Pc Hex Auger Bit 5, 6, 8, 10, 12, 14 x 150 mm
40	71	4#	0471401	7-05	5 Pc Concrete Drill Bit 4, 5, 6, 8, 10 x 150 mm						
41	62	1#	0162101	2-06	6 Pc Concrete Drill 3, 4, 5, 6, 8, 10 mm						
42	62	1#	0162101	3-06	6 Pc Concrete Drill 3, 5, 5.5, 6.5, 8, 10 mm						

For Wood Working					Combination						
NO.	Rack	Box	Box No.		NO.	Rack	Box	Box No.			
85	76	2#	0276204	1-07	7 Pc Hex JIS Wood Drill 3, 4, 5, 6, 7, 8, 10 mm	90	12	2#	0212203	1-09	9 Pc Mixed Set HSS 3, 4, 5, 6, 8 mm CON 4, 5, 6, 8 mm
86	59	2#	0259208	1-10	Jig Saw 3 x 76 mm + 7 x 100 mm	91	13	2#	0213203	2-09	9 Pc Mixed Wood 4, 6, 8 HSS 4, 6, 8 CON 4, 6, 8 mm
87	59	2#	0259209	2-10	Jig Saw 2 x 76 mm + 8 x 100 mm	92	35	2#	0235206	3-09	9 Pc Mixed Wood 5, 6, 8 HSS 5, 6, 8 CON 5, 6, 8 mm
88	69	6#	0669601	1-06	6 Pc Flat Wood Drill H 10, 13, 16, 19, 22, 25 mm	93	38	3#	0338301	1-18	18 Pc Mixed Wood-HSS-Con 3, 4, 5, 6, 8, 10 mm
89	69	6#	0669601	2-06	6 Pc Flat Wood Drill H 3/8", 1/2", 5/8", 3/4", 7/8", 1"	94	54	2#	0254204	1-09	9 Pc Hex Mixed Set HSS 3, 4, 5, 6, 8 mm CON 4, 5, 6, 8 mm
						95	54	2#	0254204	2-09	9 Pc Hex Mixed Wood 4, 6, 8 HSS 4, 6, 8 CON 4, 6, 8 mm
						96	54	2#	0254204	3-09	9 Pc Hex Mixed Wood 5, 6, 8 HSS 5, 6, 8 CON 5, 6, 8 mm

F BOX SETS



1# box for HSS drill:

1.0 mm – 4.2 mm x 10pc
1/16" – 5/32" x 10pc

2# box for HSS drill:

4.3 mm – 7.9 mm x 10pc
11/64" – 19/64" x 10pc



3# box for HSS drill:

8.0 mm – 9.0 mm x 10pc
9.1 mm – 13.0 mm x 5pc
5/16" – 11/32" x 10pc
23/64" – 1/2" x 5pc



PT BOX SETS



ABS box

No.	Box No.	Set	Description
1	PTA2-119	19 Pcs HSS Twist Drill set	1.0 - 10.0 x 0.5 mm
2	PTA2-219	19 Pcs HSS Twist Drill set	1.0 - 10.0 x 0.5 mm (JIS)
3	PTA2-121	21 Pcs HSS Twist Drill set	1/16" - 3/8" x 1/64"
4	PTA4-125	25 Pcs HSS Twist Drill set	1.0 - 13.0 x 0.5 mm
5	PTA4-225	25 Pcs HSS Twist Drill set	1.0 - 13.0 x 0.5 mm (JIS)
6	PTA4-129	29 Pcs HSS Twist Drill set	1/16" - 1/2" x 1/64"

Two component (ABS+TPR) box

No.	Box No.	Set	Description
1	PTB1-103	3 Pcs Step Drill	4-12 x 6 mm , 4-20 x 8 mm, 6-30 x 10 mm
2	PTB1-203	3 Pcs Taper Drill	3-14 x 6 mm , 5-20 x 8 mm, 16-30.5 x 10 mm
3	PTB1-106	6 Pcs Countersink	6.3, 8.3, 10.4, 12.4, 16.5, 20.5 mm (DIN 335-C)
4	PTB1-119	19 Pcs Stubby Hexa Drills	1.0 - 10.0 x 0.5 mm
5	PTB2-119	19 Pcs HSS Twist Drill set	1.0 - 10.0 x 0.5 mm
6	PTB2-219	19 Pcs HSS Twist Drill set	1.0 - 10.0 x 0.5 mm (JIS)
7	PTB2-121	21 Pcs HSS Twist Drill set	1/16" - 3/8" x 1/64"
8	PTB3-112	12 Pcs SDS Hammer Drill	6 Pc x 110 mm + 6 Pc x 160 mm (Max 12 x 160 mm)
9	PTB4-125	25 Pcs HSS Twist Drill set	1.0 - 13.0 x 0.5 mm
10	PTB4-225	25 Pcs HSS Twist Drill set	1.0 - 13.0 x 0.5 mm (JIS)
11	PTB4-129	29 Pcs HSS Twist Drill set	1/16" - 1/2" x 1/64"

A BOX SETS



PP box

No.	Box No.	Set - Description
1	A5-A13	13 Pcs HSS Twist Drill set 1.0 - 6.5 x 0.5 mm
2	A6-A19	19 Pcs HSS Twist Drill set 1.0 - 10.0 x 0.5 mm
3	A8-A25	25 Pcs HSS Twist Drill set 1.0 - 13.0 x 0.5 mm
4	A5-B13	13 Pcs HSS Twist Drill set 1/16" - 1/4" x 1/64"
5	A6-B21	21 Pcs HSS Twist Drill set 1/16" - 3/8" x 1/64"
6	A8-C12	12 Pcs SDS Drill set
7	A8-B29	29 Pcs HSS Twist Drill set 1/16" - 1/2" x 1/64"

Two component (ABS+TPR) box

No.	Box No.	Set - Description
1	A1-A13	13 Pcs HSS Twist Drill set 1.0 - 6.5 x 0.5 mm
2	A2-H08	8 Pcs SDS Drill set
3	A2-H10	10 Pcs SDS Drill set
4	A2-A19	19 Pcs HSS Twist Drill set 1.0 - 10.0 x 0.5 mm
5	A7-A25	25 Pcs HSS Twist Drill set 1.0 - 13.0 x 0.5 mm
6	A1-B13	13 Pcs HSS Twist Drill set 1/16" - 1/4" x 1/64"
7	A2-B21	21 Pcs HSS Twist Drill set 1/16" - 3/8" x 1/64"
8	A7-C12	12 Pcs SDS Drill set
9	A7-B29	29 Pcs HSS Twist Drill set 1/16" - 1/2" x 1/64"

TWINSTAR BOX SETS



NO.	Rack	Box	Box No.		For Metal Cutting
1	T01	1#	T0101103	1-05	5 Pc Hex HSS Drill 2, 3, 4, 5, 6 mm
2	T03	1#	T0103101	3-05	5 Pc HSS Drill 3, 4, 5, 6, 8 mm
3	T01	1#	T0101103	3-05	5 Pc Hex HSS Drill 3, 4, 5, 6, 8 mm
4	T08	3#	T0308302	5-05	5 Pc SDS Shank HSS Drill 4, 5, 6, 8, 10 mm
5	T16	1#	T0116105	1-06	6 Pc HSS Drill 2, 3, 4, 5, 6, 8 mm
6	T06	2#	T0206202	1-10	10 Pc HSS Drills 1, 2, 3, 4, 5, 6, 7, 8, 9, 10 mm
7	T12	2#	T0212204	3-13	13 Pc HSS Drill 1/16" - 1/4" x 1/64"
8	T13	2#	T0213204	1-13	13 Pc HSS Drill 1.5 - 6.5 x 0.5 + 3.3, 4.2 mm

NO.	Rack	Box	Box No.		For Stone Working
9	T01	1#	T0101103	2-05	5 Pc Hex Concrete Drill 3, 4, 5, 6, 8 mm
10	T05	1#	T0105101	1-05	5 Pc Masonry Drill 4, 5, 6, 8, 10 mm
11	T05	1#	T0105101	1-05	5 Pc Concrete Drill 4, 5, 6, 8, 10 mm
12	T05	1#	T0105101	1-05	5 Pc Tile Drill 4, 5, 6, 8, 10 mm
13	T05	1#	T0105101	1-05	5 Pc Universal Drill 4, 5, 6, 8, 10 mm
14	T01	1#	T0101103	1-05	5 Pc Hex Concrete Drill 4, 5, 6, 8, 10 mm
15	T09	3#	T0309302	5-05	5 Pc Hex Universal Drill 5/32", 3/16", 1/4", 5/16", 3/8" x 6"
16	T19B	3#	T0319B303	1-07	7 Pc Concrete Drill 4, 5, 6, 7, 8, 10, 12 mm
17	T19B	3#	T0319B303	1-07	7 Pc Multipurpose Drill 4, 5, 6, 7, 8, 10, 12 mm
18	T19B	3#	T0319B303	1-07	7 Pc Concrete Drill 4, 5, 6, 7, 8, 10, 12 mm
19	T19	3#	T0319303	2-07	7 Pc Multipurpose Drill 4, 5, 6, 6, 8, 10, 12 mm
20	T14	2#	T0214202	1-08	8 Pc Concrete Drill 3, 4, 5, 6, 7, 8, 9, 10 mm
21	T04	2#	T0204201	1-10	10 Pc Concrete Drill 3, 4, 4, 5, 6, 6.5, 7, 8, 9, 10 mm
22	T07	1#	T0107102	1-05	5 Pc Glass Drills 3, 4, 5, 6, 8 mm
23	T01	1#	T0101103	1-05	5 Pc Hex Glass Drill 3, 4, 5, 6, 8 mm
24	T11	2#	T0211203	1-05	5 Pc short SDS 4 Cut Glass Drill 4, 5, 6, 8, 10 x 110

NO.	Rack	Box	Box No.		For Stone Working
25	T08	3#	T0308301	1-05	5 Pc SDS 5, 6 x 110 mm + 6, 8, 10 x 160 mm
26	T08	3#	T0308301	1-05	5 Pc short SDS 4 Universal Drill 5, 6 x 110 + 6, 8, 10 x 160 mm
27	T08	3#	T0308302	5-05	5 Pc SDS 6, 6, 8, 8, 10 x 160 mm

NO.	Rack	Box	Box No.		For wood working
28	T03	1#	T0103101	2-05	5 Pc Wood Drill 3, 4, 5, 6, 8 mm
29	T01	1#	T0101103	2-05	5 Pc Hex Wood Drill 3, 4, 5, 6, 8 mm
30	T18	1#	T0118106	1-05	5 Pc Wood Drill 4, 5, 6, 8, 10 mm
31	T09	3#	T0309302	1-05	5 Pc Hex Auger Bit 5, 6, 8, 10, 12 x 150 mm
32	T15	2#	T0215202	1-08	8 Pc Wood Drill 3, 4, 5, 6, 7, 8, 9, 10 mm
33	T02	2#	T0202201	1-10	10 Pc Wood Drill 2, 3, 3, 4, 5, 6, 6, 8, 8, 10 mm
34	T08	3#	T0308302	1-05	5 Pc SDS Shank Wood Drill 4, 5, 6, 8, 10 mm
35	T17	3#	T0317302	1-06	6 Pc Flat Wood Drill H 10, 13, 16, 19, 22, 25 mm
36	T17	3#	T0317302	2-06	6 Pc Flat Wood Drill H 3/8", 1/2", 5/8", 3/4", 7/8", 1"
37	T10	1#	T0110104	1-05	5 Pc T Jig Saw Blade (3 x 100 + 2 x 75) Metal
38	T10	1#	T0110104	2-05	5 Pc U Jig Saw Blade (3 x 100 + 2 x 75) Metal
39	T10	1#	T0110104	1-10	10 Pc T Jig Saw Blade (6 x 100 + 4 x 75) Wood
40	T10	1#	T0110104	2-10	10 Pc U Jig Saw Blade (6 x 100 + 4 x 75) Wood
41	T10	1#	T0110104	3-10	10 Pc T Jig Saw Blade (6 x 100 + 4 x 75) Wood/Metal
42	T10	1#	T0110104	4-10	10 Pc U Jig Saw Blade (6 x 100 + 4 x 75) Wood/Metal
43	T10	1#	T0110107A	5-10	10 Pc Jig Saw Blade (10 x 90 mm)
44	T10	1#	T0110107B	6-10	10 Pc Jig Saw Blade (4 x 90 mm, 100 mm + 2 x 75 mm)

NO.	Rack	Box	Box No.		For quick change
1	T01	1#	T0101103		5 Pc Hex DIN
2	T09	3#	T0309302		5 Pc Hex DIN x 6" - For Auger Bit
3	T17	3#	T0317302		6 Pc Hex DIN x 6" - For Flat Wood Drill

D BOX SETS



No.	Box No.	Set	Description
1	D1-103	3 Pc Taper Drill Set	3-14 x 6, 5-20 x 8 , 16-30.5 x 10 mm
2	D1-103	3 Pc Step Drill Set	4-12 x 6, 4-20 x 8 , 6-30 x 10 mm
3	D1-104	4 Pc Deburring Countersink Set	2/5, 5/10, 10/15, 15/20 mm
4	D1-105	5 Pc Rotary Burr Set	45 mm Length D-F-A-E-G
5	D1-106	6 Pc Countersink Set	6.3,8.3, 10.4, 12.4, 16.5, 20.5 mm
6	D1-206	6 Pc Countersink Set	6, 8, 10, 12, 16, 20 mm
7	D1-107	7 Pc Tap Set	M3, 4, 5, 6, 8, 10, 12 mm
8	D1-119	19 Pc Stubby HSS Drill Bit Set	1.0 - 10.0 x 0.5 mm
9	D2-115	15 Pc HSS Drill & Tap Set	Tap:M3-12 + HSS Drill: 2.5 - 10.2 mm + Wrench
10	D2-119	19 Pc HSS Drill Bit Set	1.0 - 10.0 x 0.5 mm
11	D2-121	21 Pc HSS Drill Bit Set	1/16" - 3/8" x 1/64"
12	D3-125	25 Pc HSS Drill Bit Set	1.0 - 13.0 x 0.5 mm
13	D3-129	29 Pc HSS Drill Bit Set	1/16" - 1/2" x x 1/64"
14	D3A-107	7 Pc SDS Hammer Drill Set	5, 6, 8 x 110 + 6, 8, 10, 12 x 160 mm
15	D3A-207	7 Pc SDS Hammer Drill Set	5, 6, 6, 8, 8, 10, 12 x 160 mm

IB BOX SETS



No.	Item No.	Set	Description
1	IB6P0116	16 Pcs HSS Twist Drills set	1, 2, 3, 4, 5, 6, 7, 8 mm + 1.5, 2.5, 3.2, 3.5, 4.2, 4.5, 5.5, 6.5 mm
2	IB6P0716	16 Pcs HSS Twist Drills set	2.0 - 8.0 x 0.5 mm + 3.2, 4.2, 4.8 mm
3	IB7P0125	25 Pcs HSS Twist Drills set	1.0 - 9.0 x 0.5 mm + 3.3, 4.2, 6.8, 10, 10.2, 11, 12, 13 mm
4	IB6P0212	12 Pcs Concrete Drills set	3, 4, 5, 6, 6, 7, 8 mm + 8, 9, 10, 12, 14 mm
5	IB6P0812	12 Pcs Concrete Drills set	3, 4, 5, 5.5, 6, 7 mm + 5, 6, 6.5, 7, 8, 10 mm
6	IB7P0212	12 Pcs Stone Working set	SDS Hammer Drill 4, 5, 6, 8 x 110 + 5, 6, 8, 10, 12 x 160 mm + 75 mm SDS Shanks Bit Holder + 140 mm SDS Shank Flat Chisel 12 mm and Pointed Chisel
7	IB6P0314	14 Pcs Wood Working Drills set	Wood Drills 3, 4, 5, 6, 7, 8, 9, 10 mm + Flat Wood Drill K 10, 13, 16, 19, 22, 25 mm x 152 mm
8	IB7P0310	10 Pcs Flat Wood Drill set	K 10, 12, 14, 16, 18, 20, 22, 24, 25, 26 mm
9	IB7P0913	13 Pcs Wood Working Drills set	Wood Drills 3, 4, 5, 6, 7, 8, 9, 10, 11, 12, 13, 14, 15 mm
10	IB6P0444	44 Pcs Power Bit set	32 Pcs 1" CV Bits + 11 Pcs 2" CV Bits + 52 mm Bit Holder
11	IB7P0460	60 Pcs Power Bit set	40 Pcs 1" CV Bits + 19 Pcs 2" CV Bits + 52 mm Bit Holder
12	IB6P1128	28 Pcs Mixed Drill Bit set	HSS Twist Drills 2, 3, 4, 5, 6, 8 mm + Masonry Drills 4, 5, 6, 8, mm + Wood Drills 3, 4, 5, 6, 8 mm + Screw Guide 120 mm + 8 Pcs 1" CV Bits + 2" CV Bits Ph1, 2 Pz1, 2
13	IB7P0533	33 Pcs Mixed Drill Bit set	HSS Twist Drills 2, 2.5, 3, 4, 5, 6, 8 mm + Masonry Drills 4, 5, 6, 7, 8, mm + Wood Drills 3, 4, 5, 6, 8 mm + Screw Guide 120 mm + Countersink 12.7 x 38 mm + 10 Pcs 25 mm Bits + Screw Nut 6, 8, 10, 13 x 38 mm
14	IB8P0151	51 Pcs Mixed Drill Bit set	13 Pcs HSS Twist Drills 2.0 - 8.0 x 0.5 mm + Concrete Drills 4, 5, 6, 8, 10 mm + Wood Drills 3, 4, 5, 6, 8, 10 mm + 60 mm Bit Holder + Flat Bit A 10, 12, 16, 18, 22, 24 mm + 10 Pcs 1" Bits + 10 Pcs 2" Bits
15	IB6P0628	28 Pcs Quick Release Drills set	Q-HSS 2, 3, 4, 5, 6, 8 mm + Q-Wood 3, 4, 5 mm + Q-Masonry 5, 6, 8 mm + 60 mm Quick Change + 15 Pcs 1" CV Bits
16	IB7P0634	34 Pcs Quick Release Drills set	Q-HSS 3, 3, 4, 4, 5, 5, 6, 8 mm + Q-Wood 3, 4, 5, 6, 8 mm + Q-Masonry 3, 4, 5, 6, 8 mm + Quick Bit Holder + 10 Pcs 25 mm Bits + Countersink 12.7 x 38 mm + Screw Nut 6, 8, 10, 13 x 38 mm



714G0216 16pcs HSS Twist Drills

Set includes:

- 16 Pcs HSS Twist Drills 2, 2, 3, 4, 5, 6, 7, 8 + 1/16", 3/32", 1/8", 5/32", 3/16", 7/32", 1/4", 5/16"



708G0119 19pcs HSS Twist Drills

Set includes:

- 19 Pcs HSS Twist Drills 1.0~10.0 x 0.5mm



708G0221 21pcs HSS Twist Drills

Set includes:

- 21 Pcs HSS Twist Drills 1/16" - 3/8" x 1/64"



708G0315 15pcs HSS Twist Drills

Set includes:

- 15 Pcs HSS Twist Drills 1.5, 1.5, 2, 2, 2.5, 2.5, 3, 3.2, 3.5, 4, 4.5, 5, 6, 8, 10 mm



709G0119 19pcs HSS Twist Drills

Set includes:

- 19 Pcs HSS Twist Drills 1.0~10.0 x 0.5mm



709G0221 21pcs HSS Twist Drills

Set includes:

- 21 Pcs HSS Twist Drills 1/16" - 3/8" x 1/64"



719G0125 25pcs HSS Twist Drills

- Set includes:
- 25 Pcs HSS Twist Drills 1.0 - 13.0 x 0.5 mm



719G0229 29pcs HSS Twist Drills

- Set includes:
- 29 Pcs HSS Twist Drills 1/16" - 1/2" x 1/64"



718G0125 25pcs HSS Twist Drills

- Set includes:
- 25 Pcs HSS Twist Drills 1.0 - 13.0 x 0.5 mm



718G0229 29pcs HSS Twist Drills

- Set includes:
- 29 Pcs HSS Twist Drills 1/16" - 1/2" x 1/64"



701G2426 26pcs HSS Twist Drills

- Set includes:
- 1 Pcs Countersink 15 mm + 25 Pcs M2 HSS Twist Drills 2.0,2.5,3.0x2,3.2,3.5,4.0x2,4.2,4.5, 5.0x2,5.5,6.0,6.5,6.8,7.0,7.5,8.0,8.5,9.0,10.0, 11.0,12.0,13.0 mm



A6NG3R16 16pcs Hex Shank HSS Drill Bit Set

- Set includes:
- 16 Pcs hex shank HSS drill: 1/16", 5/64", 3/32", 7/64", 1/8"x2, 9/64", 5/32", 11/64", 3/16", 13/64", 7/32", 15/64", 1/4", 5/16", 3/8"



718G0912 12pcs SDS Hammer Drill & Chisel Set

Set includes:

- SDS Hammer Drills 5, 6, 8 x 110 + 5, 6, 6.5, 8, 10, 12 x 160 + 75 mm SDS - Bits Holder + SDS Shank Flat Chisel 12 x 140 + Pointed Chisel 10 x 140 mm



718G2112 12pcs SDS Hammer Drill Set

Set includes:

- 12 Pcs SDS Hammer Drills 5, 5, 6, 6, 8, 8, x 110 + 5, 6, 8, 9, 10, 12 x 160 mm



701G3008 8pcs SDS Hammer Drill Set

Set includes:

- 8 Pcs SDS Hammer Drills 5, 6, 8 x 110 + 6, 8, 10, 12 x 160 mm + 75 mm SDS - Bits Holder



A6UG8G15 15pcs Masonry Drill Bit Set

Set includes:

- 15 Pcs Masonry Drills 3, 3, 3, 4, 4, 4, 5, 5, 5, 6, 6, 8, 8, 10, 10 mm



A2AG8H08 8pcs SDS Hammer Drill Bit Set

Set includes:

- 8 Pcs SDS Hammer Drills 5, 6, x 110 mm + 5, 6, 6, 8, 8, 10 x 160 mm



A2AG8H08 8pcs SDS Hammer Drill Bit Set

Set includes:

- 8 Pcs SDS Hammer Drills 5, 6, x 110 mm + 5, 6, 6, 8, 8, 10 x 160 mm



718G1209 9pcs Flat Wood Drills Set

Set includes:

- 8 Pcs "K" 6" Flat Wood Drills 3/8", 1/2", 5/8", 3/4", 7/8", 1", 1-1/8", 1-1/2" + 6" Quick Bit Holder



718G1510 10pcs PTA Set

Set includes:

- 5 Pcs "K" Flat Wood Drills 13,16,19,22,25 mm
5 Pcs Quick Shank Auger Bit 150 mm 5, 6, 8,10,12 mm



701G2806 6pcs 4 Flute Auger Bit Set

Set includes:

- 4 Flute Auger Bit 12, 16, 20, 22, 25, 32 mm



A2KG0L08 8pcs Flat Wood Drill Bit Set

Set includes:

- 8 Pcs "K" Flat Wood Drills 10,13,16,19,22,25,28,32mm



A6HG9J08 8pcs Flat Wood Drill Bit Set

Set includes:

- 8 Pcs "H" Flat Wood Drills 10,13,16,20,22,25,32,38mm



A2HG9J08 8pcs Flat Wood Drill Bit Set

Set includes:

- 8 Pcs "H" Flat Wood Drills 10,13,16,20,22,25,32,38mm



A1AG0129 29pcs Screwdriving Bit Set

Set includes:

- 20 Pcs 25 mm Power Bits + 5 Pcs 50mm Power Bits + 1 Pc 52 mm Quick Release Bit Holder + 3 Pcs Magnetic Screw Nut 8, 10, 13 mm



A1CG0H30 30pcs Screwdriving Bit Set

Set includes:

- 20 Pcs 25mm Power Bits + 9 Pcs 50mm Power Bits + 1 Pc 52 mm Quick Release Bit Holder



A1MG0L25 25pcs Impact Screwdriving Bit Set

Set includes:

- 15 Pcs 25 mm Impact Bits + 9 Pcs 50 mm Impact Bits + 1 Pc 60 mm Quick Change Bit Holder



A2AG0M34 34pcs Screwdriving Bit Set

Set includes:

- 25 mm Power Bits SI 3, 5, 7 Ph, Pz 1, 1, 2, 2, 3, 3 H4, 5, 6 T10, 15, 20, 25, 30, 40 + 2" Bits Ph, Pz 1, 2, 3 + Screw Guide 80 mm + Magnetic Screw Nut 7, 8, 10 mm



708G0634 34pcs PTA Set

Set includes:

- 24 Pcs 1" Power Bits SI3, 5, 7 Ph, Pz 1,1,2,2,3,3 H4, 5, 6 T10, 15, 20, 25, 30, 40 + 2" Bits Ph, Pz 1, 2, 3 + Screw Guide 80 mm + Magnetic Screw Nut 7, 8, 10 mm



718G0764 64pcs PTA Set

Set includes:

- 48 Pcs 1" Bits + 15 Pcs 2" Bits + 1 Pc 52 mm Quick Release Bit Holder



705G0146 46pcs PTA Set

Set includes:

- 6 Pcs Wood Drills 3, 4, 5, 6, 8, 10 mm + 5 Pcs Masonry Drills 4, 5, 6, 8, 10 mm + 13 Pcs HSS Twist Drills 2.0 - 8.0 x 0.5 mm + 6 Pcs Flat Wood Bit K 10, 12, 16, 18, 22, 24 mm + 1 Bit Holder 60 mm + 10 Pcs 25 mm Bit SI4, 6 Ph1, 2, 3, Pz1, 2, 3, T20, 30 + 5 Pcs 50 mm Bit SI 4, Ph1, 2, Pz 1, 2



705G0252 52pcs PTA Set

Set includes:

- Wood Drills 3, 3, 4, 4, 5, 6, 7, 8, 9, 10 + HSS Twist Drills Ti-Coated 1.5, 2, 2.5, 3, 3.2, 3.5, 4, 4.5, 5, 6, 8, 10 mm + Masonry Drills 3, 4, 4.5, 5, 5.5, 6, 6.5, 7, 8, 9, 10 mm + 25 mm Bit SI 4, 6, Ph1, 2, 3 Pz 1, 2, 3 T20, 30, 50 mm Bit SI4, Ph1, 2, Pz1, 2 + 48 mm Magnetic Screw Nut 6, 8, 10 mm + 60 mm Bit Holder Stainless Tube



705G0352 52pcs PTA Set

Set includes:

- Wood Drills 3,4,5,6,8,10 + HSS Twist Drills Ti-Coated 1.5 - 6.5 x 0.5 + 3.3, 4.2 mm + Masonry Drills 5, 5.5, 6, 6.5, 7 mm + 25mm Bit SI 4, 6, Ph1, 2, 3 Pz 1, 2, 3 T20, 30, 50 mm Bit SI4, 6 Ph1, 2, 3 Pz1, 2 + T20, T30 38 mm Screw Nut 6, 8, 10, 13 mm + 60 mm Bit Holder Stainless Tube + Countersink 12.7 x 50 mm + Flat Wood Bit K 13, 19, 25 mm



A3NG2I34 34pcs Drill Bit Set

Set includes:

- 9 Pcs HSS Twist Drills 2, 2.5, 3, 3.5, 4, 4.5, 5, 6, 8 + 8 Pcs Wood Drills 3, 4, 5, 6, 7, 8, 9, 10 mm + 5 Pcs 1" Power Bits + 3 Pcs 2" Power Bits + 1 Pc Magnetic Bit Holder 60 mm + 3 Pcs Flat Wood Bit H 13, 19, 25 mm + 5 Pcs Masonry Drills 4, 5, 6, 7, 8



A6NG2P16 16pcs Drill Bit Set

Set includes:

- 6 Pcs HSS Twist Drills 2, 2.5, 3, 4, 5, 6 + 5 Pcs Masonry Drills 4, 5, 6, 7, 8 + 5 Pcs Wood Drills 3, 4, 5, 6, 8 mm



A4NG2A50 50pcs Drill Bit Set

Set includes:

- 9 Pcs HSS Twist Drills 2, 2.5, 3, 3.5, 4, 4.5, 5, 6, 8 + 4 Pcs Glass Drills 3, 4, 5, 6 + 7 Pcs Wood Drills 3, 4, 5, 6, 7, 8, 10 mm + 6 Pcs Masonry Drills 4, 5, 6, 7, 8 10 mm + 12 Pcs 1" Power Bits + 6 Pcs 2" Power Bits + 5 Pcs Flat Wood Bit K 13, 16, 19, 22, 25 mm + 1 Pc Magnetic Bit Holder 60 mm



Plastic Hammer Cellulose Acetate

Item No.	Dia. - Length
PHAS0022	22 mm
PHAS0027	27 mm
PHAS0032	32 mm
PHAS0040	40 mm
PHAS0050	50 mm
PHAS0060	60 mm



Plastic Hammer TPU

Item No.	Dia. - Length
PHUS0022	22 mm
PHUS0027	27 mm
PHUS0032	32 mm
PHUS0040	40 mm
PHUS0050	50 mm
PHUS0060	60 mm



Gear Puller 2 Arms

Item No.	Length
GPDO0201	6"
GPDO0202	8"
GPDO0223	12"



Gear Puller 3 Arms

Item No.	Length
GPDO0211	6"
GPDO0212	8"
GPDO0233	12"



Armature Bearing Puller

Item No.	Length
GPAD1935	19 - 35 mm
GPAD2455	24 - 55 mm

POWER BIT



S2 or CV, Sand Blasted



S2, Sand Blasted + Color Ring



S2, Ti-coated + Color Ring



S2, Impact, Black oxide + Color Ring



S2+Diamond, Ti-coated + Color Ring



Stainless Steel, Sand Blasted + Color Ring

B2 BOX SETS

Two component (PC+ABS) box



Item No.	Specifications
B2CP0132	32 Pcs Security CV Bit set 25 mm
B2CP1032	32 Pcs Standard CV Bit set 25 mm
B2CP1033	33 Pcs Standard CV Bit set 25 mm

B3 BOX SETS

Three component (PC+TPR+ABS) box



Item No.	Specifications
B3MP0932	32 Pcs Impact Color Ring Bit set 25 mm
B3BP0233	33 Pcs Standard S2 Color Ring Bit set 25 mm
B3EP0333	33 Pcs S2 TITAN Color Ring Bit Set 25 mm

C1 BOX SETS



Item No.	Specifications
C1CP0522	22 Pcs Standard CV Bit Set
C1CP1035	35 Pcs Standard CV Bit Set
C1CP0135	35 Pcs Security CV Bit Set
C1BP0622	22 Pcs Torsion S2 Color Ring Bit Set
C1BP0232	32 Pcs Torsion S2 Color Ring Bit Set
C1BP0235	35 Pcs Torsion S2 Color Ring Bit Set
C1EP0335	35 Pcs Torsion S2 Ti-Coated Color Ring Bit Set
C1EP0422	22 Pcs Torsion S2 Ti-Coated Color Ring Bit Set
C1MP0922	22 Pcs Torsion S2 Color Ring IMPACT Bit Set
C1OP0722	22 Pcs Torsion Diamond Color Ring Bit Set
C1HP0822	22 Pcs Torsion INOX Color Ring Bit Set

U BOX SETS



Item No.	Specifications
UTAPP220	20 Pcs Standard S2 Bit PH2 25mm

BIT SETS



801P1235 35pcs Precision Screwdriver Set

Set includes:

- ⊖ 1, 1.5, 2, 2.5, 3, 3.5, 4
- ⊕ 000, 00, 01
- ⊕ 0, 1
- ⊛ 4, 5, 6, 7
- ⊙ 0.7, 0.9, 1.3, 1.5, 2, 2.5, 3, 4
- ⊛ 8, 9, 10, 15, 20
- ⊙ 3
- ⊙ 2.6
- ⊙ 0



801P1327 27pcs Multi-Purpose Precision Driver Set

Set includes:

- ⊖ 2, 3, 4, 5x50mm
- ⊛ 5, 6, 7, 8, 9, 10, 15x50mm
- ⊕ 00, 0, 1, 2x50mm
- ⊙ 2.5, 3, 3.5, 4, 4.5, 5x50mm
- ⊙ 4, 4.5, 5, 5.5, 6 & Accessories



801P1417 17pcs Ring Bits Set

Set includes:

- ⊕ 1, 2x25mm, 1, 2x120mm
- ⊕ 1, 2x25mm, 1, 2x120mm
- ⊛ 10, 15, 20, 25x25mm, 10, 15, 20, 25x120mm + 60mm Bit Holder



801P1525 25pcs Security Ring Bits Set

Set includes:

- ⊛ 20, 25, 27, 30, 40x25mm, 8, 10, 15x50mm
- ⊙ 4, 5, 6x25mm, 2, 2.5, 3x50mm
- ⊙ 4, 6, 8, 10x50mm
- ⊙ 1, 2, 3x50mm
- ⊕ 6, 8, 10x50mm
- + 60mm Bit Holder



801P1616 16pcs Security Ring Bits Set

Set includes:

- 16pcs ⊛ ⊙ x150mm



802P0432 32pcs Smartphone & Tablet Kit

Set includes:

- ⊛ TTX6 x 2
- ⊖ SL1.5, 2, 2.5
- ⊙ H1.5 x 2, 2.0
- ⊕ PH000, 00, 0, 1
- ⊙ 0, 0.6
- ⊛ T4, 5, 6, 8, 10
- ⊙ 3 mm
- ⊙ 0.8 x 2, 1.2, 1.5
- 1pc Suction Cup; 1pc Tweezers Clamp; 1pc Triangular Mediator; 2pc Plastic Tools; 1pc Adaptor H6.35 - H4; 1pc Magnetic Screw Handle; 1pc Extension Bar.

806 BOX



BACK



FRONT



SIDE



806P0132 32pcs PTA Set

Needle file

- Made of high grade alloy steel, hardened and tempered HRC62 min;
- Supply size: 2x100mm,3x140mm,4x160mm,5x180mm


Equaling




Square




Barrette




Knife



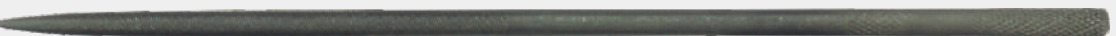

Crossing




Round




Oval




Half round




Tri-angle




Flat



Riffler

- Made of high grade alloy steel, hardened and tempered HRC62 min;
- Supply size: 3x140mm,3x180mm,5x180mm



6pc Needle file set

- Made of high grade alloy steel, hardened and tempered HRC62 min;
- Shape: Half round, round, flat, square, equalling, tri-angle;
- Plastic rack packing.

Item	Size
NFPX1306	3x140mm

6pc Needle file set

- Made of high grade alloy steel, hardened and tempered HRC62 min;
- Shape: Half round, round, flat, square, equalling, tri-angle;
- Plastic rack packing.

Item	Size
NFPX1406	4x160mm



6pc Needle file set

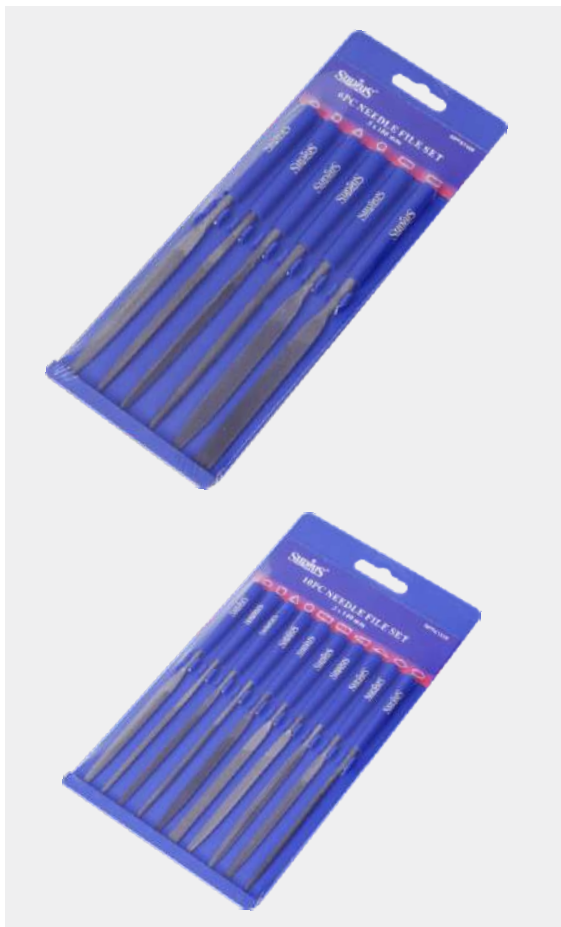
- Made of high grade alloy steel, hardened and tempered HRC62 min;
- Shape: Half round, round, flat, square, equalling, tri-angle;
- Plastic rack packing.

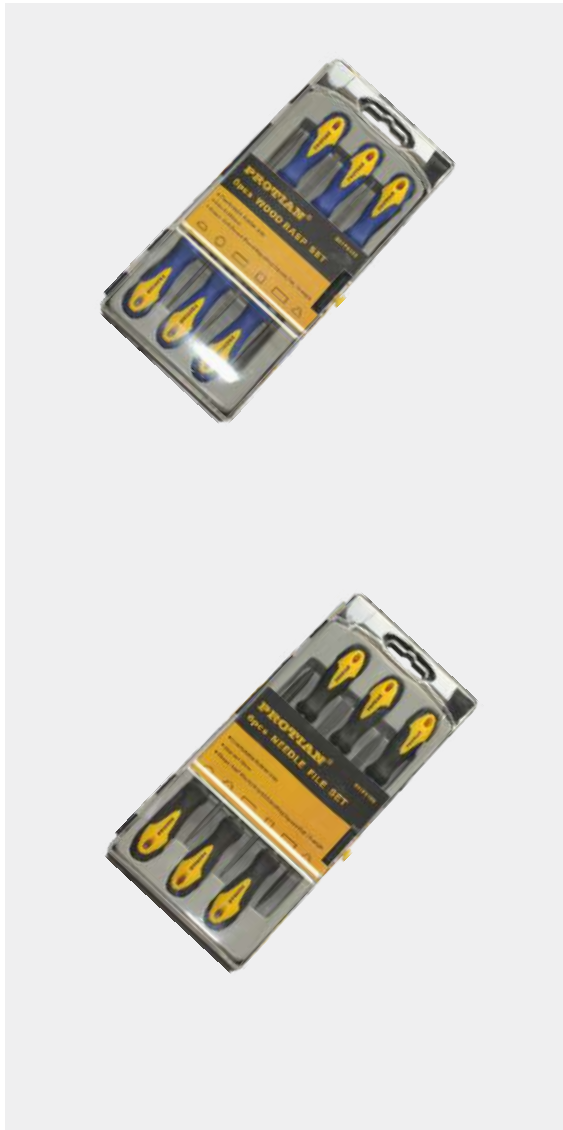
Item	Size
NFPX1506	5x180mm

10pc Needle file set

- Made of high grade alloy steel, hardened and tempered HRC62 min;
- Shape: Half round, round, flat, square, equalling, tri-angle, oval, crossing, barrette, knife;
- Plastic rack packing.

Item	Size
NFPX1310	3x140mm





6pc Needle Wood Rasp Set

- Made of carbon steel;
- Shape: Half round, round, flat, square, equalling, tri-angle;
- Patented double color soft handle;
- Plastic box packing;
- Patented box.

Item	Size
801P0306	3x150mm

6pc Needle file set

- Made of high grade alloy steel, hardened and tempered HRC62 min;
- Shape: Half round, round, flat, square, equalling, tri-angle;
- Patented double color soft handle;
- Plastic box packing.
- Patented box.

Item	Size
801P0106	3x150mm
802P0106	4x170mm
803P0106	5x190mm

6pc Needle file set

- Made of high grade alloy steel, hardened and tempered HRC62 min;
- Shape: Half round, round, flat, square, equalling, tri-angle;
- Mould plastic handle;
- Pouch packing.

Item	Size
NFKQ1306	3x150mm
NFKQ1406	4x170mm
NFKQ1506	5x190mm





6pc Needle file set

Made of high grade alloy steel, hardened and tempered HRC62 min;
Shape: Half round, round, flat, square, equalling, tri-angle;
Double color soft handle;
Plastic box packing.

Item	Size
NFRP1306	3x150mm

Diamond needle file

- Made of high grade alloy steel, chrome plated and diamond coated 150 grit;
Supply size: 3x140x50mm, 4x160x50mm, 5x180x70mm



Diamond needle file



6pc Diamond needle file set

- Made of high grade alloy steel,chrome plated and diamond coated 150 grit;
- Shape: Half round, round,flat, square, equalling, tri-angle;
- Patented double color soft handle;
- Pouch packing.

Item	Size
DFGQ1306	3x150x50mm
DFGQ1406	4x170x50mm
DFGQ1506	5x190x70mm

6pc Diamond needle file set

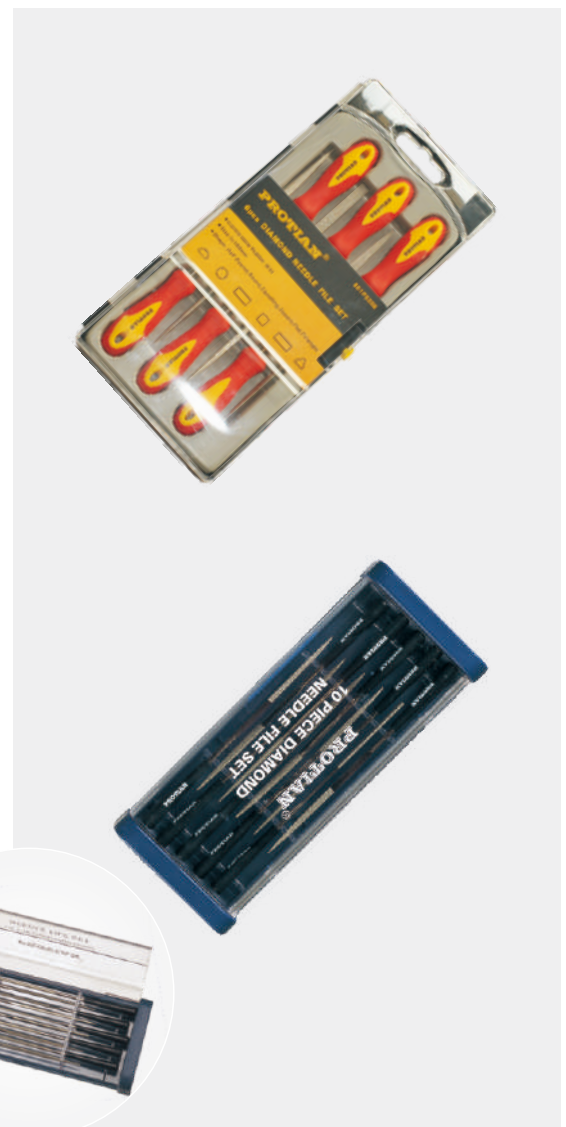
- Made of high grade alloy steel,chrome plated and diamond coated 150 grit;
- Shape: Half round, round,flat, square, equalling, tri-angle;
- Patented double color soft handle;
- Plastic box packing.
- Patented box.

Item	Size
801P0206	3x150x50mm
802P0206	4x170x50mm
803P0206	5x190x70mm

10pc Diamond needle file set

- Made of high grade alloy steel,chrome plated and diamond coated 150 grit;
- Shape: Half round, round,flat, square, equalling, tri-angle;
- Plastic handle;
- Plastic box packing.

Item	Size
DFPP1310	3x150x50mm



Engineer file with soft handle

- Made of T12 steel, hardened and tempered;



Flat file

Item	Size		Cut (a)		
SGF00a04	4"	100mm	1	2	3
SGF00a06	6"	150mm	1	2	3
SGF00a08	8"	200mm	1	2	3
SGF00a10	10"	250mm	1	2	3
SGF00a12	12"	300mm	1	2	3
SGF00a14	14"	350mm	1	2	3



Hand file

Item	Size		Cut (a)		
SGD00a04	4"	100mm	1	2	3
SGD00a06	6"	150mm	1	2	3
SGD00a08	8"	200mm	1	2	3
SGD00a10	10"	250mm	1	2	3
SGD00a12	12"	300mm	1	2	3
SGD00a14	14"	350mm	1	2	3



Round file

Item	Size		Cut (a)		
SGR00a04	4"	100mm	1	2	3
SGR00a06	6"	150mm	1	2	3
SGR00a08	8"	200mm	1	2	3
SGR00a10	10"	250mm	1	2	3
SGR00a12	12"	300mm	1	2	3
SGR00a14	14"	350mm	1	2	3



Half round file

Item	Size		Cut (a)		
SGH00a04	4"	100mm	1	2	3
SGH00a06	6"	150mm	1	2	3
SGH00a08	8"	200mm	1	2	3
SGH00a10	10"	250mm	1	2	3
SGH00a12	12"	300mm	1	2	3
SGH00a14	14"	350mm	1	2	3



Tri-angle file

Item	Size		Cut (a)		
SGT00a04	4"	100mm	1	2	3
SGT00a06	6"	150mm	1	2	3
SGT00a08	8"	200mm	1	2	3
SGT00a10	10"	250mm	1	2	3
SGT00a12	12"	300mm	1	2	3
SGT00a14	14"	350mm	1	2	3



Square file

Item	Size		Cut (a)		
SGS00a04	4"	100mm	1	2	3
SGS00a06	6"	150mm	1	2	3
SGS00a08	8"	200mm	1	2	3
SGS00a10	10"	250mm	1	2	3
SGS00a12	12"	300mm	1	2	3
SGS00a14	14"	350mm	1	2	3



Mill file

Item	Size	
WGM00006	6"	150mm
WGM00008	8"	200mm
WGM00010	10"	250mm
WGM00012	12"	300mm
WGM00014	14"	350mm



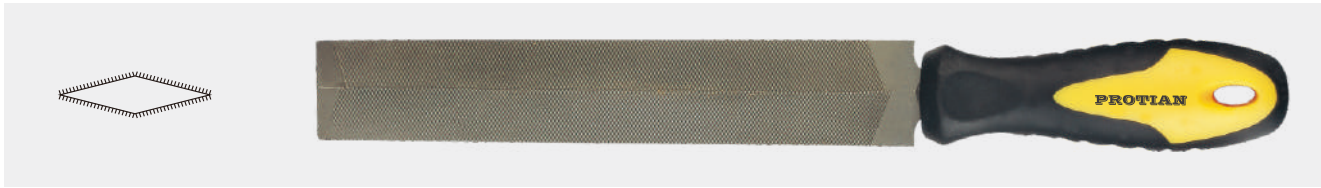
Mill saw, 1 round edge

Item	Size	
WGH00006	6"	150mm
WGH00008	8"	200mm
WGH00010	10"	250mm
WGH00012	12"	300mm
WGH00014	14"	350mm



Double edge file

Item	Size	
WGD00005	5"	125mm



Feather edge file

Item	Size	
WGF00004	4"	100mm
WGF00005	5"	125mm
WGF00006	6"	150mm
WGF00008	8"	200mm



Feather edge file DE

Item	Size	
WGW00004	5"	125mm
WGW00005	6"	150mm



Corrugating file

Item	Size	
SGC00006	6"	150mm
SGC00008	8"	200mm
SGC00010	10"	250mm
SGC00012	12"	300mm
SGC00014	14"	350mm



Extra slim taper file

Item	Size	
WGE00004	4"	100mm
WGE00005	5"	125mm
WGE00006	6"	150mm
WGE00007	7"	180mm
WGE00008	8"	200mm



Slim taper file

Item	Size	
WGS00003	3"	75mm
WGS00004	4"	100mm
WGS00005	5"	125mm
WGS00006	6"	150mm
WGS00007	7"	180mm
WGS00008	8"	200mm



Heavy taper file

Item	Size	
WGT00004	4"	100mm
WGT00005	5"	125mm
WGT00006	6"	150mm
WGT00007	7"	180mm
WGT00008	8"	200mm



Band saw blunt file

Item	Size	
WGB00004	4"	100mm
WGB00005	5"	125mm
WGB00006	6"	150mm
WGB00007	7"	180mm
WGB00008	8"	200mm



Chain saw file

Item	Size		Dia(a)				
WGC00a06	6"	150mm	3.5(1)	4.0(2)	4.8(3)		
WGC00a08	8"	200mm	4.0(1)	4.8(2)	5.5(3)	4.5(4)	5.2(5)
WGC00a10	10"	250mm	4.8(1)	5.5(2)	5.2(3)		



Knife file

Item	Size	
SGK00008	8"	200mm
SGK00010	10"	250mm
SGK00012	12"	300mm
SGK00014	14"	350mm



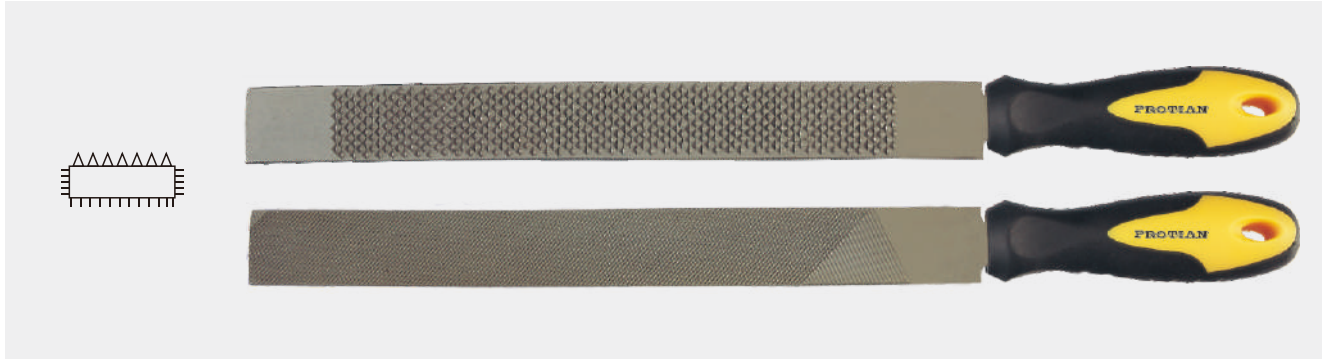
Half round aluminium file

Item	Size	
PGR00008	8"	200mm
PGR00010	10"	250mm
PGR00012	12"	300mm



Aluminium flat file

Item	Size	
PGA00008	8"	200mm
PGA00010	10"	250mm
PGA00012	12"	300mm
PGA00014	14"	350mm



Horse hoof file

Item	Size	
PGH00012	12"	300mm
PGH00014	14"	350mm



Double hole aluminium file

Item	Size	
PBH00008	8"	200mm
PBH00010	10"	250mm
PBH00012	12"	300mm
PBH00014	14"	350mm



Farmer's own file

Item	Size	
PBF00008	8"	200mm
PBF00010	10"	250mm



Four-purpose half round steel carpenter's file

Item	Size	
PBP00008	8"	200mm



Double ender file

Item	Size	
WBD00004	4"	100mm
WBD00005	5"	125mm
WBD00006	6"	150mm
WBD00008	8"	200mm



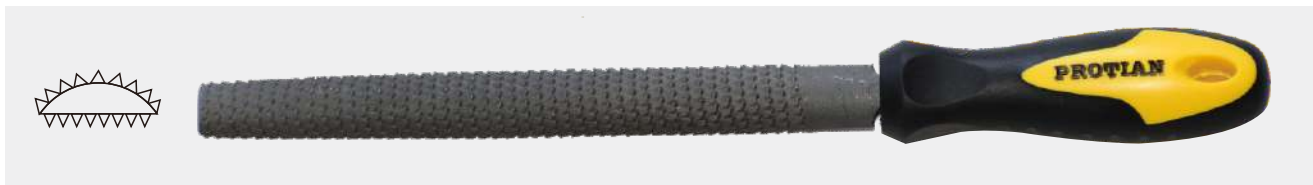
Auger file

Item	Size	
PBA00006	6-1/2"	165mm



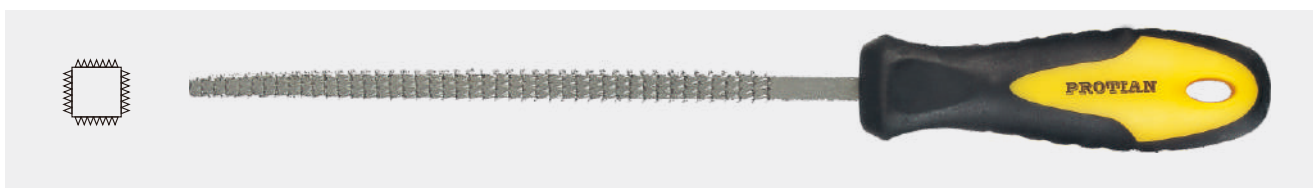
Flat wood rasp

Item	Size	
RGD00006	6"	150mm
RGD00008	8"	200mm
RGD00010	10"	250mm
RGD00012	12"	300mm



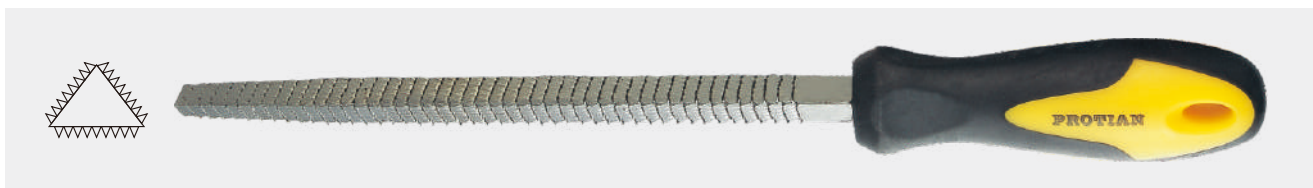
Half round wood rasp

Item	Size	
RGH00006	6"	150mm
RGH00008	8"	200mm
RGH00010	10"	250mm
RGH00012	12"	300mm



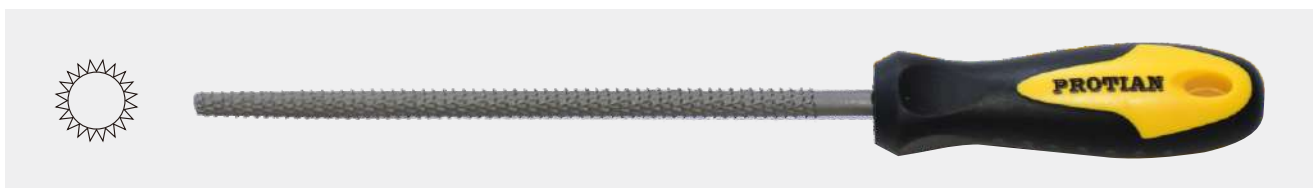
Square wood rasp

Item	Size	
RGS00006	6"	150mm
RGS00008	8"	200mm
RGS00010	10"	250mm
RGS00012	12"	300mm



Tri-angle wood rasp

Item	Size	
RGT00006	6"	150mm
RGT00008	8"	200mm
RGT00010	10"	250mm
RGT00012	12"	300mm



Round wood rasp

Item	Size	
RGR00006	6"	150mm
RGR00008	8"	200mm
RGR00010	10"	250mm
RGR00012	12"	300mm

"F" series handle (patented)

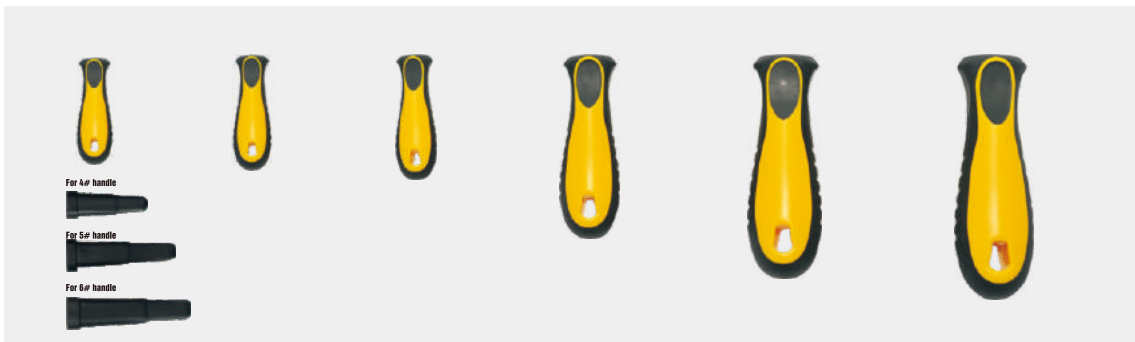


Handle NO.	File size	Handle length
1"	Needle file 3mm	55mm
2"	Needle file 4mm	60mm
3"	Needle file 5mm; Engineer file 4"	65mm
4"	Engineer file 6"; Wood rasp 6"	95mm
5"	Engineer file 8",10"; Wood rasp 8",10"	115mm
6"	Engineer file 12",14"; Wood rasp 12"	140mm

"G" series handle (patented)



"N" series handle (patented)



Handle NO.	File size	Handle length
1"	Needle file 3mm	55mm
2"	Needle file 4mm	60mm
3"	Needle file 5mm; Engineer file 4"	65mm
4"	Engineer file 6"; Wood rasp 6"	95mm
5"	Engineer file 8",10"; Wood rasp 8",10"	115mm
6"	Engineer file 12",14"; Wood rasp 12"	125mm

"R" series handle (patented)



Handle NO.	File size	Handle length
4"	Engineer file 6"; Wood rasp 6"	95mm
5"	Engineer file 8",10"; Wood rasp 8",10"	117mm

"NA" series handle (patented)



Handle NO.	File size	Handle length
4"	Engineer file 6"; Wood rasp 6"	95mm
5"	Engineer file 8",10"; Wood rasp 8",10"	117mm

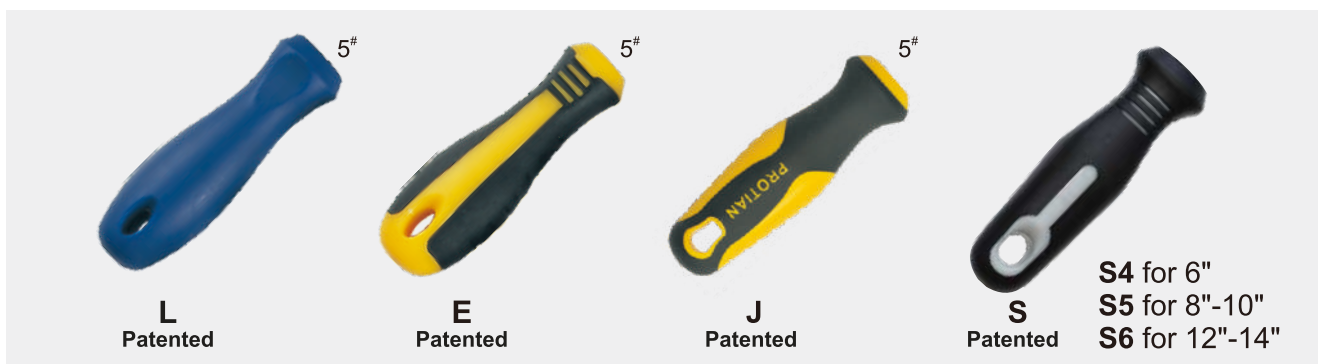
"H" series handle



Handle for needle files



Handle for steel files & wood rasps





959P0105 5pc 6" Engineer file set

- Made of T12 steel, hardened and tempered;
- Shape: hand, round, half round, tri-angle, square;
- Patented double color soft handle;
- Plastic box packing.



909P0105 5pc 8" Engineer file & wood rasp set

- Engineer file made of T12 steel, hardened and tempered;
- Set includes: 3pc 8" engineer file hand, round, half round;
- 2pc 8" wood rasp round, half round;
- Patented double color soft handle;
- Plastic box packing.

909P0205 5pc 8" Engineer file set

- Made of T12 steel, hardened and tempered;
- Shape: hand, round, half round, tri-angle, square;
- Patented double color soft handle;
- Plastic box packing.

909P0305 5pc 8" Wood rasp set

- Shape: hand, round, half round, tri-angle, square;
- Patented double color soft handle;
- Plastic box packing.



909P0504 4pc 8" Engineer file set

- Made of T12 steel, hardened and tempered;
- Shape: hand, round, half round, tri-angle;
- Patented double color soft handle;
- Plastic box packing.



909P0409 9pc Engineer file & needle file set

- Engineer file made of T12 steel, hardened and tempered;
- Set includes: 3pc 8" engineer file hand, round, half round;
- 3x150mm needle file round, half round, flat, square, equalling, tri-angle;
- Patented double color soft handle;
- Plastic box packing.



919P0106 6pc 8" Engineer file & wood rasp set

- Engineer file made of T12 steel, hardened and tempered;
- Set includes: 4pc 8" engineer file hand, round, half round, tri-angle; 2pc 8" wood rasp round, half round;
- Patented double color soft handle;
- Plastic box packing.

919P0206 6pc 8" Engineer file & wood rasp set

- Engineer file made of T12 steel, hardened and tempered;
- Set includes: 3pc 8" engineer file hand, round, half round; 3pc 8" wood rasp hand, round, half round;
- Patented double color soft handle;
- Plastic box packing.



919P0306 6pc 8" Engineer file & brush set

- Engineer file made of T12 steel, hardened and tempered;
- Set includes: 5pc 8" engineer file hand, round, half round, tri-angle, square; 1pc 220mm brush;
- Patented double color soft handle;
- Plastic box packing.

919P0415 15pc Engineer file & needle file set

- Engineer file made of T12 steel, hardened and tempered;
- Set includes: 3pc 8" engineer file hand, round, half round; 6pc 3x150mm needle file round, half round, flat, square, equalling, tri-angle; 6pc 3x150mm wood rasp needle file round, half round, flat, square, equalling, tri-angle;
- Patented double color soft handle;
- Plastic box packing.



929P0107 7pc 8" Engineer file & wood rasp set

- Engineer file made of T12 steel, hardened and tempered;
- Set includes: 4pc 8" engineer file hand, round, half round, tri-angle;
- 3pc 8" wood rasp hand, round, half round;
- Patented double color soft handle;
- Plastic box packing.



939P0211 11pc Engineer file set

- Engineer file made of T12 steel, hardened and tempered;
- Set includes: 5pc 4" engineer file hand, round, half round, tri-angle, square;
- 5pc 8" engineer file hand, round, half round, tri-angle, square;
- 1pc four-purpose half round steel carpenter's file;
- Patented double color soft handle;
- Plastic box packing.

939P0310 10pc Engineer file & brush set

- Engineer file made of T12 steel, hardened and tempered;
- Set includes: 3pc 4" engineer file hand, round, half round;
- 3pc 6" engineer file hand, round, half round;
- 3pc 8" engineer file hand, round, half round;
- 1pc 220mm brush;
- Patented double color soft handle;
- Plastic box packing.



949P0109 9pc 8" Engineer file & wood rasp set

- Engineer file made of T12 steel, hardened and tempered;
- Set includes: 5pc 8" engineer file hand, round, half round, tri-angle, square;
- 4pc 8" wood rasp hand, round, half round, tri-angle;
- Patented double color soft handle;
- Plastic box packing.

Skin Blister Packing



Plastic Rack Packing

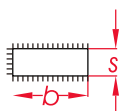
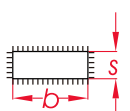
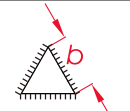
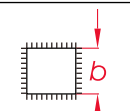
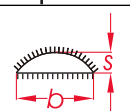
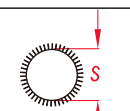


Pouch/PVC Hanger Packing



DIN standard 7261, 8349

DIN7261

Length(mm)		100	150	200	250	300	350
		± 2	± 2	± 3	± 3	± 4	± 4
 Hand	$b \times s$	12 x 2.5	16 x 4	20 x 5	25 x 6	30 x 6.5	35 x 7.5
	Cut	1,2,3	1,2,3	1,2,3	1,2,3	1,2,3	1,2,3
 Flat	$b \times s$	12 x 2.5	16 x 4	20 x 5	25 x 6	30 x 6.5	35 x 7.5
	Cut	1,2,3	1,2,3	1,2,3	1,2,3	1,2,3	1,2,3
 Tri-angle	b	8	11	15	17.5	20	24
	Cut	1,2,3	1,2,3	1,2,3	1,2,3	1,2,3	1,2,3
 Square	b	4	6	8	10	12	15
	Cut	1,2,3	1,2,3	1,2,3	1,2,3	1,2,3	1,2,3
 Half round	$b \times s$	10.5 x 3	16 x 4.5	20 x 6	25 x 7	30 x 8.5	35 x 10
	Cut	1,2,3	1,2,3	1,2,3	1,2,3	1,2,3	1,2,3
 Round	s	4	6	7.5	9.5	12	15
	Cut	1,2,3	1,2,3	1,2,3	1,2,3	1,2,3	1,2,3

Note: $b: \pm 1\text{mm}$
 $s: \pm 0.5\text{mm}$ Length $\leq 250\text{mm}$
 $\pm 1\text{mm}$ Length $> 250\text{mm}$

DIN8349

Tooth/cm

Length(mm)		100	150	200	250	300	350
		Cut no.					
Tolerance $\pm 8\%$	1 st cut Bastard	17	13	10	9	8	7
	2 nd cut Second	22	18	14	12	11	10
	3 rd cut Smooth	28	22	18	16	14	13

801P0314 14pcs DRILL+TAP+DIE SET

- Alloy steel tap & die;
- Plastic box packing;
- Set includes: 4pc HSS drill: 2.5,3.3,4.2,5.0mm;
4pc tap:M3,M4,M5,M6;
4pc die:M3,M4,M5,M6;
1pc tap wrench;
1pc die holder.
- Patented box.



802P0312 12pcs TAP & DIE SET

- Alloy steel tap & die;
- Plastic box packing;
- Set includes: 5pc tap:M3,M4,M5,M6,M8;
5pc die:M3,M4,M5,M6,M8;
1pc tap wrench;
1pc die holder.
- Patented box.

803P0317 17pcs TAP & DIE SET

- Alloy steel tap & die;
- Plastic box packing;
- Set includes: 7pc tap:M3,M4,M5,M6,M8,M10,M12;
7pc die:M3,M4,M5,M6,M8,M10,M12;
1pc tap wrench;1pc die holder;
1pc thread gauge.
- Patented box.



804P1021/2021 21pcs TAP & DIE SET

- 804P1021: carbon steel; 804P2021: alloy steel;
Set includes:8pc tap:3x0.5, 4x0.7, 5x0.8, 6x1.0, 7x1.0, 8x1.25,
10x1.5, 12x1.75mm+ tap 1/8"NPT;
8pc die: sizes as metric taps + die 1/8"NPT;
1pc tap wrench;1pc die holder;
1pc screwdriver.

805P1039/2039 39pcs TAP & DIE SET

- 805P1039: carbon steel;
- 805P2039: alloy steel;
- Set includes:16pc tap:3x0.5, 3x0.6, 4x0.7, 4x0.75, 5x0.8, 5x0.9,
6x0.75, 6x1.0, 7x0.75, 7x1.0, 8x1.0,8x1.25, 10x1.25,
10x1.5, 12x1.5, 12x1.75mm+ tap 1/8"NPT;
16pc die: sizes as metric taps + die 1/8"NPT;
1pc tap wrench;1pc die holder; T-tap wrench;
1pc screwdriver;1pc screwpitch;



Item NO.	Size	Range	Length(mm)
TWF00100	N0	M1~M6	130
TWF00110	N1	M3~M8	180
TWF00115	N1.5	M3~M12	210
TWF00120	N2	M4~M14	280
TWF00130	N3	M6~M20	380
TWF00140	N4	M9~M27	500

Item NO.	Size(mm)	Length(mm)
DHF00254	25.4	210
DHF00381	38.1	336
DHF00508	50.8	490
DHF00635	63.5	596

Item NO.	Size	Range	Length(mm)
TWD00001	N1	M1~M10	175
TWD00002	N2	M4~M12	280
TWD00003	N3	M5~M20	380
TWD00004	N4	M9~M27	470

Item NO.	Size(inch)	Length(mm)
DHA00254	1"x3/8"	210
DHA00333	1-5/16"x7/16"	265
DHA00381	1-1/2"x1/2"	310
DHA00508	2"x5/8"	500

Item NO.	Size	Range	Length(mm)
TTR00101	1#	M3~M6	86
TTR00102	2#	M6~M12	110
TTR00103	3#	M3~M6	255
TTR00104	4#	M6~M12	317
TTR00105	5#	M3~M10	110



DEB00254/381 DIE EXTENSION

- Carbon steel, Precision casting, Painted;
- Sizes: 1#(25.4mm) and 2#(38.1mm).

FORGED TAP WRENCH

- For professional;
- Carbon steel, Forged body, Painted;
- Sizes: N0 to N4.



FORGED DIE HOLDER

- For professional;
- Carbon steel, Forged body, Painted;
- Sizes: 25.4, 38.1, 50.8, 63.5mm.



TAP WRENCH DIN1814

- For DIY;
- Carbon steel body;
- Sizes: N1 to N4.



T-RATCHET TAP WRENCH

- Carbon steel, Chrome plated;
- Sizes: 1#,2#,3#,4#,5#.

TDT00102/203/304 MORSE TAPER EXTRACTOR

- Carbon steel, Precision casting, Black oxide;
- Sizes: 1-2,2-3 and 3-4.





B1MP0125 25pcs HSS DRILL, TAP & DIE SET

- Alloy steel tap & die;
- Plastic box packing;
- Set includes: 7 pcs HSS drill: 2.5, 3.3, 4.2, 5.0, 6.8, 8.5, 10.2 mm
7 pcs tap: M3, M4, M5, M6, M8, M10, M12
7 pcs die: M3, M4, M5, M6, M8, M10, M12
1 pc tap wrench
1 pc die holder
1 pc Thread Gauge
1 pc Screwdriver



B1HP0130 30pcs HSS DRILL, TAP & DIE SET

- HSS steel tap & die;
- Plastic box packing;
- Set includes: 7 pcs HSS drill: 2.5, 3.3, 4.2, 5.0, 6.8, 8.5, 10.2 mm
14 pcs HSS tap: 2 x M3, M4, M5, M6, M8, M10, M12
7 pcs HSS die: M3, M4, M5, M6, M8, M10, M12
1 pc tap wrench
1 pc die holder



B1HP0132 32pcs HSS DRILL, TAP & DIE SET

- HSS steel tap & die;
- Plastic box packing;
- Set includes: 21 pcs HSS tap: 3 x M3, M4, M5, M6, M8, M10, M12
7 pcs HSS die: M3, M4, M5, M6, M8, M10, M12
1 pc tap wrench
1 pc die holder
1 pc Thread Gauge
1 pc Screwdriver



TPDR1031 31pcs HSS TAP & DIE SET

- HSS steel tap & die;
- Iron box packing;
- Set includes: 21 pcs HSS tap: 3 x M3, M4, M5, M6, M8, M10, M12
7 pcs HSS die: M3, M4, M5, M6, M8, M10, M12
1 pc tap wrench
1 pc die holder
1 pc countersink 15mm



PNMD0201 Mini Plane

• Blade 25mm, Body Length 86mm

PNCE0551 Wood Plane

• Blade 35mm, Body Length 135mm



PNCE0901 Wood Plane

• Blade 44mm, Body Length 230mm

PNCE0601 Wood Plane

• Blade 40mm, Body Length 160mm



PNCE0751 Wood Plane

• Blade 40mm, Body Length 190mm

PNRE0025 Rebate Plane

• Blade 25mm, Body Length 95mm



PNEE0551 Wood Plane

• Blade 35mm, Body Length 140mm



PNMD0101 Mini plane

- 3"x1" Trimming plane with alloy steel cutting blade
- For trimming and fine finishing of wood surface.
- Fully adjustable cutter is easily sharpened.
- Blister card packing.



PNEO2201 Wood plane 2#

- Blade size x body size: 1-5/8"x7" (42mmx175mm)
- Grey cast iron body with precision milled base and face.
- Fully adjustable alloy steel blade hardened, tempered and fully ground.
- Color box packing.



PNEO2202 Wood plane 2#

- Blade size x body size: 1-5/8"x7" (42mmx175mm)
- Grey cast iron body with precision milled base and face.
- Fully adjustable alloy steel blade hardened, tempered and fully ground.
- Color box packing.



PNEO2203 Wood plane 2#

- Blade size x body size: 1-5/8"x7" (42mmx175mm)
- Grey cast iron body with precision milled base and face.
- Fully adjustable alloy steel blade hardened, tempered and fully ground.
- Color box packing.



PNEO2204 Wood plane 2#

- Blade size x body size: 1-5/8"x7" (42mmx175mm)
- Grey cast iron body with precision milled base.
- Fully adjustable alloy steel blade hardened, tempered and fully ground.
- Color box packing.



PNEO2205 Wood plane 2#

- Blade size x body size: 1-5/8"x7" (42mmx175mm)
- Grey cast iron body with precision milled base.
- Fully adjustable alloy steel blade hardened, tempered and fully ground.
- Color box packing.



PNEO0301 Wood plane 3#

- Blade size x body size: 1-3/4"x9-5/8" (45mmx245mm)
- Grey cast iron body with precision milled base and face.
- Fully adjustable alloy steel blade hardened, tempered and fully ground.
- Plastic handle Plastic handle and guidance knob for user comfort.
- Color box packing.

PNEO0041 WOOD PLANE 4#

- Blade width x body length:2 " (50mmx247mm)
- Grey cast iron body with precision milled base and face.
- Fully adjustable alloy steel blade hardened,tempered and fully ground.
- Plastic handle and guidance knob for user comfort.
- Color box packing.



PNEO0042 WOOD PLANE 4#

- Blade width x body length:2 " x9-3/4 " (50mmx247mm)
- Grey cast iron body with precision milled base and face.
- Fully adjustable alloy steel blade hardened,tempered and fully ground.
- Wooden handle and guidance knob for user comfort.
- Color box packing.

PNEO0043 WOOD PLANE 4#

- Blade width x body length:2 " x9-3/4 " (50mmx247mm)
- Grey cast iron body with precision milled base and face.
- Fully adjustable alloy steel blade hardened,tempered and fully ground.
- Double color soft handle and guidance knob for user comfort.
- Color box packing.



PNEO0051 WOOD PLANE 5#

- Blade width x body length:2 " x14 " (50mmx355mm)
- Grey cast iron body with precision milled base and face.
- Fully adjustable alloy steel blade hardened,tempered and fully ground.
- Plastic handle and guidance knob for user comfort.
- Color box packing.

PNEO0052 WOOD PLANE 5#

- Blade width x body length:2 " x14 " (50mmx355mm)
- Grey cast iron body with precision milled base and face.
- Fully adjustable alloy steel blade hardened,tempered and fully ground.
- Wooden handle and guidance knob for user comfort.
- Color box packing.





SpokeShave

- Durable case iron body, high carbon heat treated steel blade;
- Designed for curved work, such as shaping chair seats and legs.
- Cutters are fully adjustable for depth of cut and thickness of shavings;
- Cutter width: 2"(51mm);
- Blades are replaceable;
- Double blister card packing.

Item	Shape
SSCE0051	Curved base
SSFE0051	Flat base



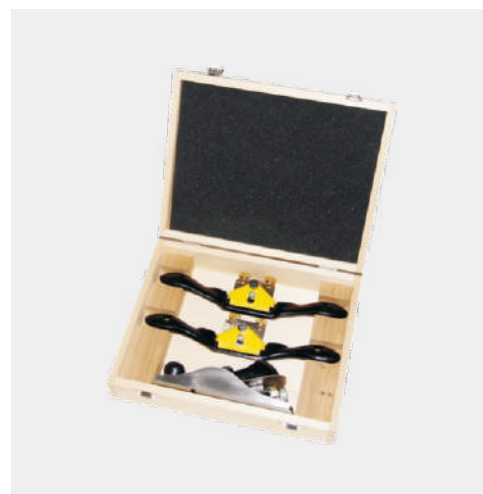
PNME0101 Mini plane

- 3"x1" Trimming plane with alloy steel cutting blade
- For trimming and fine finishing of wood surface.
- Fully adjustable cutter is easily sharpened.
- Double blister card packing.



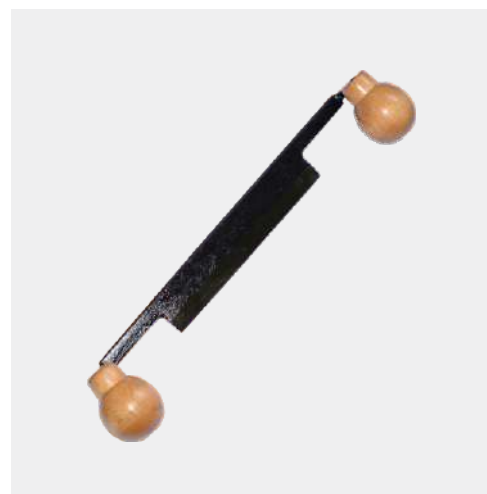
PNEE2203 Wood plane 2#

- Blade size x body size: 1-5/8"x7" (42mmx175mm)
- Grey cast iron body with precision milled base and face.
- Fully adjustable alloy steel blade hardened, tempered and fully ground.
- Color box packing.



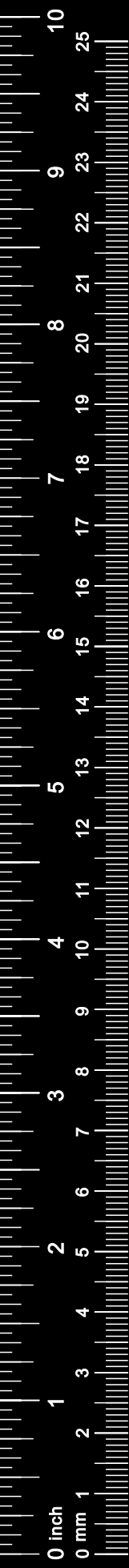
PSSN0103 3pc spokeshave & mini block plane set

- Set includes: 1pc flat base spokeshave & 1pc curved base spokeshave for curved work.
- 1pc mini block plane 2# for plane work.
- Wooden box packing.



SSB00158 SpokeShave

- Blade size: 33x158mm, Body length: 329mm



**PRO-QUALITY
TOOLS**

**宁波天工巨星工具有限公司
NINGBO TIANGONG GREAT STAR TOOLS CO.,LTD.**

厂部(Factory) 出口部(Export Dept.)

地址(ADD): 宁波市下应街道虹麓路527号
527# Honglu Road, Xiaying Street, Ningbo China

地址(ADD): 宁波东钱湖工业园区上杨路12号
12# Shangyang Road Dongqianhu Industrial Zone ,Ningbo China

邮编(Zip Code): 315104

邮编(Zip Code): 315121

电话(TEL): 0086-574-8849 1201

电话(TEL): 0086-574-2882 2977 8836 6818

传真(FAX): 0086-574-8849 1688

传真(FAX): 0086-574-8836 6819

E-mail:protian@protian.cn

Http://www.chinatiangong.com

Http://www.protian-suplus.cn